

# WV-S3131L

2MP (1080p) Indoor Compact Dome Network Camera

## Compact & simple design multifunction camera

The WV-S3131L is a compact & simple design multifunction camera that achieves high visibility even under extreme conditions and can be placed in a small space without damaging the landscape.



- 2MP (1080p) 1080p up to 60fps
- iA (intelligent Auto)
- Extreme Super Dynamic 144dB
- Color night vision (0.0019 to 0.03 lx)
- H.265 Smart Coding
- Built-in IR LED
- Corridor mode (90 degrees or 270 degrees in image rotation)
- i-VMD License Bundled
- NDAA Compliant



# SPECIFICATIONS

| Camera  |  |
|---|--|
| Image Sensor                                      | Approx. 1/3 type CMOS image sensor   |
| Minimum Illumination                              | Color : 0.03 lx, BW : 0.015 lx<br>(F2.3, Maximum shutter : Off (1/30s), AGC : 11)<br>BW : 0 lx<br>(F2.3, Maximum shutter : Off (1/30 s), AGC : 11, when the IR LED is lit)<br>Color : 0.0019 lx, BW : 0.0009 lx<br>(F2.3, Maximum shutter : max. 16/30s, AGC : 11) |
| White Balance                                     | AWC (2,000 - 10,000 K), ATW1 (2,700 - 6,000 K), ATW2 (2,000 - 6,000 K)   |
| Maximum shutter                                   | Max. 1/10000 s to Max. 16/30 s   |
| Intelligent Auto                                  | On / Off   |
| Super Dynamic                                     | On / Off, The level can be set in the range of 0 to 31.  |
| Dynamic Range                                     | Max.144 dB typ.<br>(Super Dynamic : On)  |
| Adaptive Black Stretch                            | The level can be set in the range of 0 to 255.   |
| Back light compensation / High light compensation | BLC (Back light compensation) / HLC (High light compensation) / Off<br>(only when Super dynamic / Intelligent Auto : Off)  |
| Fog Compensation                                  | On / Off (only when Intelligent auto / auto contrast adjust : Off)   |
| Maximum gain                                      | The level can be set in the range of 0 to 11.  |
| Color/BW (ICR)                                    | Off / On (IR Light Off) / On (IR Light On) / Auto1 (IR Light Off) / Auto2 (IR Light On) / Auto3 (SCC)  |
| IR LED Light                                      | High / Middle / Low / Off, Maximum irradiation distance : 15 m {Approx. 49 ft}   |
| Digital Noise Reduction                           | The level can be set in the range of 0 to 255.   |
| Video Motion Detection                            | On / Off, 4 areas available  |
| Intelligent VMD (i-VMD)                           | Type 4 *Bundled License  |
| Privacy Zone                                      | On / Off, Up to 8 zones available  |
| Image rotation                                    | 0 ° / 90 ° / 180 ° (Upside-down) / 270 °   |
| Mirror  | On / Off   |
| Camera Title (OSD)                                | On / Off, Up to 20 characters (alphanumeric characters, marks)   |
| Lens  |  |
| Zoom ratio  | 1 x Optical  |
| Digital (electronic) zoom                         | Choose from 3 levels of x1, x2, x4   |
| Focal Length                                      | 2.8 mm {1/8 inches}  |
| Angular Field of View                             | [16 : 9 mode] Horizontal : 108°<br>Vertical : 60°<br>[4 : 3 mode] Horizontal : 89°<br>Vertical : 66°   |
| Maximum Aperture Ratio                            | 1 : 2.3  |
| Focus range                                       | 0.5 m {19-11/16 inches} - ∞  |
| Adjusting Angle                                   |  |
| Adjusting Angle                                   | Horizontal (PAN) angle : ±45°, Vertical (TILT) angle : 0 to +90°,<br>Azimuth (YAW) angle : ±90°  |

| Browser GUI             |   |
|-------------------------|---|
| Camera Control          | Brightness  |
| GUI/Setup Menu Language | English, Italian, French, German, Spanish, Portuguese, Russian, Chinese, Japanese |

| Network                                  |   |
|--|---|
| Network IF                               | 10Base-T / 100Base-TX, RJ45 connector   |
| Resolution H.265/ H.264 JPEG (MJPEG)     | <ul style="list-style-type: none"> <li>•2 mega pixel [16 : 9] (30/60 fps)</li> <li>1,920 x 1,080 / 1,280 x 720 / 640 x 360 / 320 x 180</li> <li>•3 mega pixel [4 : 3] (30 fps)</li> <li>2,048 x 1,536*5 / 1,280 x 960 / 800 x 600 / 640 x 480 / 400 x 300 / 320 x 240</li> </ul>  |
| H.265/ H.264                             | [Transmission Mode]<br>Constant bit rate / VBR / Frame rate / Best effort<br>[Transmission Type]<br>Unicast / Multicast   |
| JPEG                                     | [Image Quality]<br>10 steps   |
| Smart Coding                             | GOP(Group of pictures) control<br>[When H.264 is selected] On(Mid) / On(Low) / Off<br>[When H.265 is selected] On(Frame rate control) / On(Advanced) / On(Mid) / On(Low) / Off<br>Smart Facial Coding*<br>Off / On(AUTO VIQS) / On(Smart Facial Coding)<br>*Smart Facial Coding is only available with Stream(1).                                     |
| Audio Compression                        | G.726 (ADPCM) : 16 kbps / 32 kbps<br>G.711 : 64 kbps<br>AAC-LC : 64 kbps / 96 kbps / 128 kbps   |
| Supported Protocol                       | IPv6 : TCP/IP, UDP/IP, HTTP, HTTPS, RTP, FTP, SMTP, DNS, NTP, SNMP, DHCPv6, MLD, ICMP, ARP, IEEE 802.1X, DiffServ, SSL/TLS, SRTP, SFTP, MQTT, LLDP<br>IPv4 : TCP/IP, UDP/IP, HTTP, HTTPS, RTSP, RTP, RTP/RTCP, FTP, SMTP, DHCP, DNS, DDNS, NTP, SNMP, UPnP, IGMP, ICMP, ARP, IEEE 802.1X, DiffServ, SSL/TLS, SRTP, SFTP, MQTT, LLDP                   |
| No. of Simultaneous Users                | Up to 14 users<br>(Depends on network conditions)   |
| microSDXC/microSDHC/ microSD Memory Card | H.265 / H.264 recording :<br>Manual REC / Alarm REC (Pre/Post) / Schedule REC / Backup upon network failure<br>JPEG recording :<br>Manual REC / Alarm REC (Pre/Post) / Backup upon network failure<br>Compatible microSDXC/microSDHC/microSD Memory Card :<br>Panasonic 2 GB, 4 GB*, 8 GB*, 32 GB*, 64 GB**model<br>*microSDHC card, **microSDXC card |
| Mobile Terminal Compatibility            | iPad, iPhone, Android™ terminals  |
| ONVIF® Profile                           | G / S / T   |

| Alarm         |   |
|---------------|---|
| Alarm Source  | VMD alarm, Command alarm, Audio detection alarm   |
| Alarm Actions | microSDXC/microSDHC/microSD memory recording, E-mail notification, HTTP alarm notification Indication on browser, FTP image transfer, TCP alarm notification output |

| Input/Output        |  |
|---------------------|--|
| Built-in microphone | Nondirectional electret condenser microphone |

| General                            |  |
|------------------------------------|--|
| Safety                             | UL (UL60950-1 2Ed), c-UL (CAN/CSA C22. NO.60950-1-07), CE, IEC60950-1                |
| EMC                                | FCC (Part15 Subpart B, ClassA, SDoC), ICES-003 ClassA, EN55032 ClassB, EN55035       |
| Power Source and Power Consumption | PoE (IEEE802.3af compliant) Device :<br>DC48 V 80 mA, Approx. 3.8 W (Class 2 device) |
| Ambient Operating Temperature      | 0 °C to +40 °C (32 °F to 104 °F)   |

|                            |  |
|----------------------------|--|
| Ambient Operating Humidity | 10 to 90 % (no condensation)   |
| Water and Dust Resistance  | -  |
| Shock Resistance           | -  |
| Railway Application        | -  |
| Dimensions                 | ø104 mm x 51 mm (H) {ø4-3/32 inches x 2 inches (H)}<br>Dome radius 27 mm {1-1/16 inches} |
| Mass (Approx.)             | Approx. 255 g {0.56 lbs}   |
| Finish                     | Main body : ABS resin, Sail white<br>Dome section : Polycarbonate resin, Clear           |

## NOTES

### Important

- Safety Precautions : Carefully read the Basic Information, Installation Guide and Operating Instructions before using this product.
- i-PRO Co., Ltd. cannot be held responsible for the performance of the network and/or other manufacturers' products used on the network.
- Masses and dimensions are approximate. Specifications are subject to change without notice.

### Trademarks and registered trademarks

- iPad and iPhone are trademarks of Apple Inc., registered in the U.S. and other countries. - Android is a trademark of Google LLC.
- ONVIF is a trademark of ONVIF, Inc.
- All other trademarks identified herein are the property of their respective owners

©i-PRO Co., Ltd All rights reserved / November 2022

## OPTIONAL ACCESSORIES

Select a compatible accessory

[Accessory Selector \(i-pro.com\)](http://i-pro.com).



WV-QWL500-W  
Mount Bracket



WV-QPL500-W  
Mount Bracket



WV-QJB500-W  
Mount Bracket



WV-QCN500-W  
Mount Bracket



WV-QCL101-W  
Mount Bracket

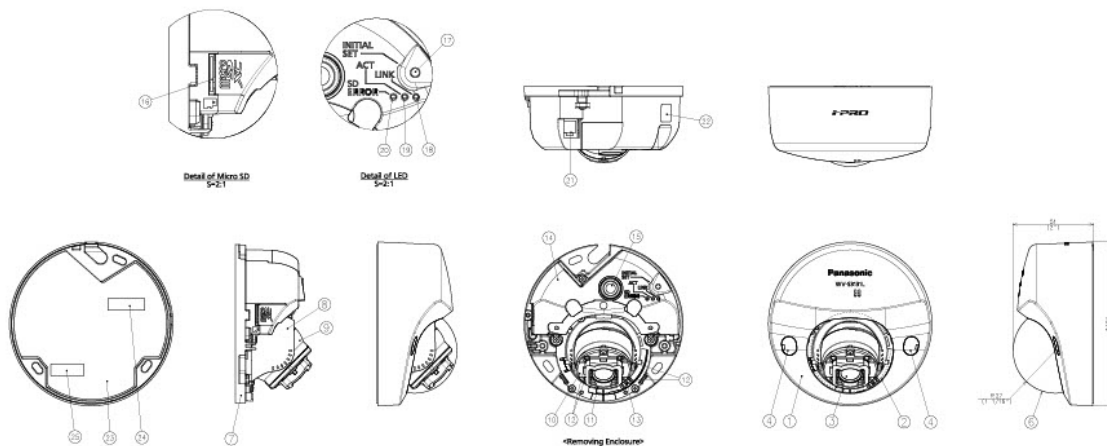


WV-QCL100-W  
Mount Bracket

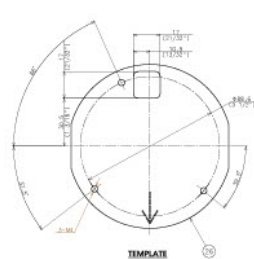


WV-CW6SA  
Dome Cover

# APPEARANCE



| No. | Part Name                  | Material          | Process/Remark        |
|-----|----------------------------|-------------------|-----------------------|
| 1   | Upper cover                | ABS               | Soft White - Printing |
| 2   | Camera unit                |                   |                       |
| 3   | Lens                       |                   |                       |
| 4   | Screw cover                | ABS               | Soft White            |
| 5   | Enclosure fixing screw     | Steel             |                       |
| 6   | Bottom cover               | PC                | Clear                 |
| 7   | Lower cover                | Aluminum die cast | Black                 |
| 8   | Lens cover                 | PC-ET-30B         | Black                 |
| 9   | Lens unit                  |                   |                       |
| 10  | IR LED cover               | PC-ABS            | Black                 |
| 11  | Light-blocking rubber ring | Silicone rubber   | Black                 |
| 12  | IR LED                     |                   |                       |
| 13  | TILT/AAV fixing screw      | Steel             |                       |
| 14  | Inner cover                | ABS               | Black                 |
| 15  | Built-in microphone        |                   |                       |
| 16  | SD slot                    |                   |                       |
| 17  | INITIAL SET button         |                   |                       |
| 18  | LINK indicator             |                   |                       |
| 19  | ACT indicator              |                   |                       |
| 20  | SD ERROR indicator         |                   |                       |
| 21  | BLUETOOTH terminal         |                   |                       |
| 22  | Dot Matrix label           | Polyester Film    | Printing              |
| 23  | Name plate                 | Polyester Film    | Printing              |
| 24  | Serial number label        | Polyester Film    | Printing              |
| 25  | Code label                 | Polyester Film    | Printing              |
| 26  | Template                   |                   |                       |



WW-S3131L