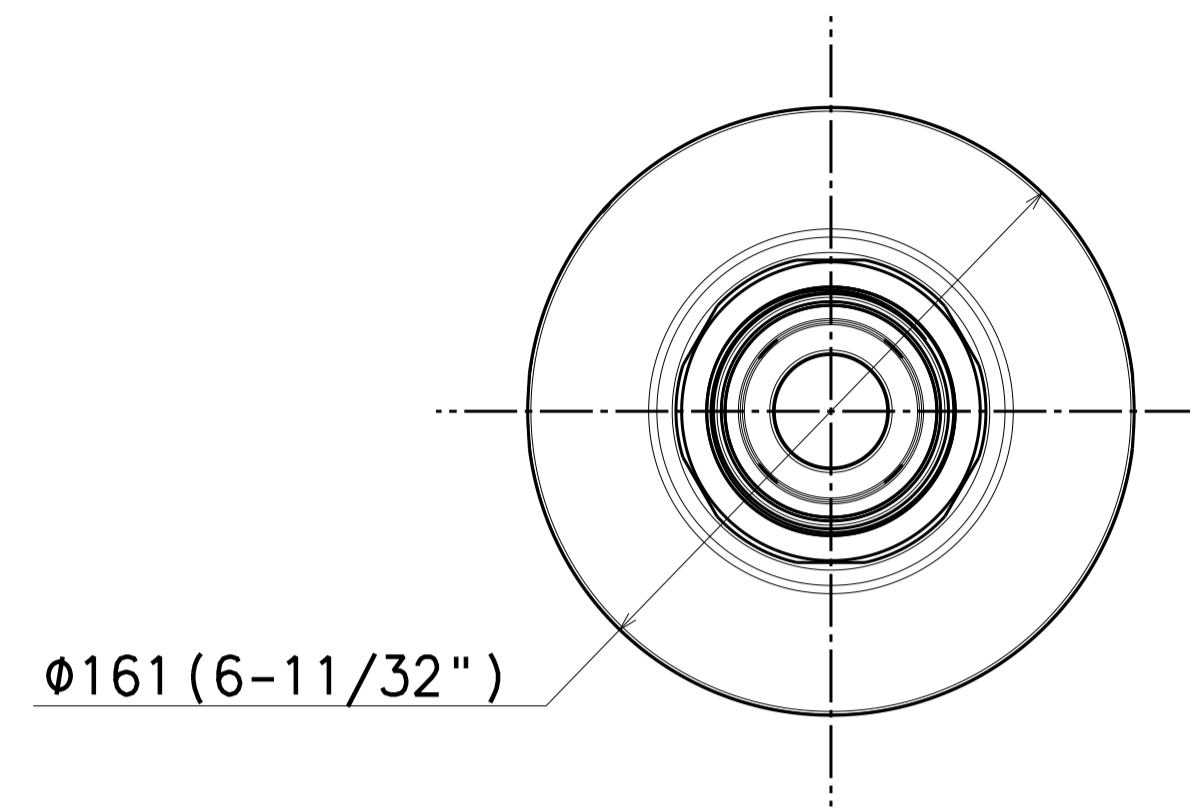
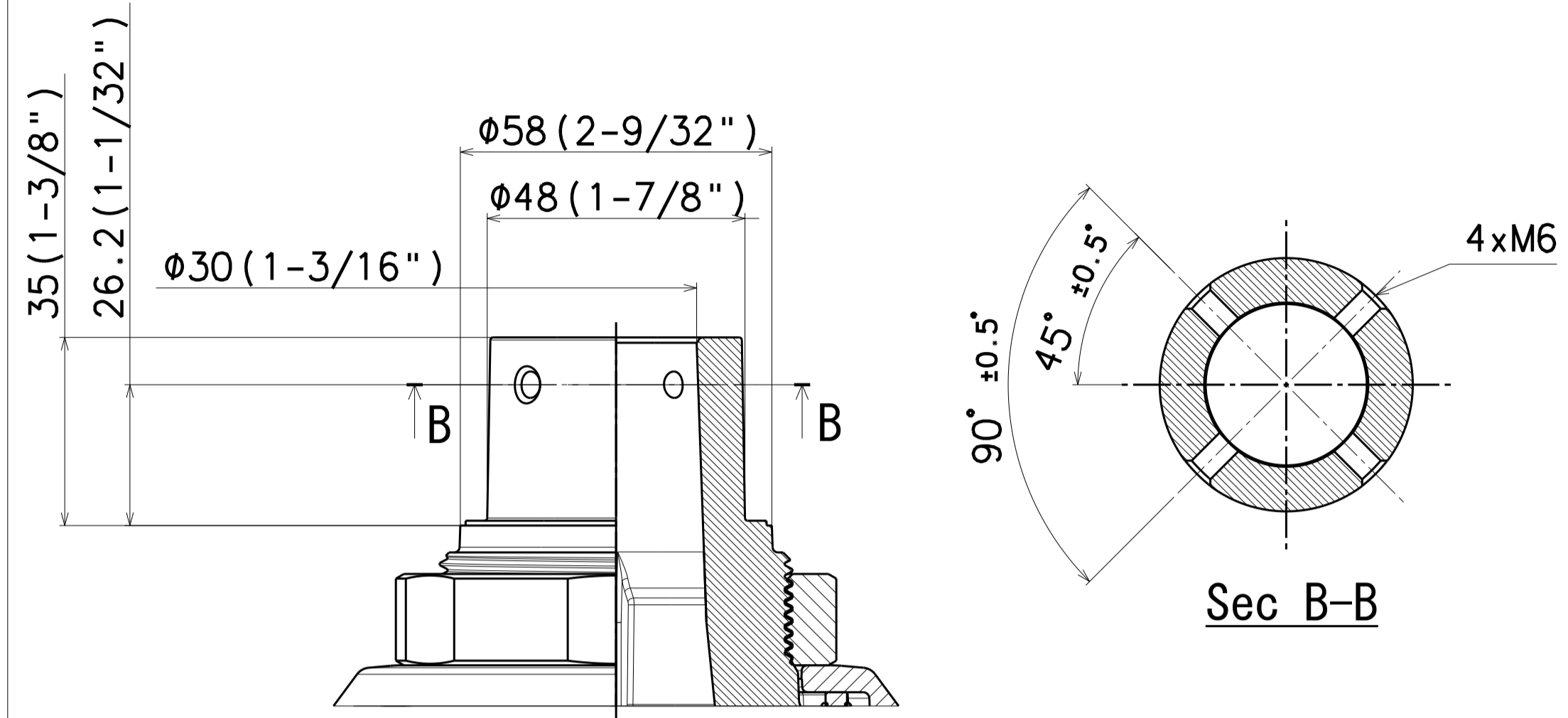


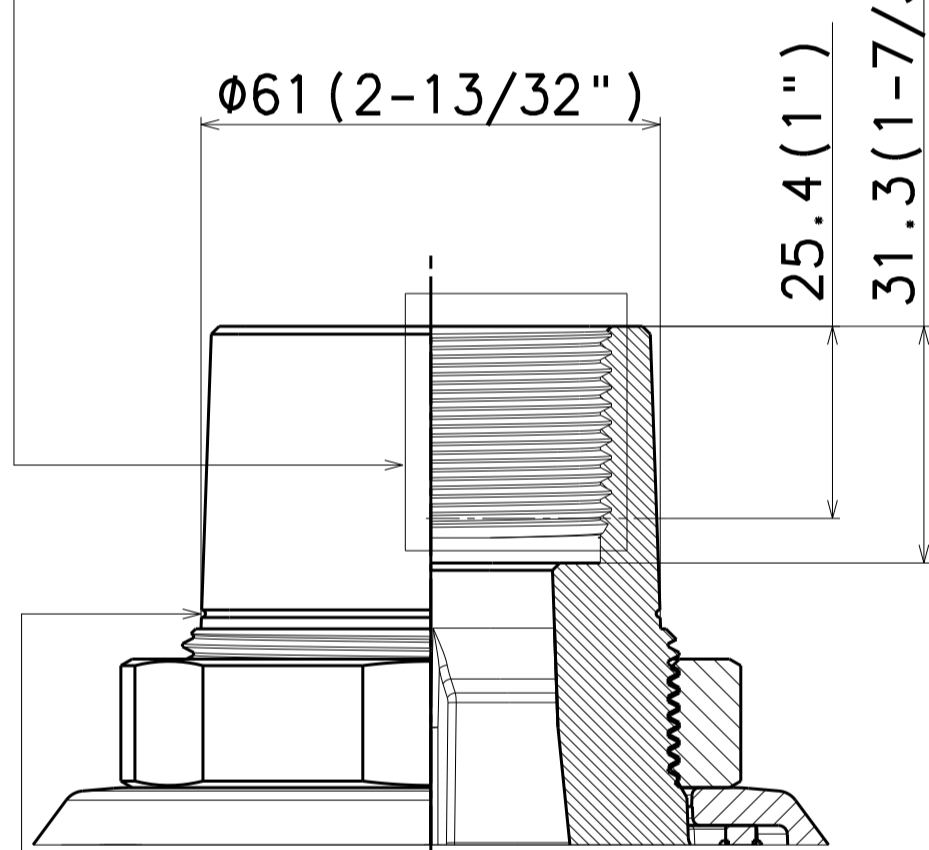
Detail A (S=1:1)  
Bracket connector fixing screw type

WV-QSR506-W, WV-QSR506S-W



WV-QSR506F

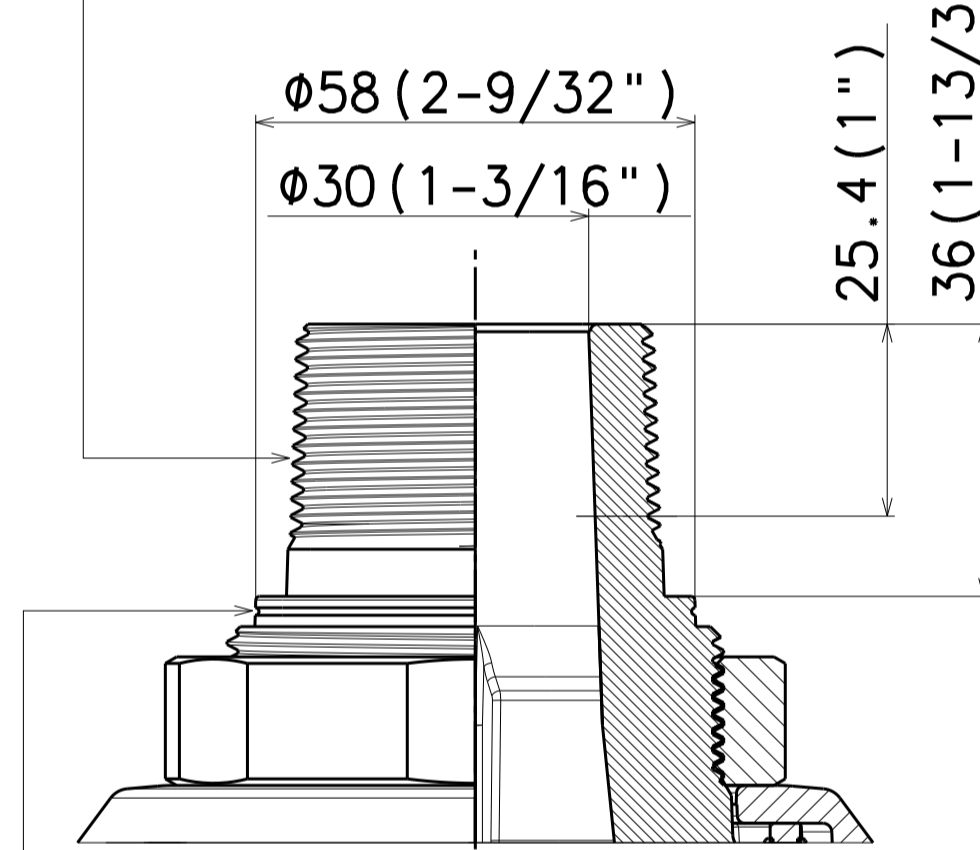
Rp 1-1/2, 11 crest  
(ISO (JIS) 規格/ISO (JIS) STANDARD)



ISOマーク/ISO mark

WV-QSR506M

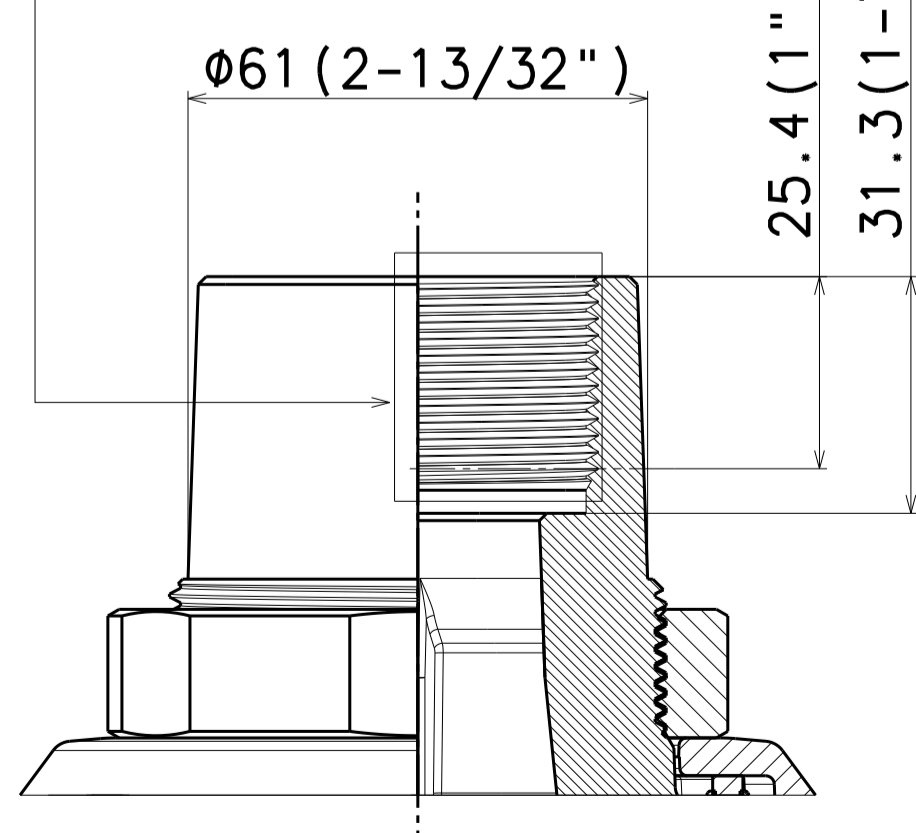
R 1-1/2, 11 crest  
(ISO (JIS) 規格/ISO (JIS) STANDARD)



ISOマーク/ISO mark

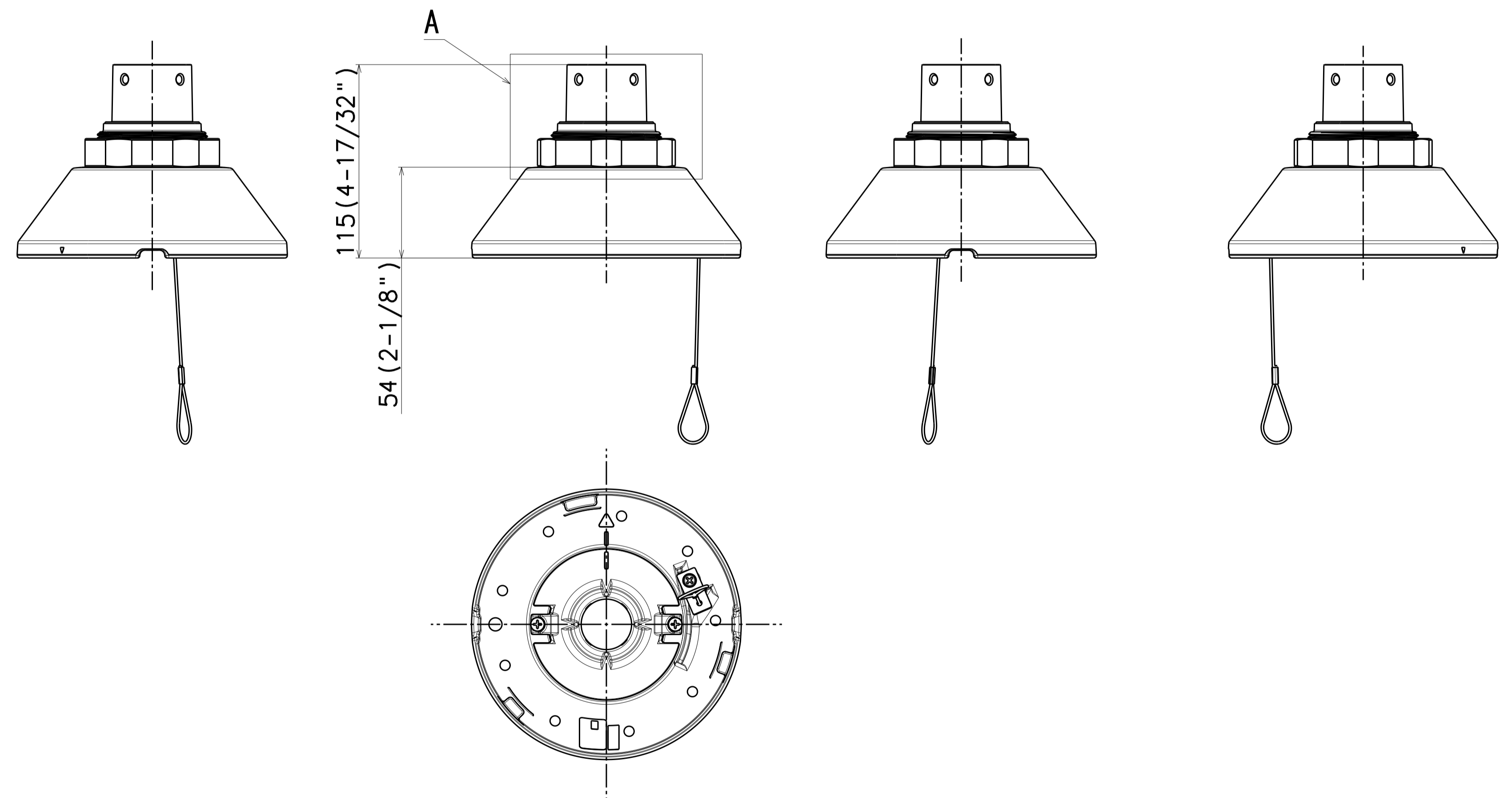
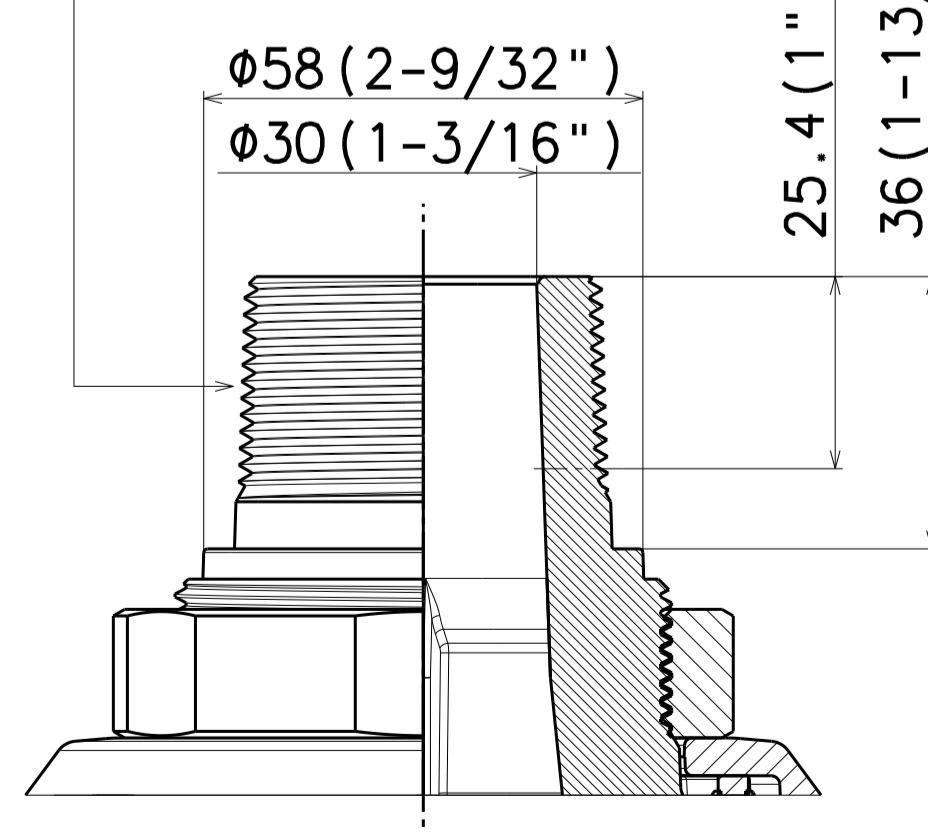
WV-QSR506F1

NPS 1-1/2, 11.5 crest  
(ANSI規格/ANSI STANDARD)



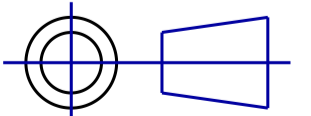
WV-QSR506M1

NPT 1-1/2, 11.5 crest  
(ANSI規格/ANSI STANDARD)

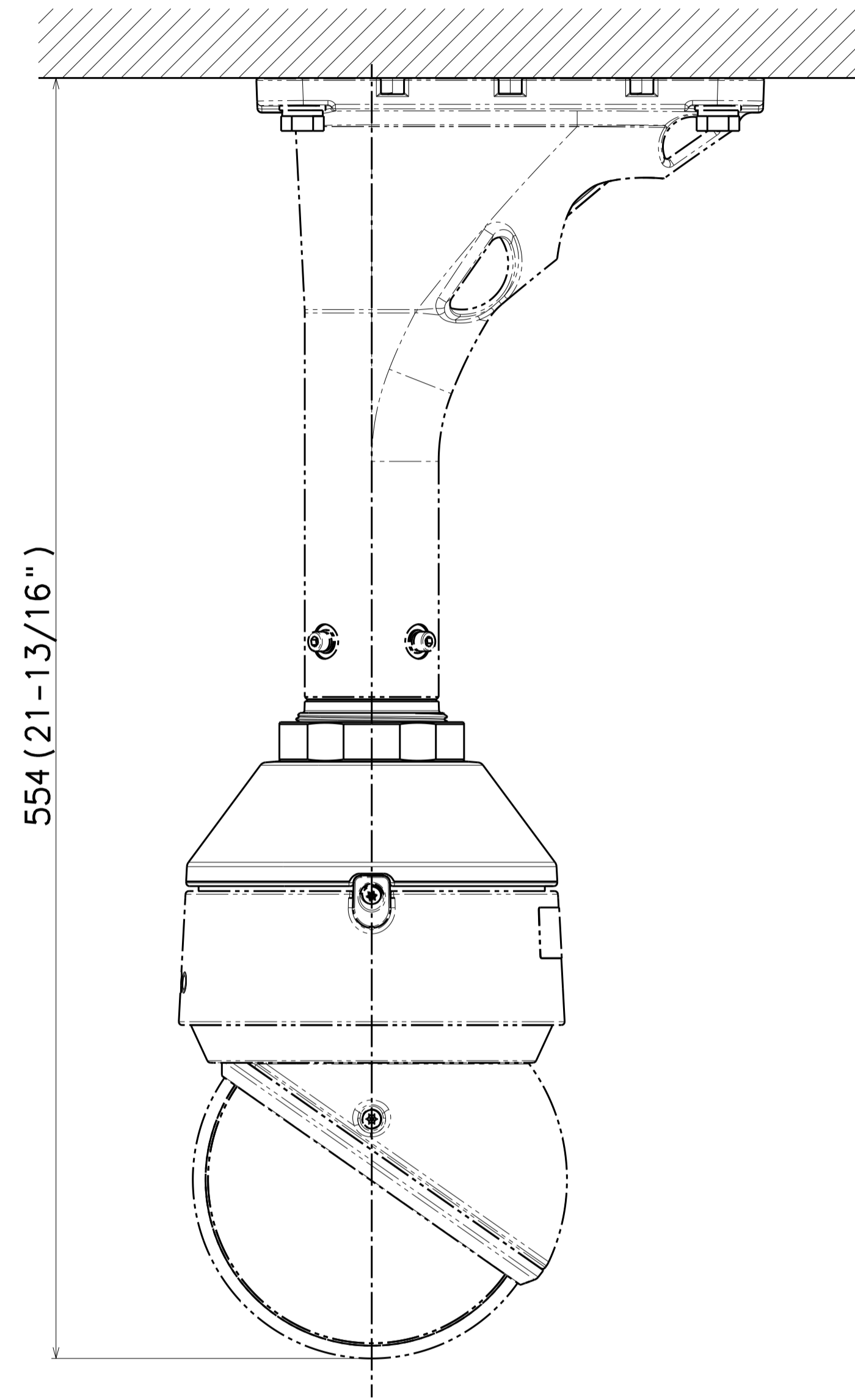


Unit:mm

Mass : Approx. 700 g {1.55 lbs}  
(All screw type same mass)

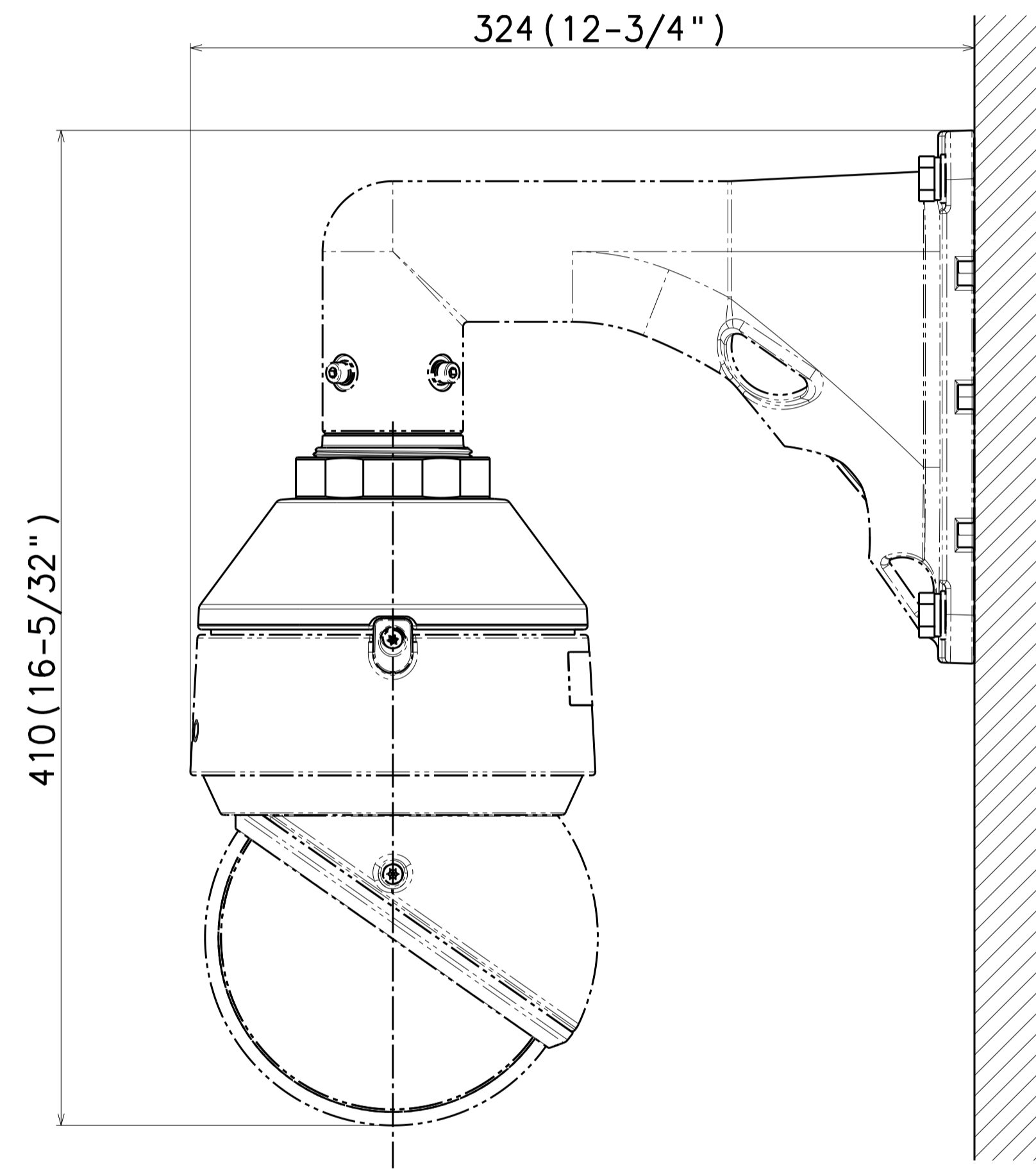


カメラとの組み合わせ例  
Example of combination with a camera



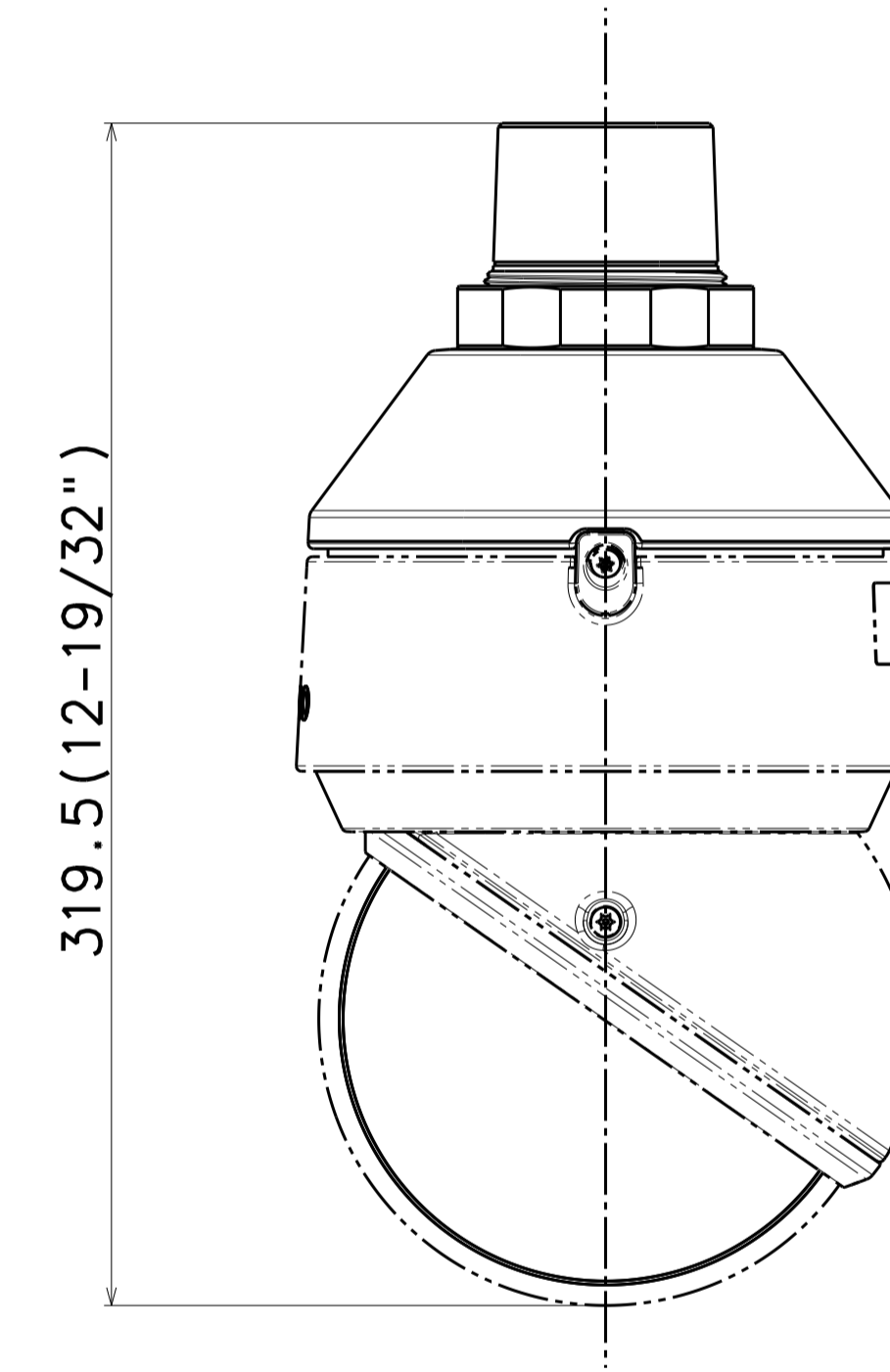
Attach to WV-S66700-Z3L & WV-QCL501-W

	投影面積/Projected area
正面図/Front-view	0.055 (m <sup>2</sup> )
側面図/Side-view	0.063 (m <sup>2</sup> )



Attach to WV-S66700-Z3L & WV-QWL501-W

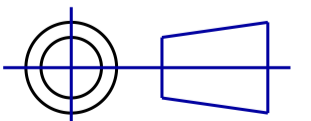
	投影面積/Projected area
正面図/Front-view	0.055 (m <sup>2</sup> )
側面図/Side-view	0.066 (m <sup>2</sup> )
平面図/Top-view	0.032 (m <sup>2</sup> )



Attach to WV-S66700-Z3L

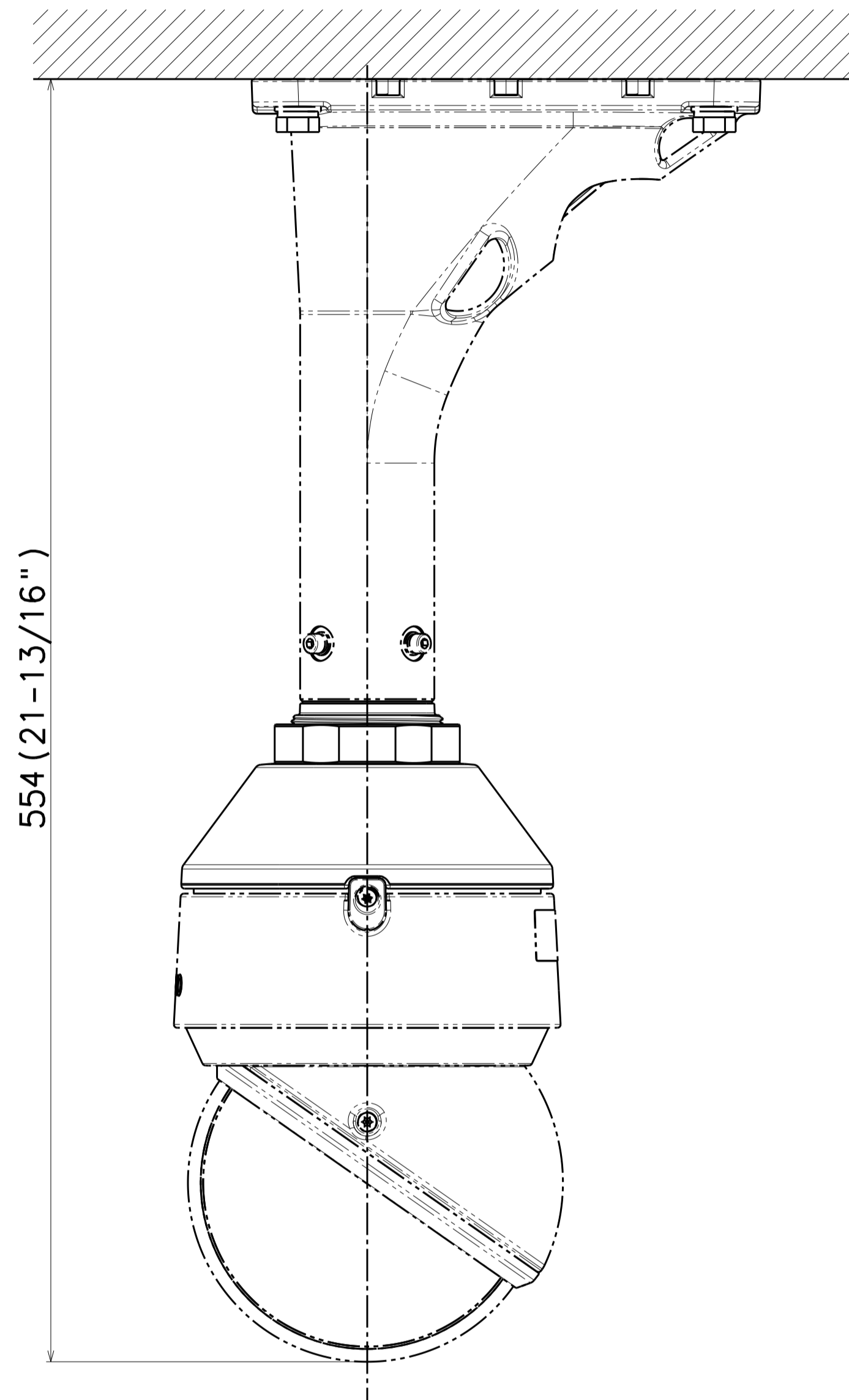
	投影面積/Projected area
正面図/Front-view	0.04 (m <sup>2</sup> )
側面図/Side-view	0.04 (m <sup>2</sup> )

Unit:mm



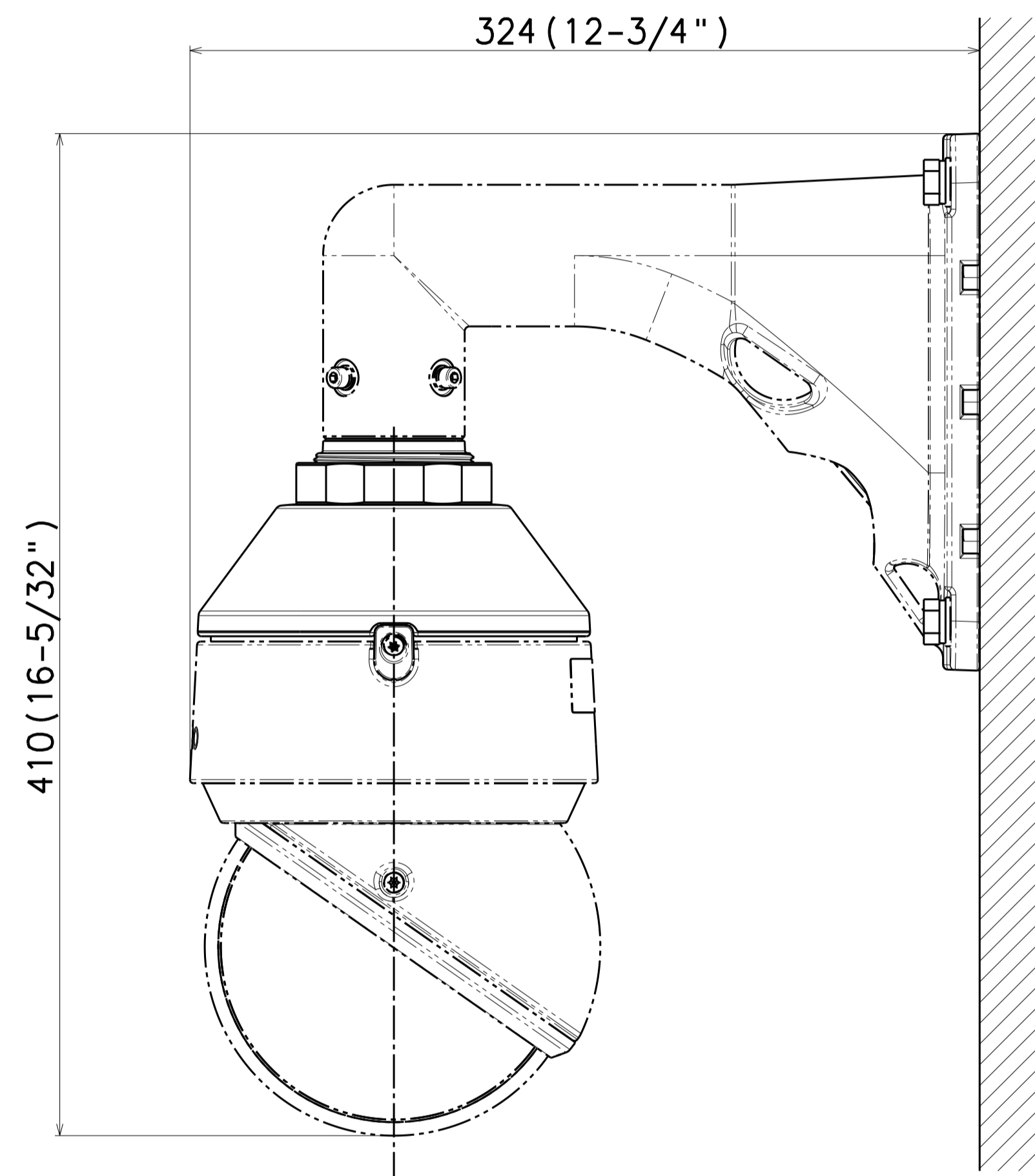
カメラとの組み合わせ例  
Example of combination with a camera

耐重塩害モデル  
Heavy salt damage version



Attach to WV-S66700-Z3LS & WV-QCL501S-W

	投影面積/Projected area
正面図/Front-view	0.055 (m <sup>2</sup> )
側面図/Side-view	0.063 (m <sup>2</sup> )



Attach to WV-S66700-Z3LS & WV-QWL501S-W

	投影面積/Projected area
正面図/Front-view	0.055 (m <sup>2</sup> )
側面図/Side-view	0.066 (m <sup>2</sup> )
平面図/Top-view	0.032 (m <sup>2</sup> )

Unit:mm

