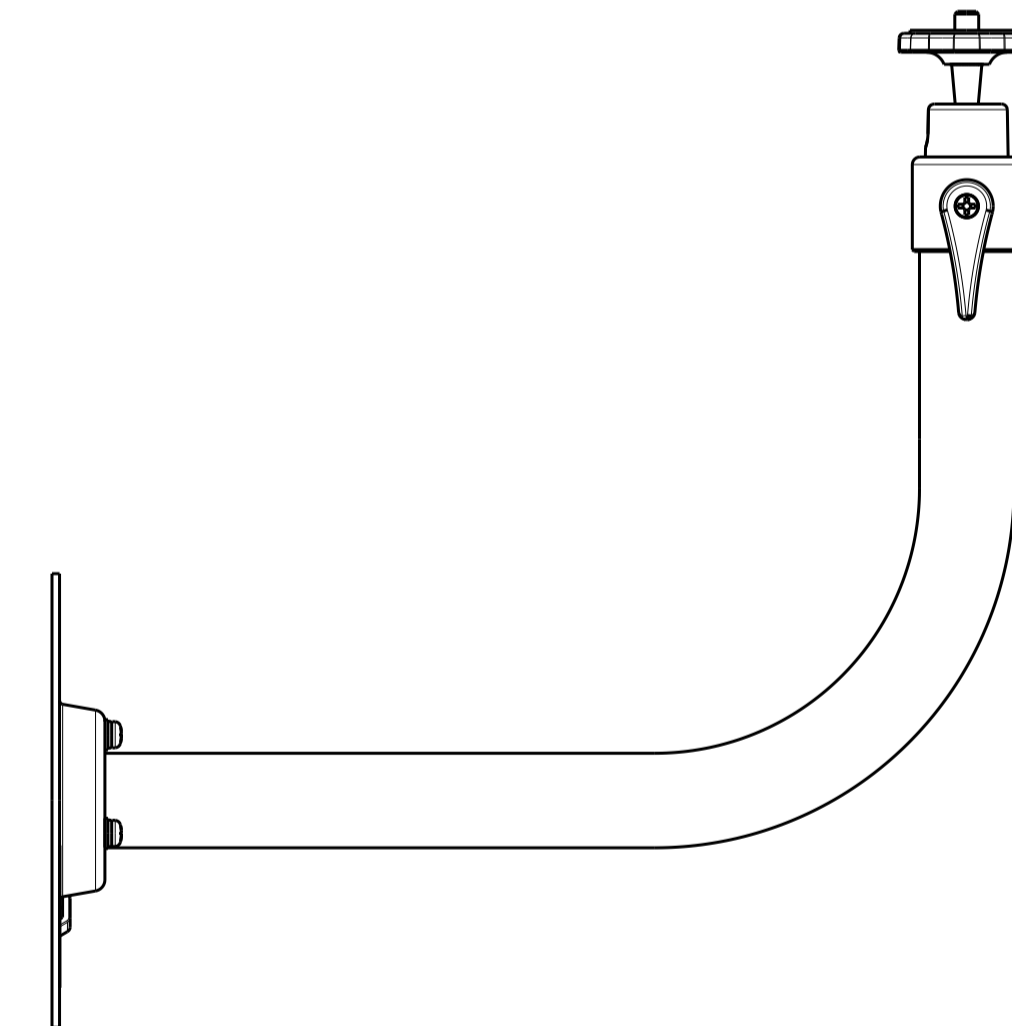
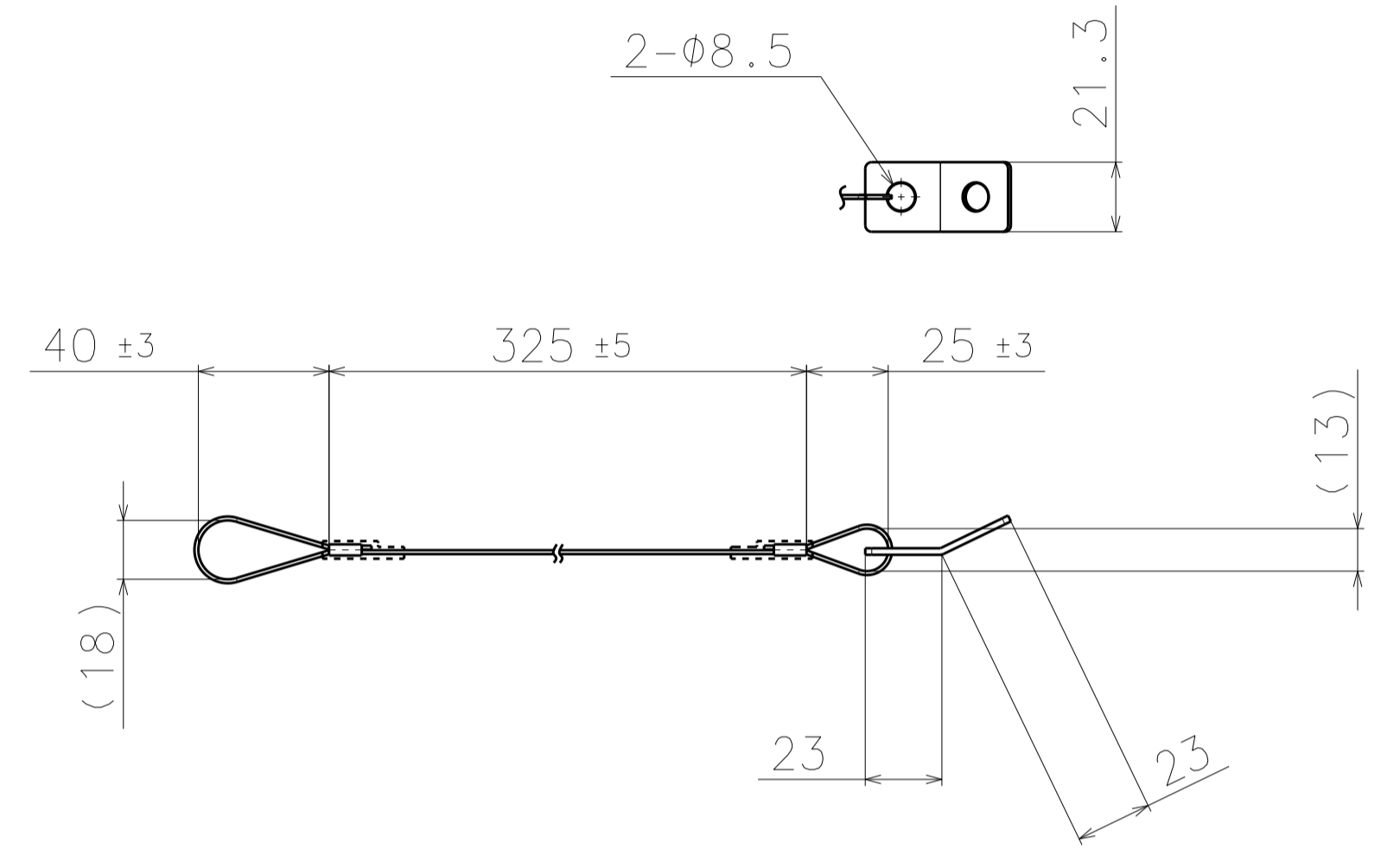
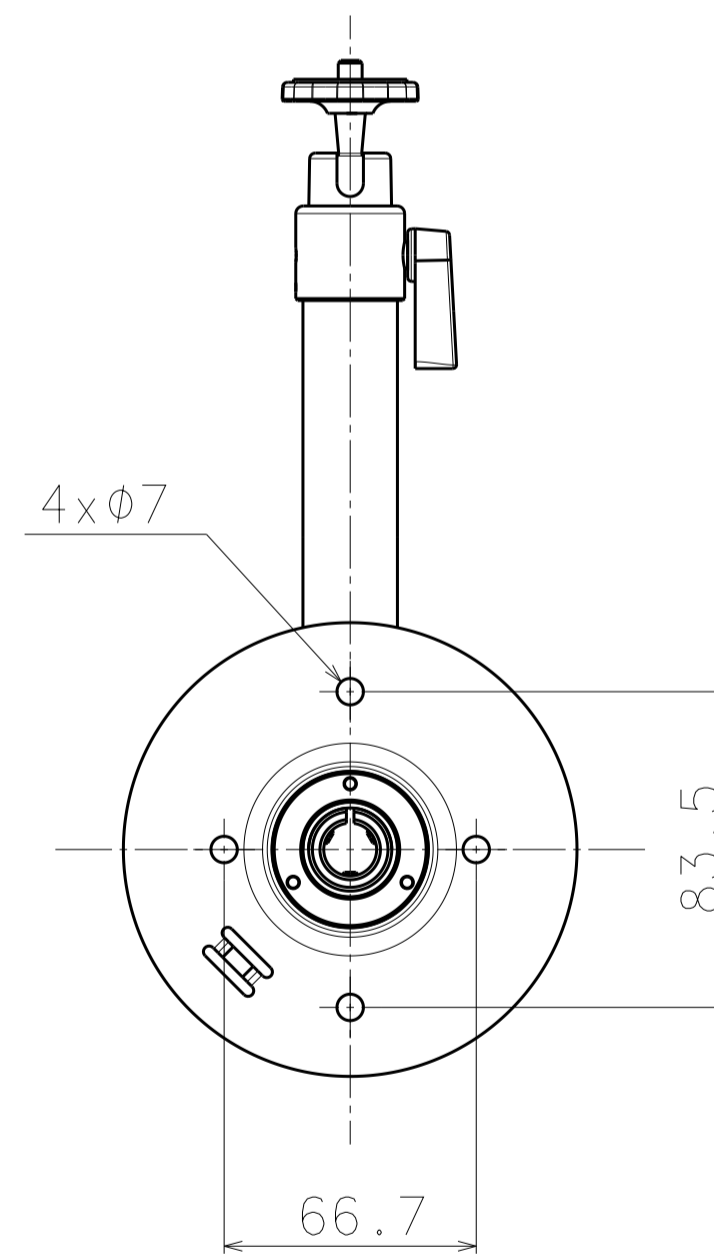
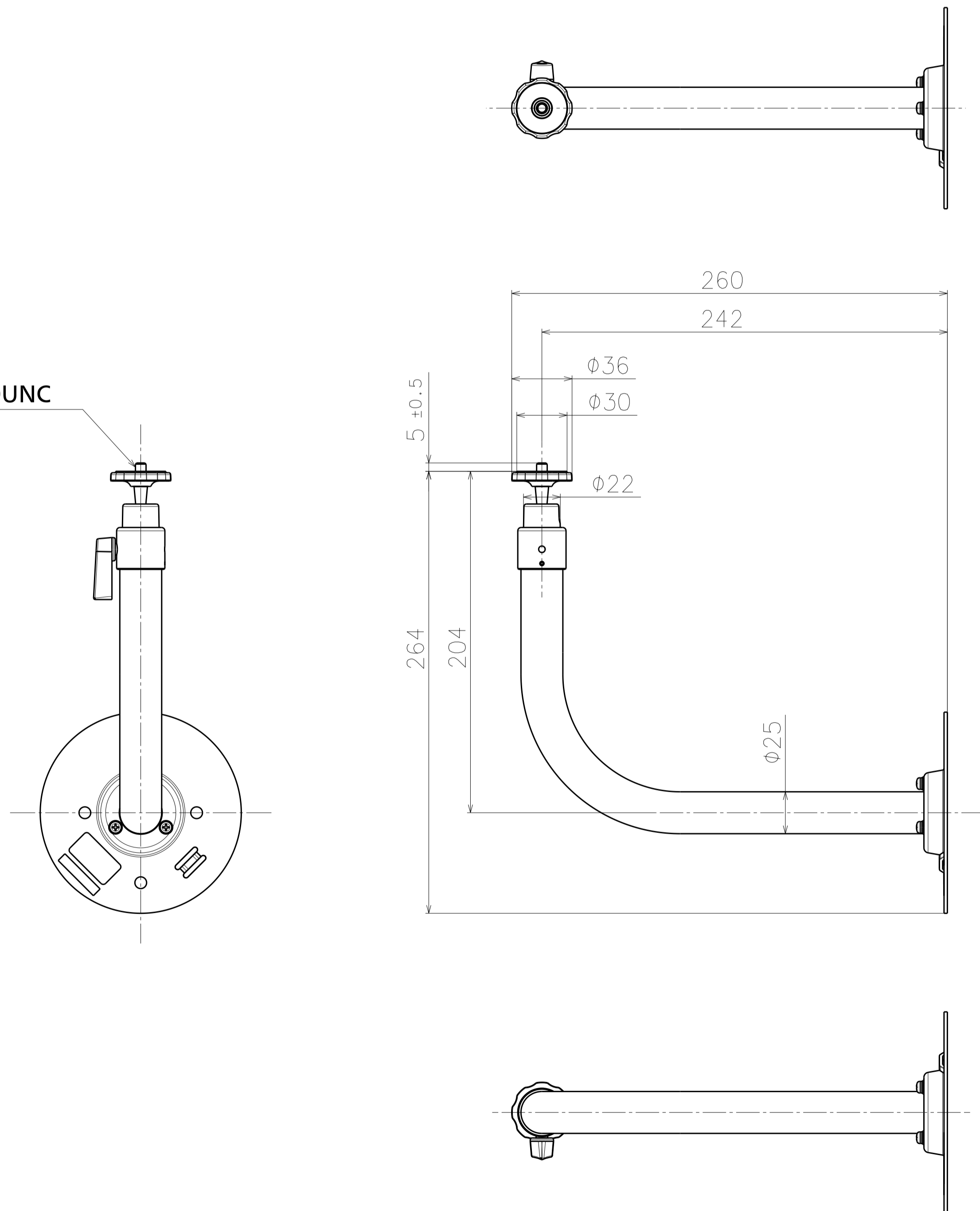


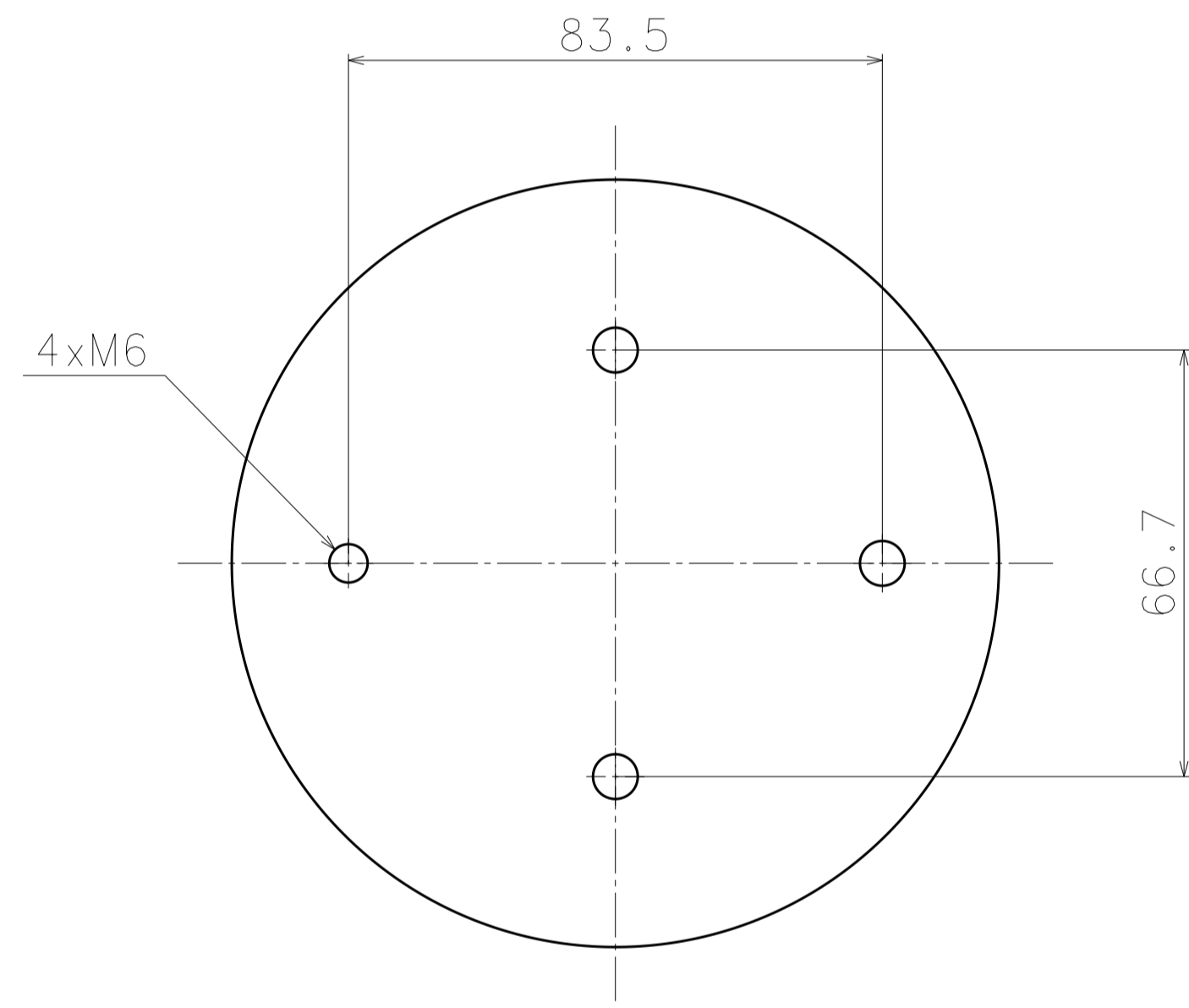
1/4-20UNC



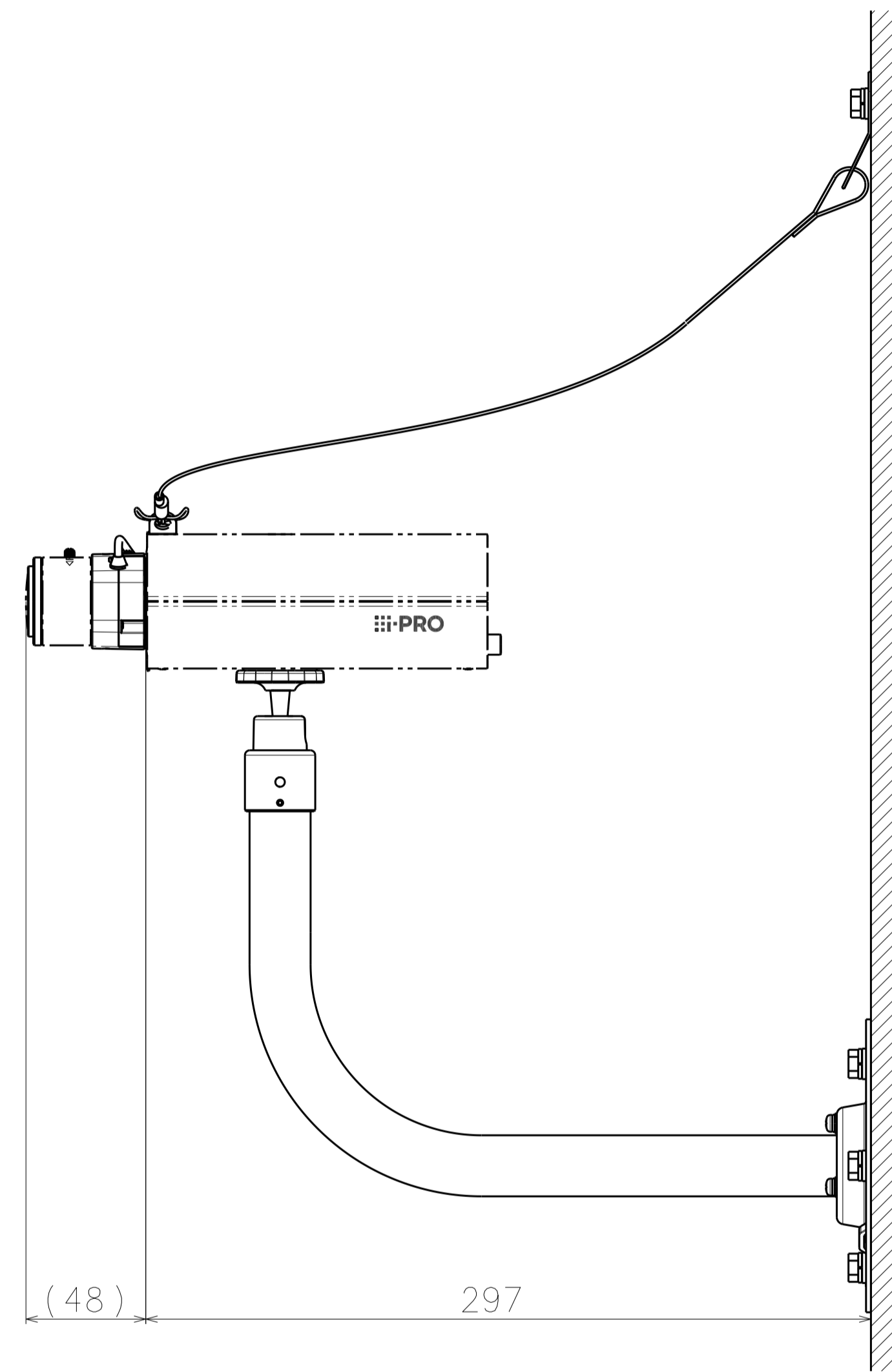
Model number
WV-Q181UX

Mass : Approx. 420 g {0.93 lbs} (Excluding safety wire)

カメラとの組み合わせ例
Example of combination with a camera



Template for mounting



Attach to WV-S1136UX
(S=1:2)