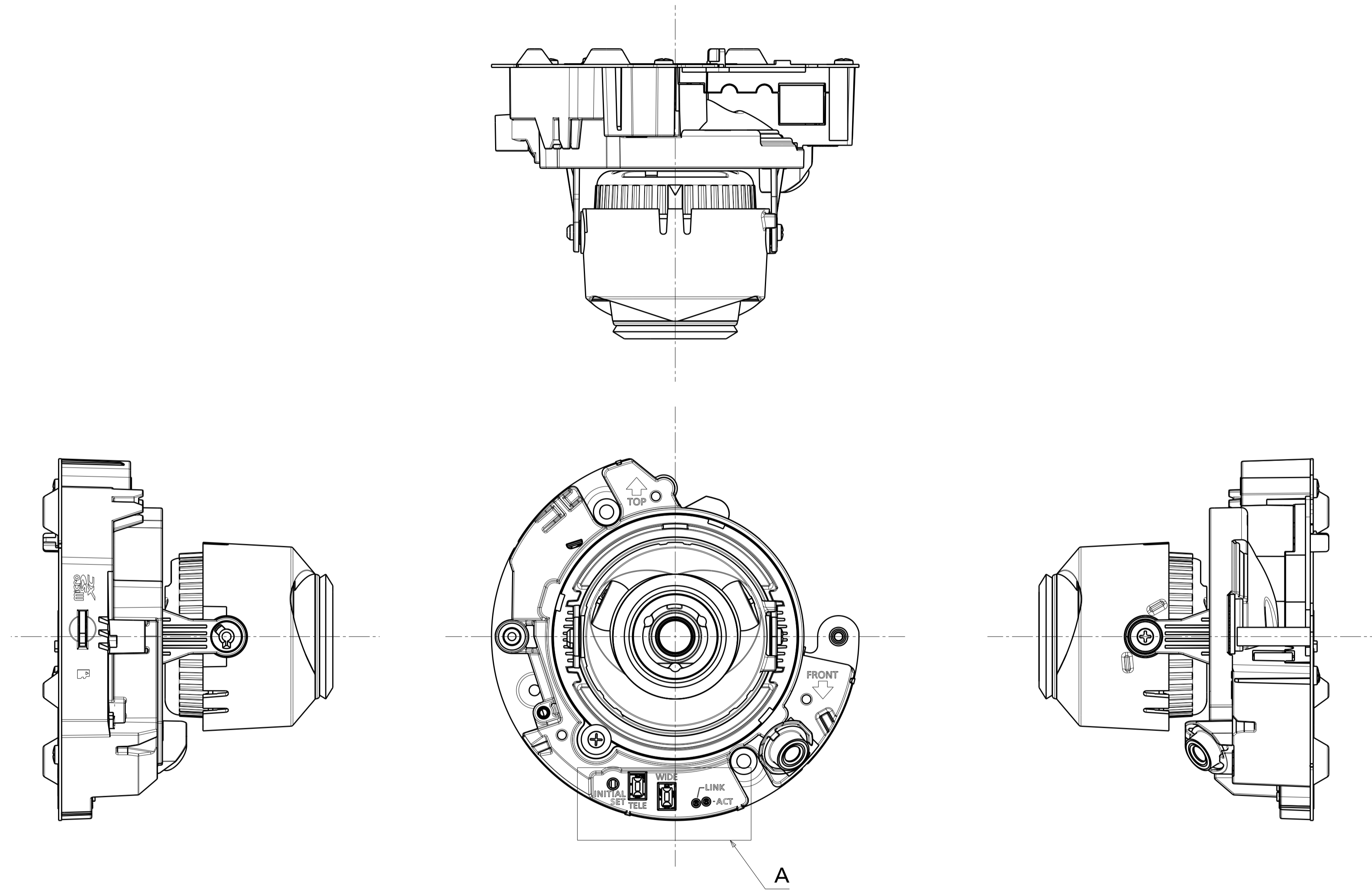
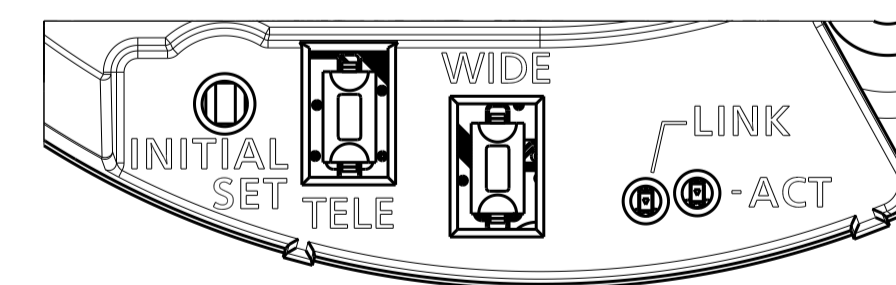


Mass : Approx. 350 g {0.77 lbs}

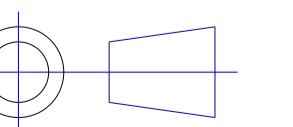


Without Enclosure

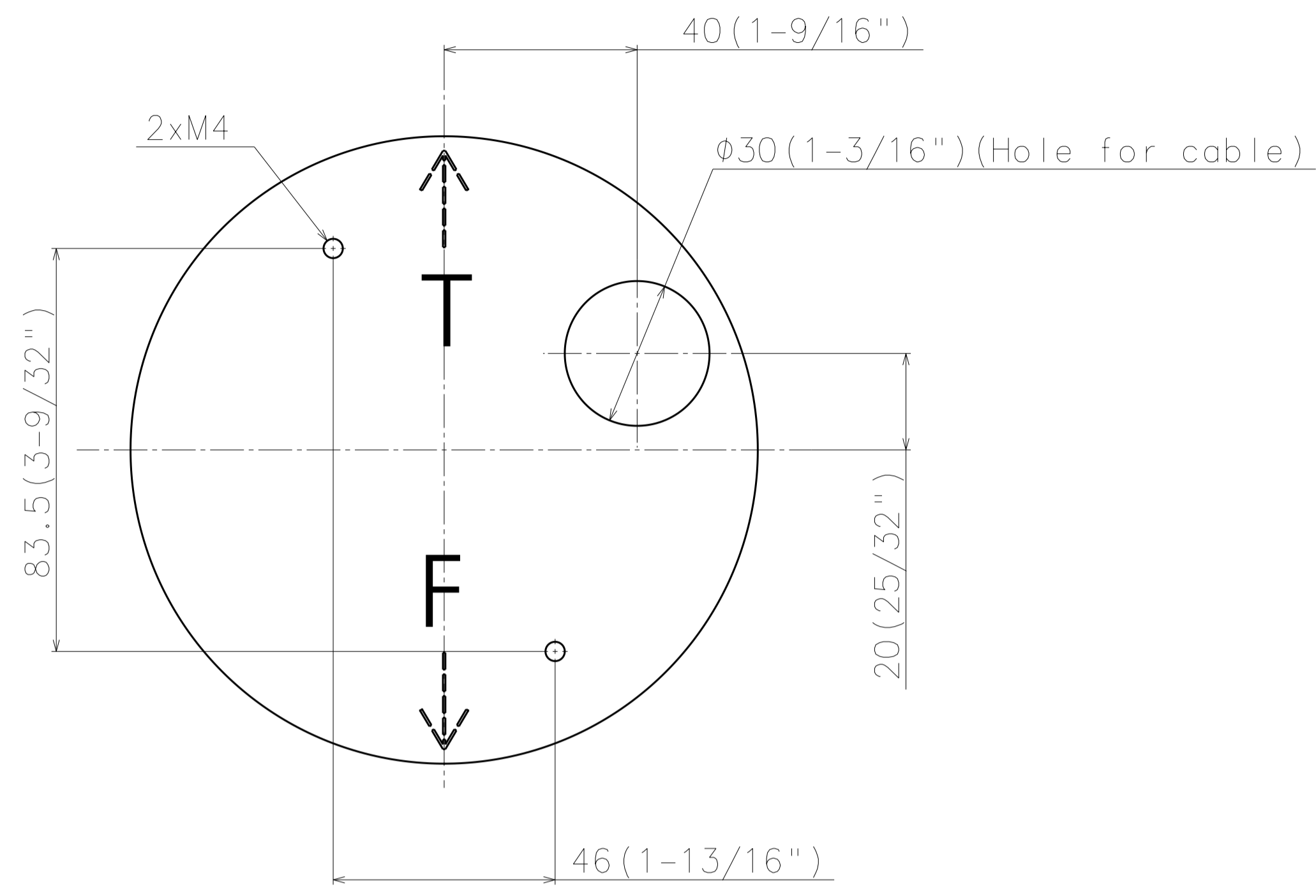


Detail A (2:1)

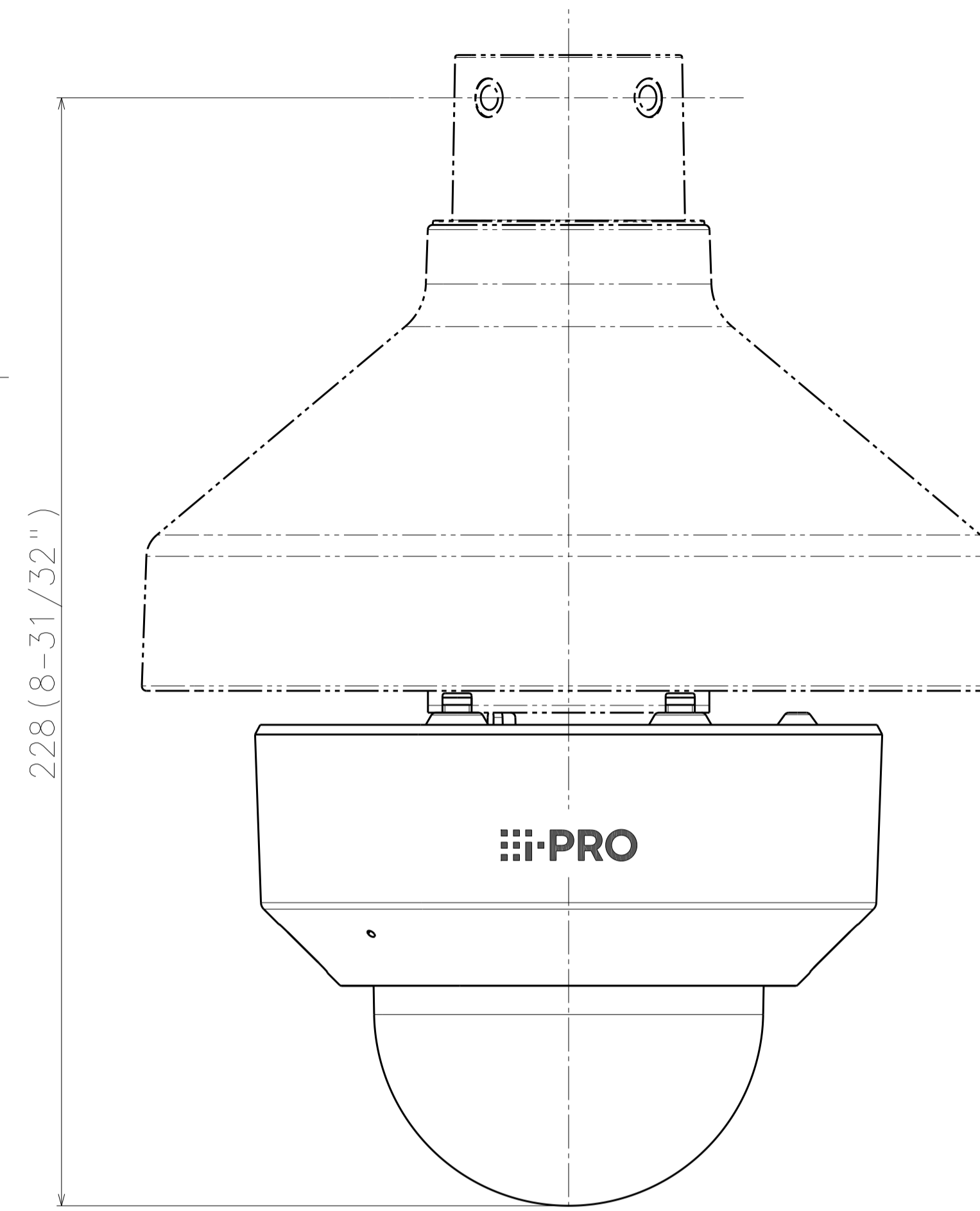
Unit:mm



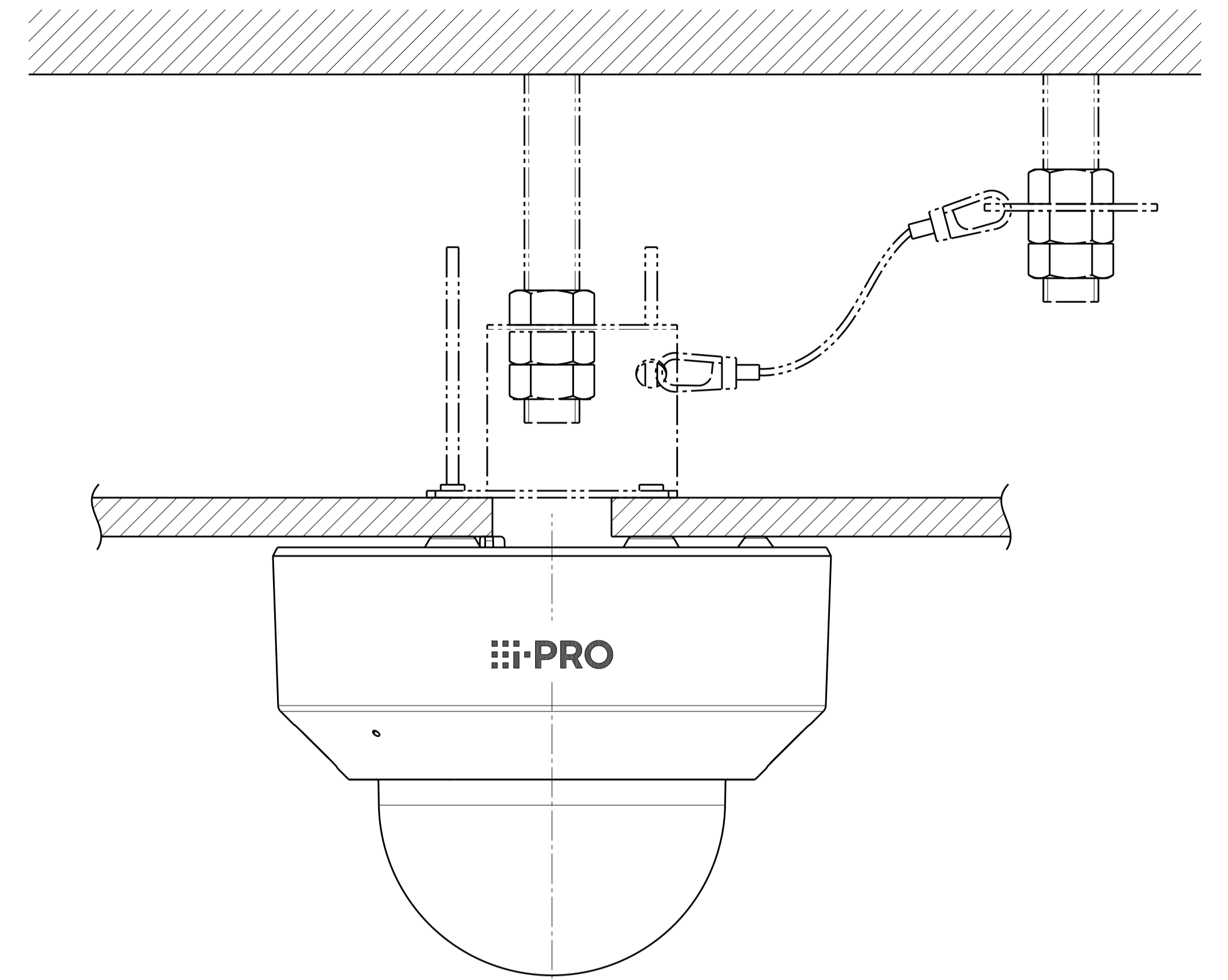
カメラとの組み合わせ例
Example of combination with a camera



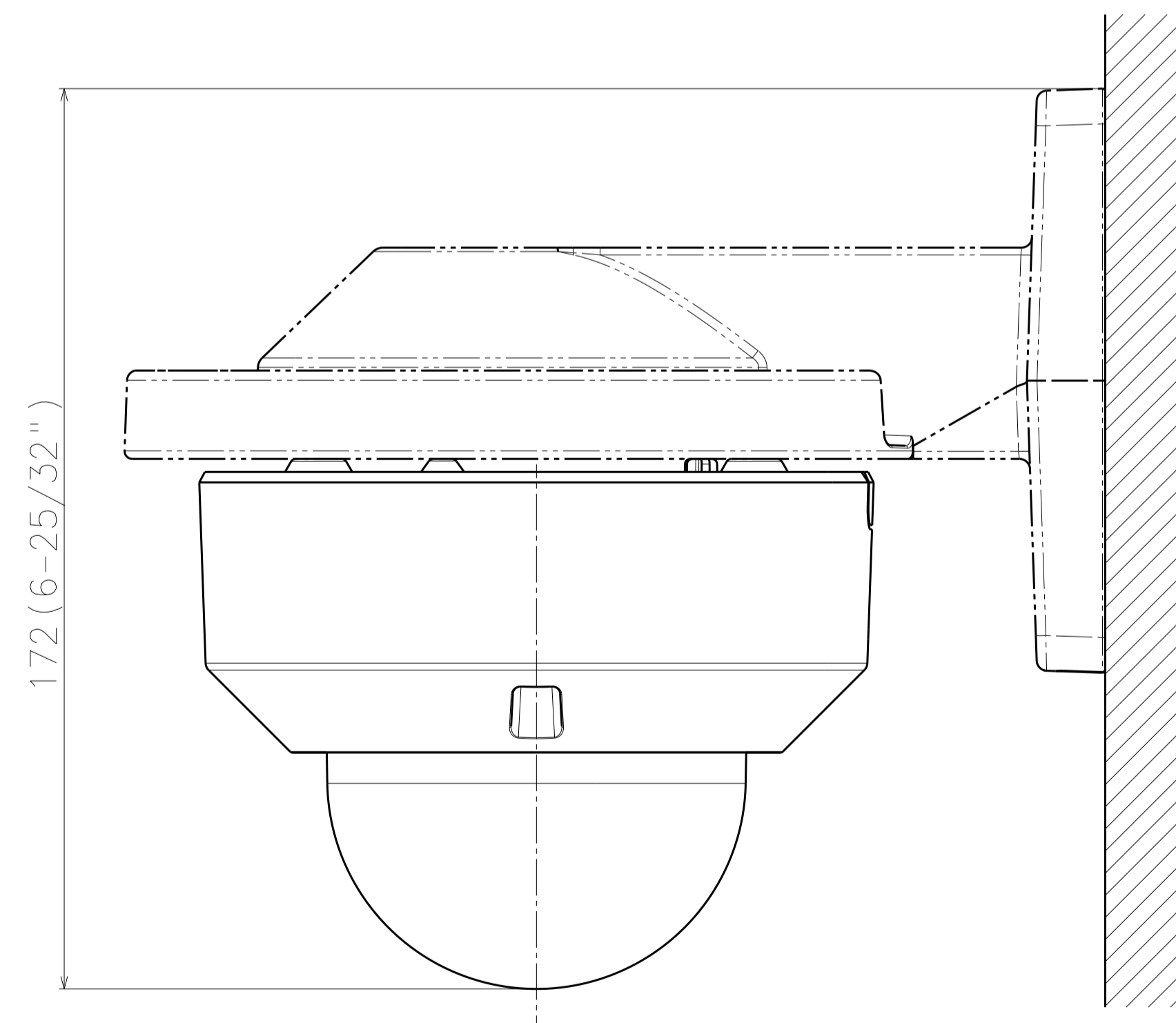
Template for mounting



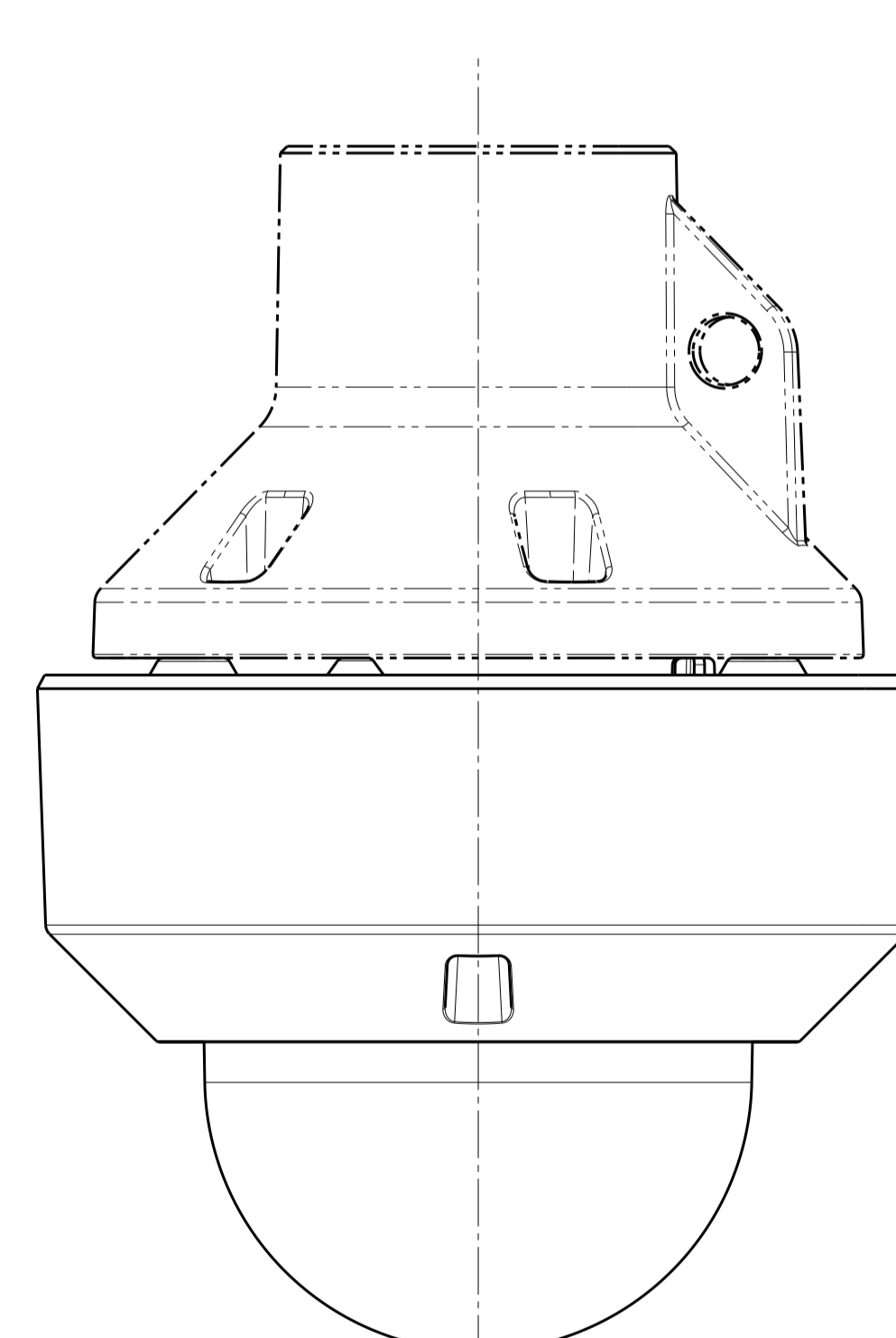
Attach to WV-QSR501**



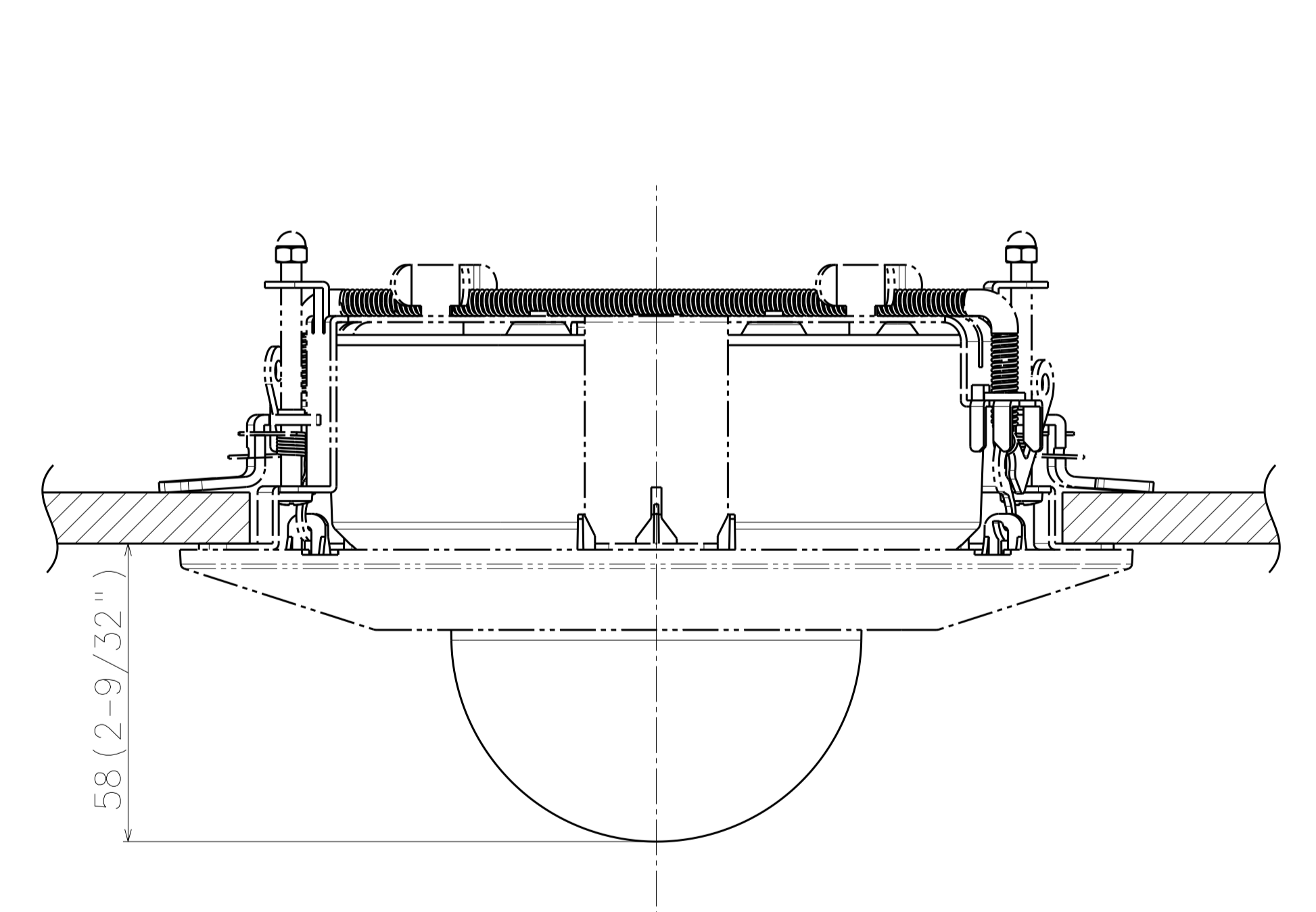
Attach to WV-Q105A**



Attach to WV-QWL500**



Attach to WV-QCL100**



Attach to WV-QEM100**

Unit:mm

