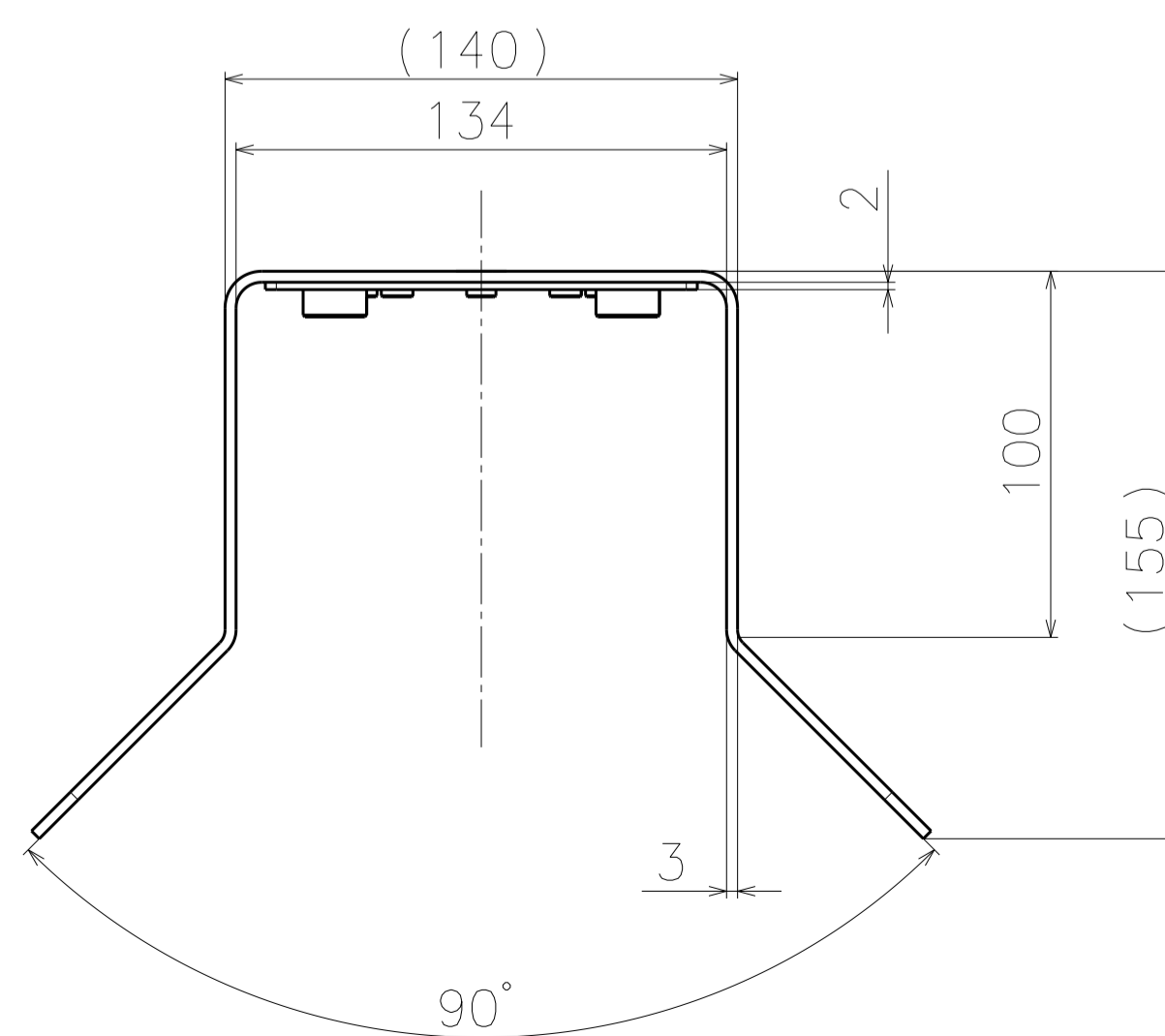
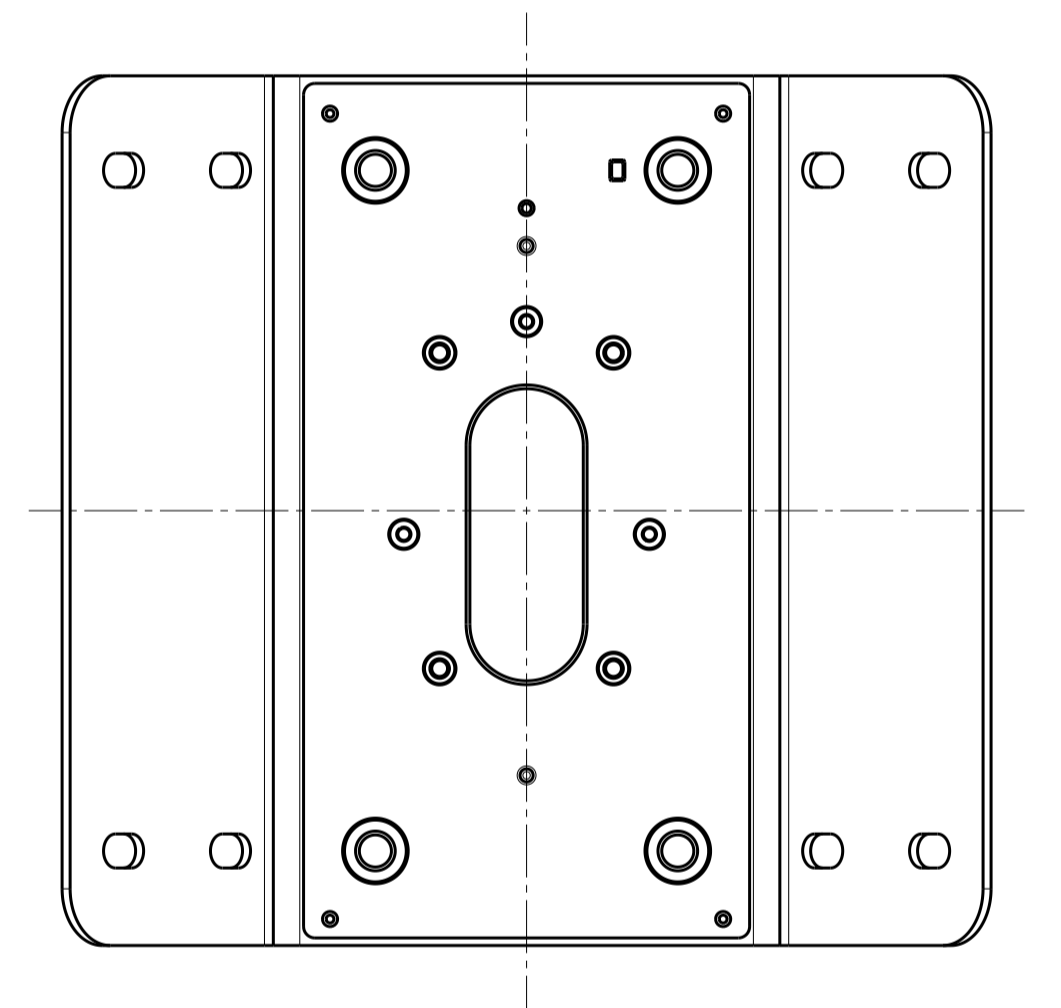
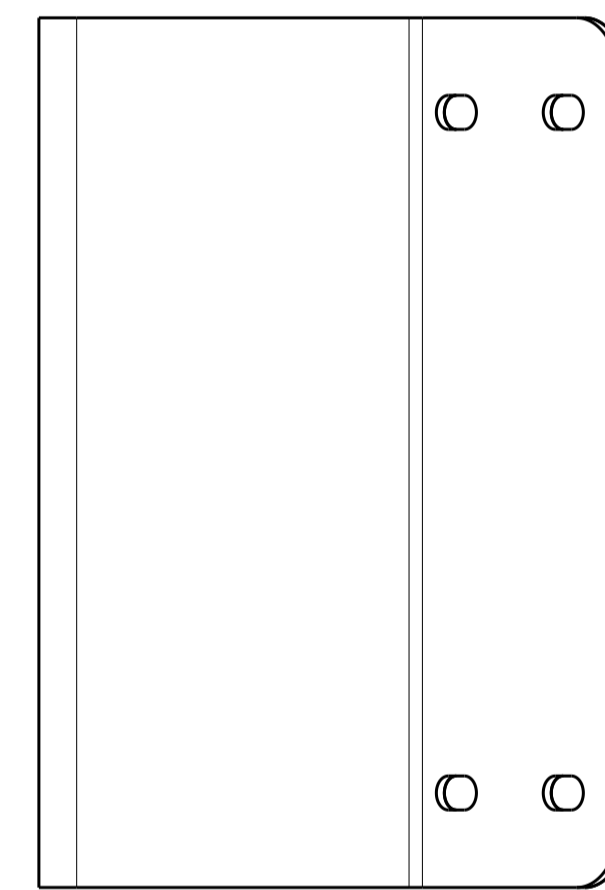
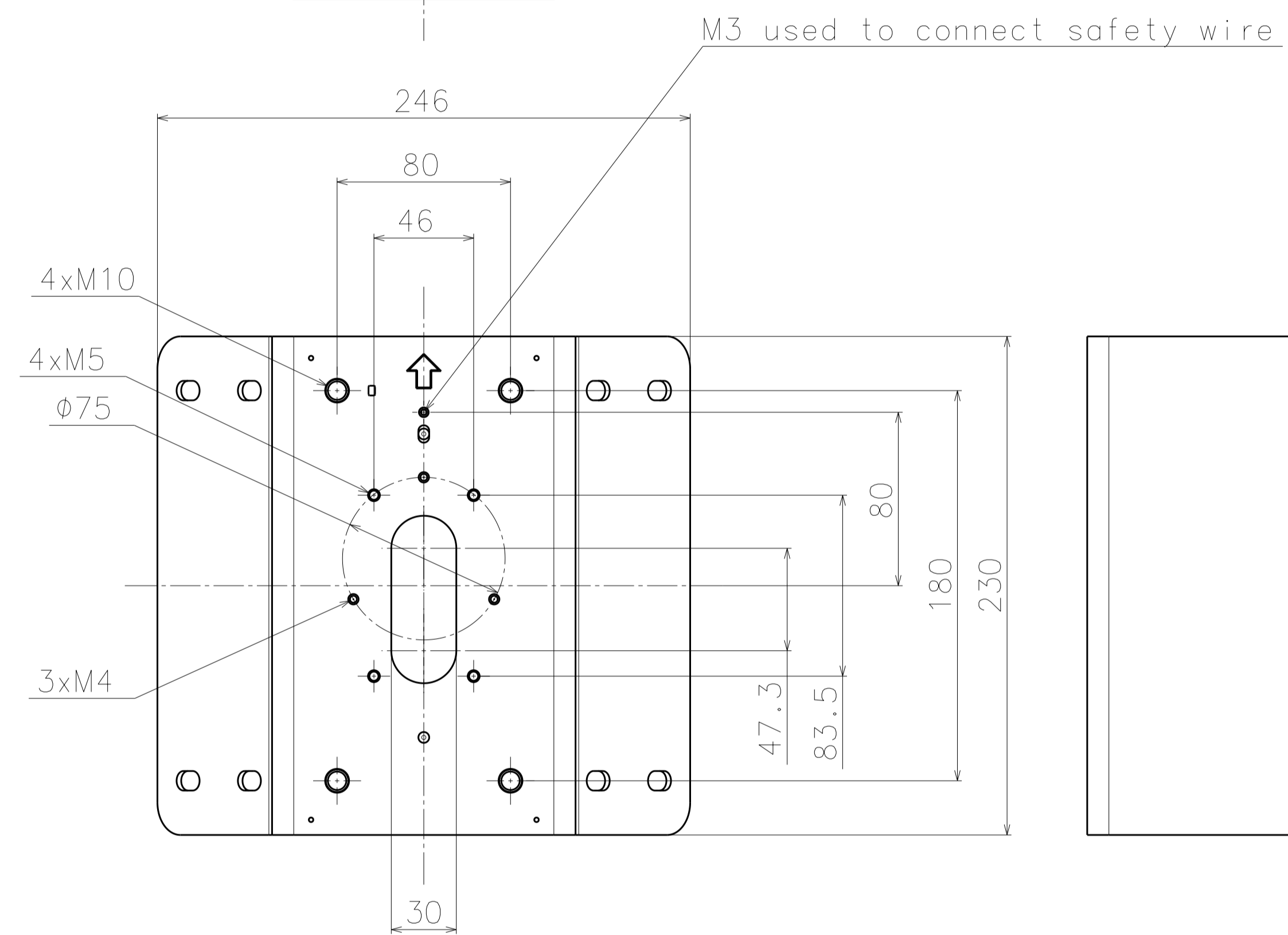
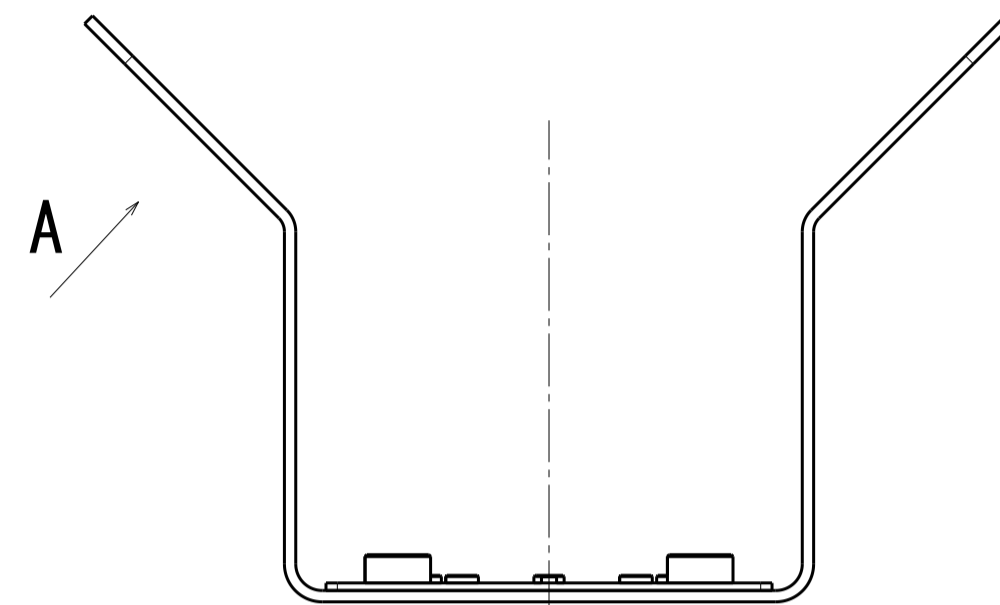
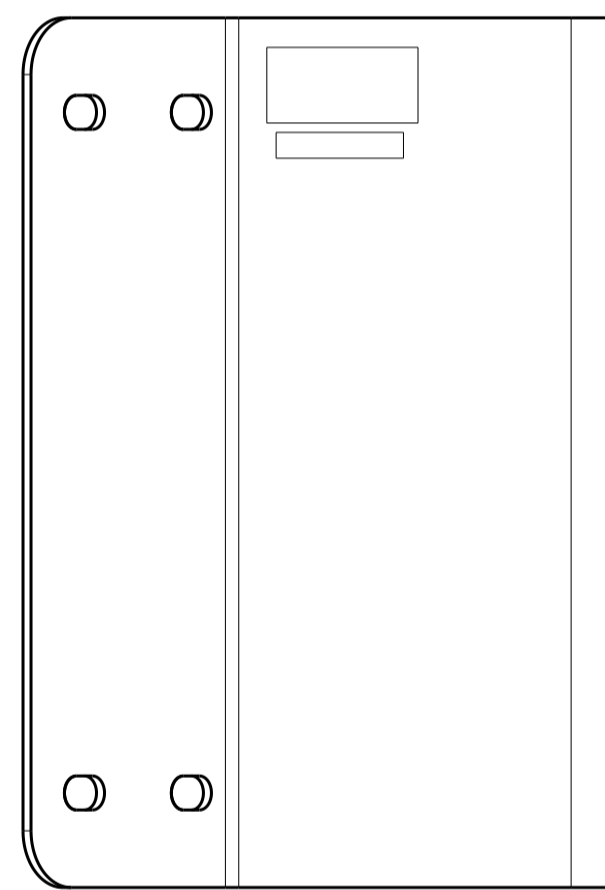


View A

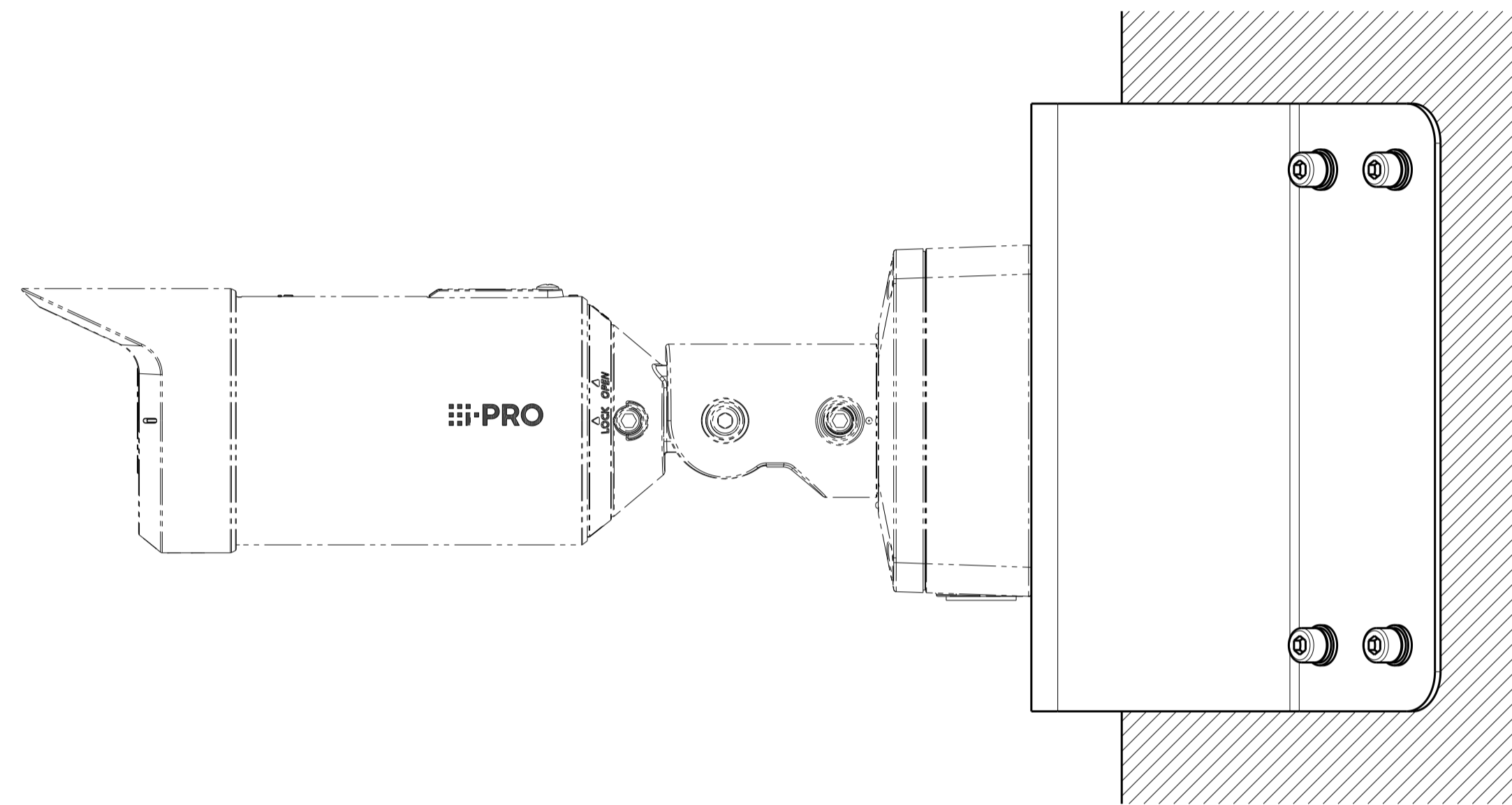


Model number
WV-Q189UX

	投影面積/Projected area
側面図/Side-view	0.036 (m ²)
平面図/Top-view	0.002 (m ²)

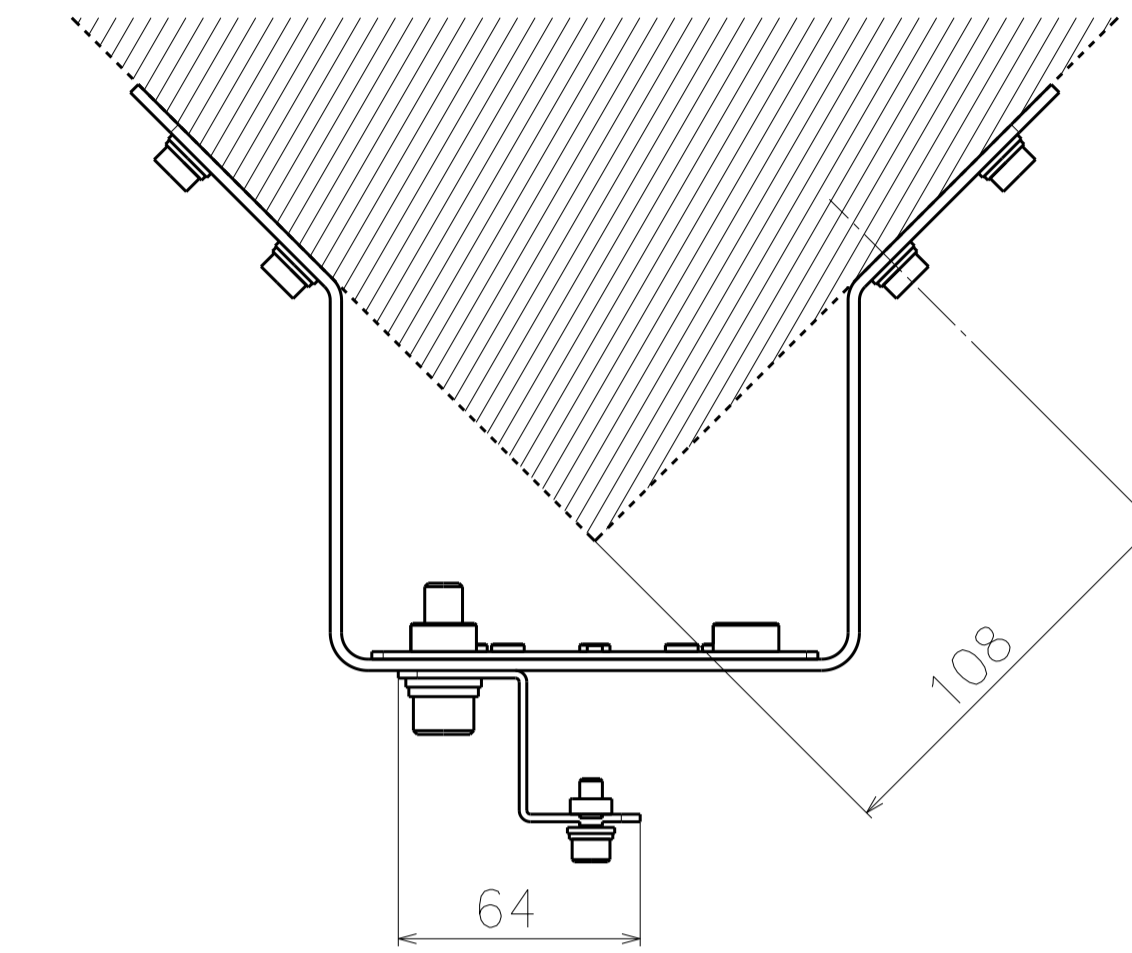
Mass : Approx. 1.3 kg {2.87 lbs}

カメラとの組み合わせ例
Example of combination with a camera

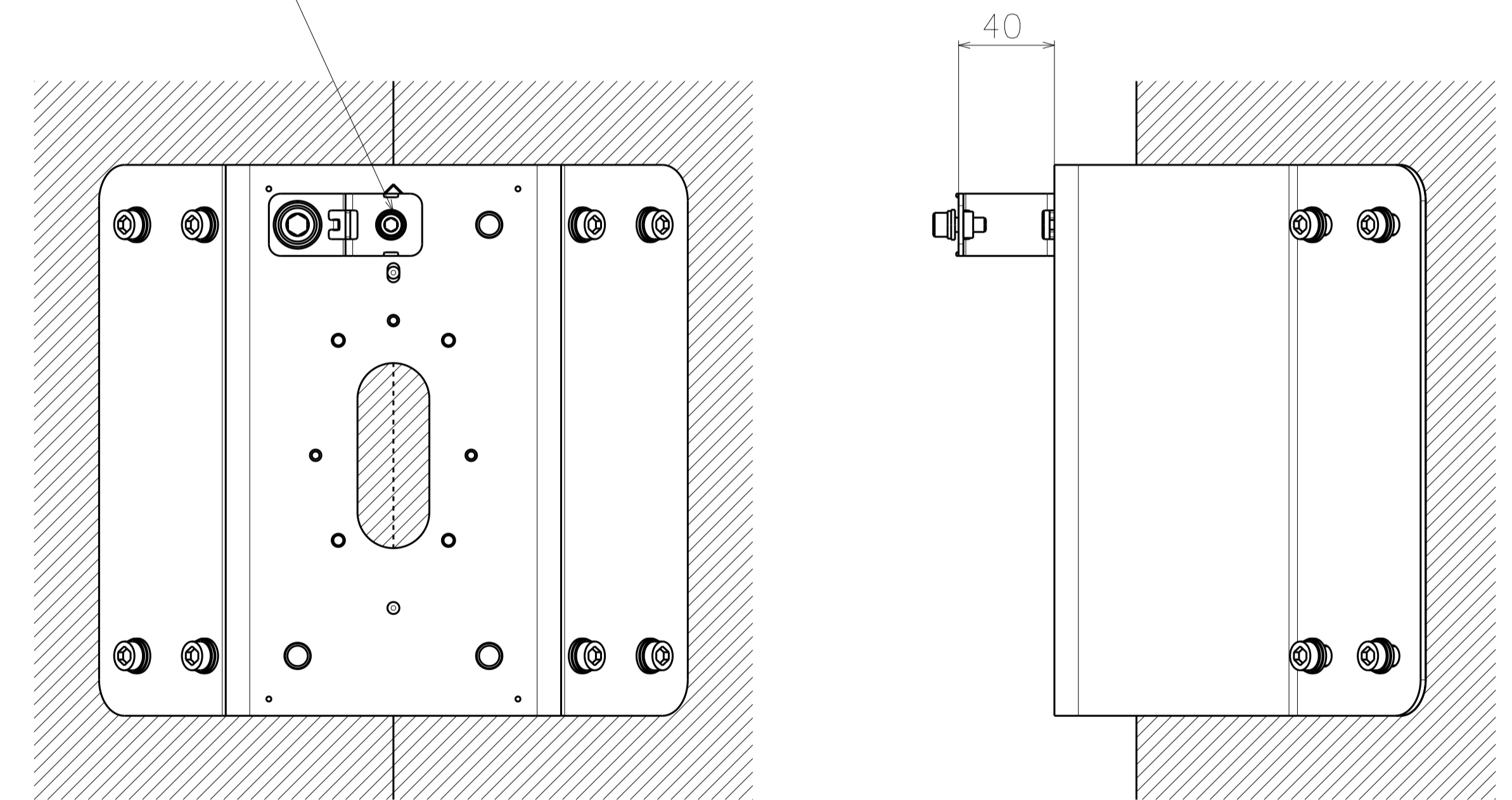


	投影面積/Projected area
側面図/Side-view	0.066 (m ²)
平面図/Top-view	0.035 (m ²)

Fix with 4xM4 screws
(with WV-S1536LTNUX)
S=1:4



M6 used to connect safety wire



INSTALLATION STATUS
S=1:2