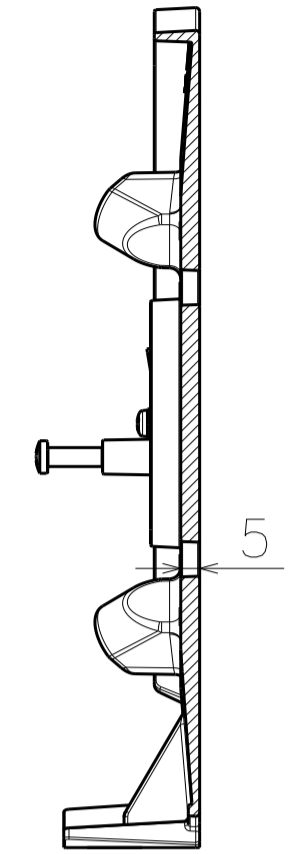
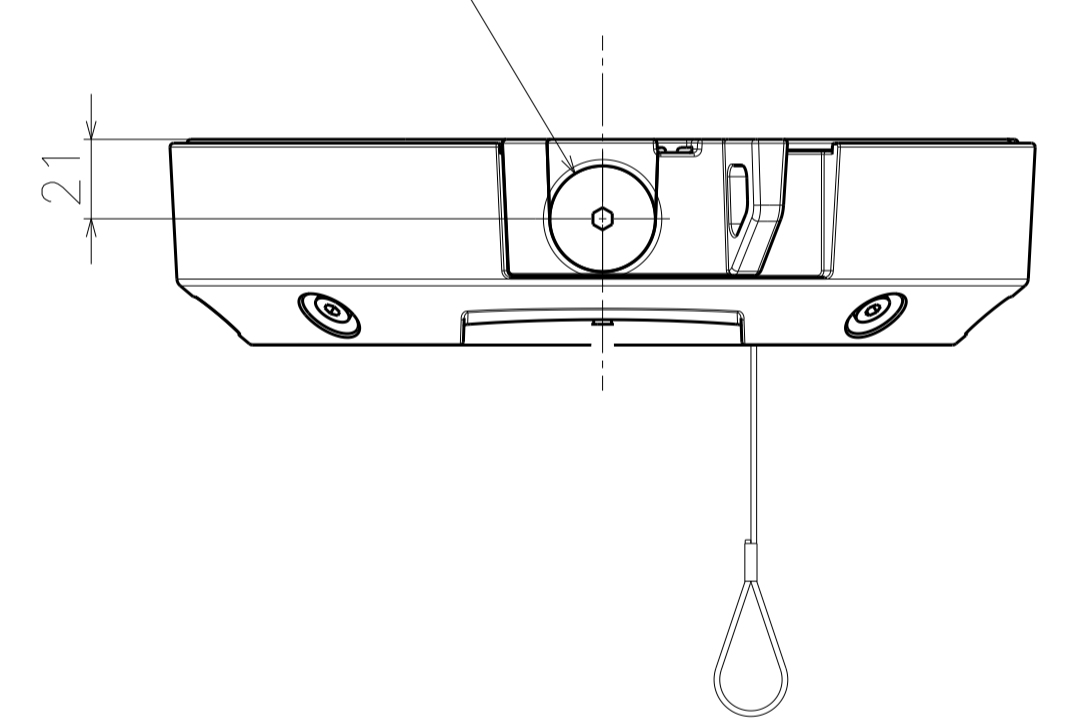
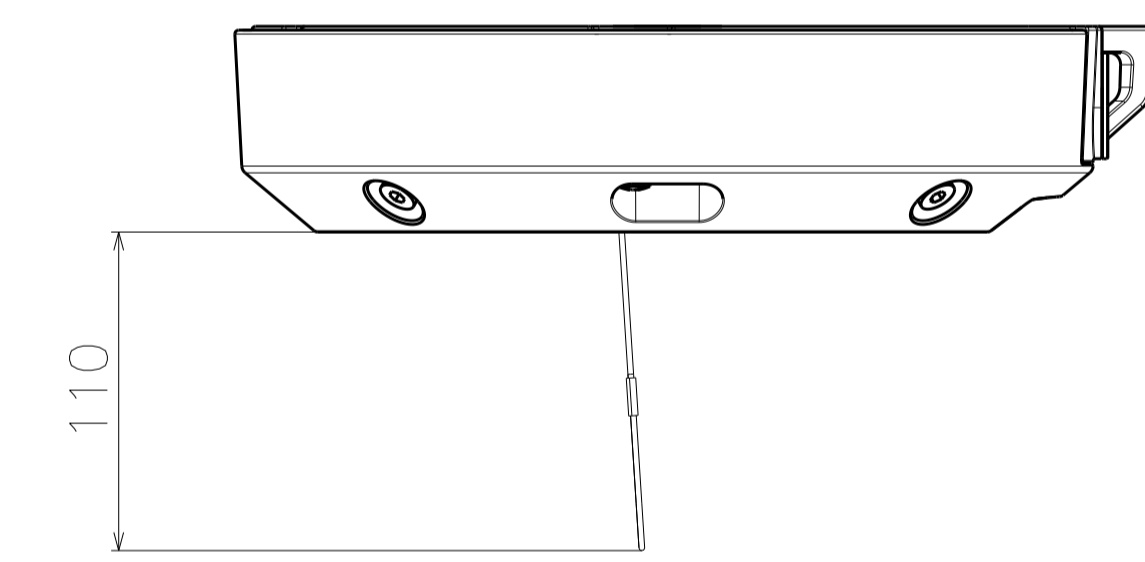
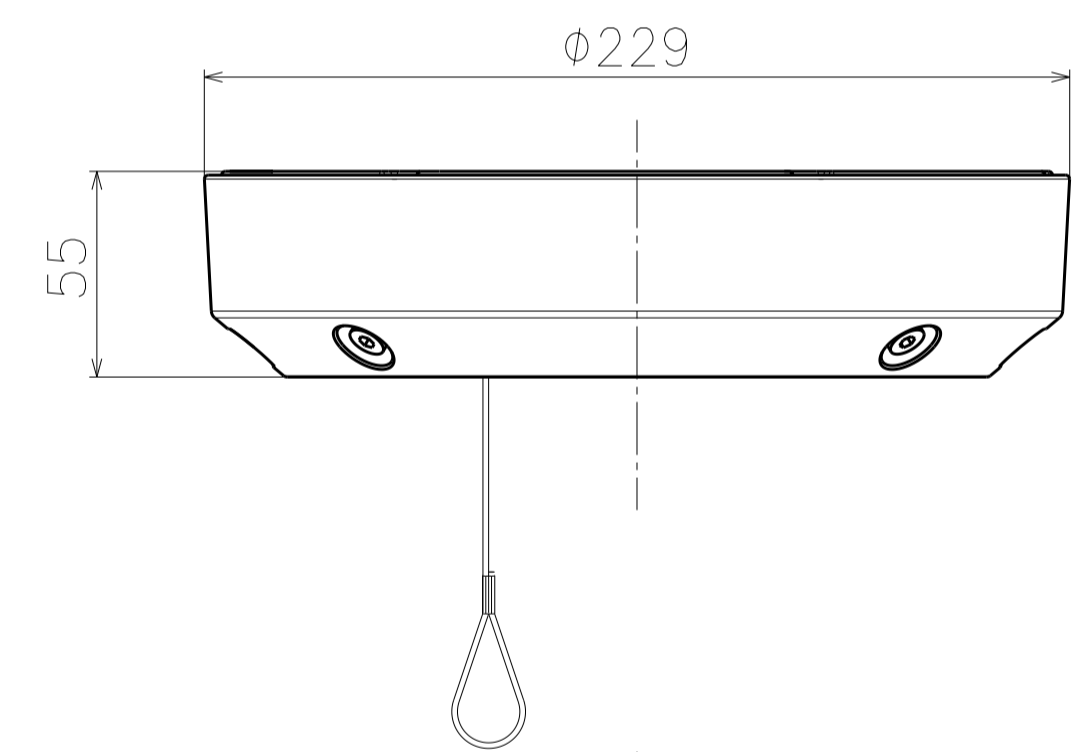
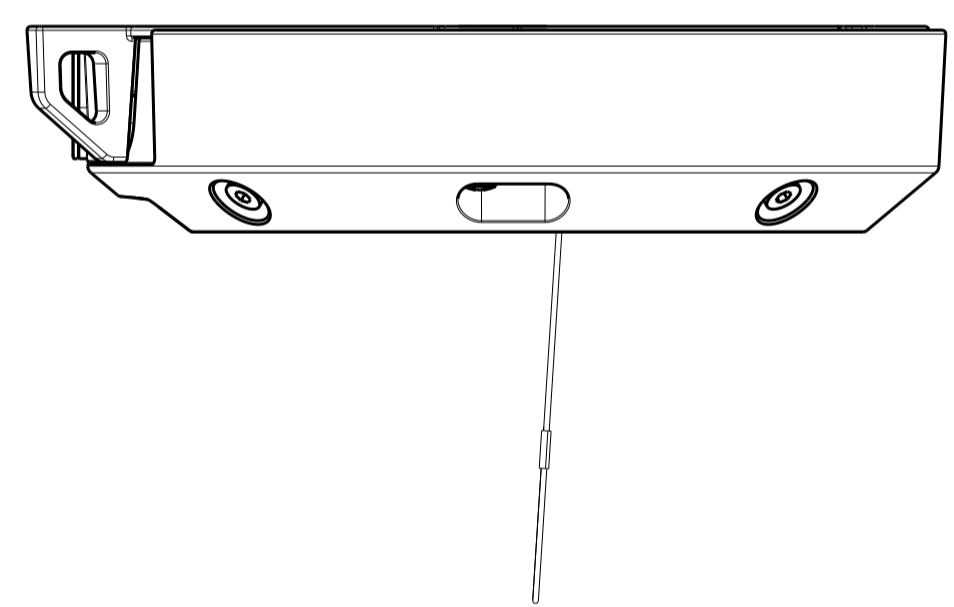
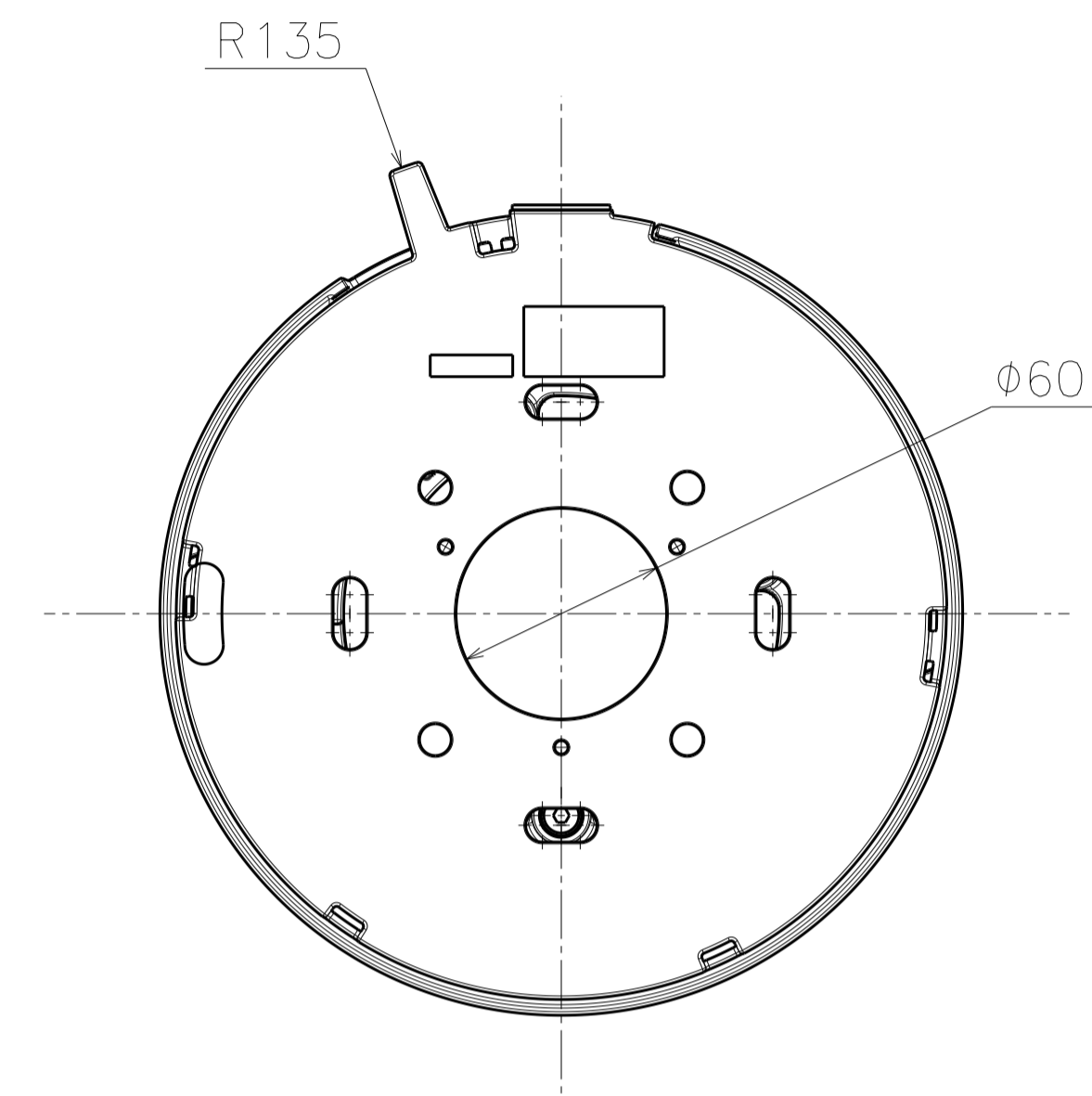


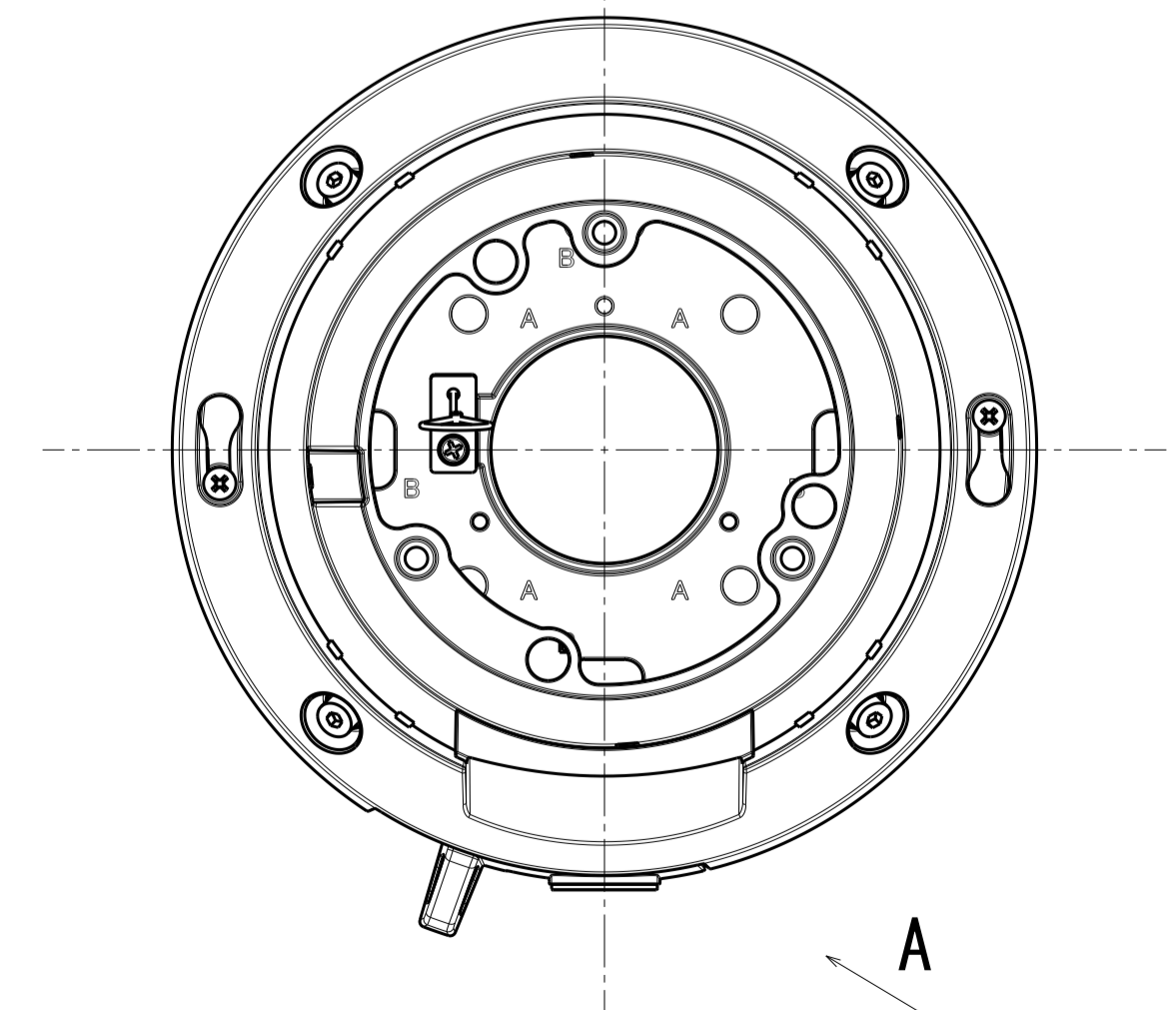
Base (Without Cover)



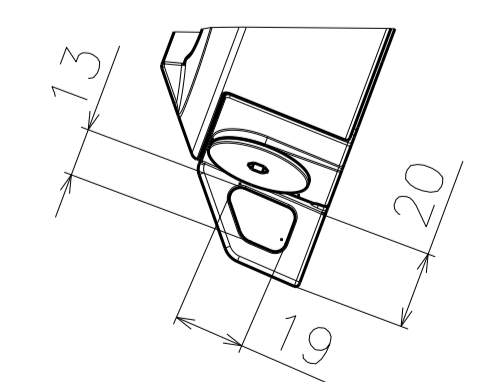
Sec B-B



接続管用めねじ
CTG22 または G 3/4
Female thread for conduit
NPSM 3/4 or G 3/4



A



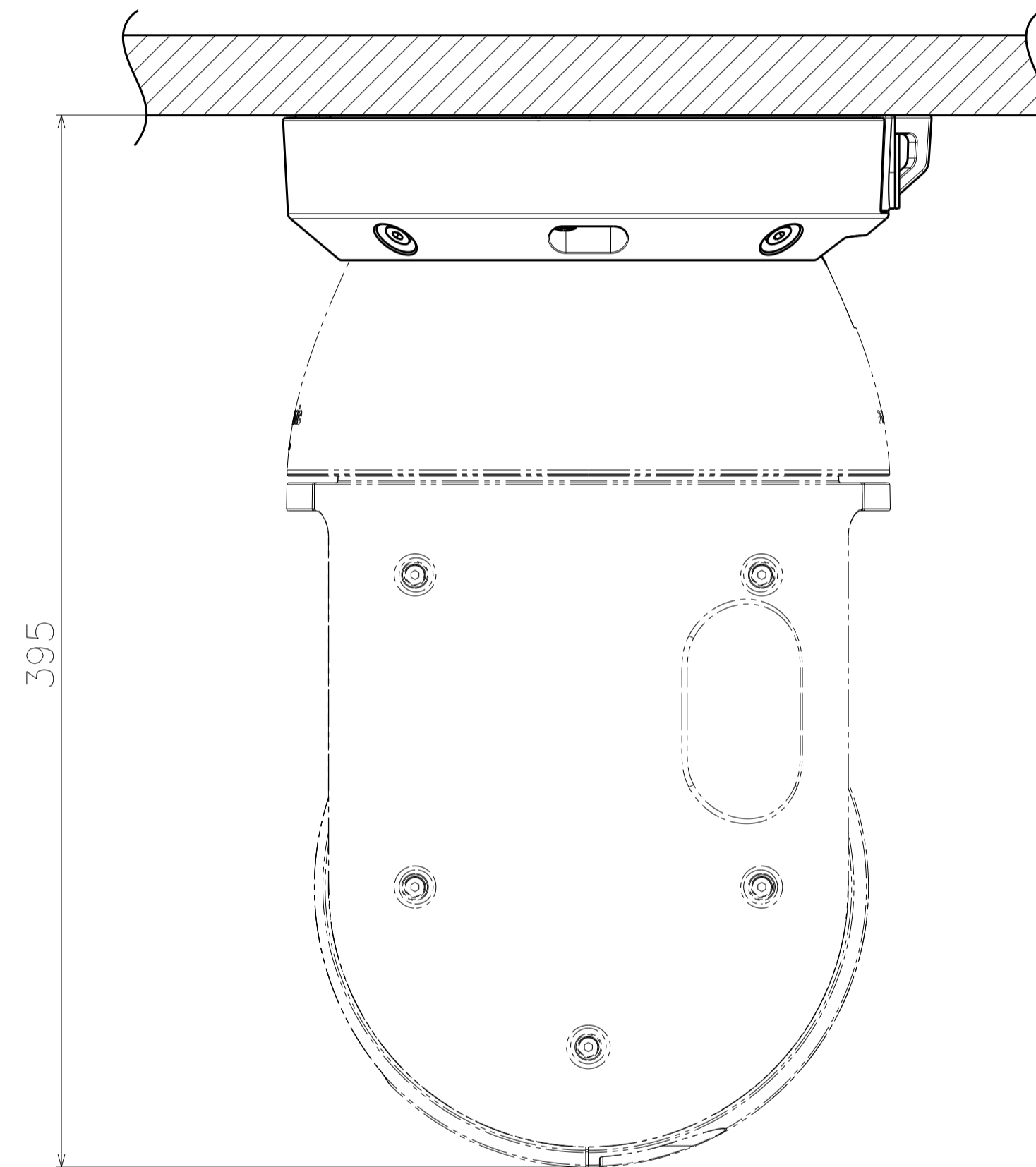
View A

Model number
WV-QCL500-SUX

	投影面積/Projected area
正面図/Front-view	0.012 (m ²)
側面図/Side-view	

Mass : Approx. 1.3 kg {2.87 lbs}

カメラとの組み合わせ例
Example of combination with a camera



Attach to WV-X6533LNUX

	投影面積/Projected area
正面図/Front-view	0.083 (m ²)
側面図/Side-view	0.077 (m ²)

Model number
WV-QCL500-SUX