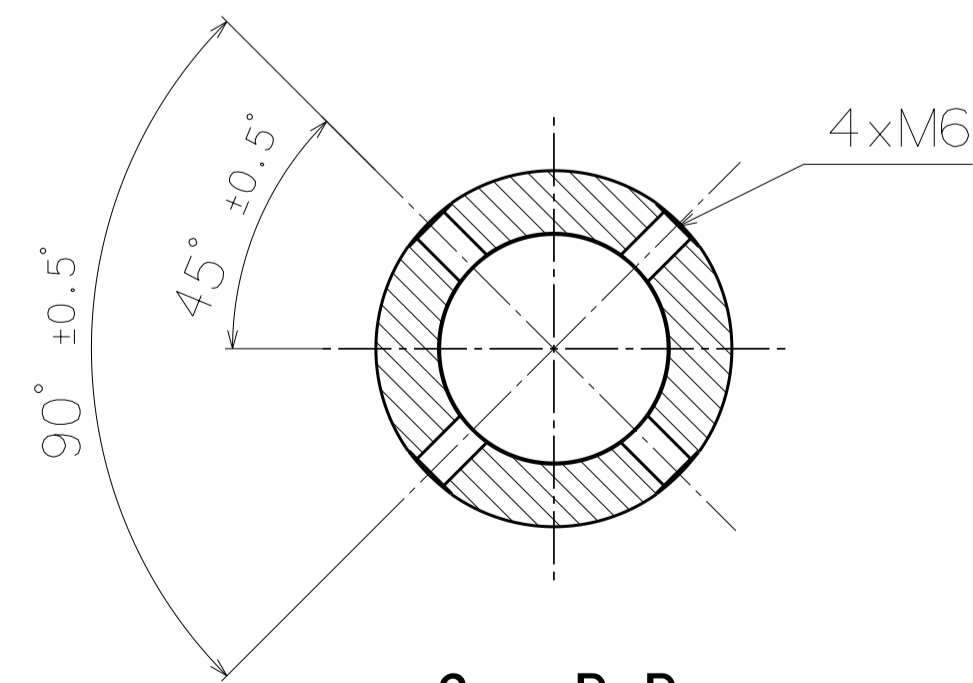
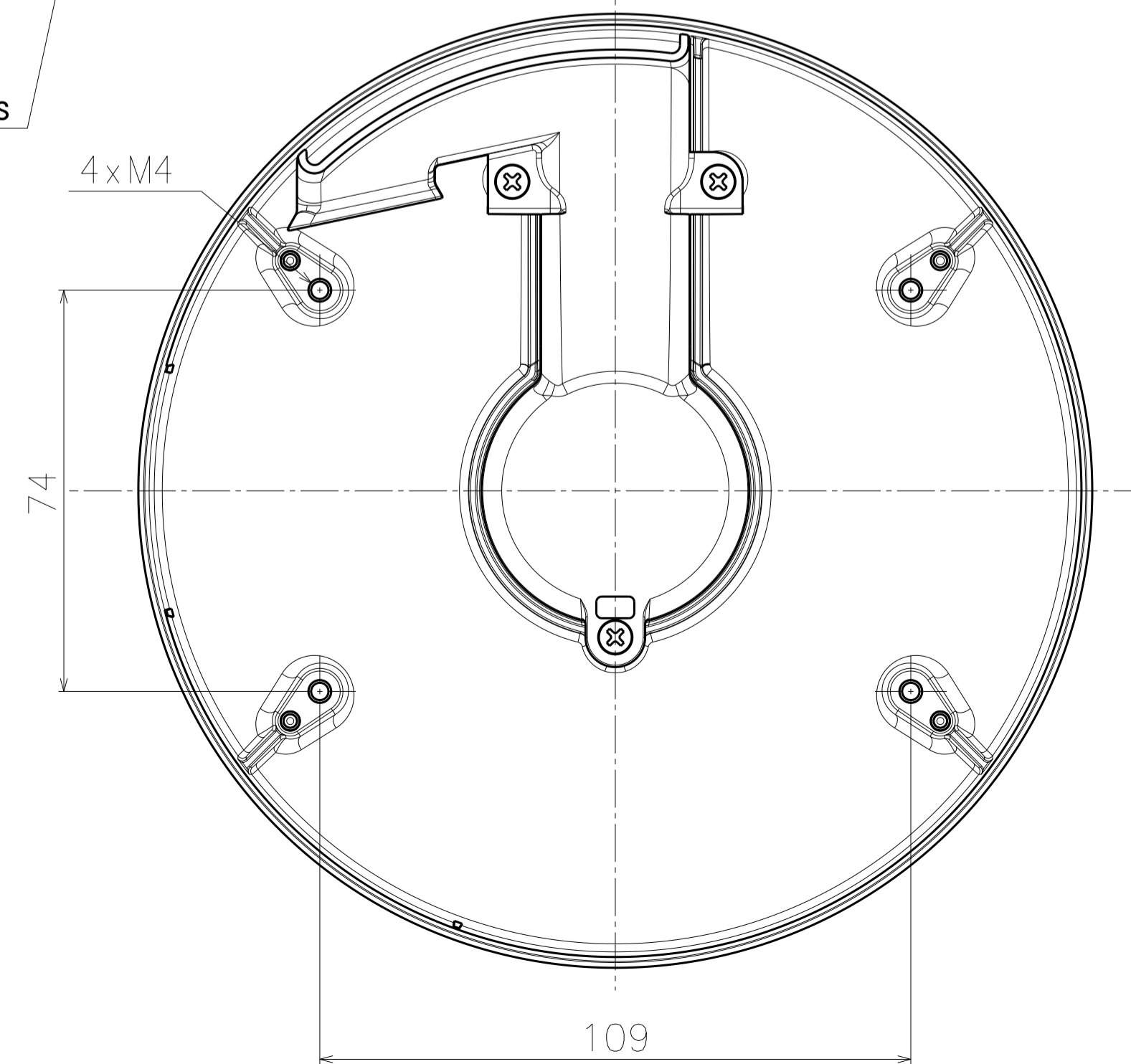


カメラ及びベースガイドプレート取付基準
Camera and base guide plate mounting standards



Sec B-B

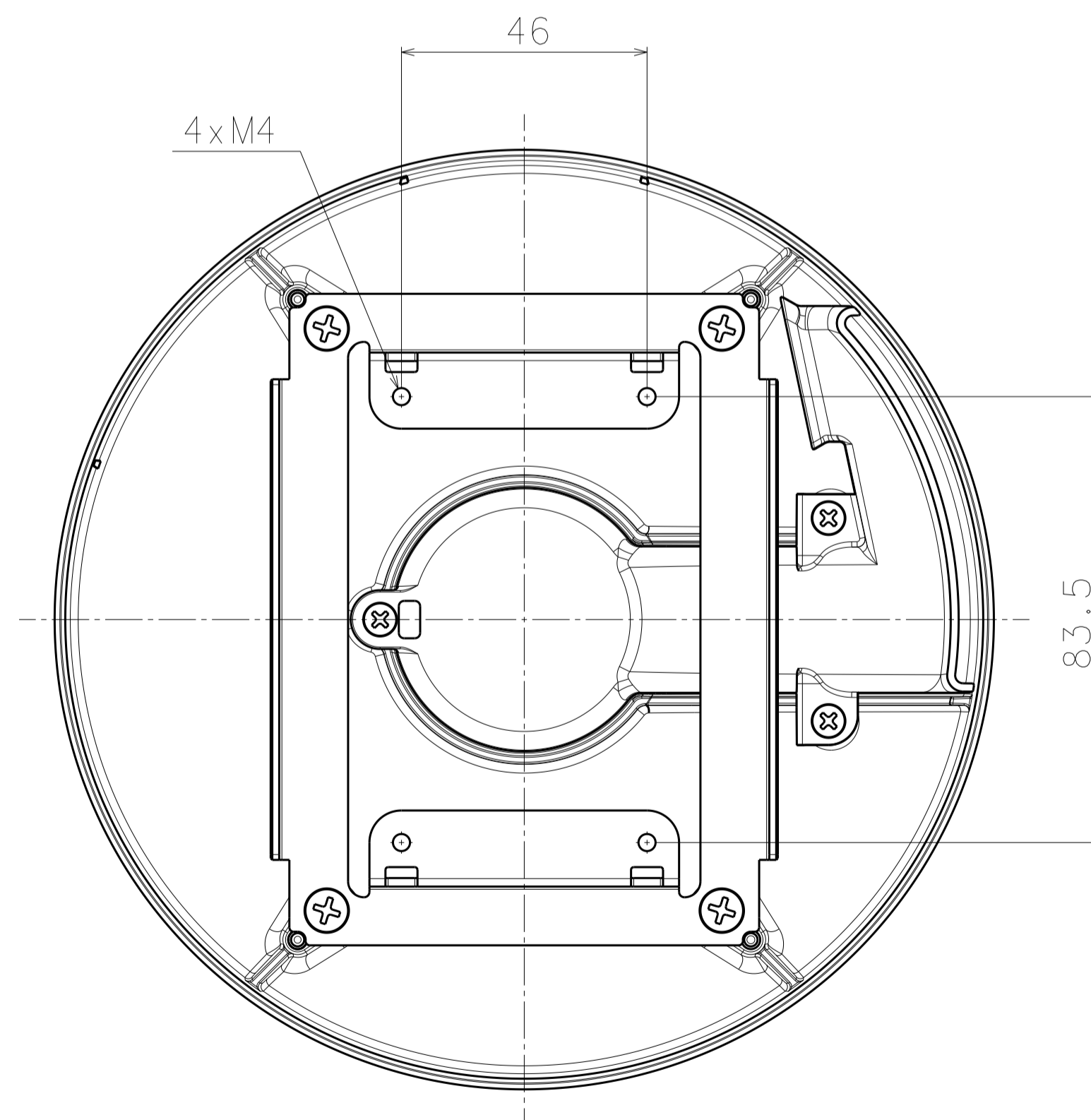
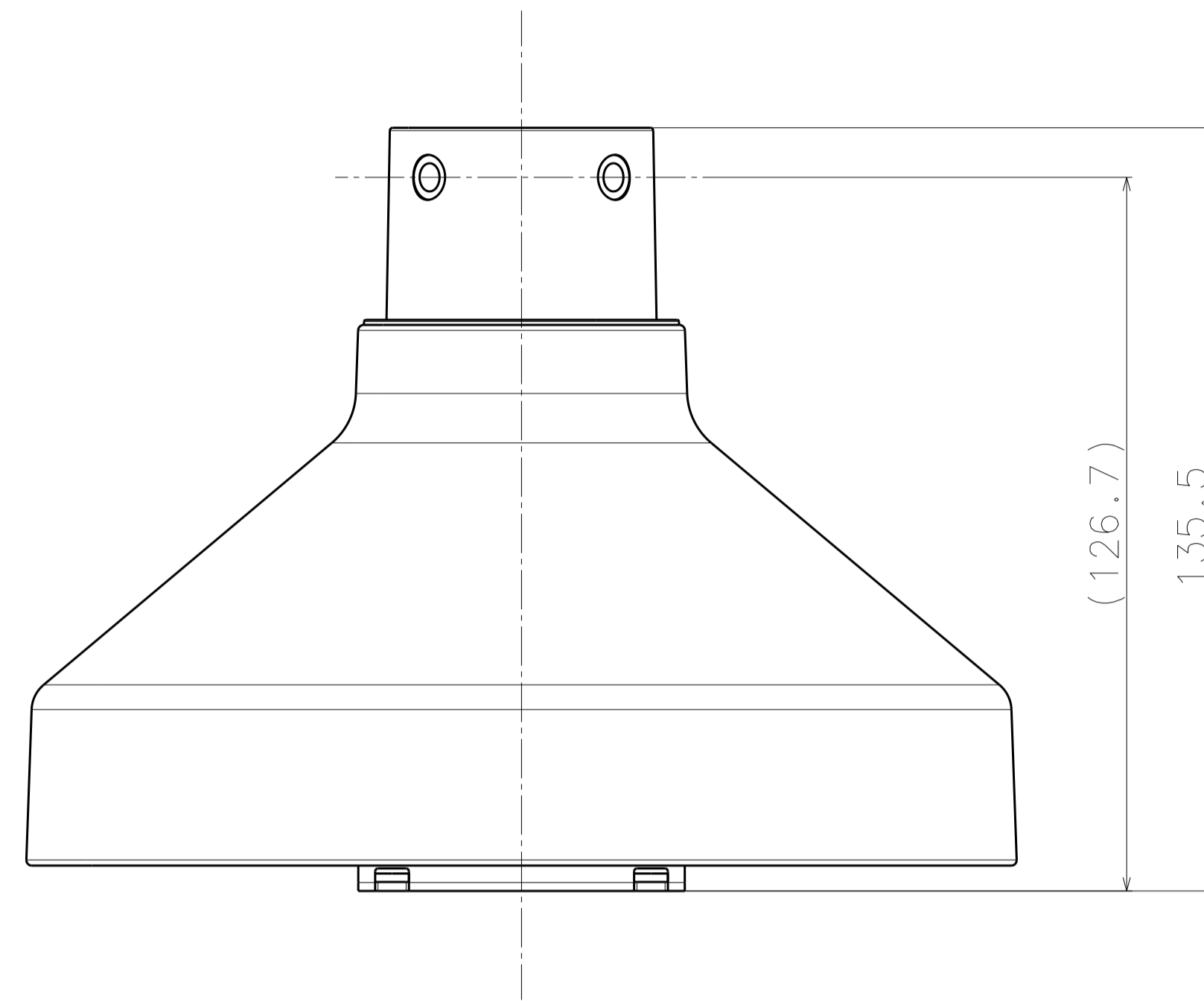


Sec A-A

Model number
WV-Q124UX

	投影面積/Projected area
側面図/Side-view (嵌合部除く) (Excluding the mating part)	0.012 (m ²)

Mass : Approx. 480 g {1.06 lbs} (Main body)
Approx. 140 g {0.31 lbs} (Base guide plate and others)



Attach to Base guide plate

Model number
WV-Q124UX