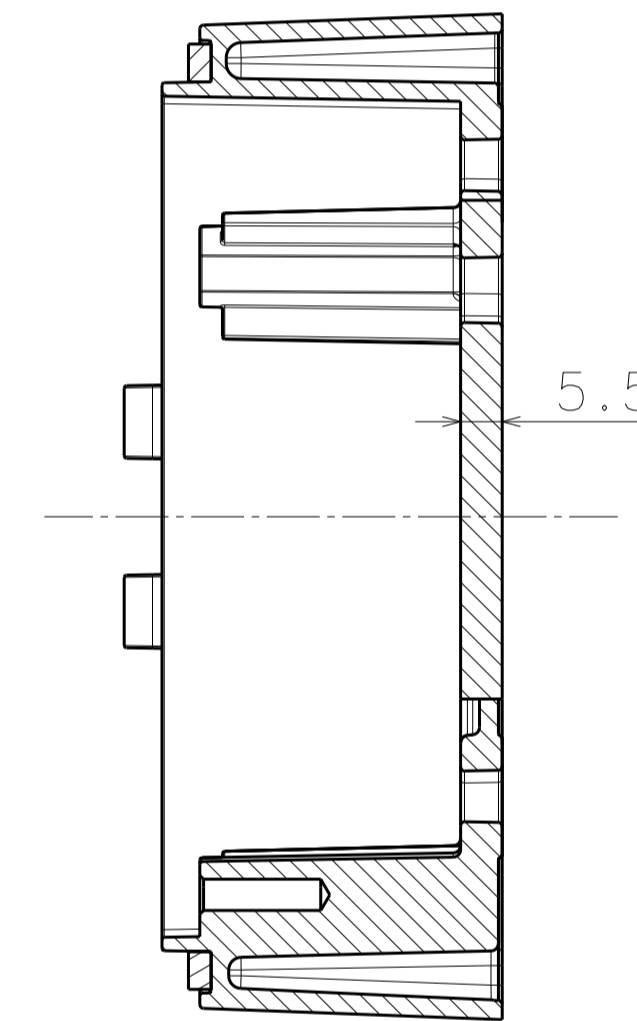
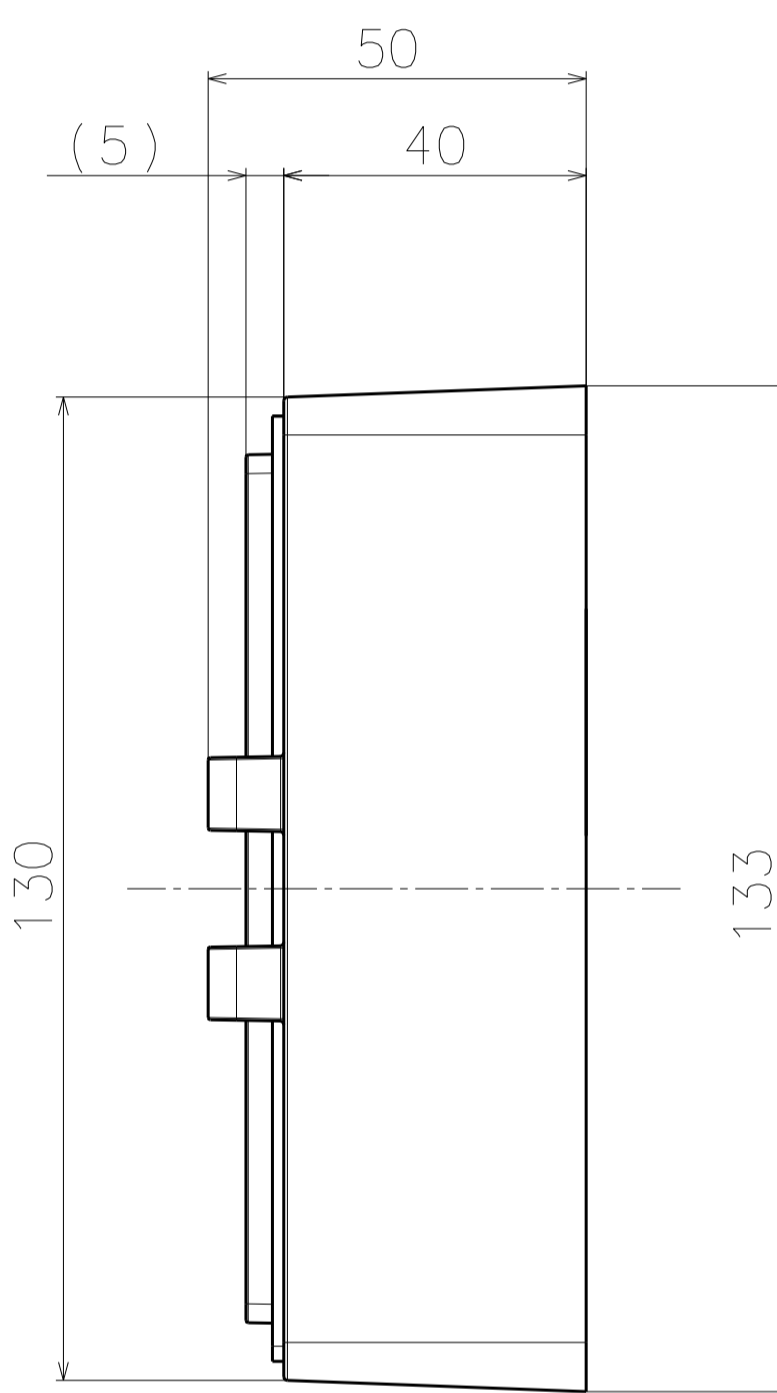
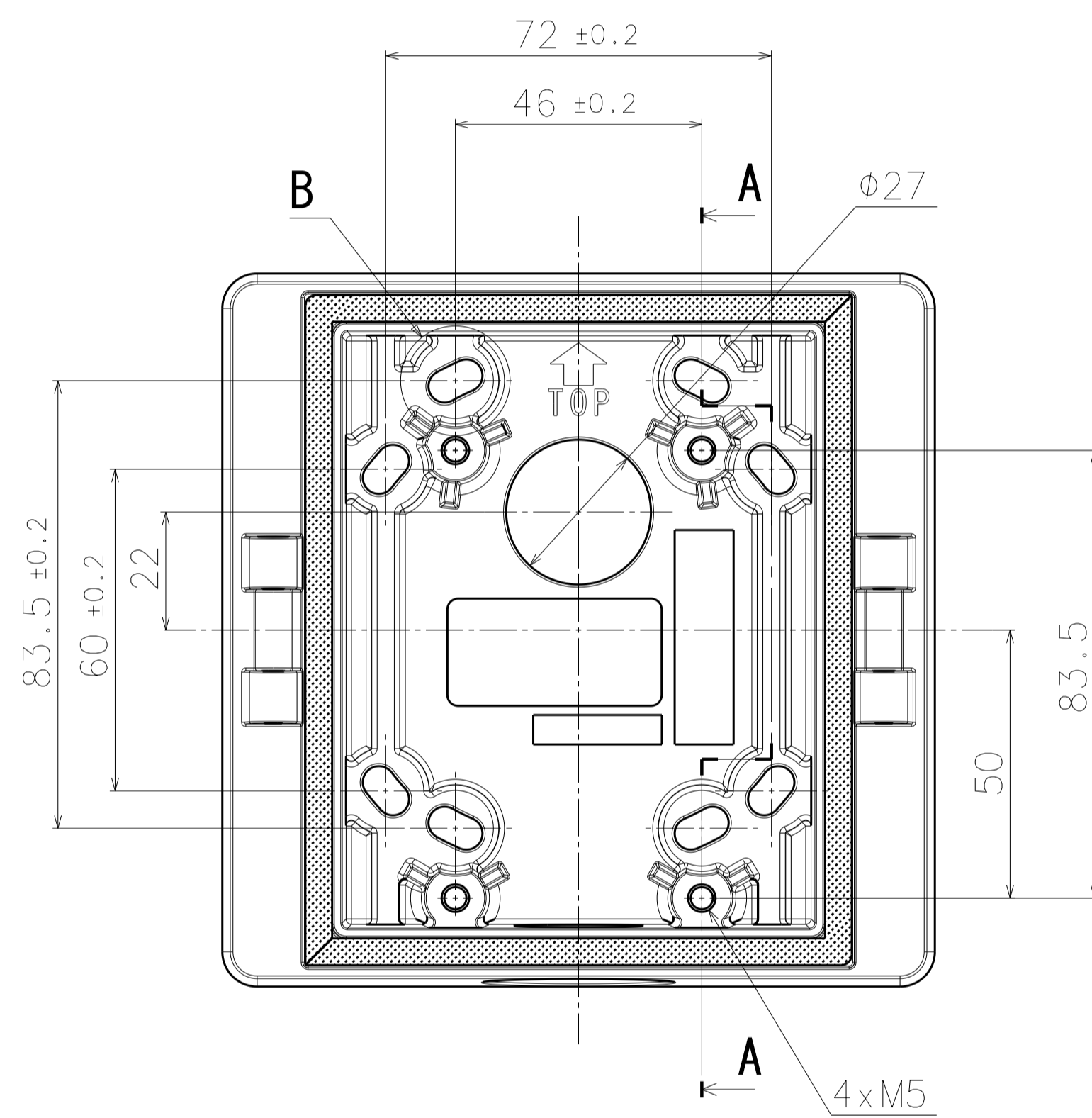
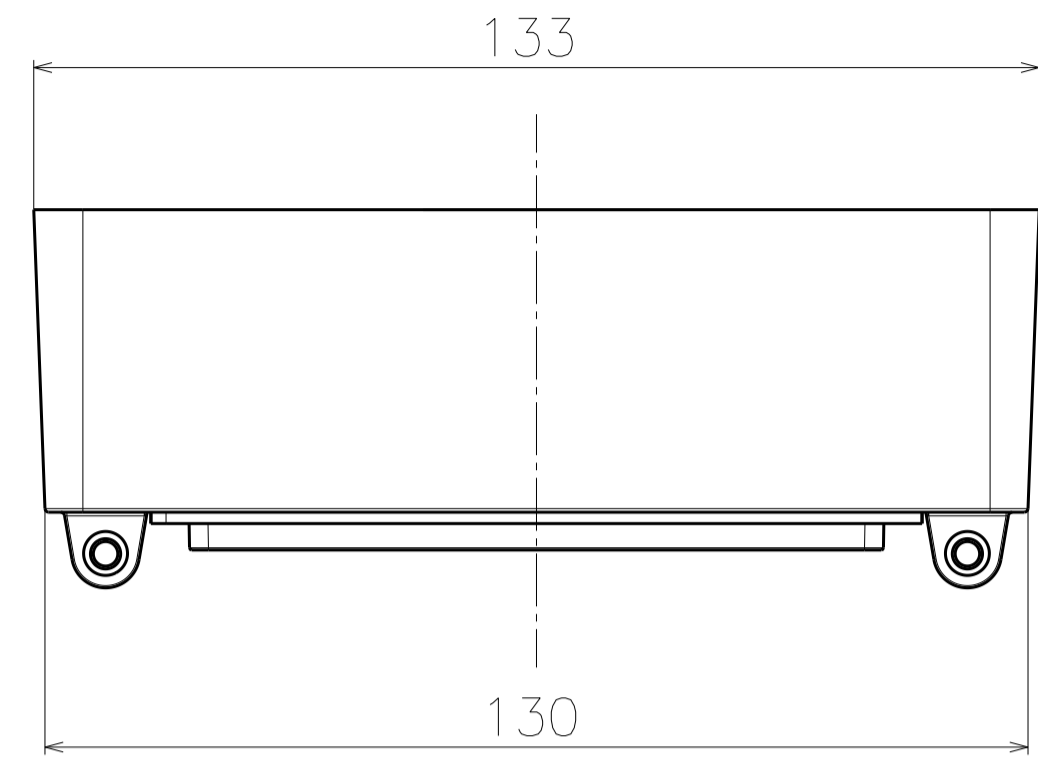
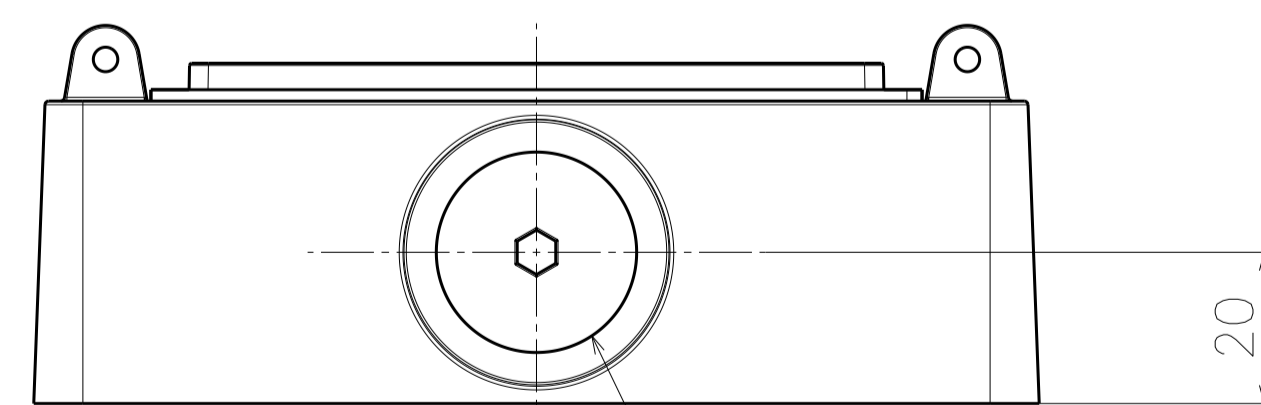
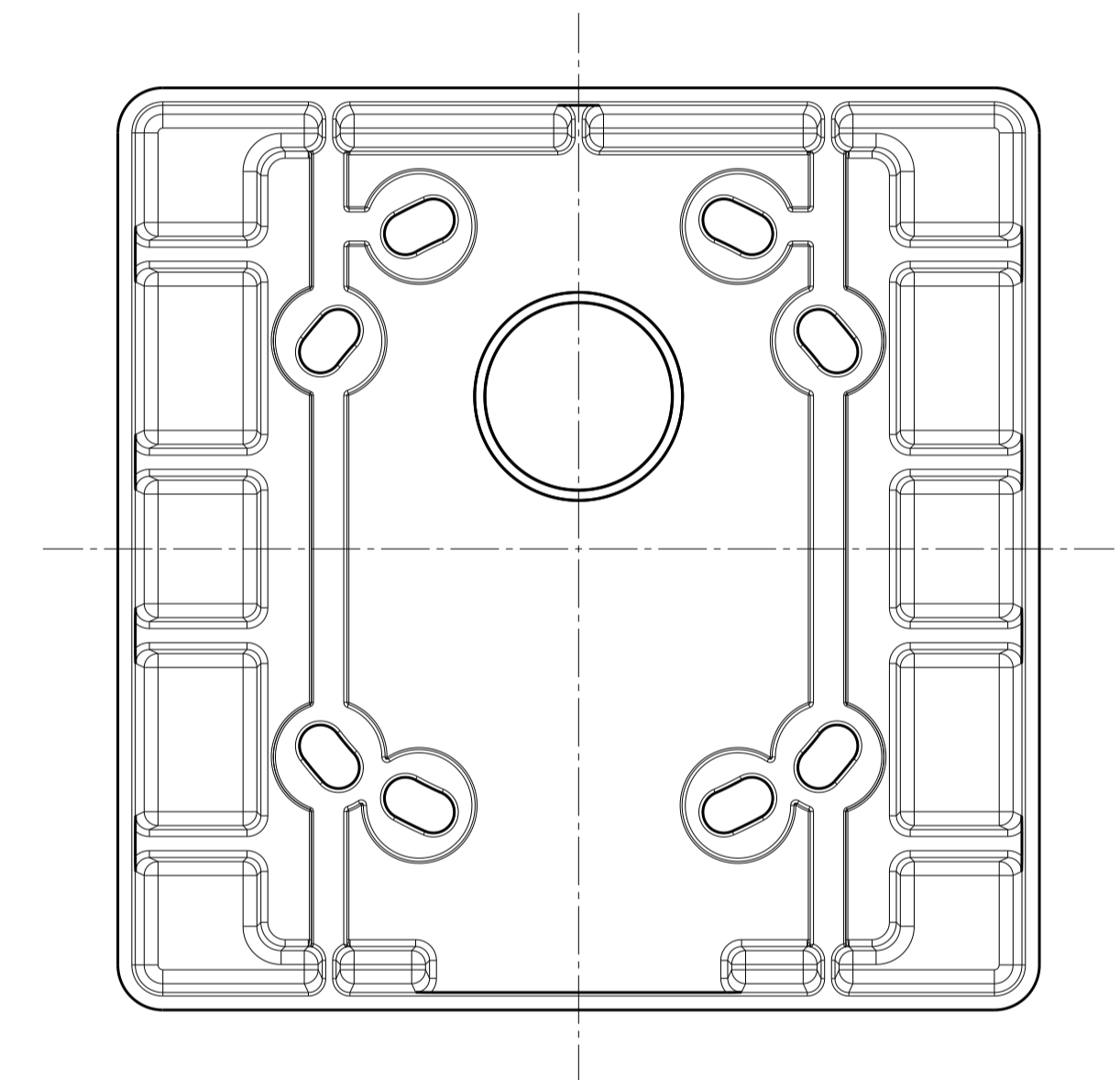


Detail B (2:1)
8 places



Sec A-A



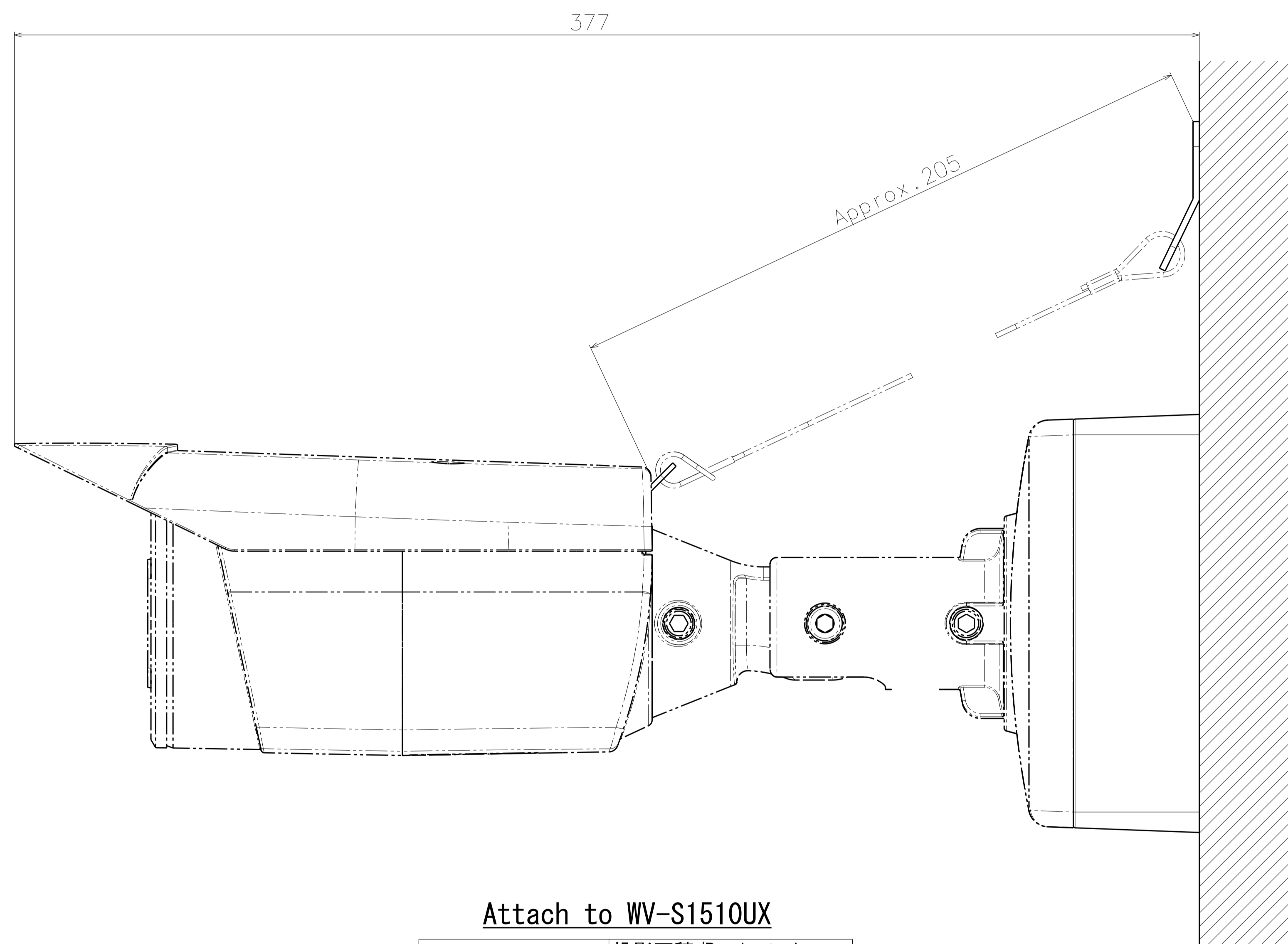
接続管用めねじ
CTG22 または G3/4
Female thread for conduit
NPSM3/4 or G3/4

Model number	Coating
WV-Q120AUX	Silver
WV-Q120ASUX	Silver (Heavy salt damage resistance)

側面図/Side-view	投影面積/Projected area 0.005 (m ²)
---------------	--

Mass : Approx. 510 g {1.13 lbs}

金具との組み合わせ例
Example of combination with bracket



Attach to WV-S1510UX

	投影面積/Projected area
平面図/Top-view	0.031 (m ²)
側面図/Side-view	0.028 (m ²)

Model number
WV-Q120AUX