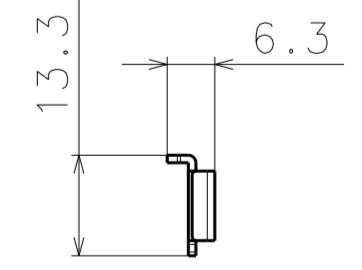
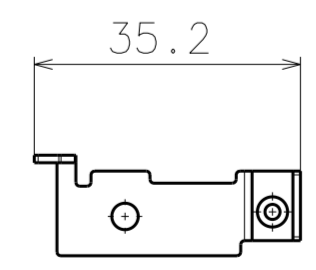
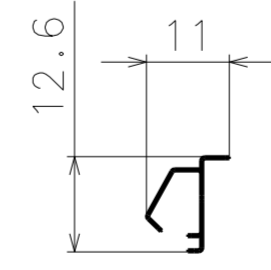
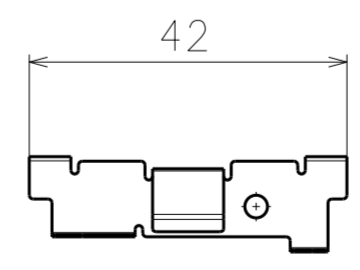
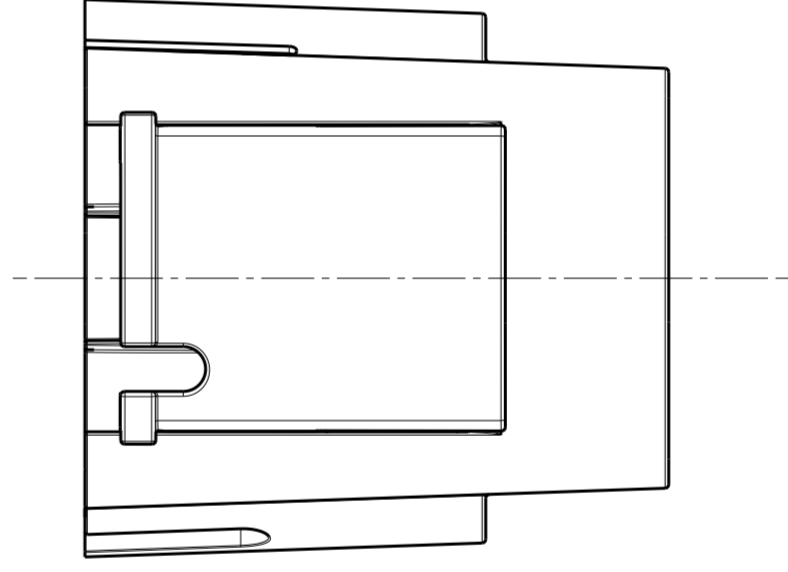


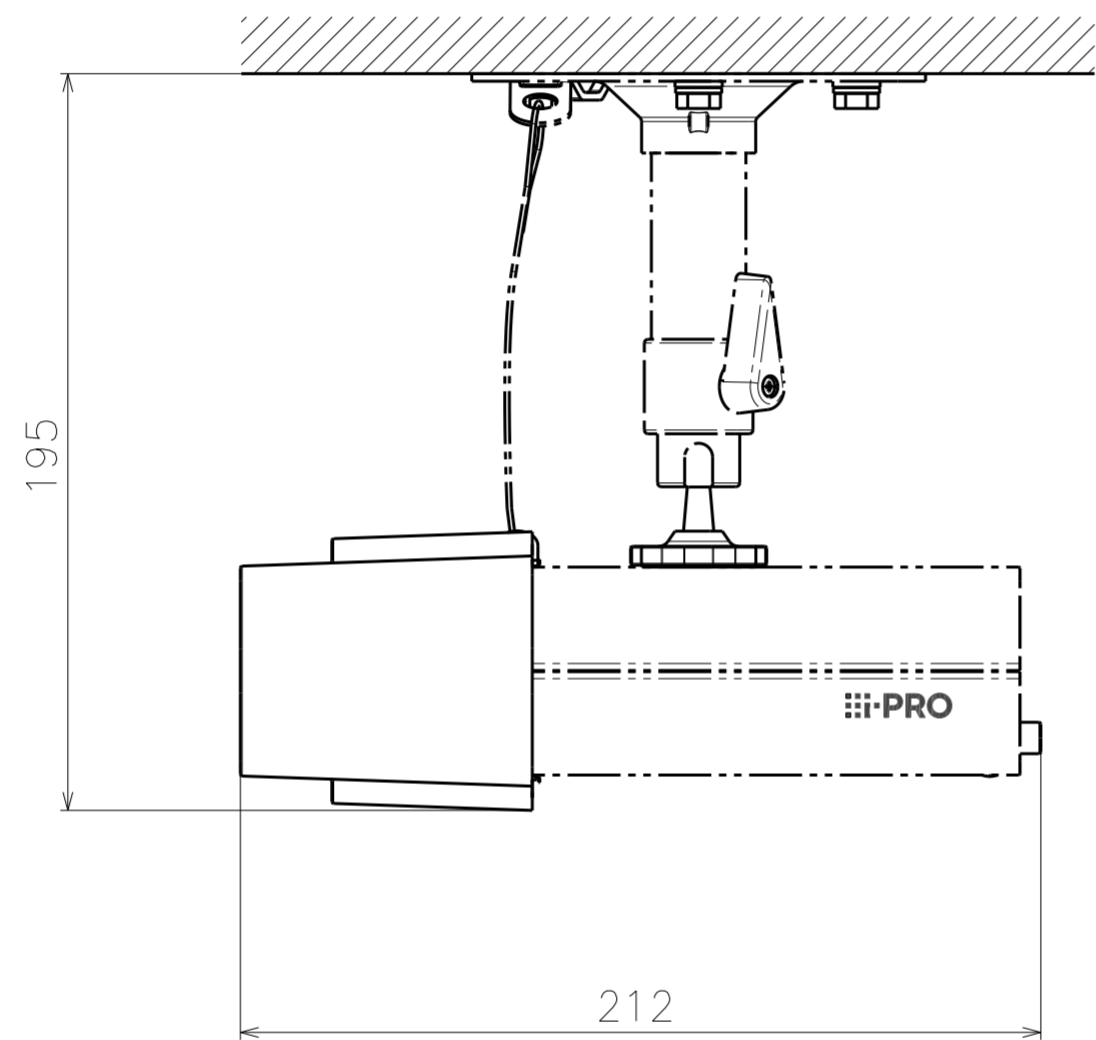
Sec A-A



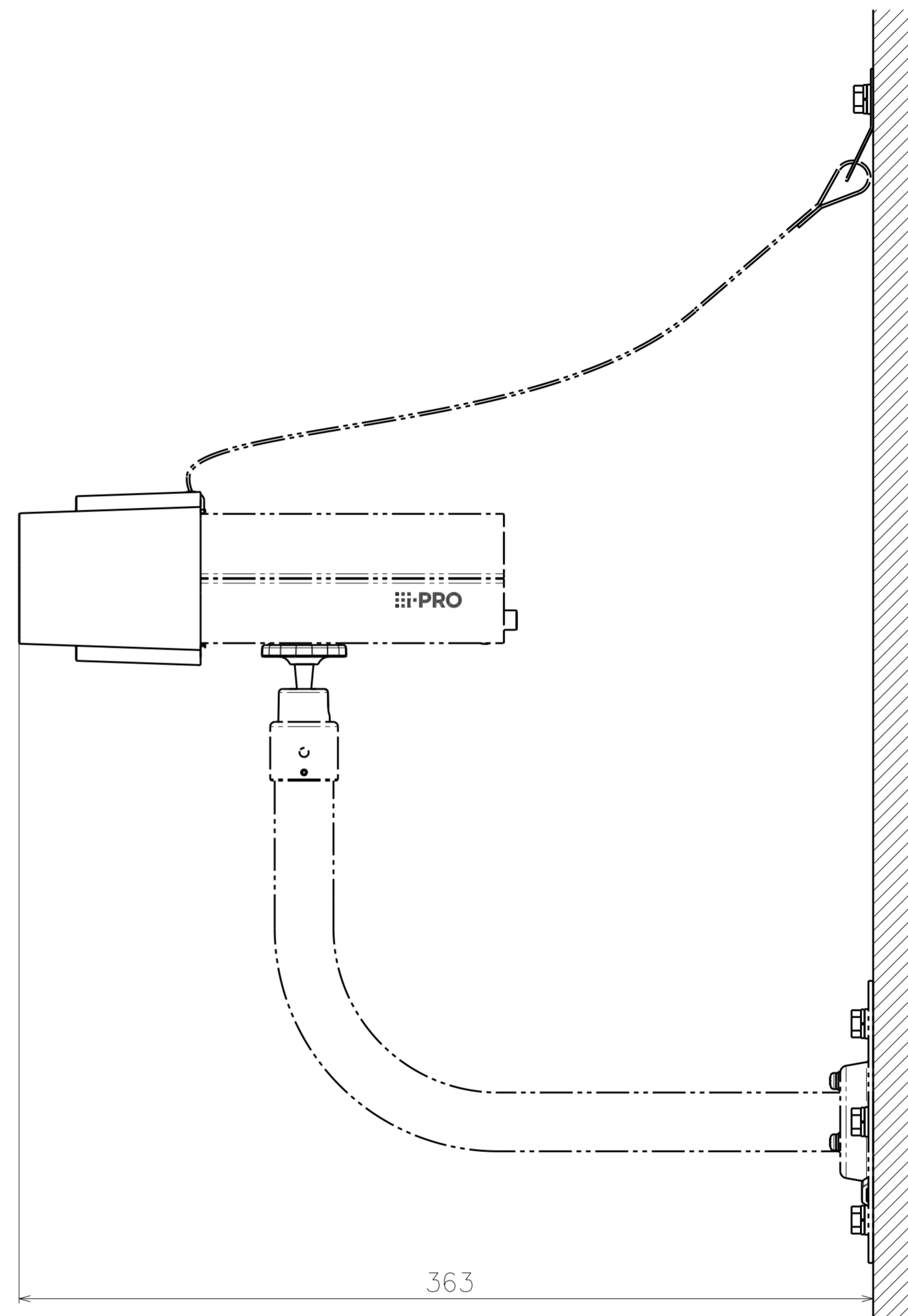
Mass : Approx. 60 g {0.13 lbs}

Model number
WV-CP1CUX

カメラとの組み合わせ例
Example of combination with a camera



Attach to WV-S1136UX & WV-Q180UX



Attach to WV-S1136UX & WV-Q181UX