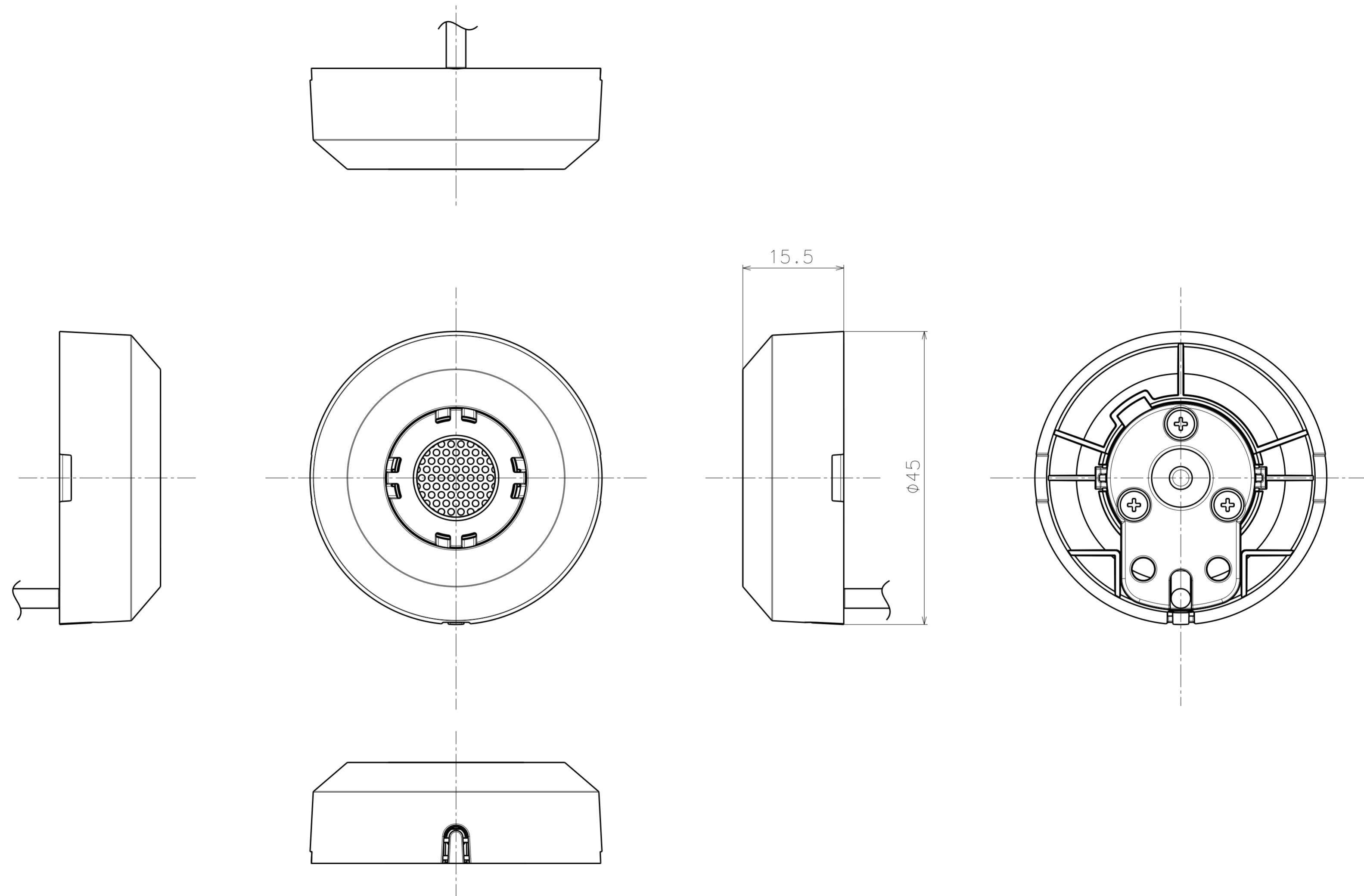


Model number
WV-PM500

Mass : Approx. 50 g {0.11 lbs} (Including cable part)

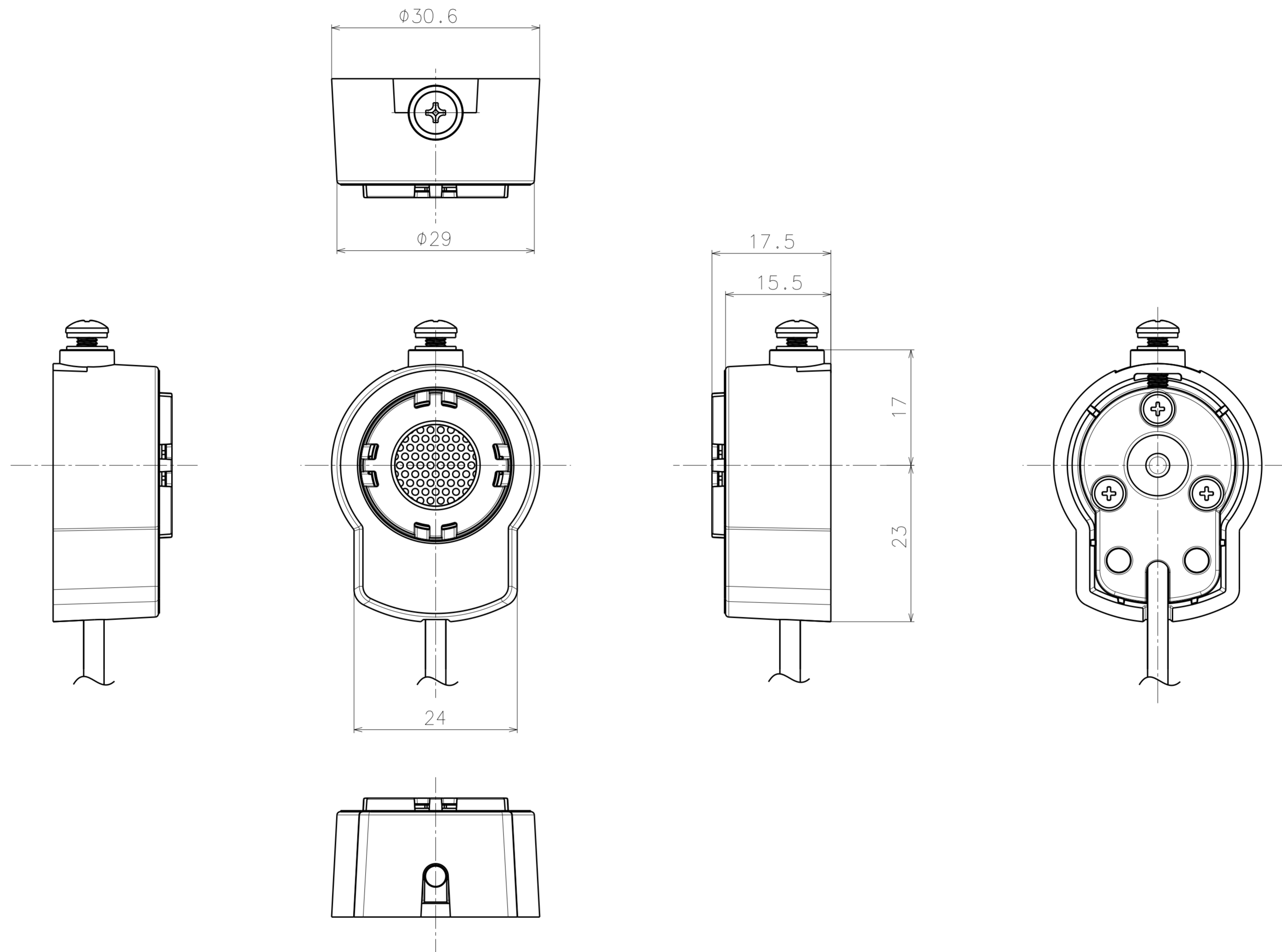


With cover A

Model number
WV-PM500

	投影面積/Projected area
側面図/Side-view	0.001 (m ²)

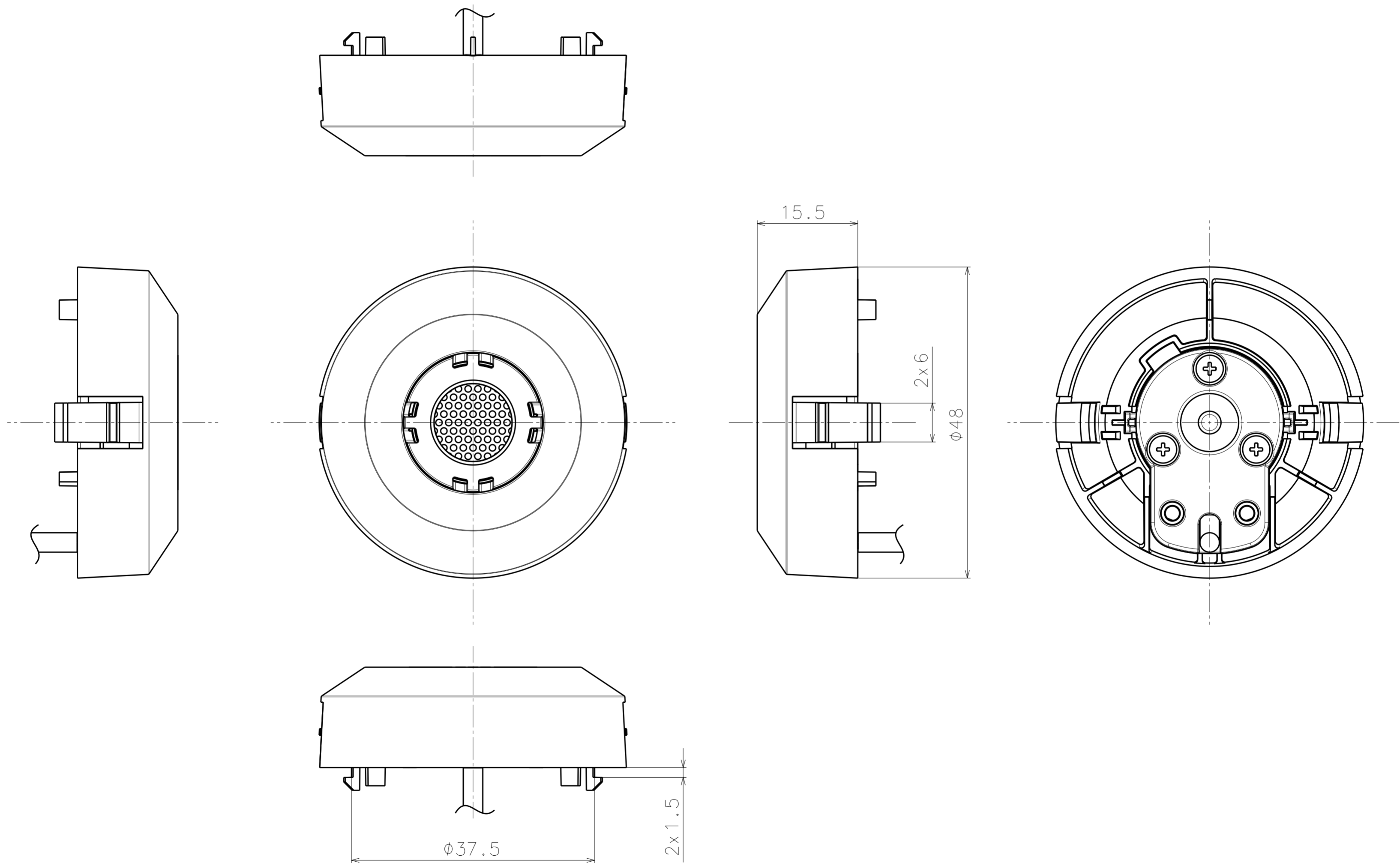
Mass : Approx. 60 g {0.13 lbs} (Including cable part)



With wall mount attachment

Model number
WV-PM500

Mass : Approx. 60 g {0.13 lbs} (Including cable part)

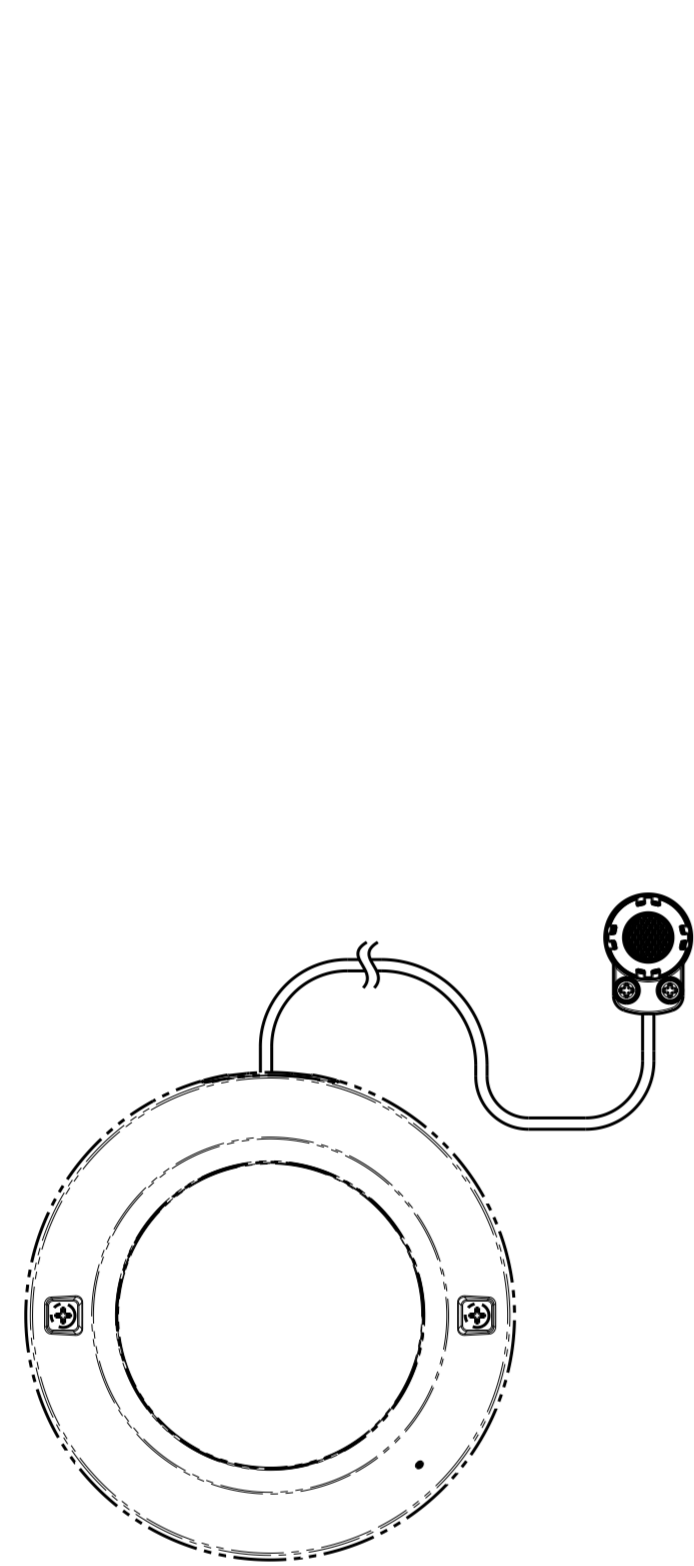


With cover B

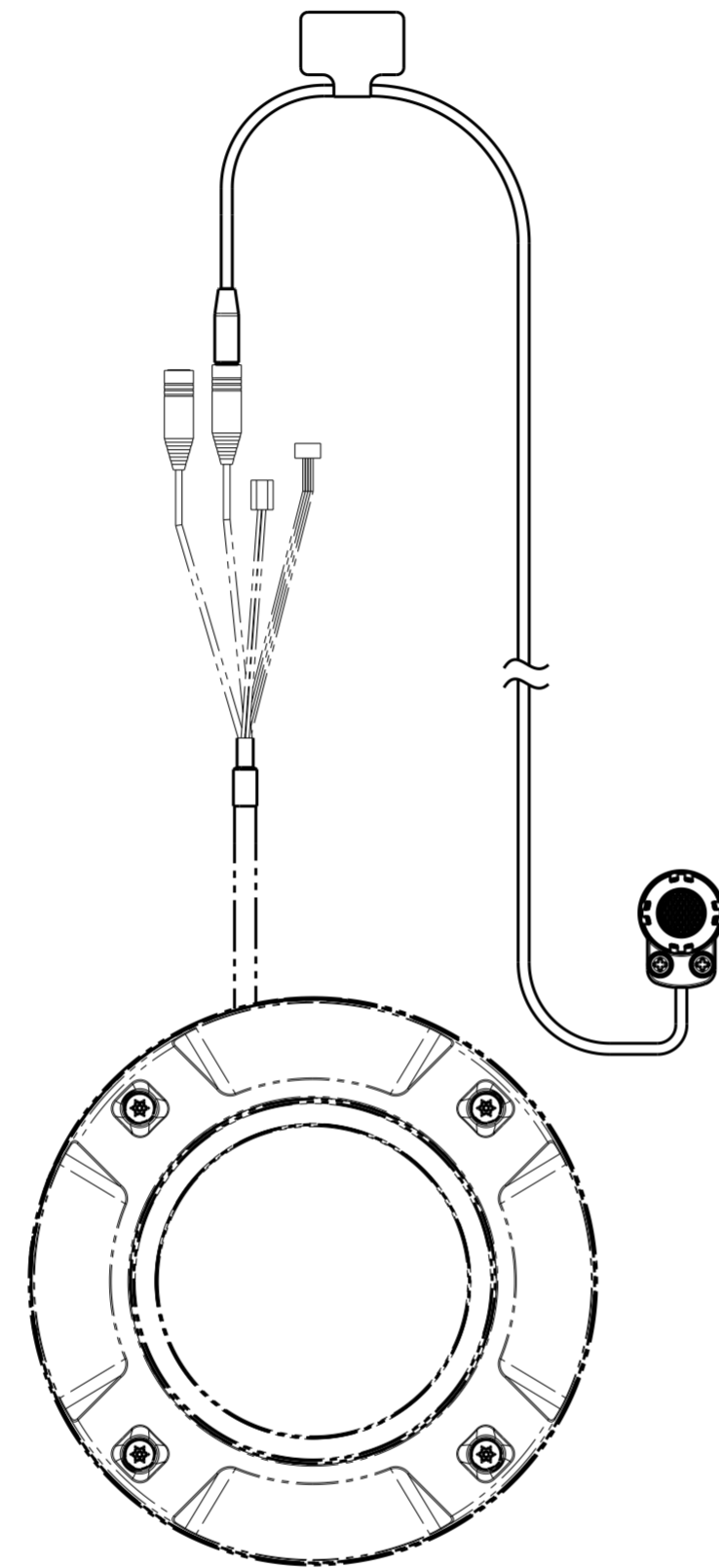
Model number
WV-PM500

Mass : Approx. 60 g {0.13 lbs} (Including cable part)

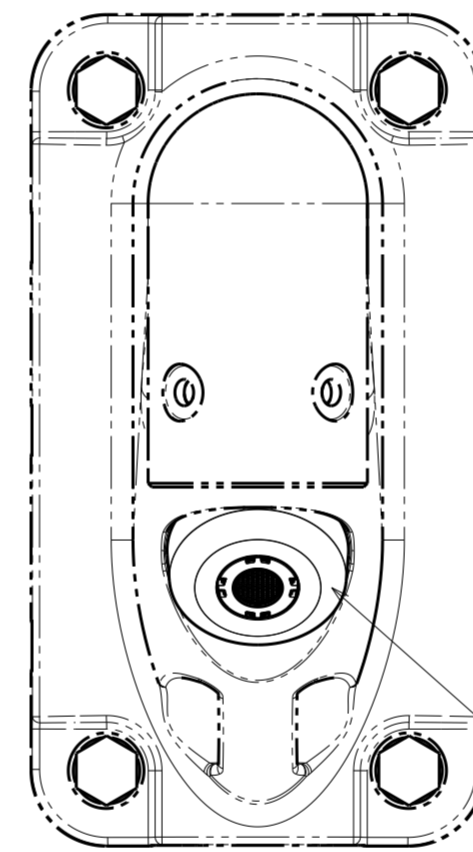
カメラと金具との組み合わせ例
Example of combination with camera & bracket



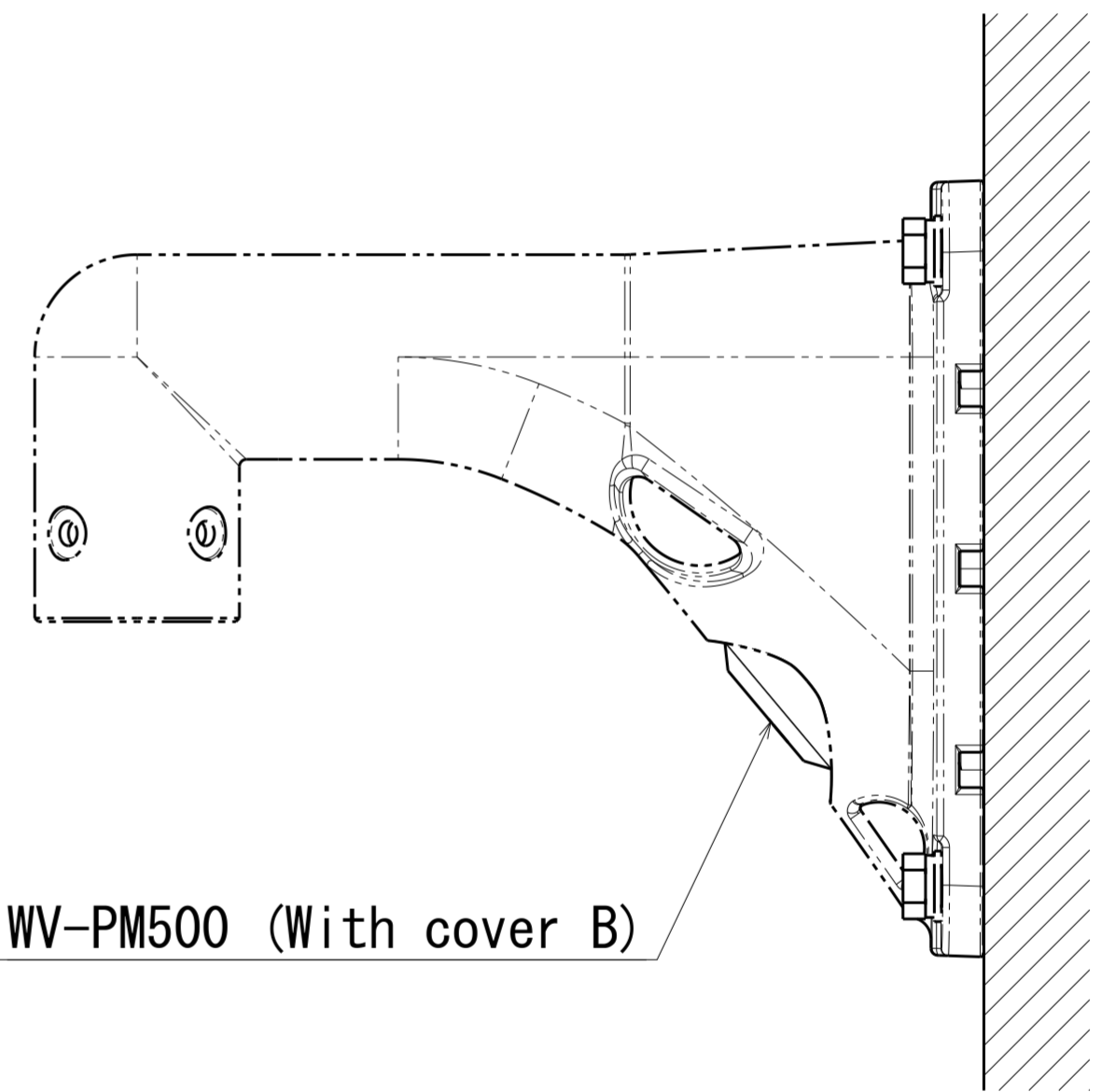
Attach to WV-S2136L**



Attach to WV-S2536L** & WV-QCA501*



WV-PM500 (With cover B)



Attach to WV-QWL501**

Model number
WV-PM500