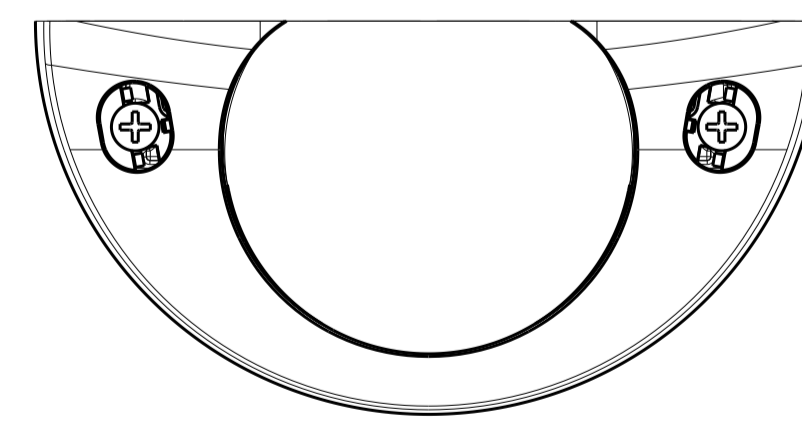
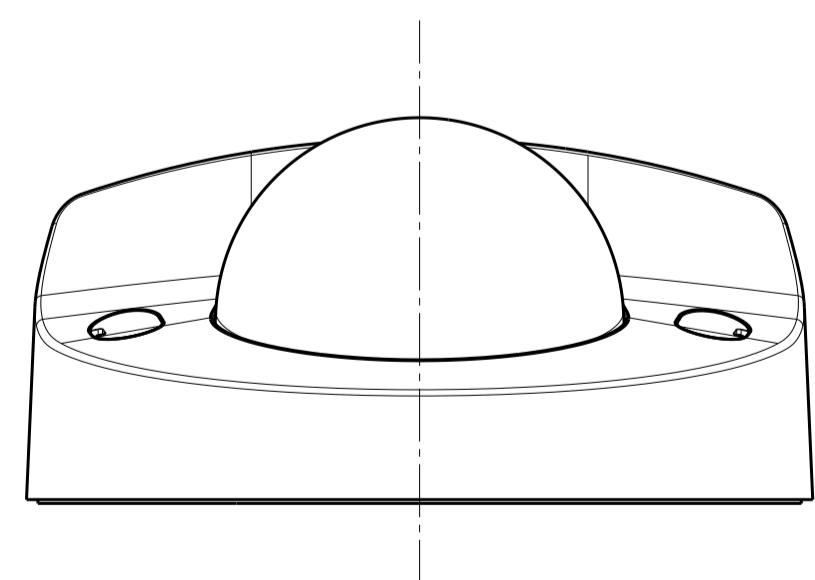


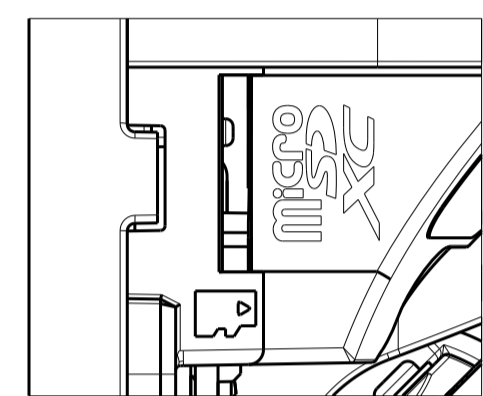
Template for mounting



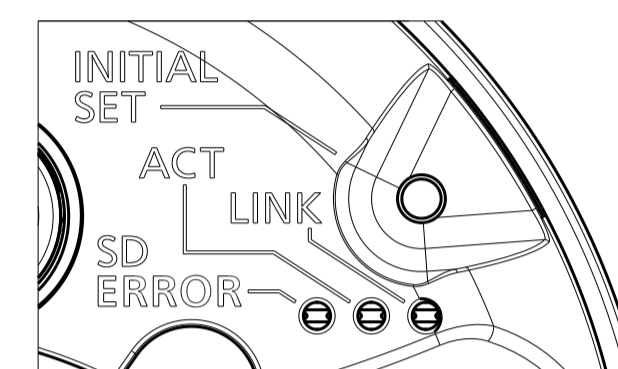
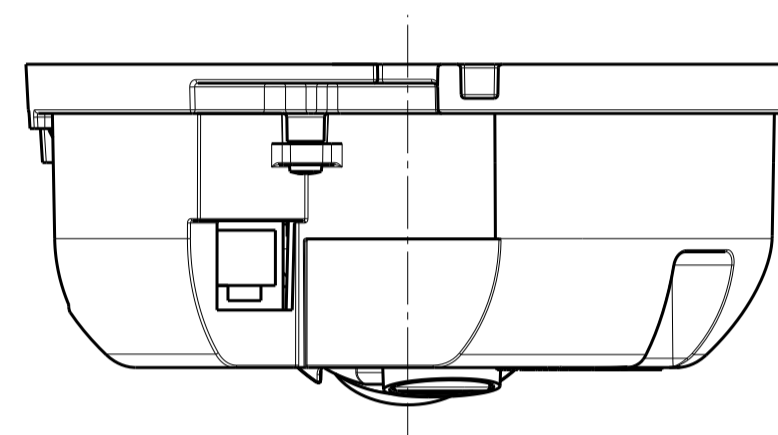
Without Screw cover

Model number
WV-S3130UX

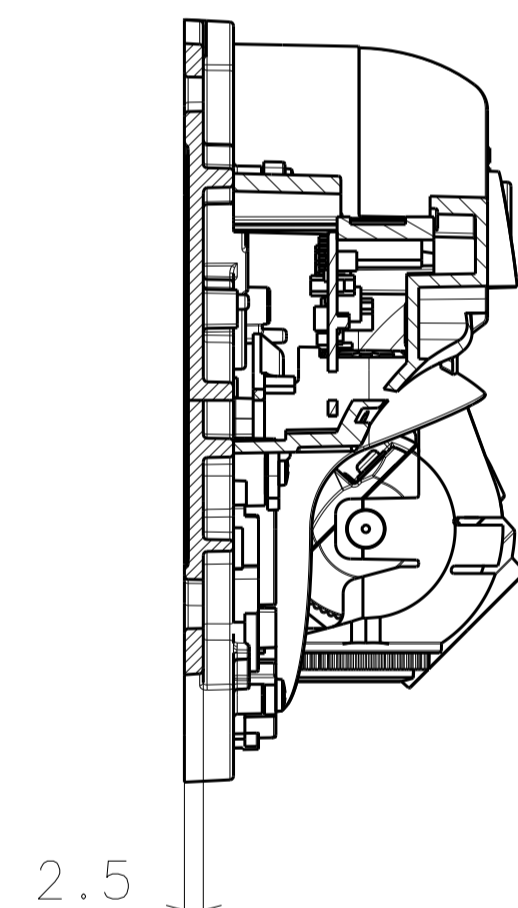
Mass : Approx. 255 g {0.56 lbs}



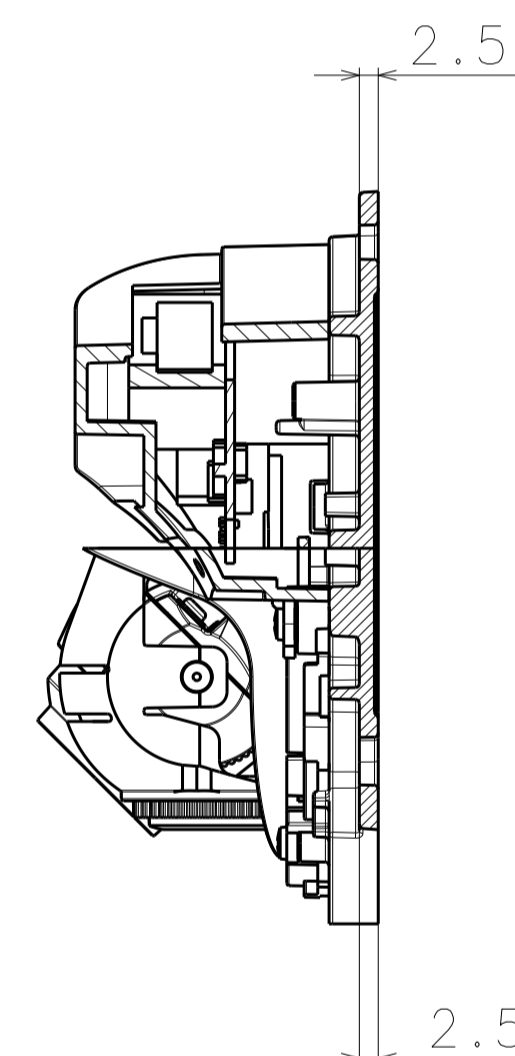
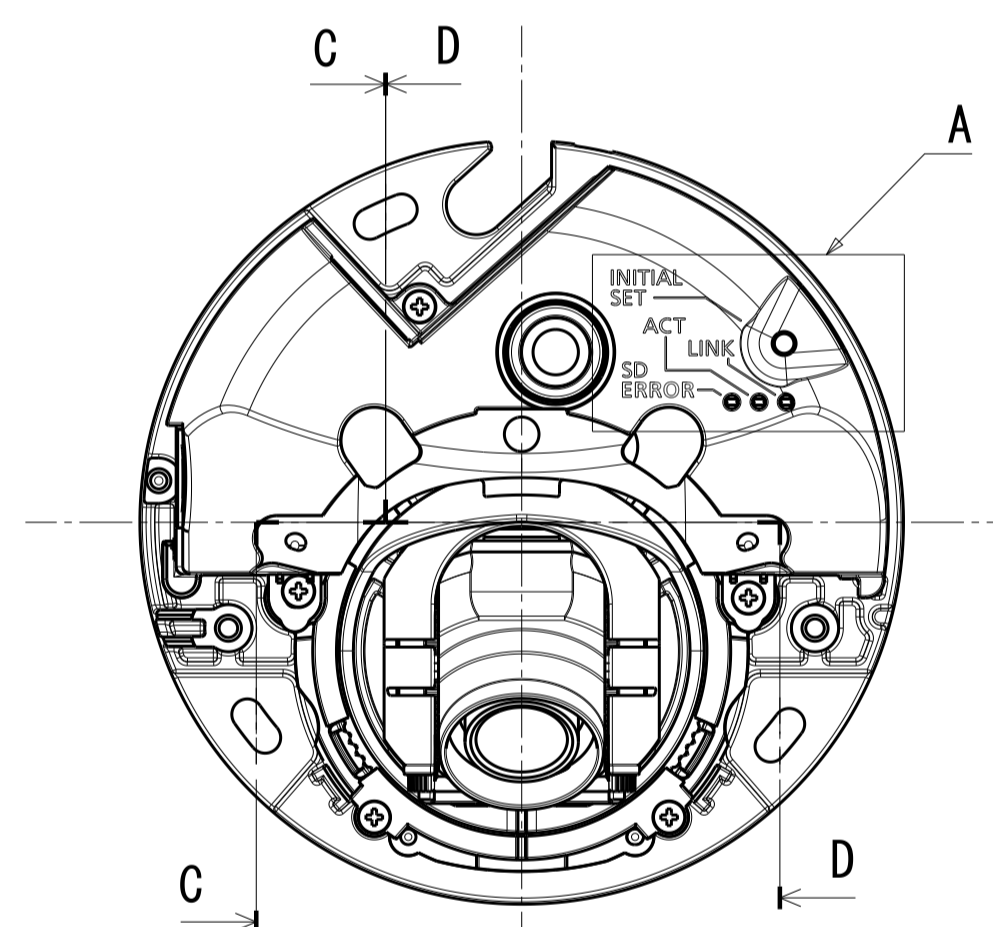
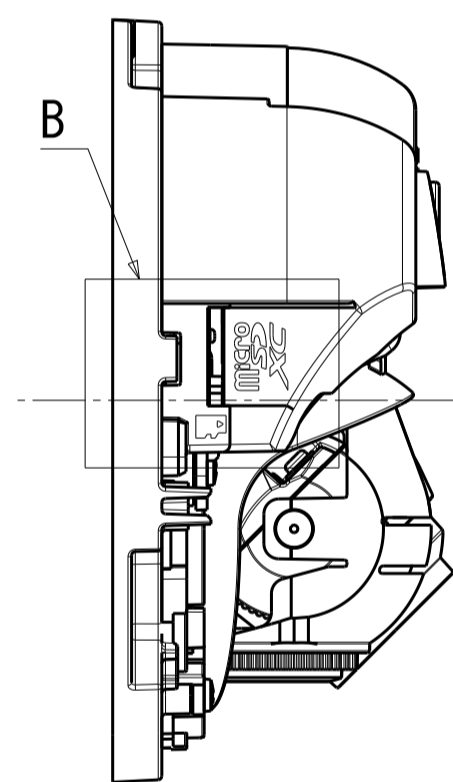
Detail B (2:1)



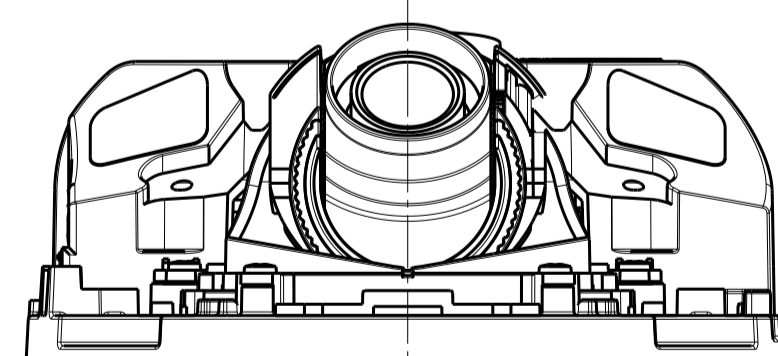
Detail A (2:1)



Sec C-C



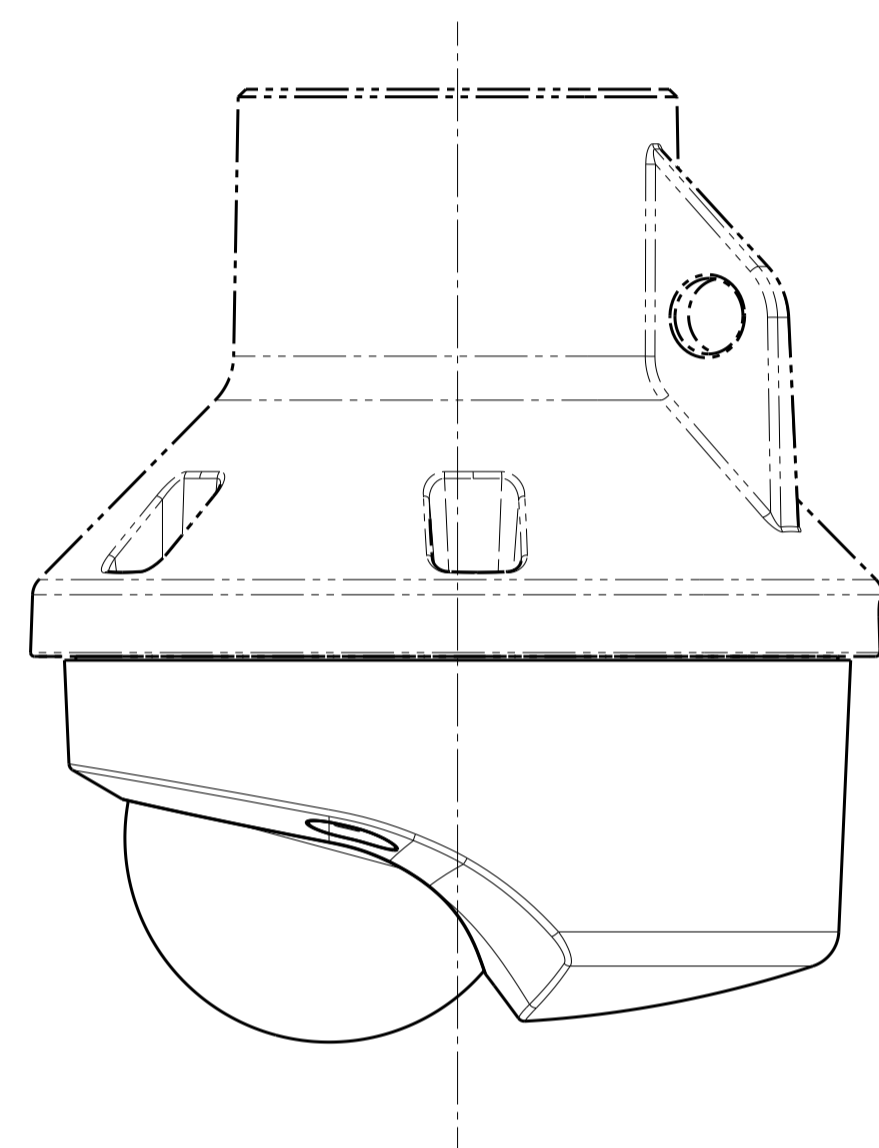
Sec D-D



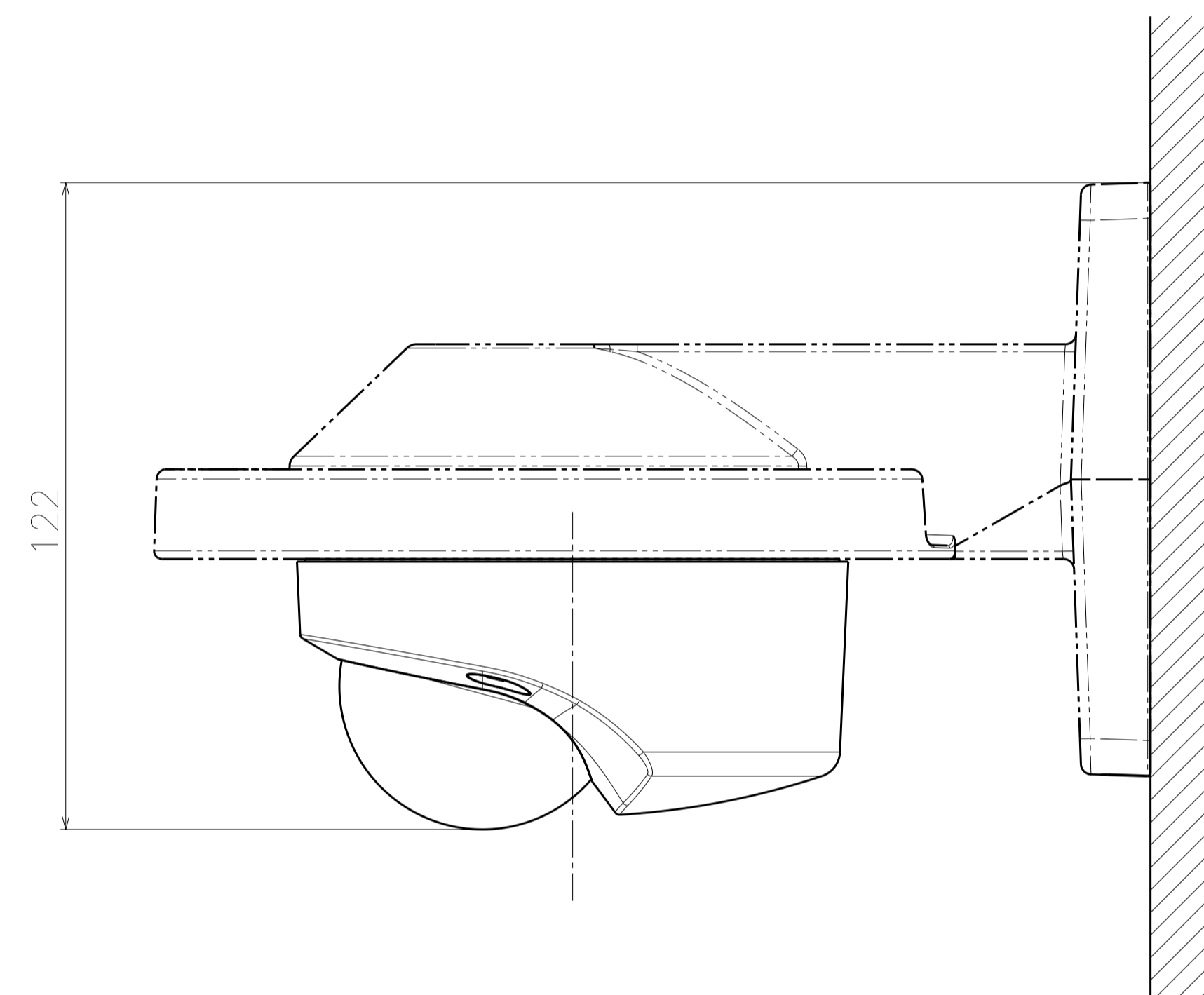
Without Enclosure

Model number
WV-S3130UX

金具との組み合わせ例
Example of combination with bracket



Attach to WV-QCL100-WUX



Attach to WV-QWL500-WUX

Model number
WV-S3130UX