

Template for mounting

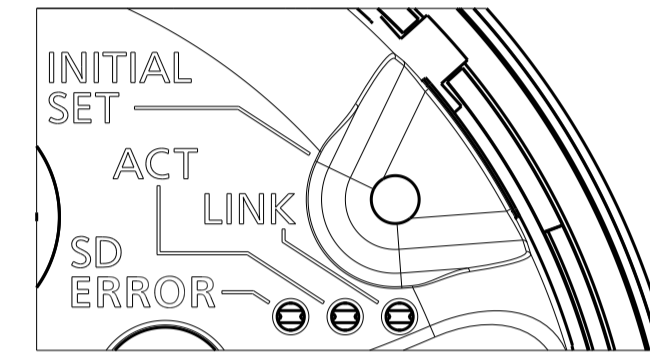
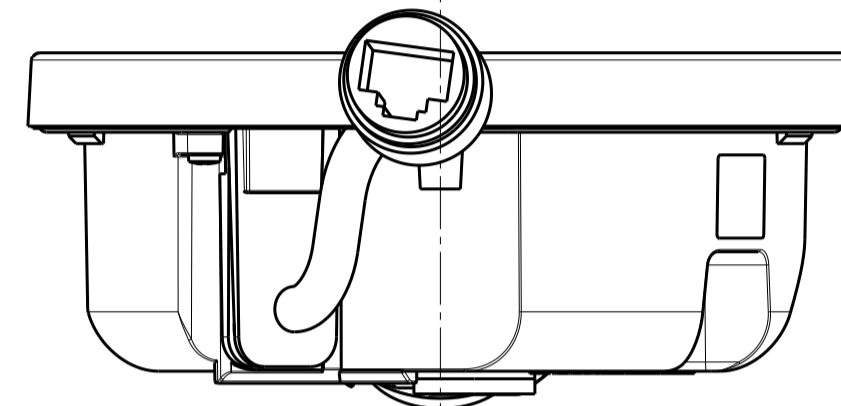
Model number
WV-S3530UX

	投影面積/Projected area
正面図/Front-view	0.0050 (m ²)
側面図/Side-view	0.0047 (m ²)

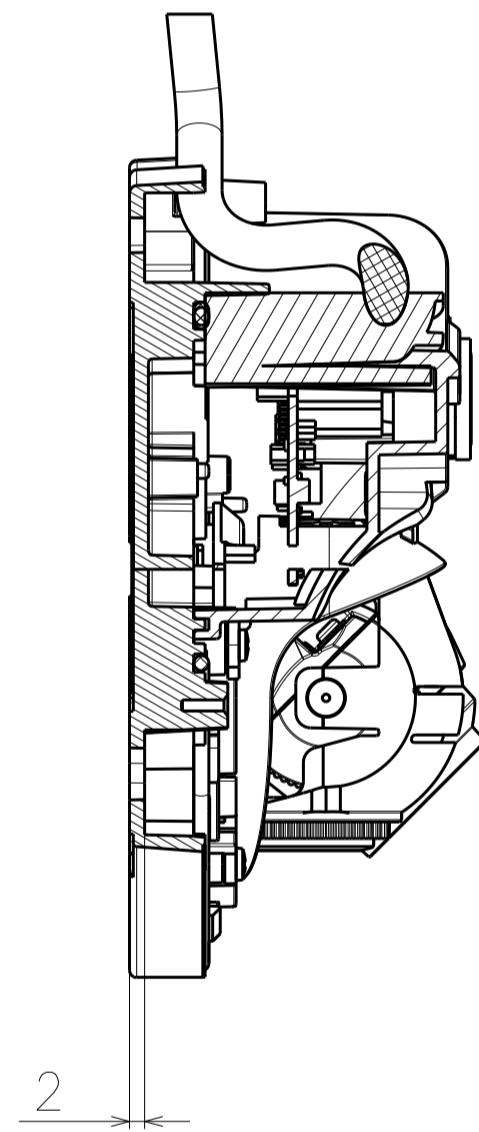
Mass : Approx. 430 g {0.95 lbs}



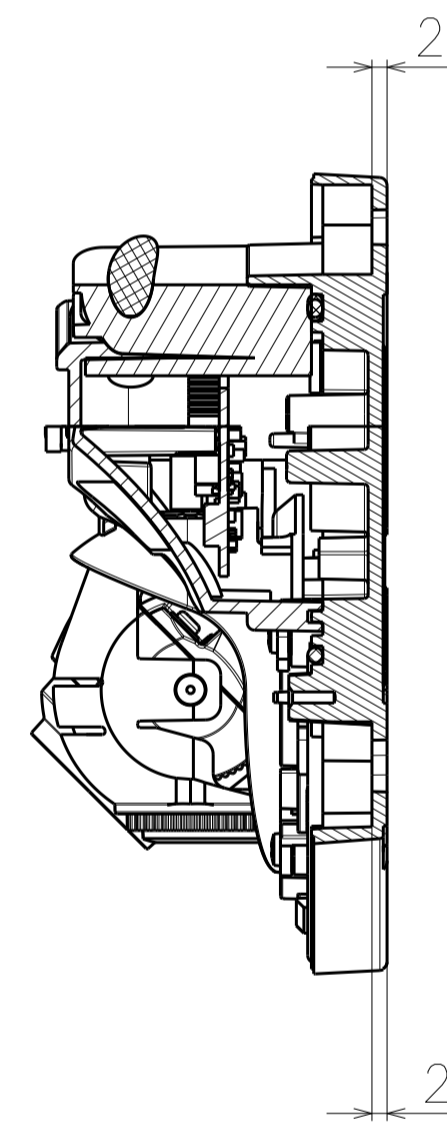
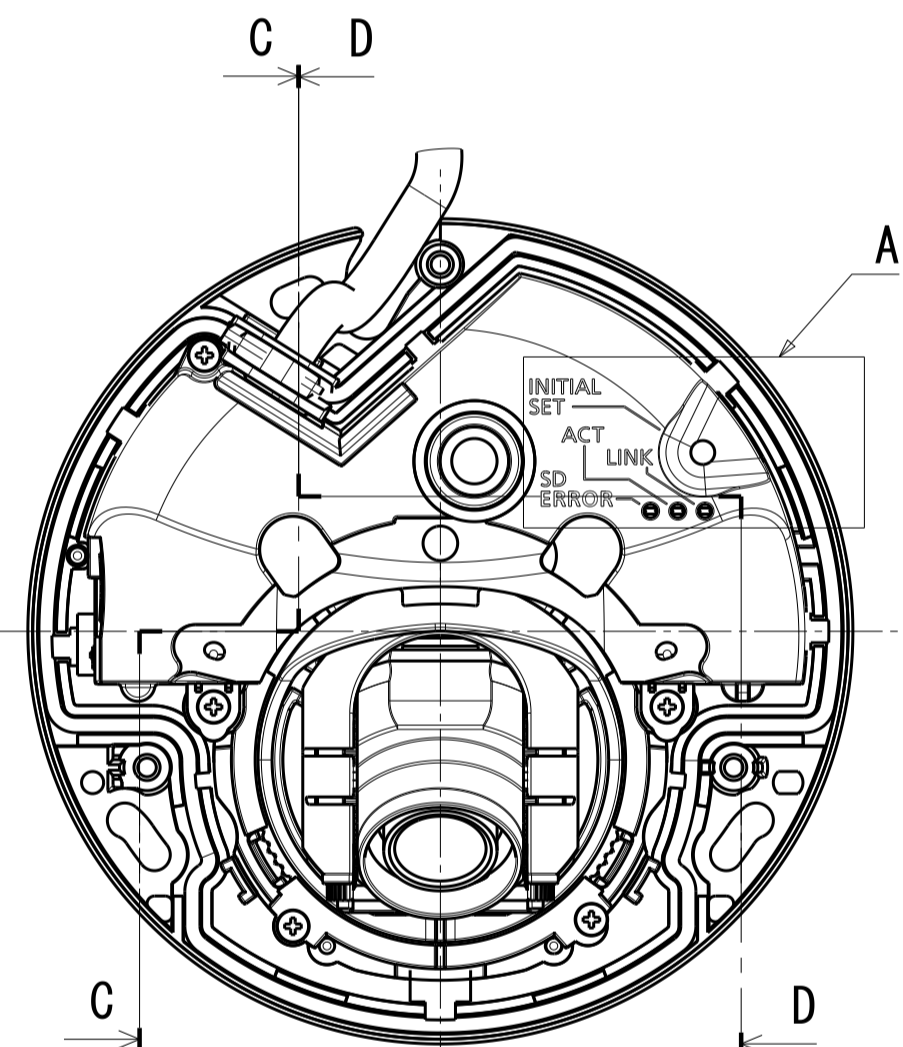
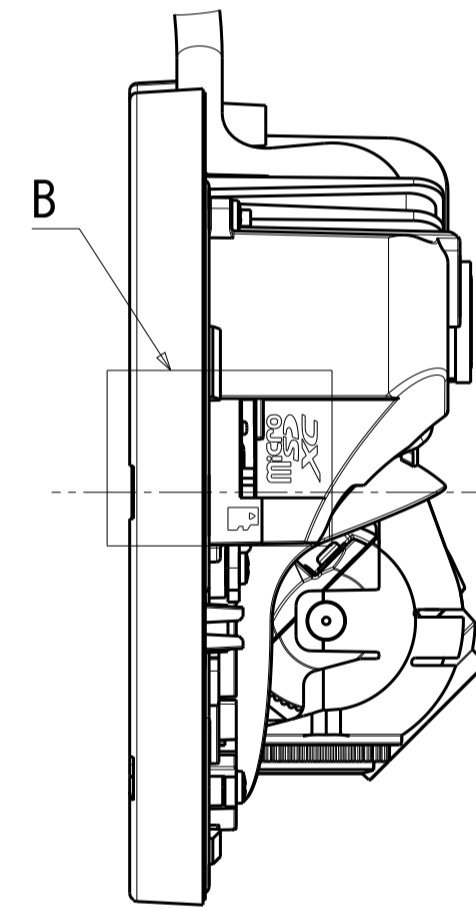
Detail B (2:1)



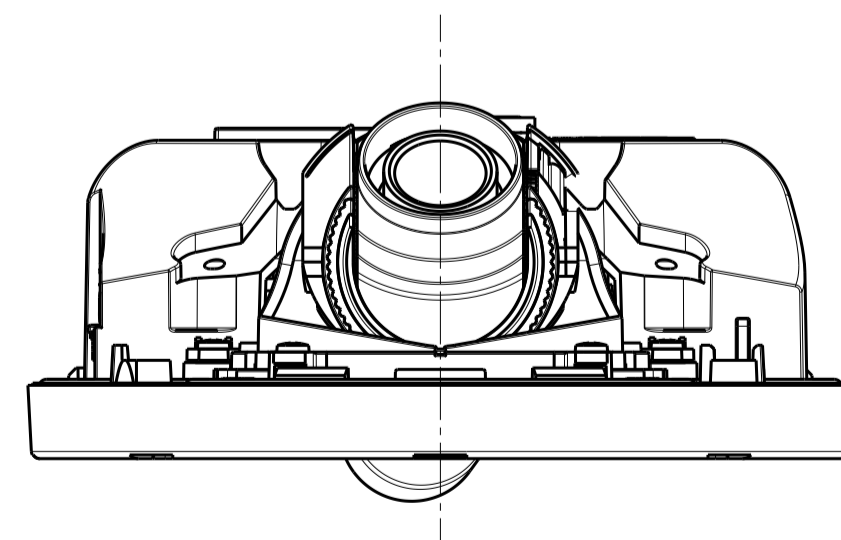
Detail A (2:1)



Sec C-C



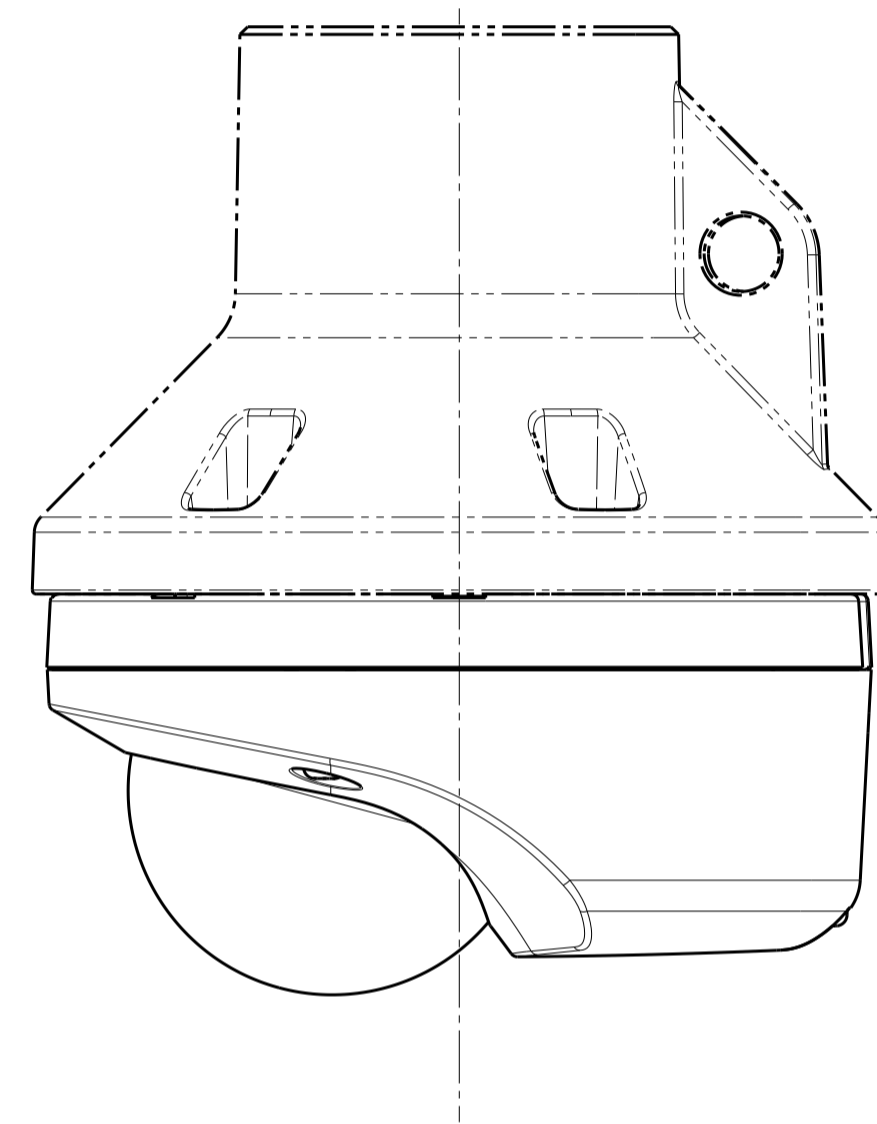
Sec D-D



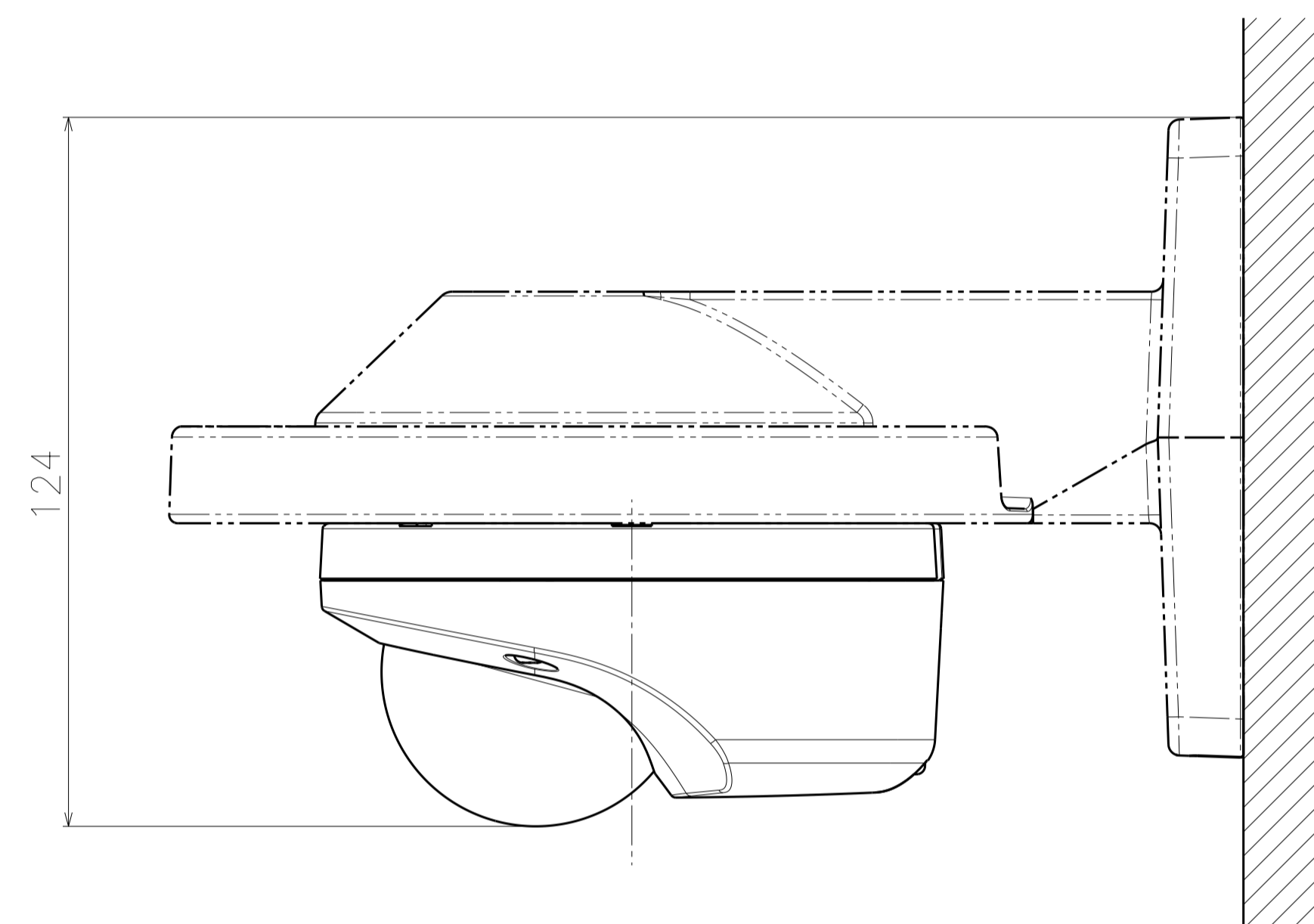
Without Enclosure

Model number
WV-S3530UX

金具との組み合わせ例
Example of combination with bracket



Attach to WV-QCL100-WUX



Attach to WV-QWL500-WUX

	投影面積/Projected area
側面図/Side-view	0.0127 (m ²)

Model number
WV-S3530UX