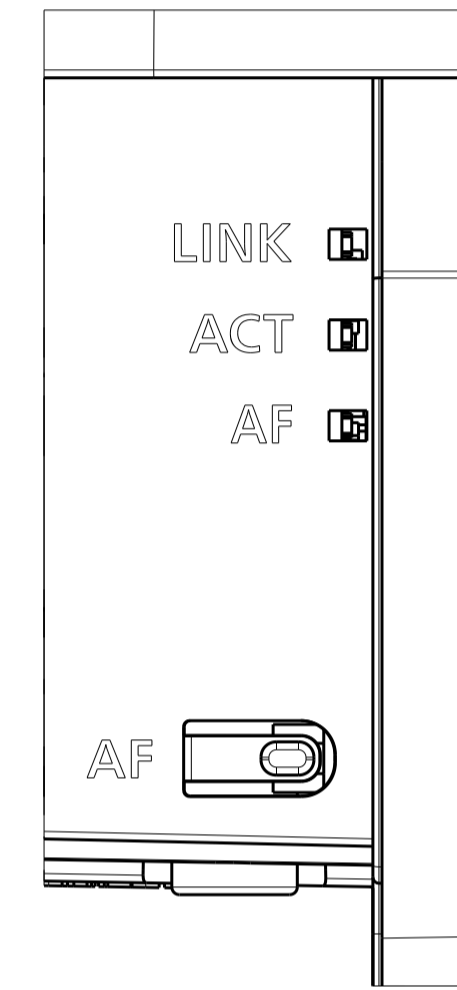
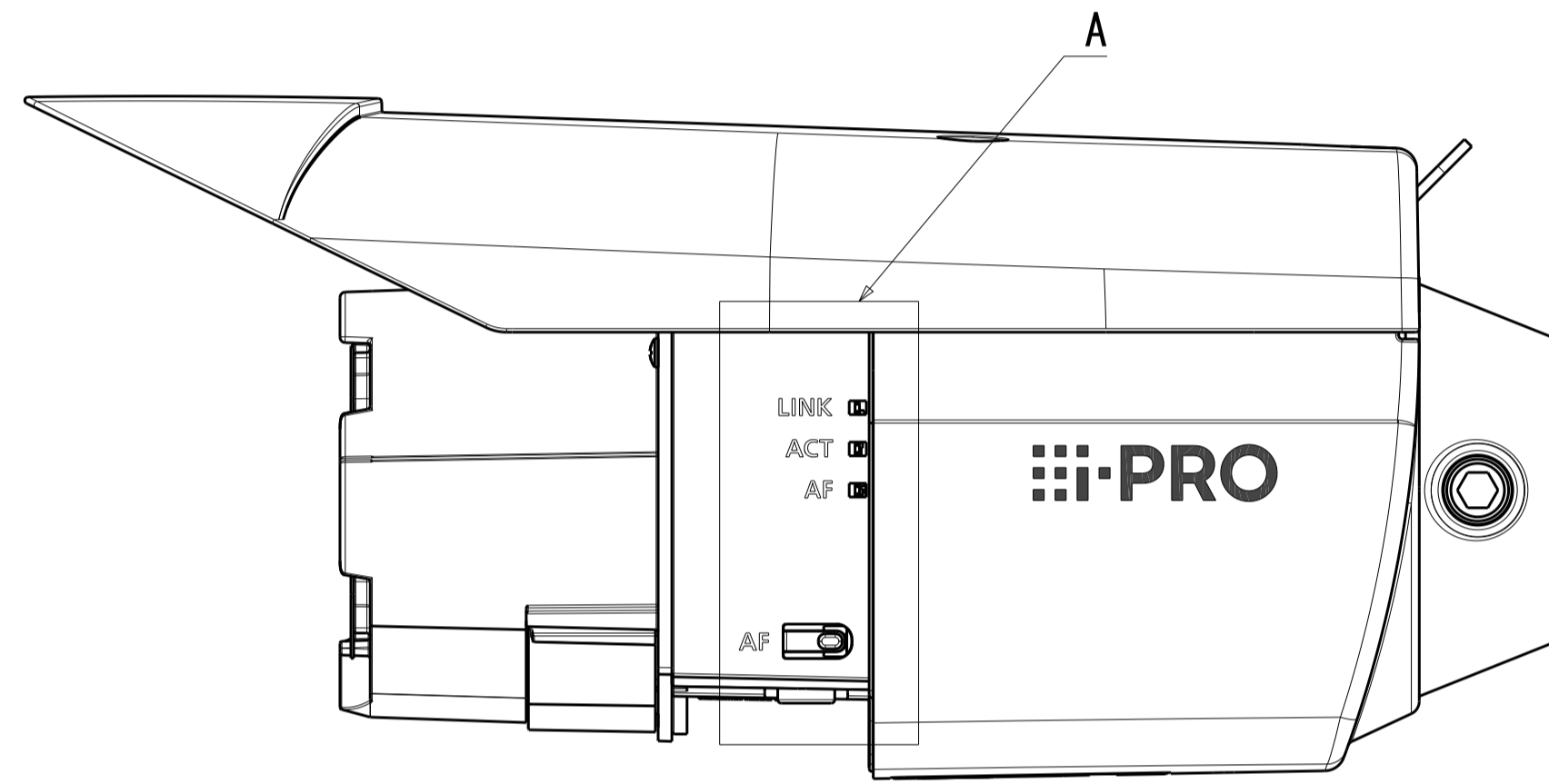
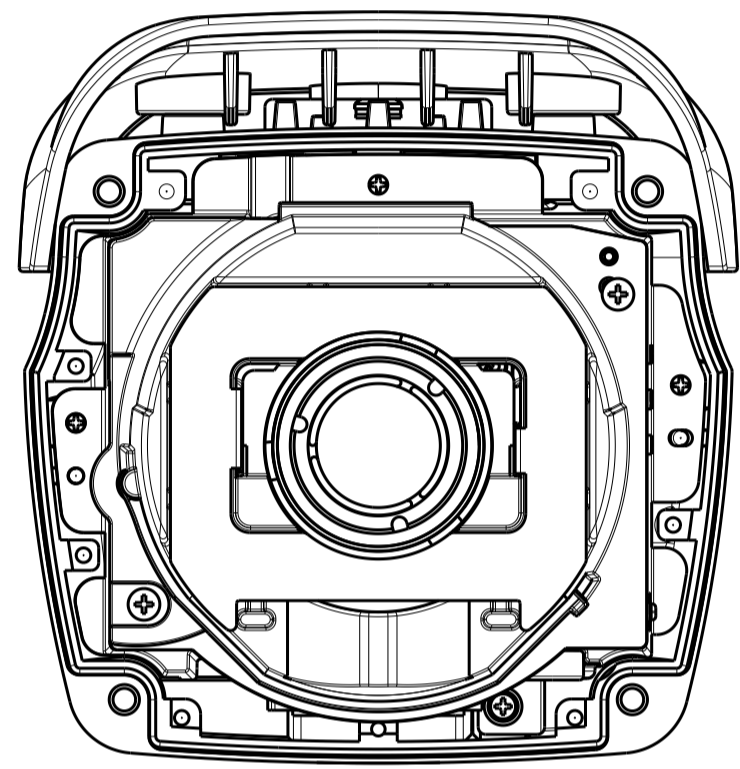


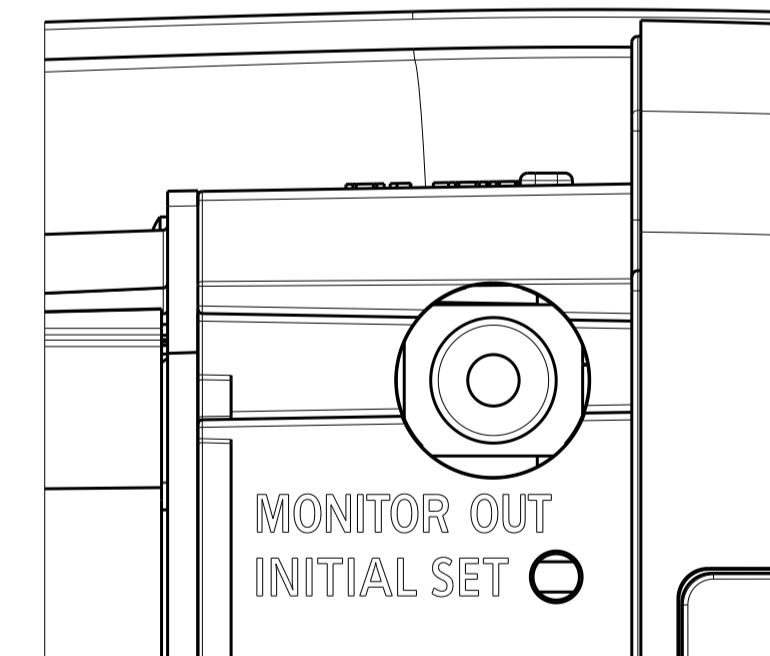
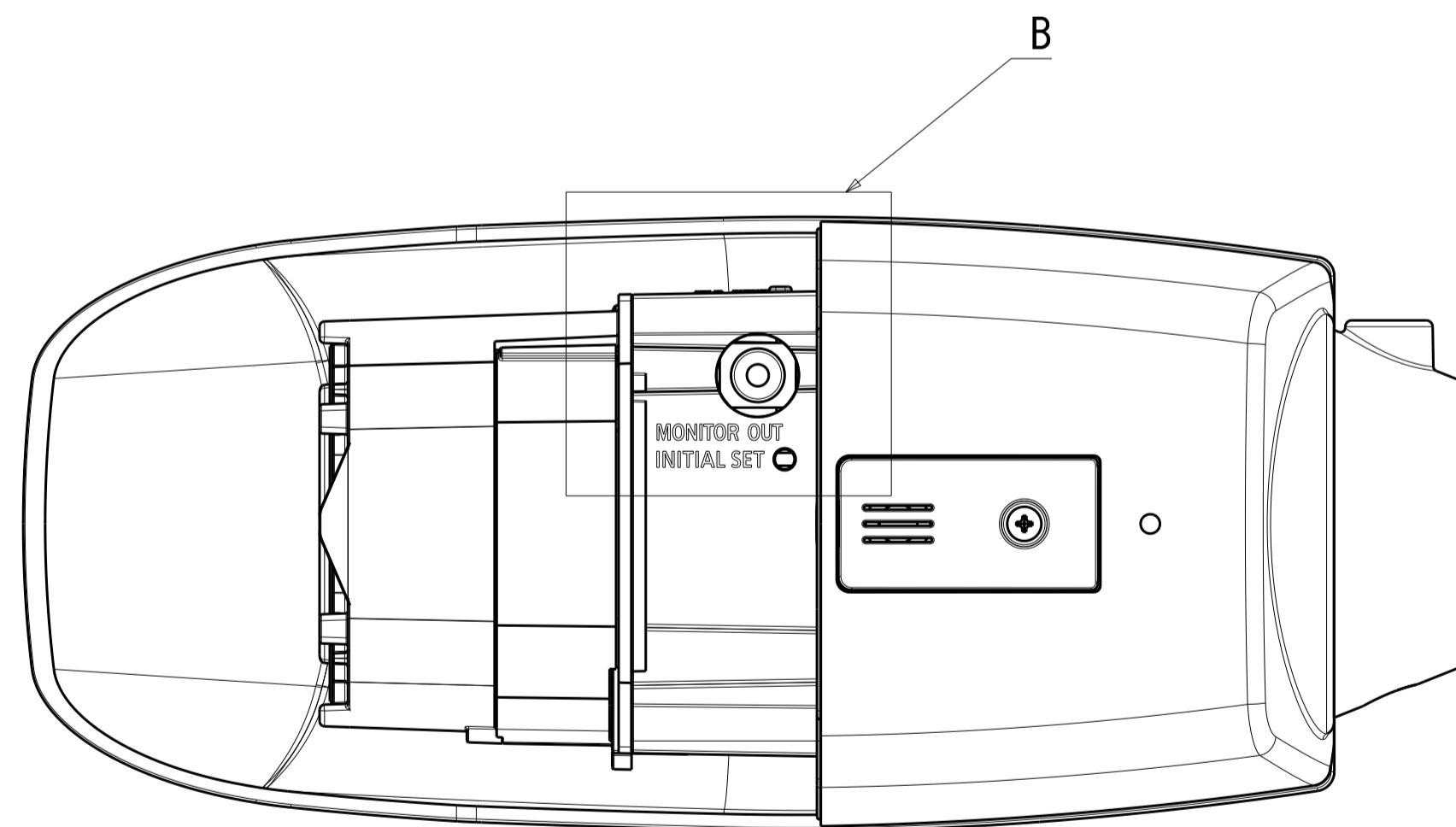
Model number
WV-S1510UX

	投影面積/Projected area
平面図/Top-view	0.025 (m ²)
側面図/Side-view	0.023 (m ²)

Mass : Approx. 1.6 kg {3.53 lbs}



Detail A (2:1)

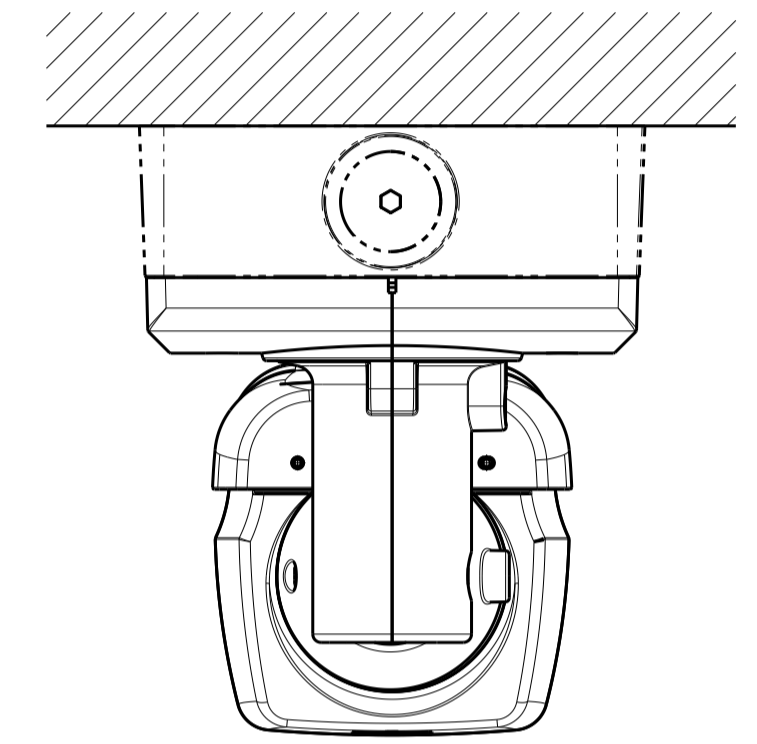
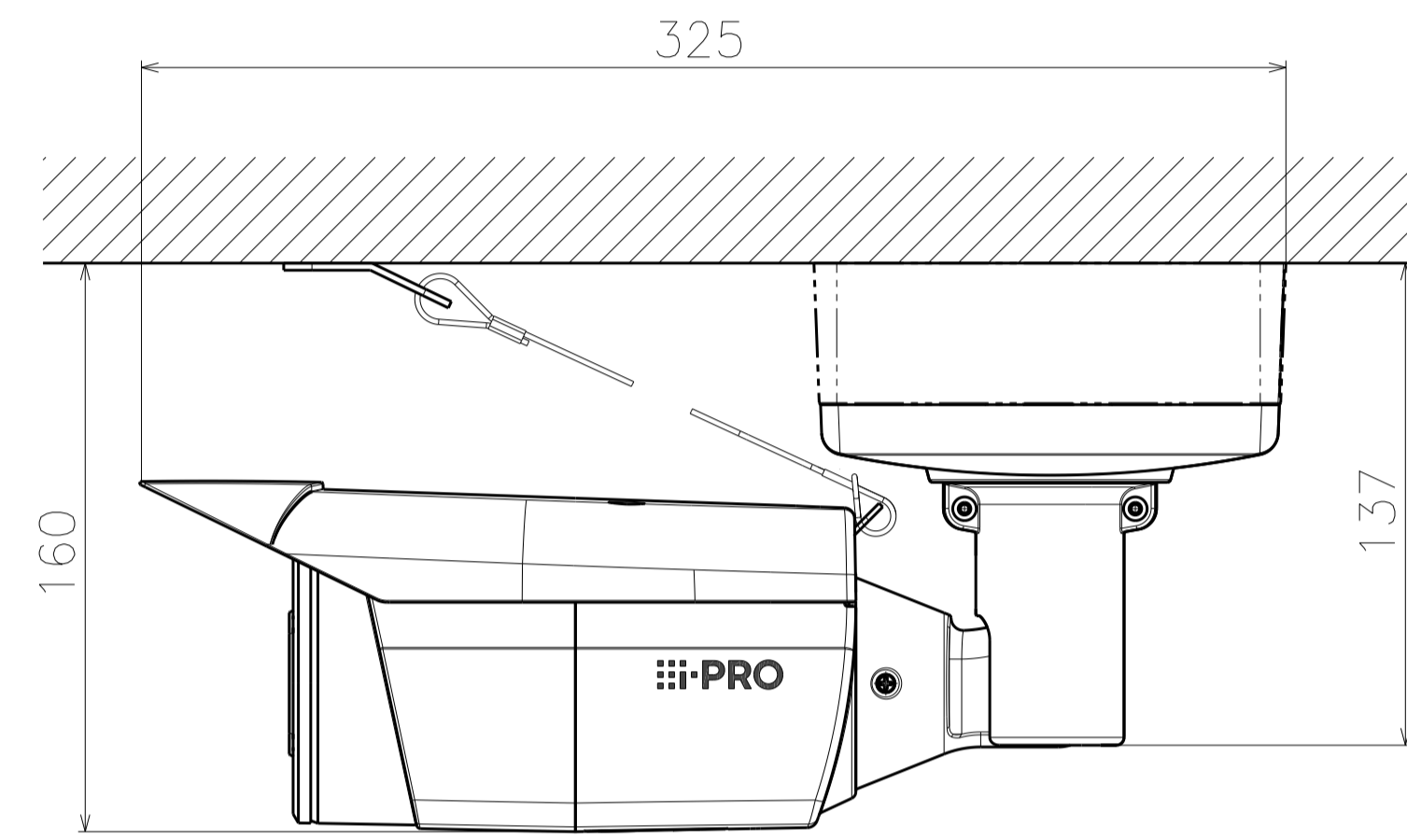
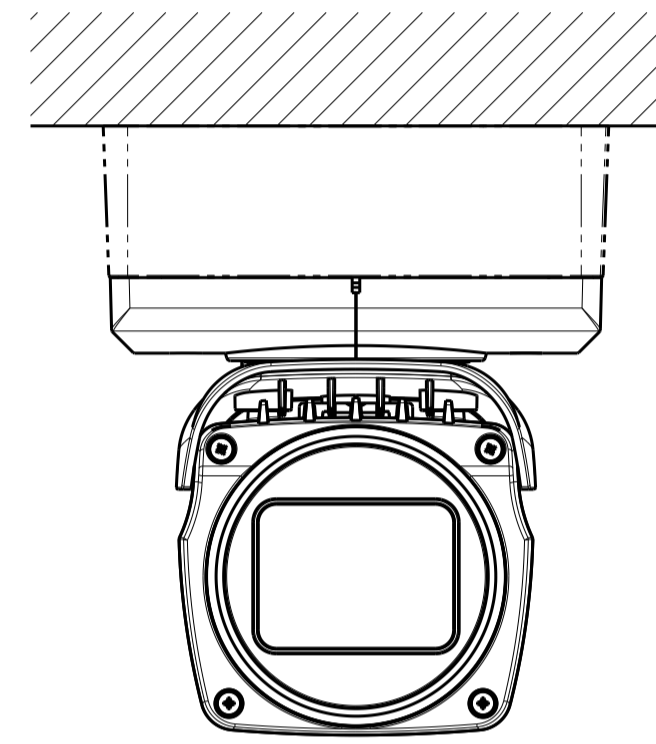
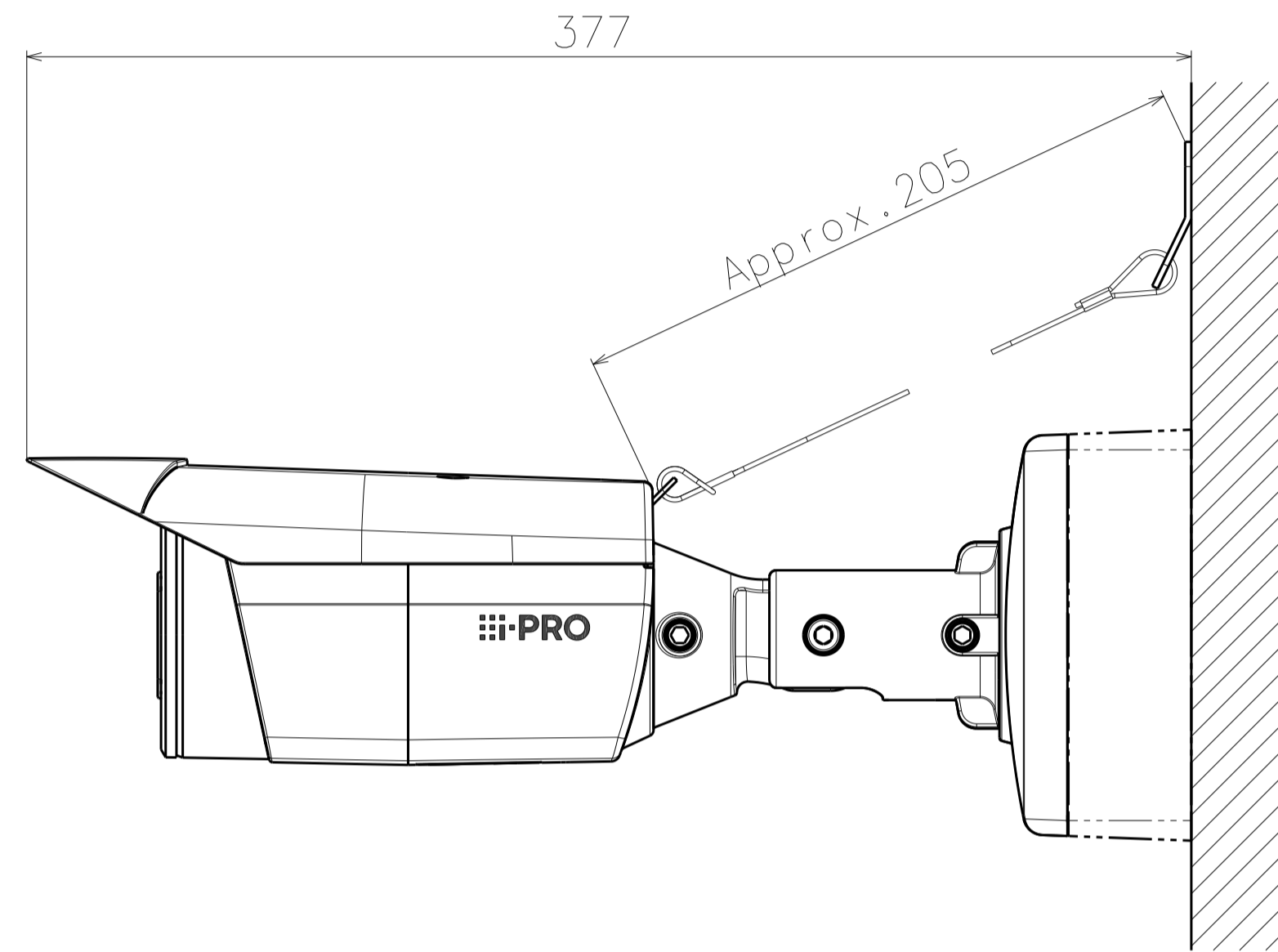


Detail B (2:1)

Model number
WV-S1510UX

金具との組み合わせ例
Example of combination with bracket

工事後の取付状態
Mounted state after construction



Attach to WV-Q120AUX

	投影面積/Projected area
平面図/Top-view	0.031 (m ²)
側面図/Side-view	0.028 (m ²)

Model number
WV-S1510UX