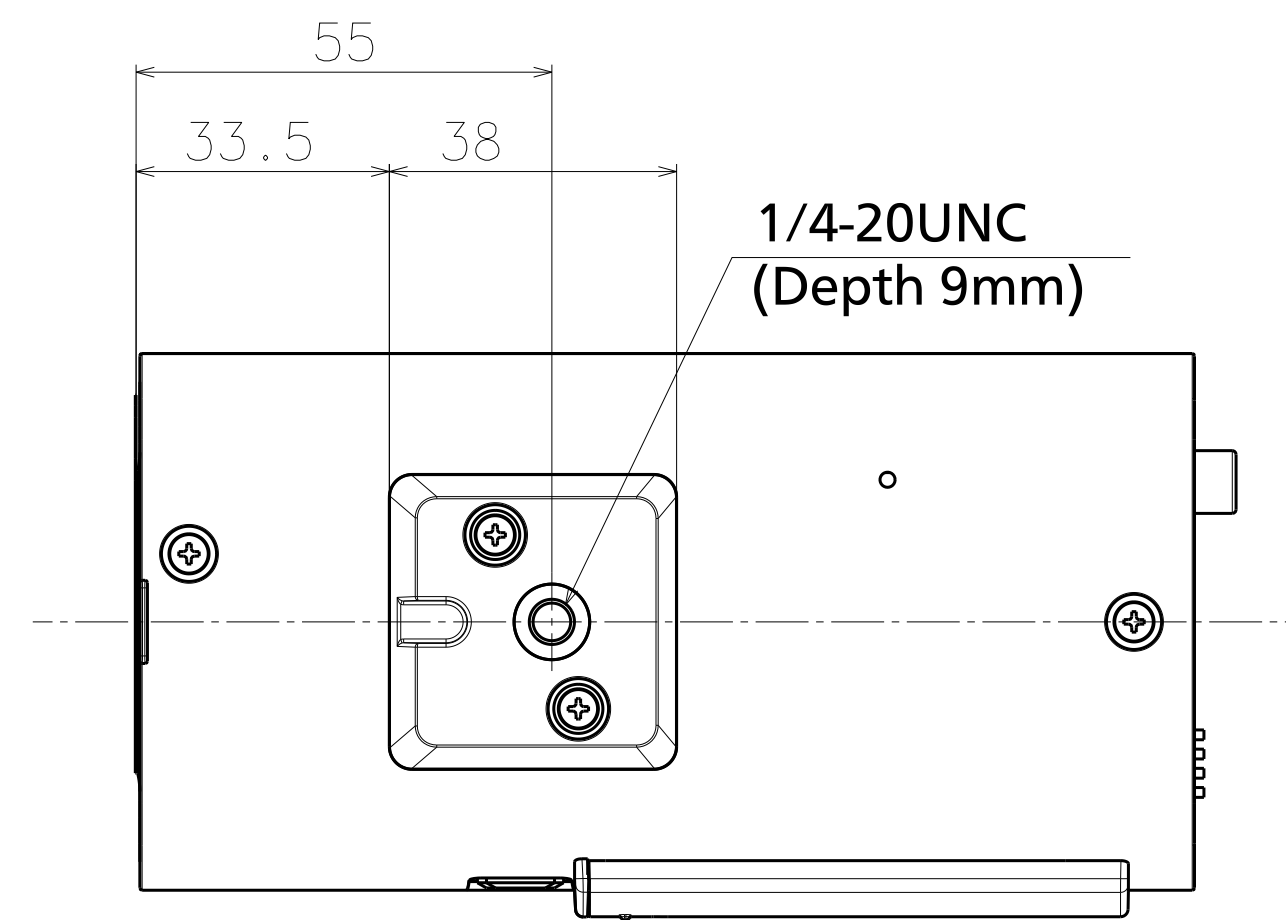
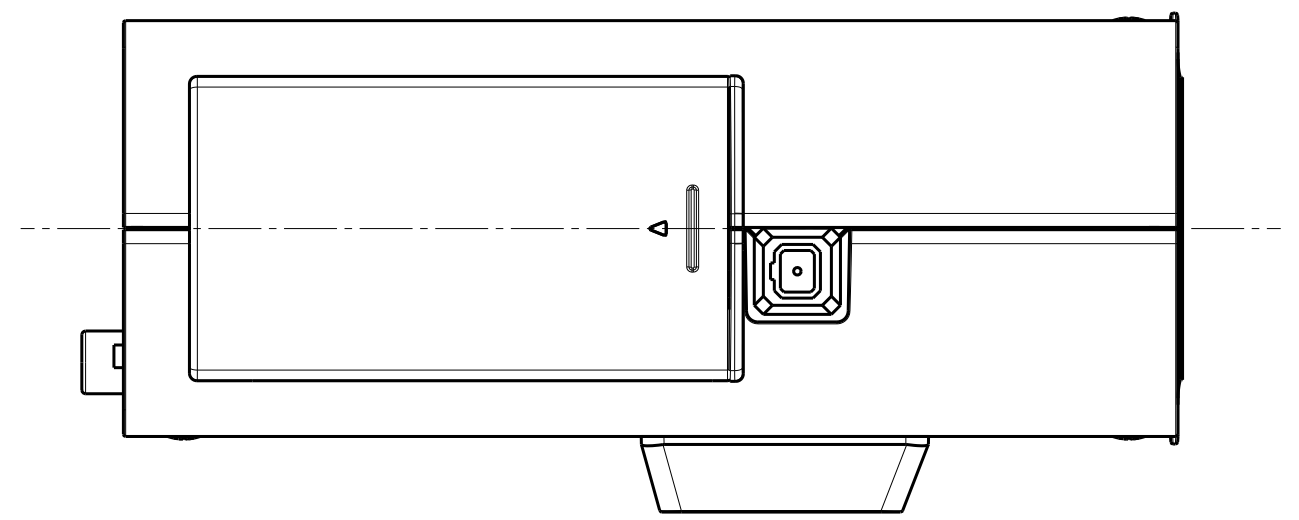
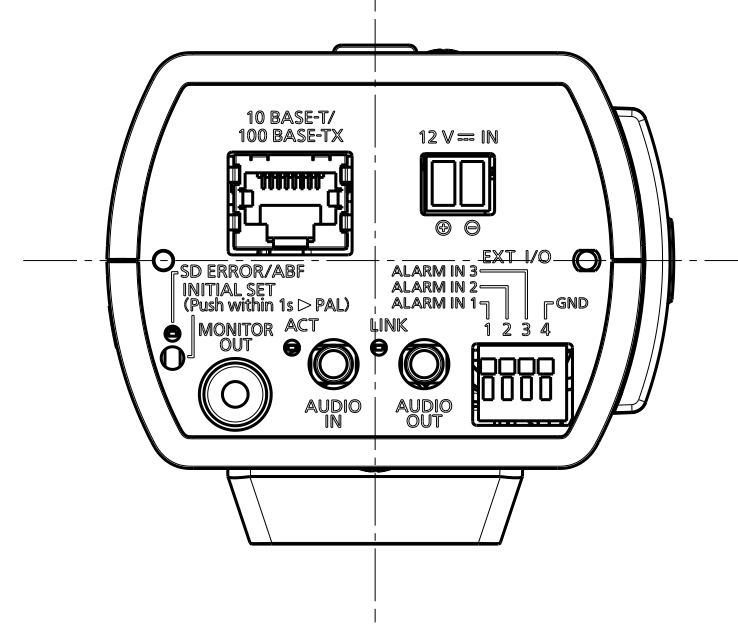
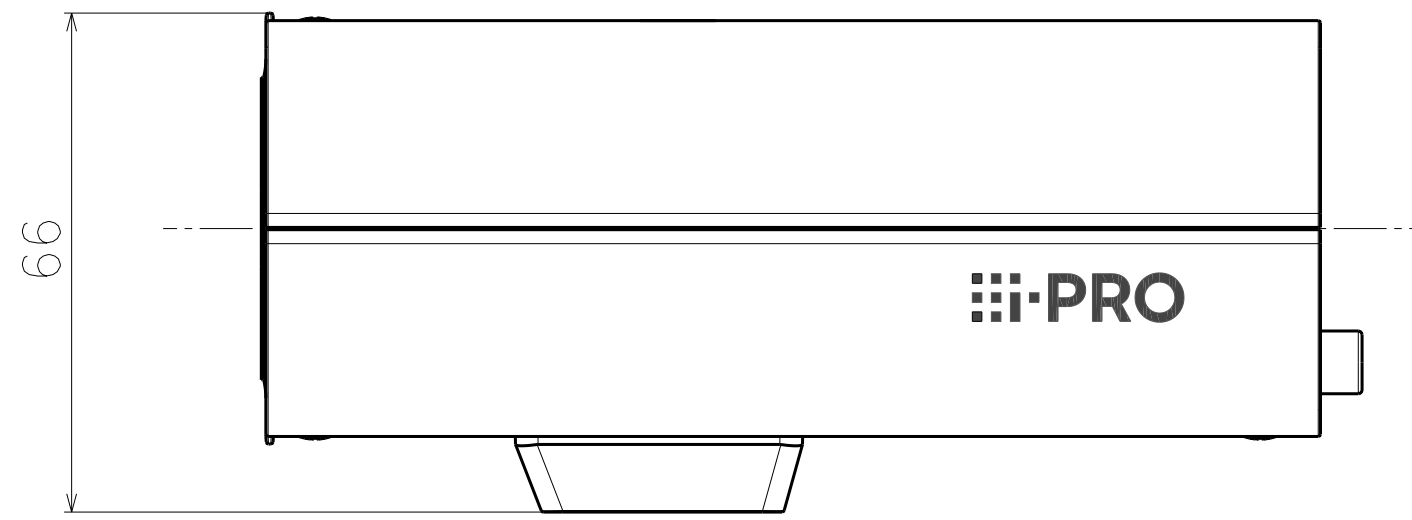
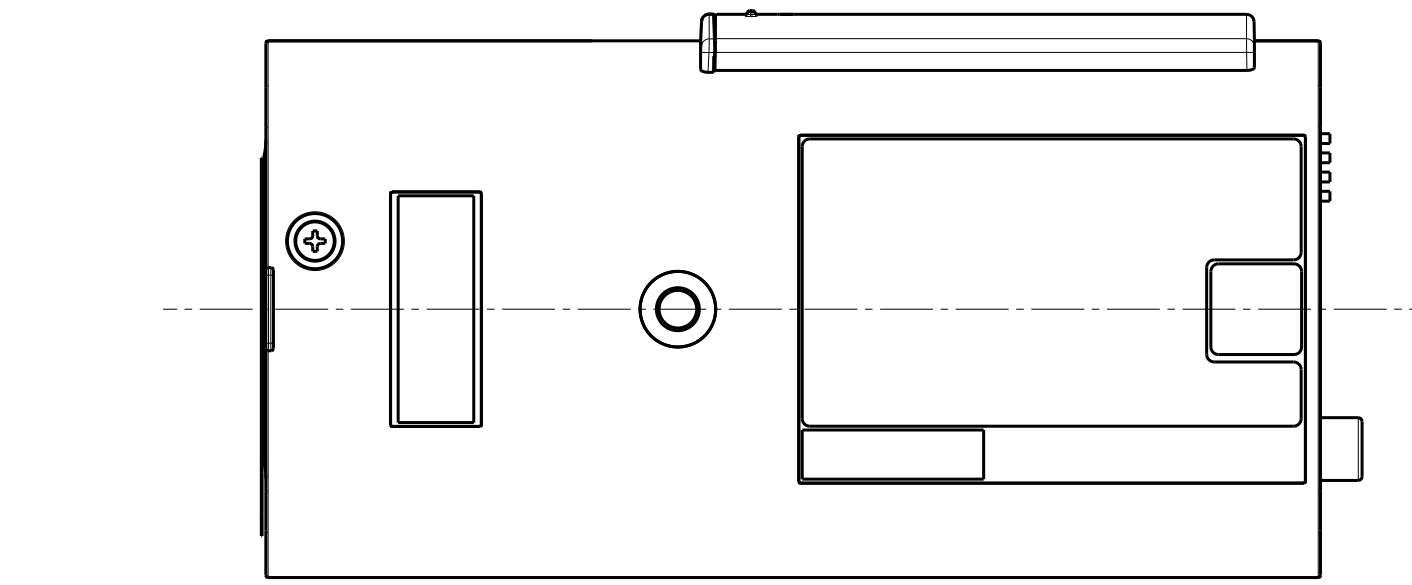
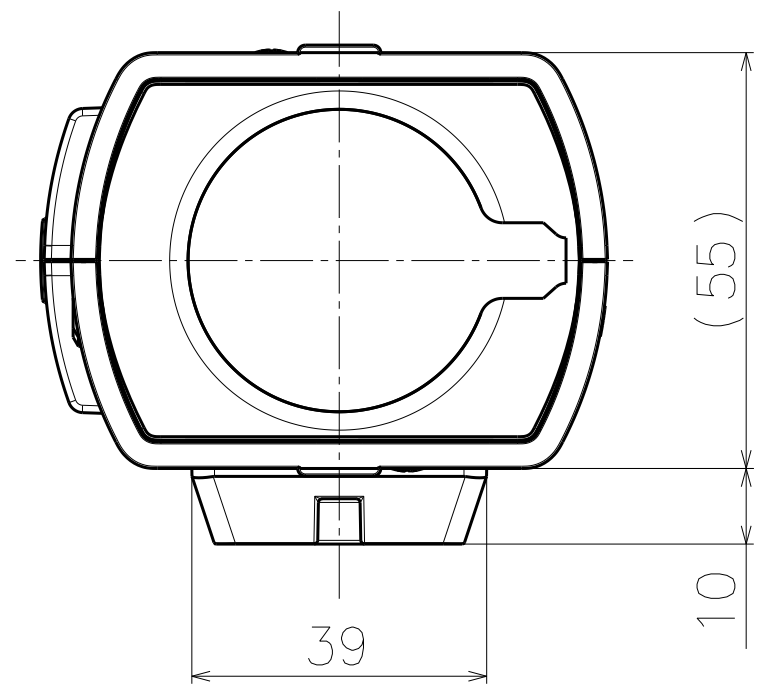
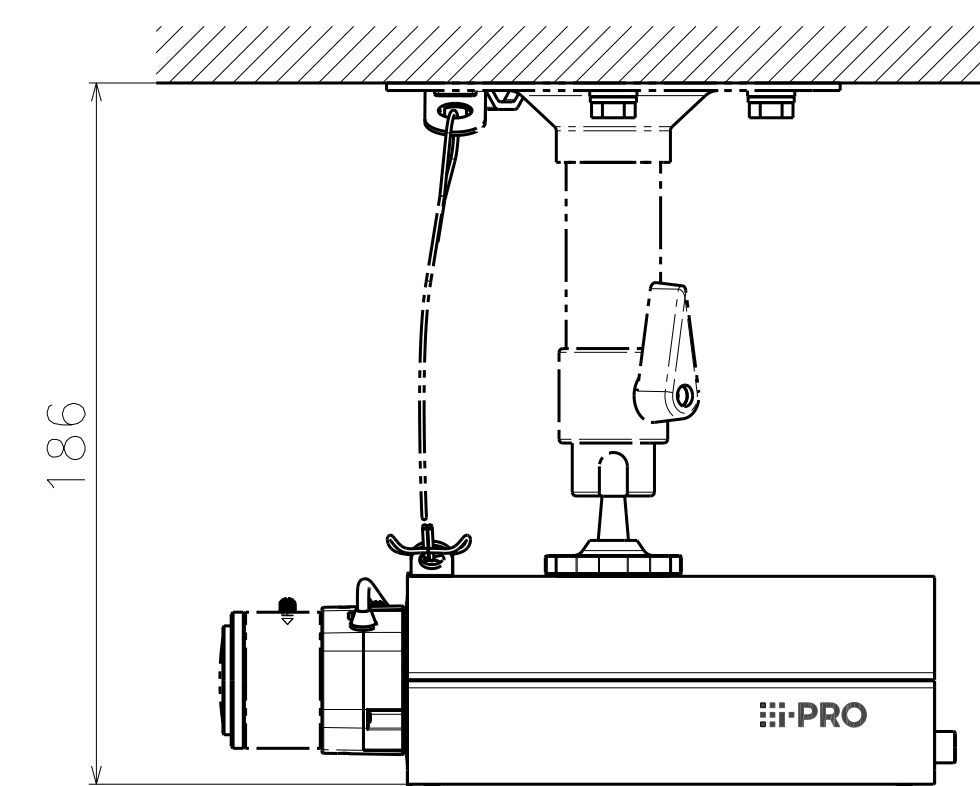
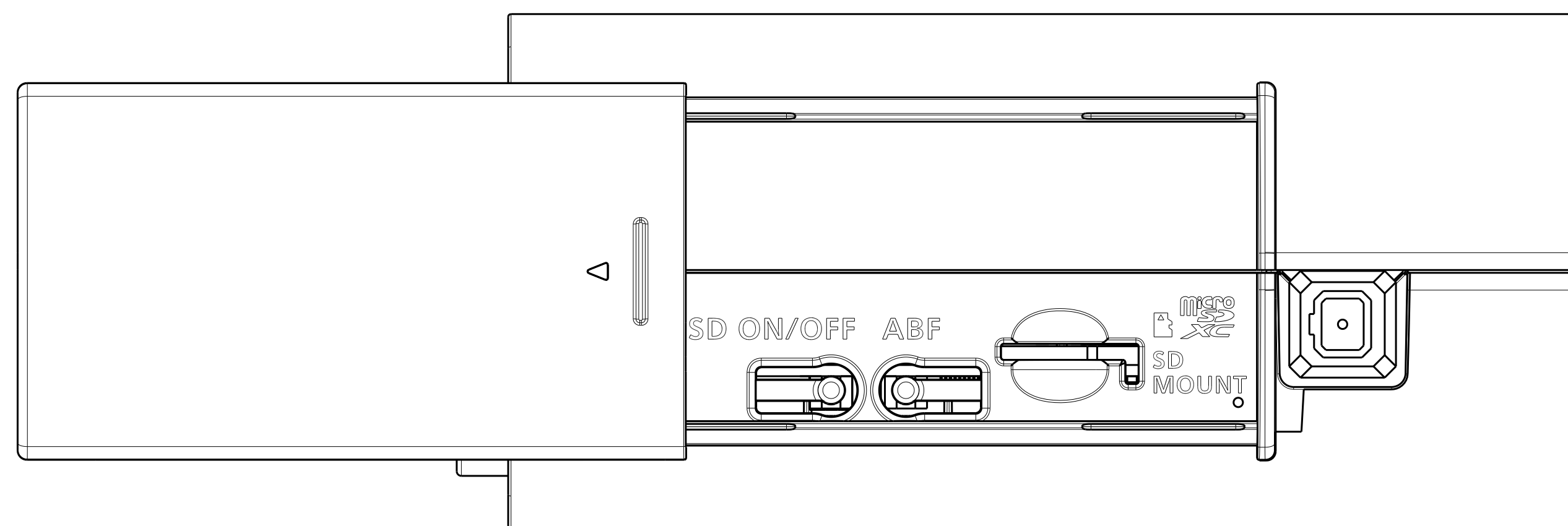
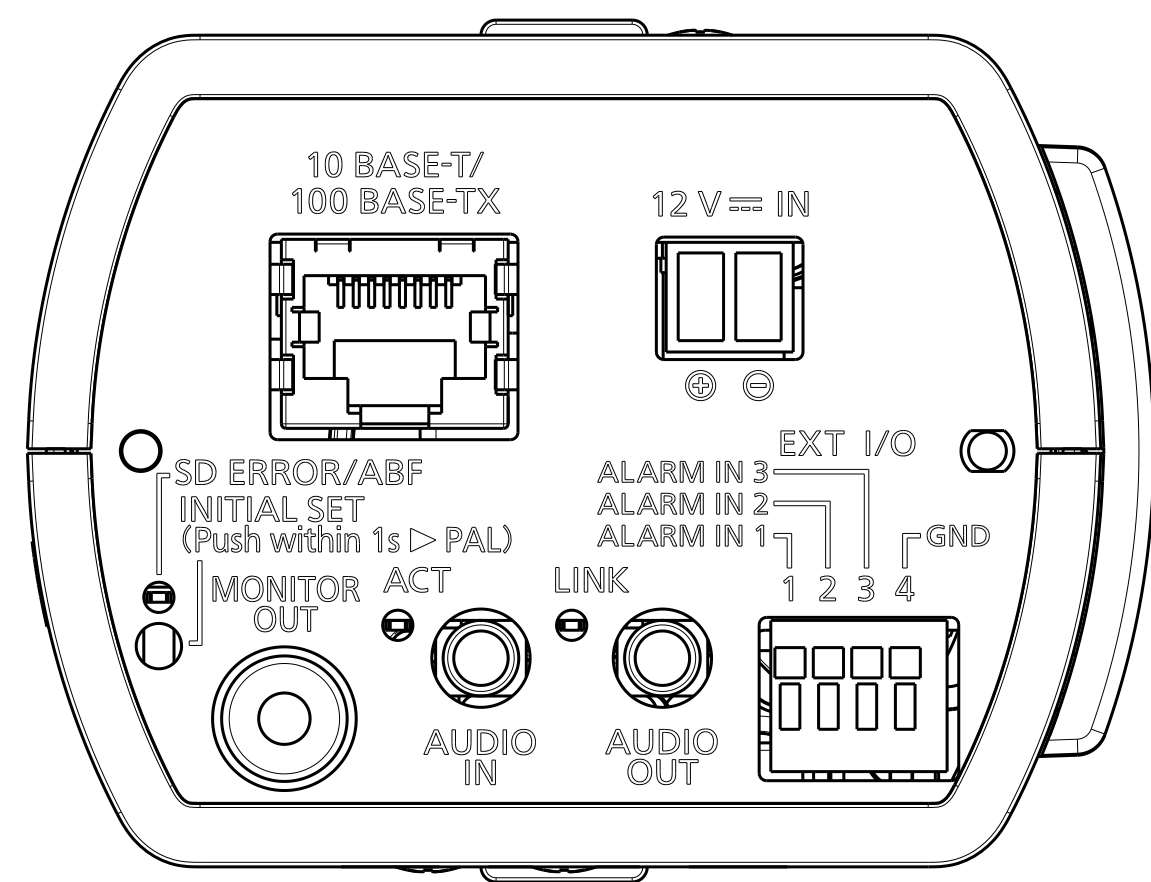


Model number
WV-S1136UX
WV-S1136D

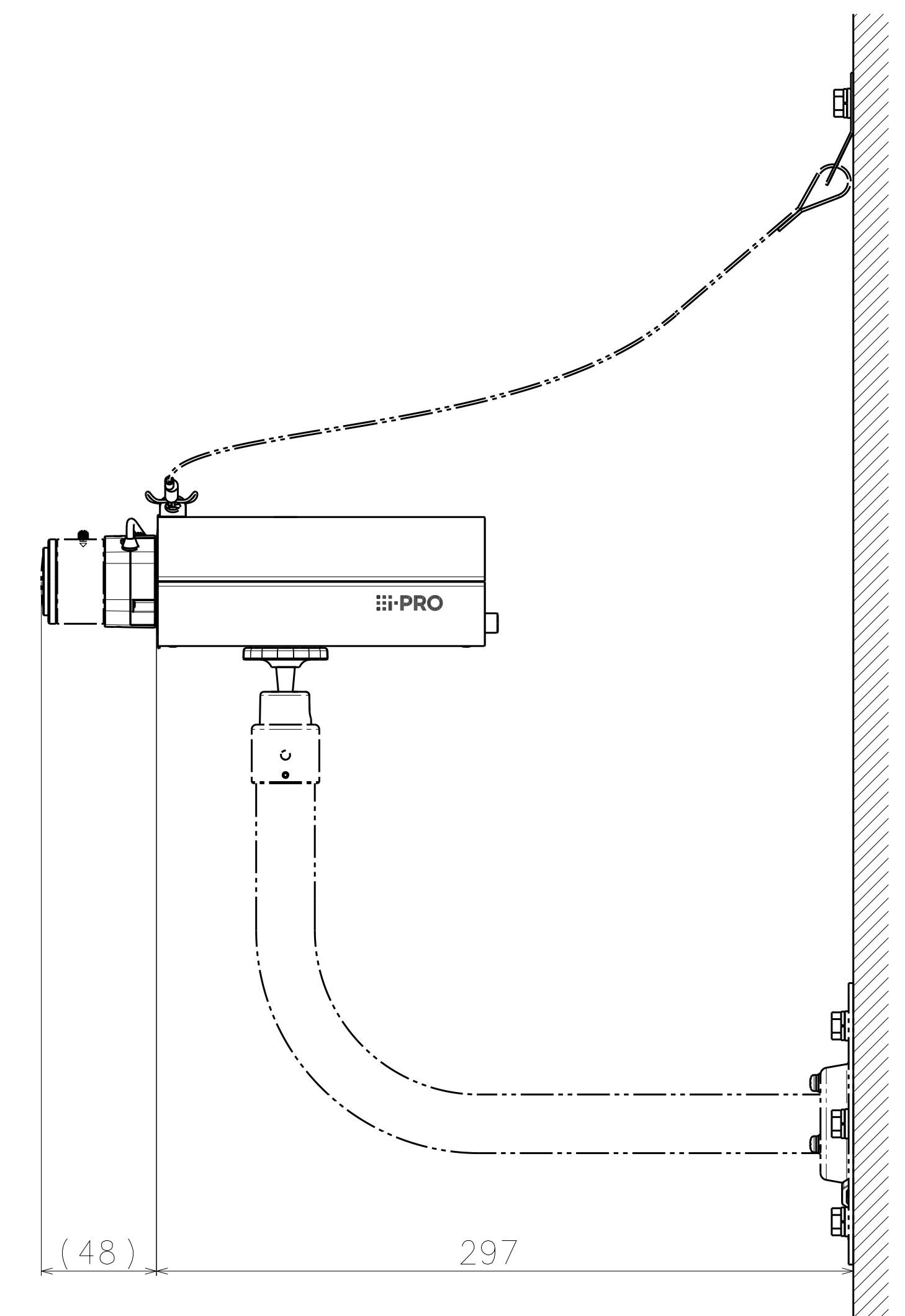
Mass : Approx. 370 g {0.82 lbs}



Model number
WV-S1136UX
WV-S1136D



Attach to WV-Q180UX
(S=1:2)



Attach to WV-Q181UX
(S=1:2)

Model number
WV-S1136UX
WV-S1136D