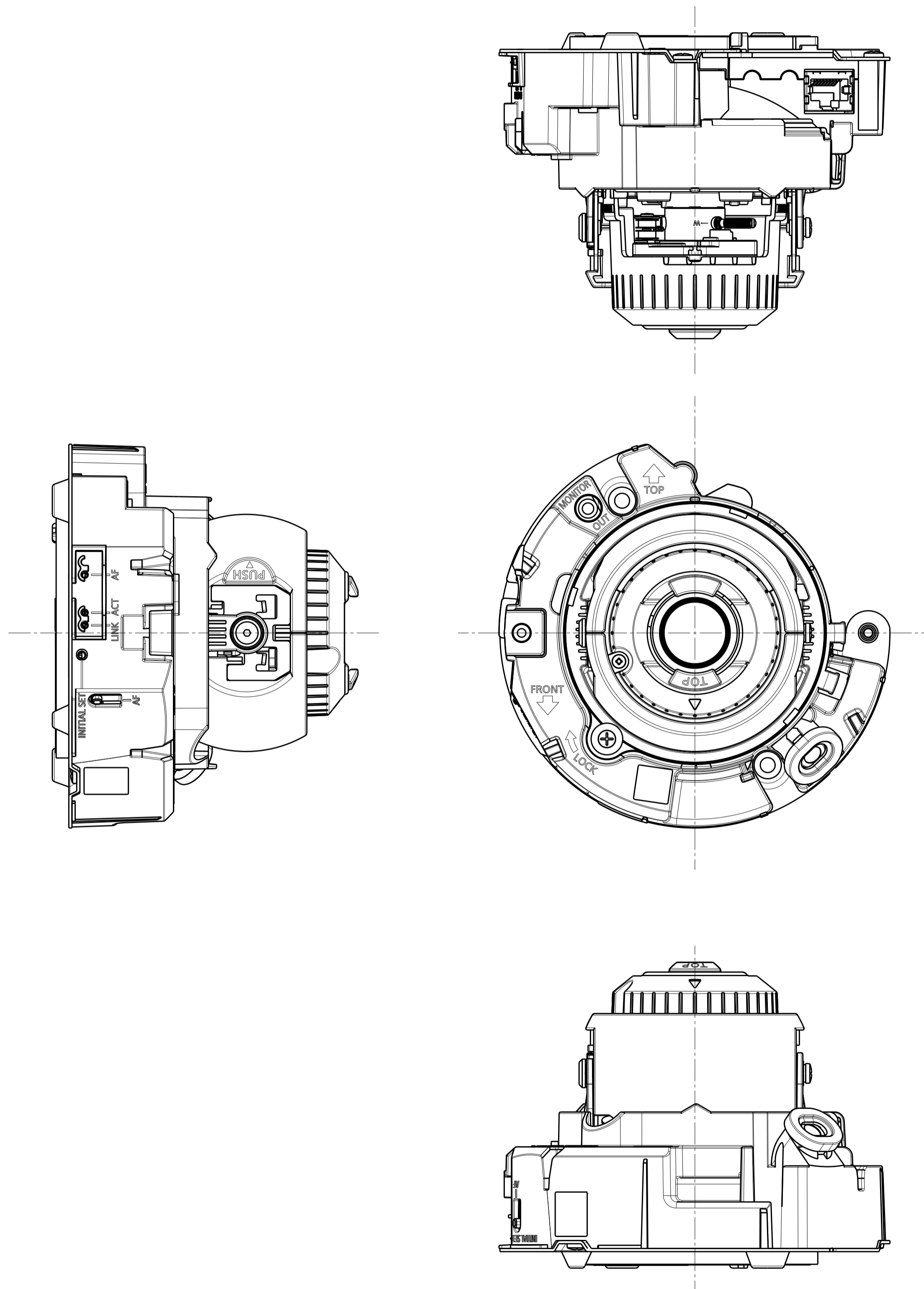


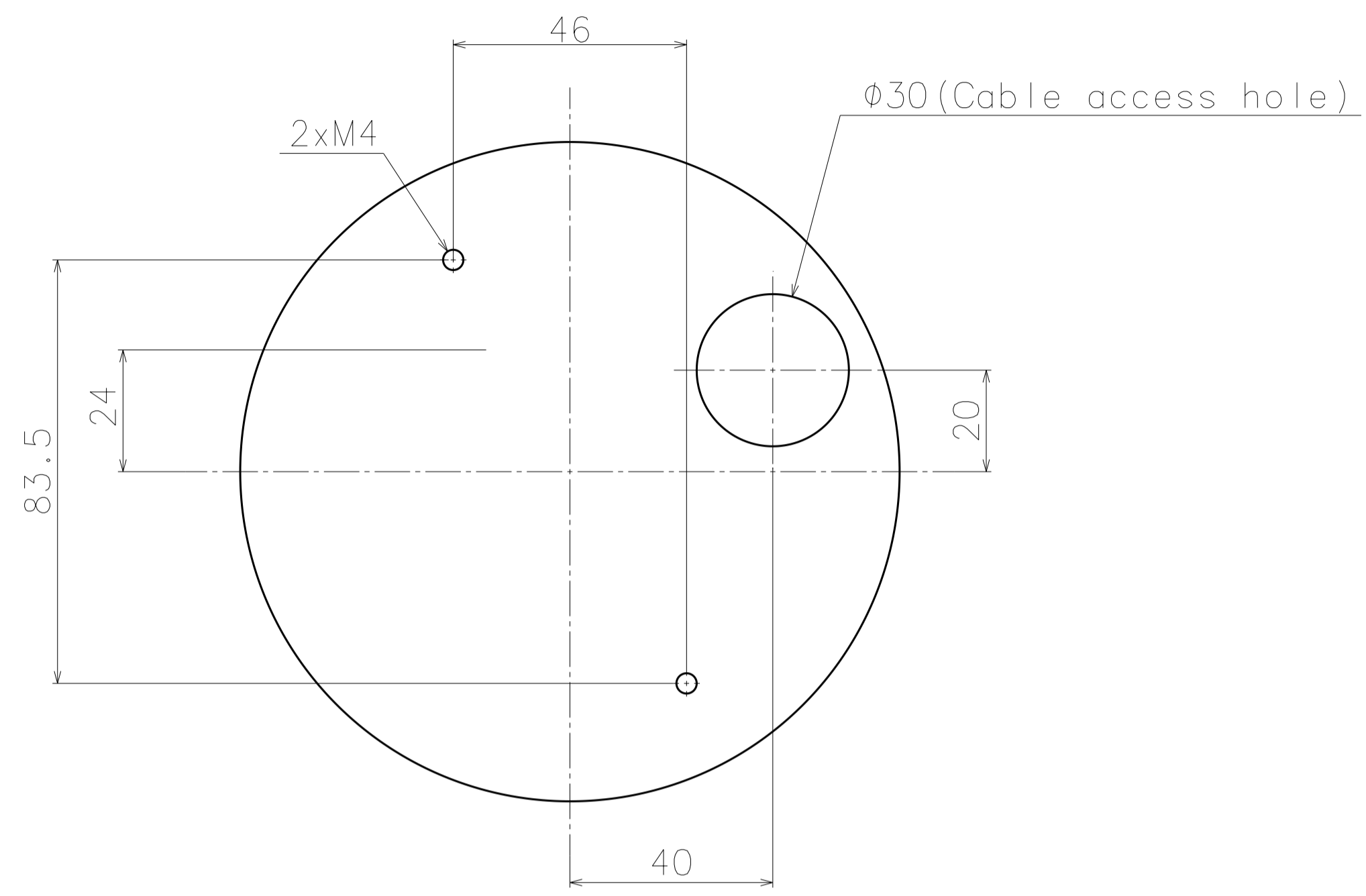
Model number
WV-S2130RJUX

Mass : Approx. 510 g {1.13 lbs}

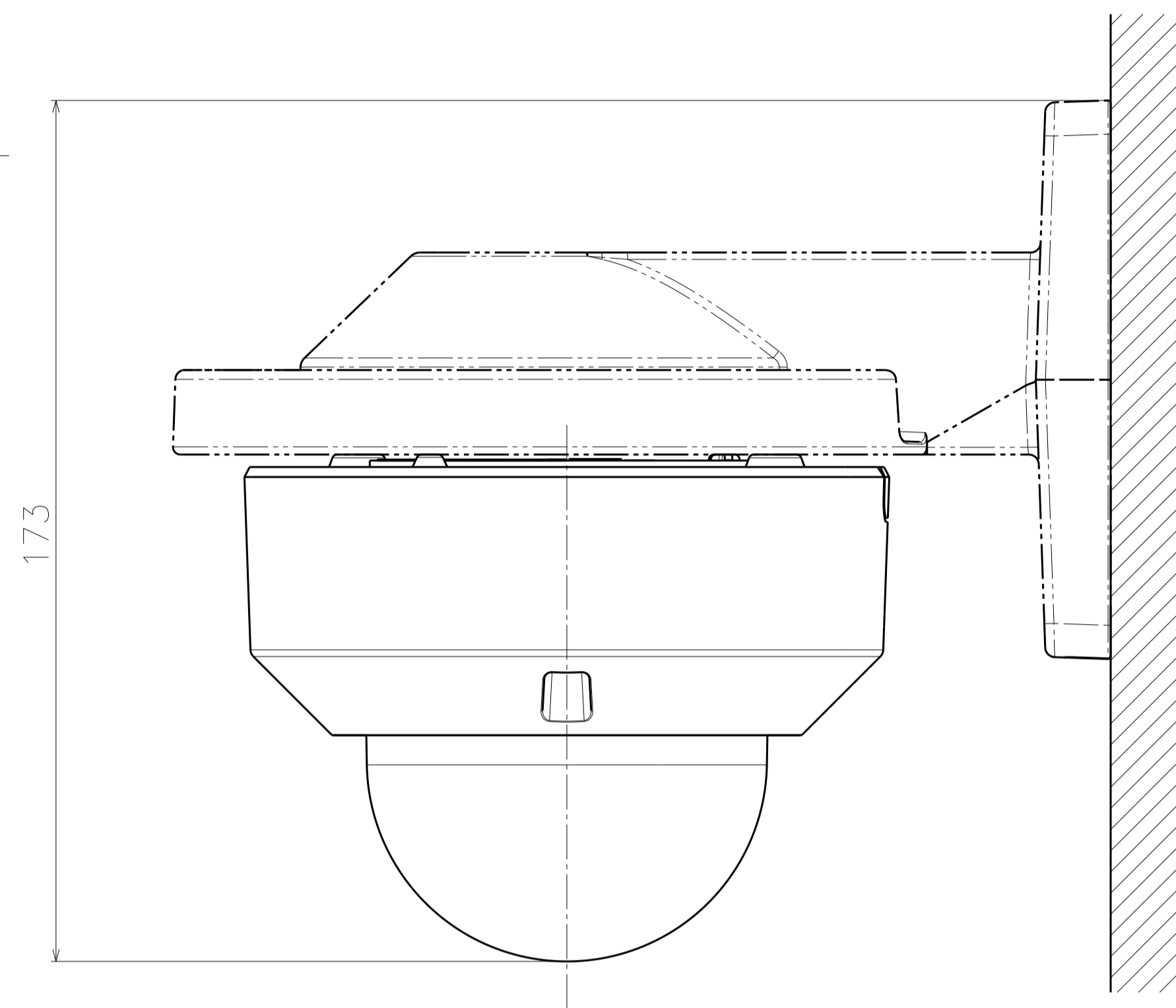


Without Enclosure

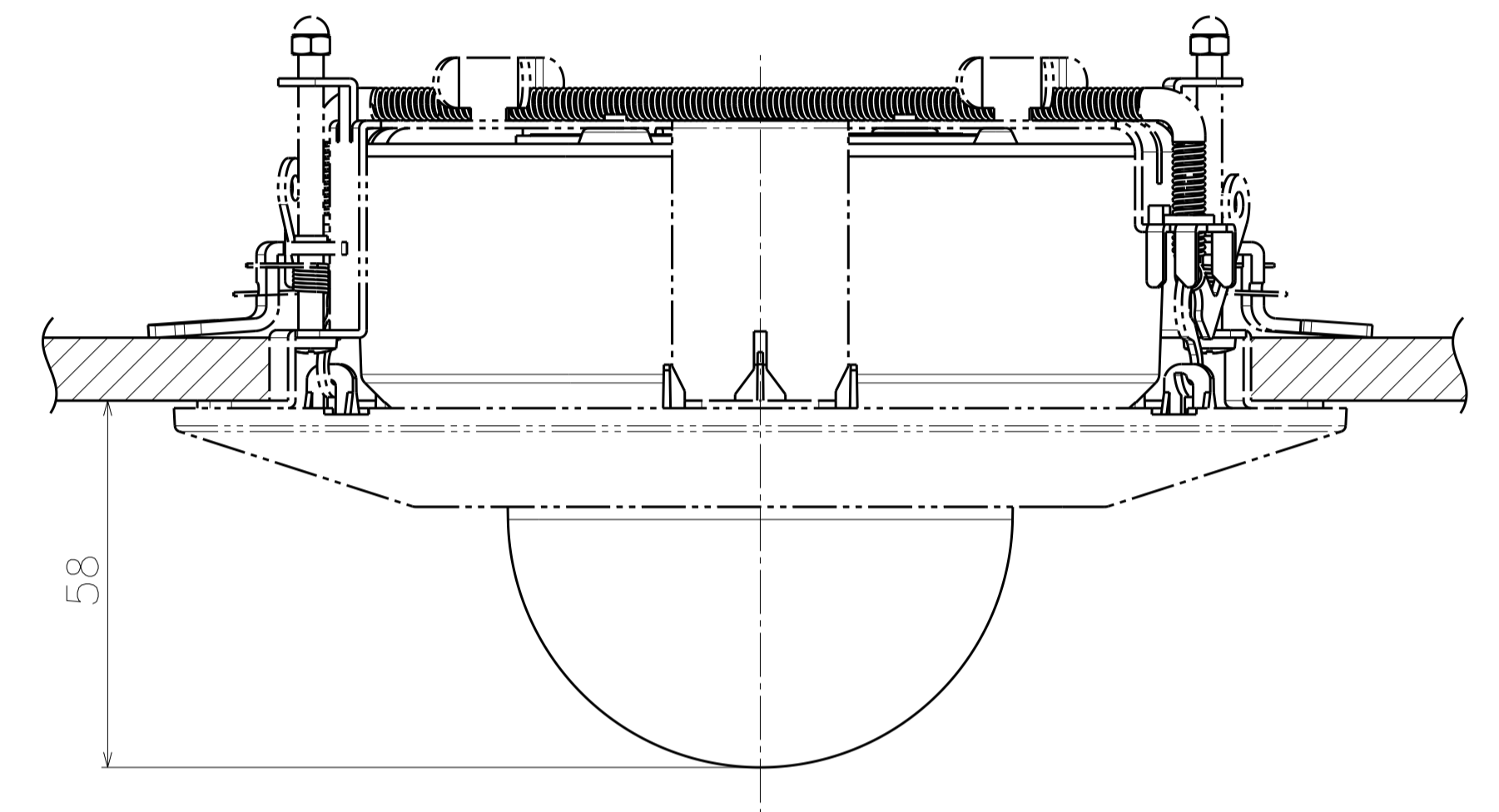
Model number
WV-S2130RJUX



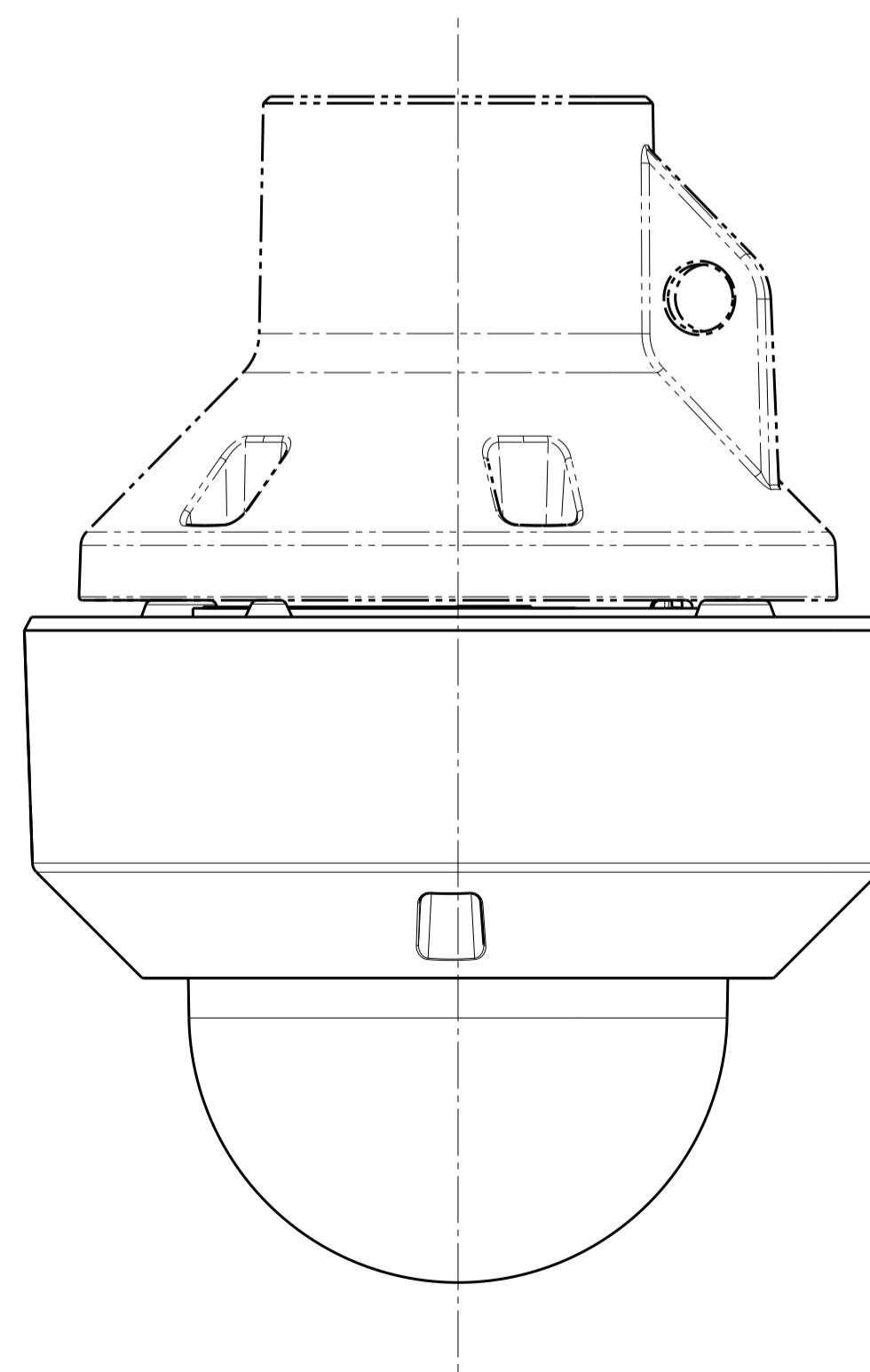
Template for mounting



Attach to WV-QWL500-WUX



Attach to WV-QEM100WUX



Attach to WV-QCL100-WUX

Model number
WV-S2130RJUX