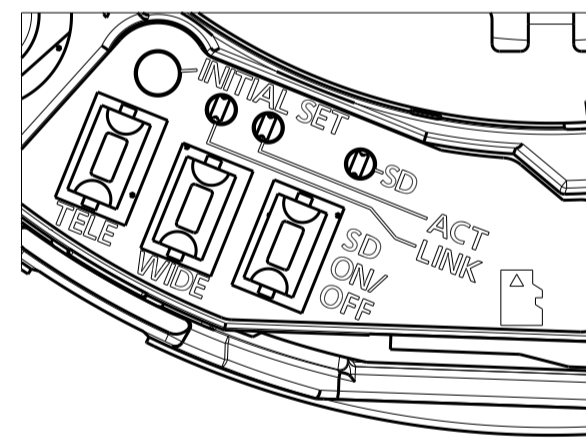
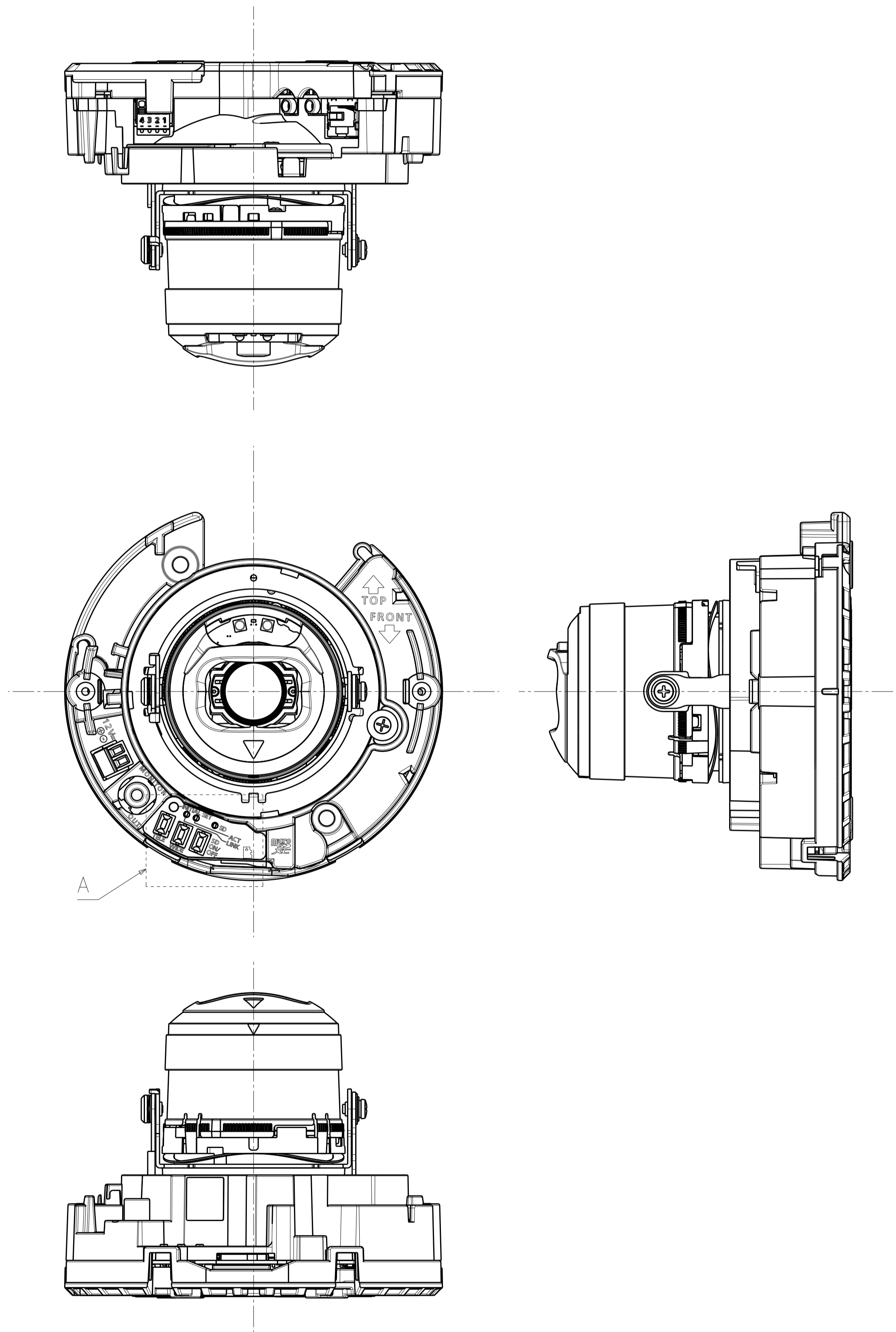


Model number
 WV-S2136LUX
 WV-S2136LD

Mass : Approx. 470 g {1.04 lbs}

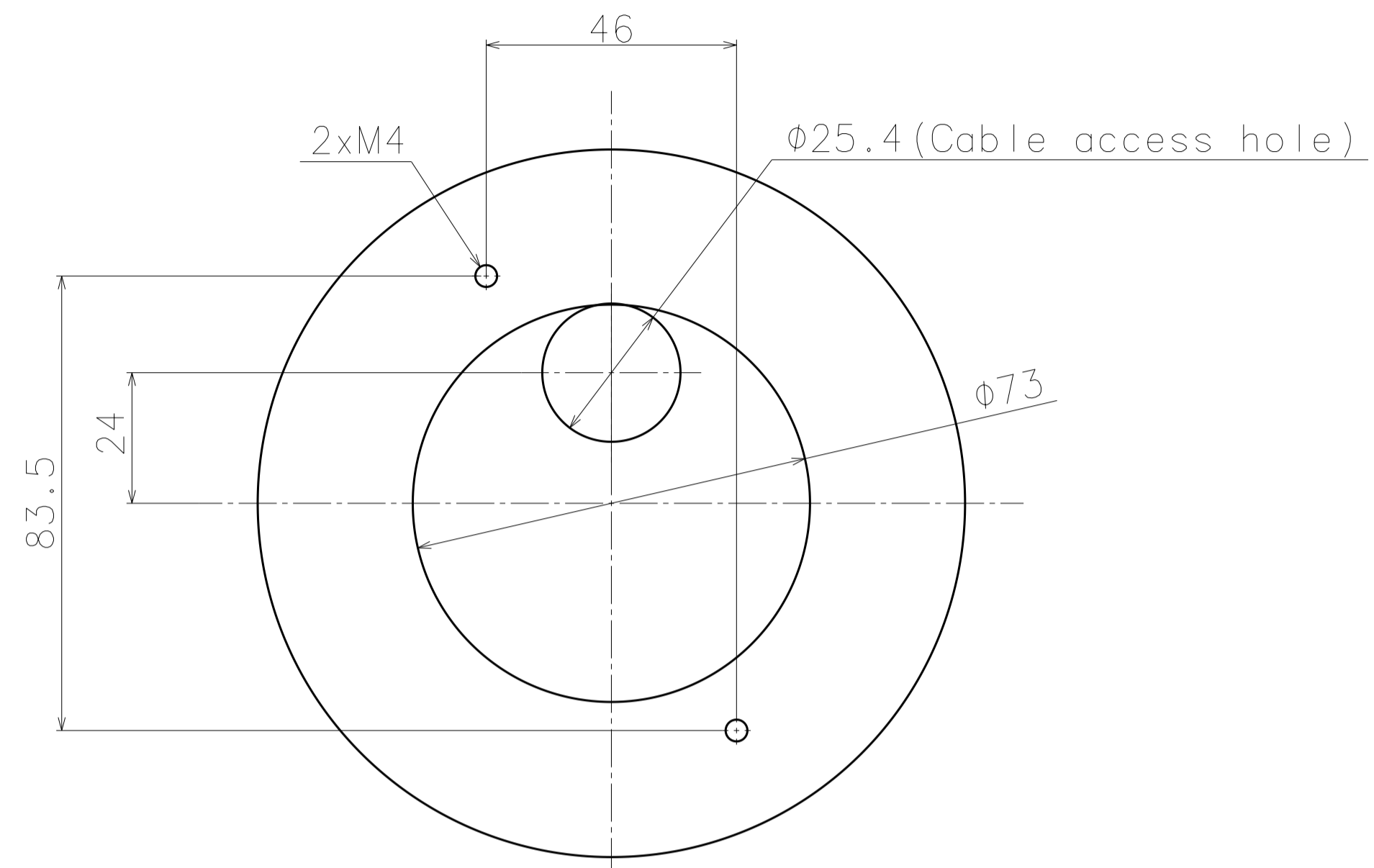


Detail A (2:1)

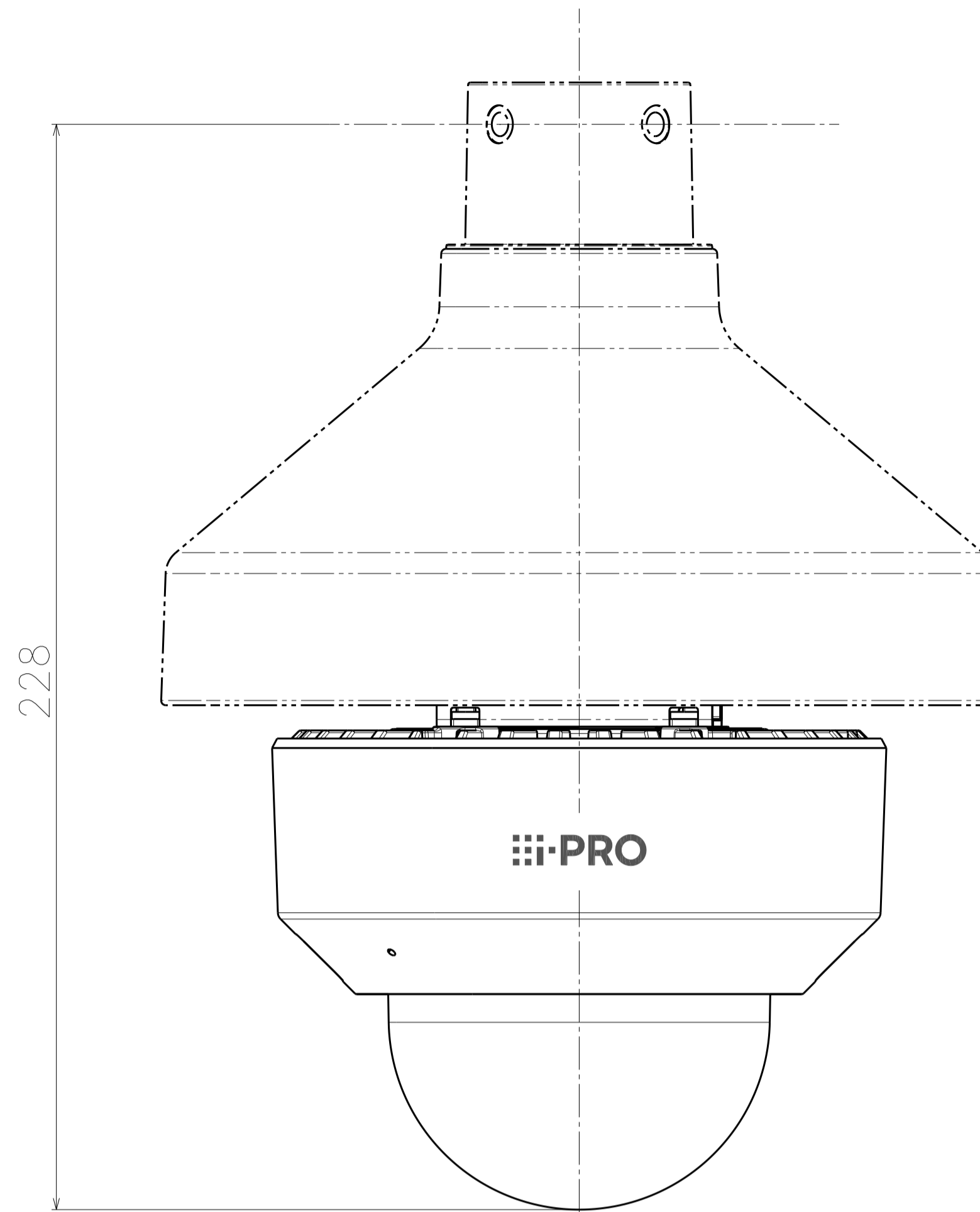


Without Enclosure

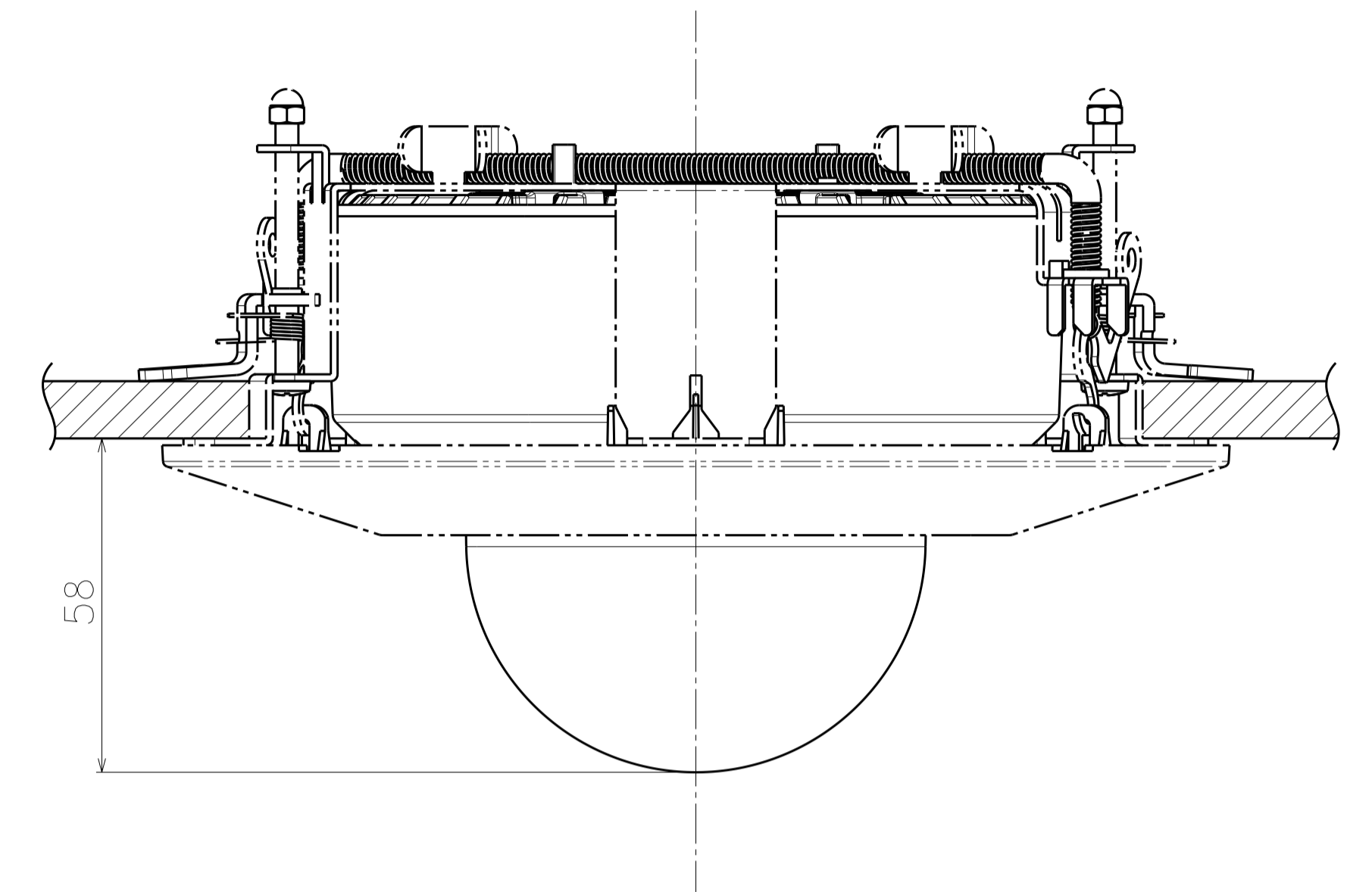
Model number
WV-S2136LUX
WV-S2136LD



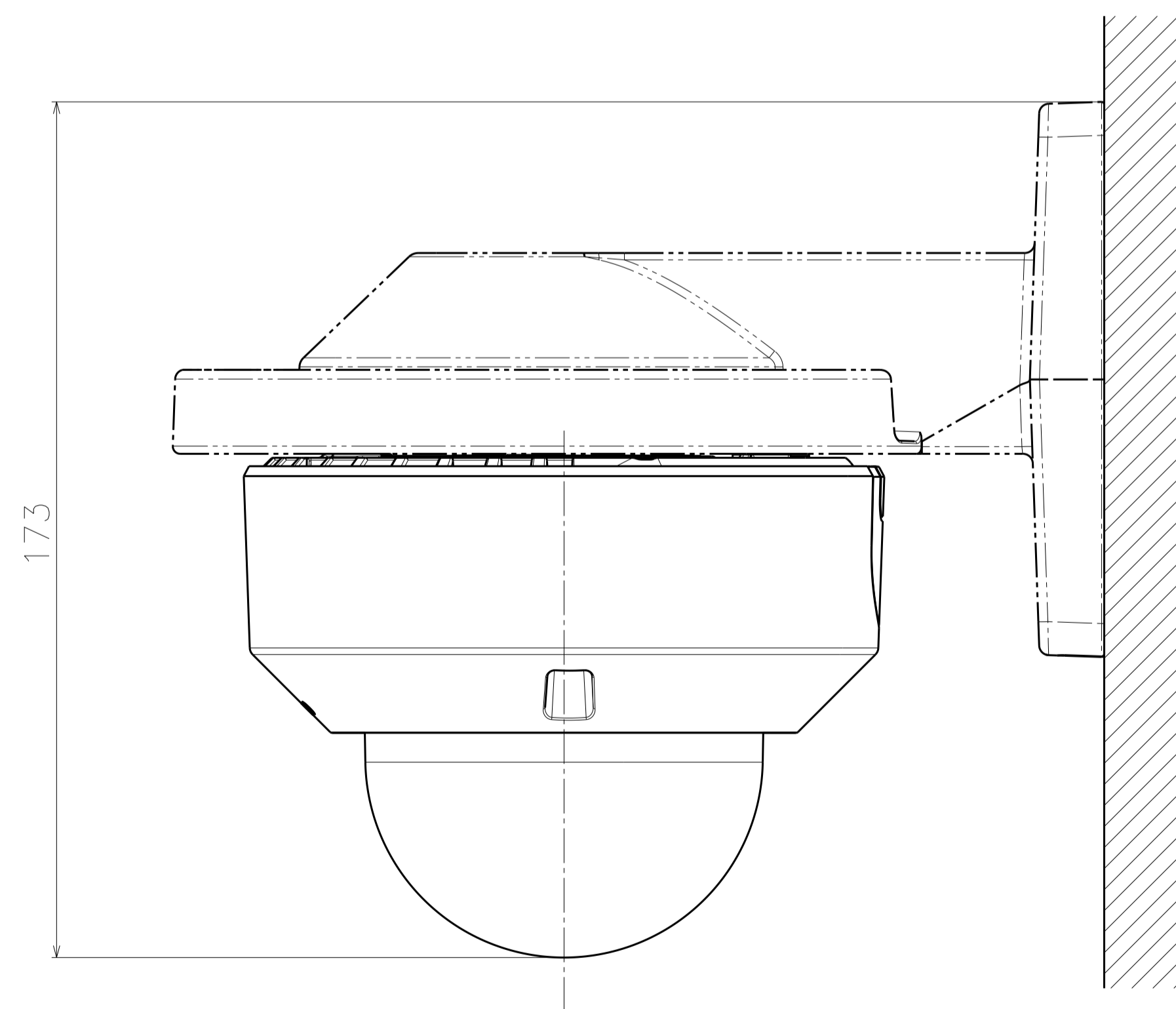
Template for mounting



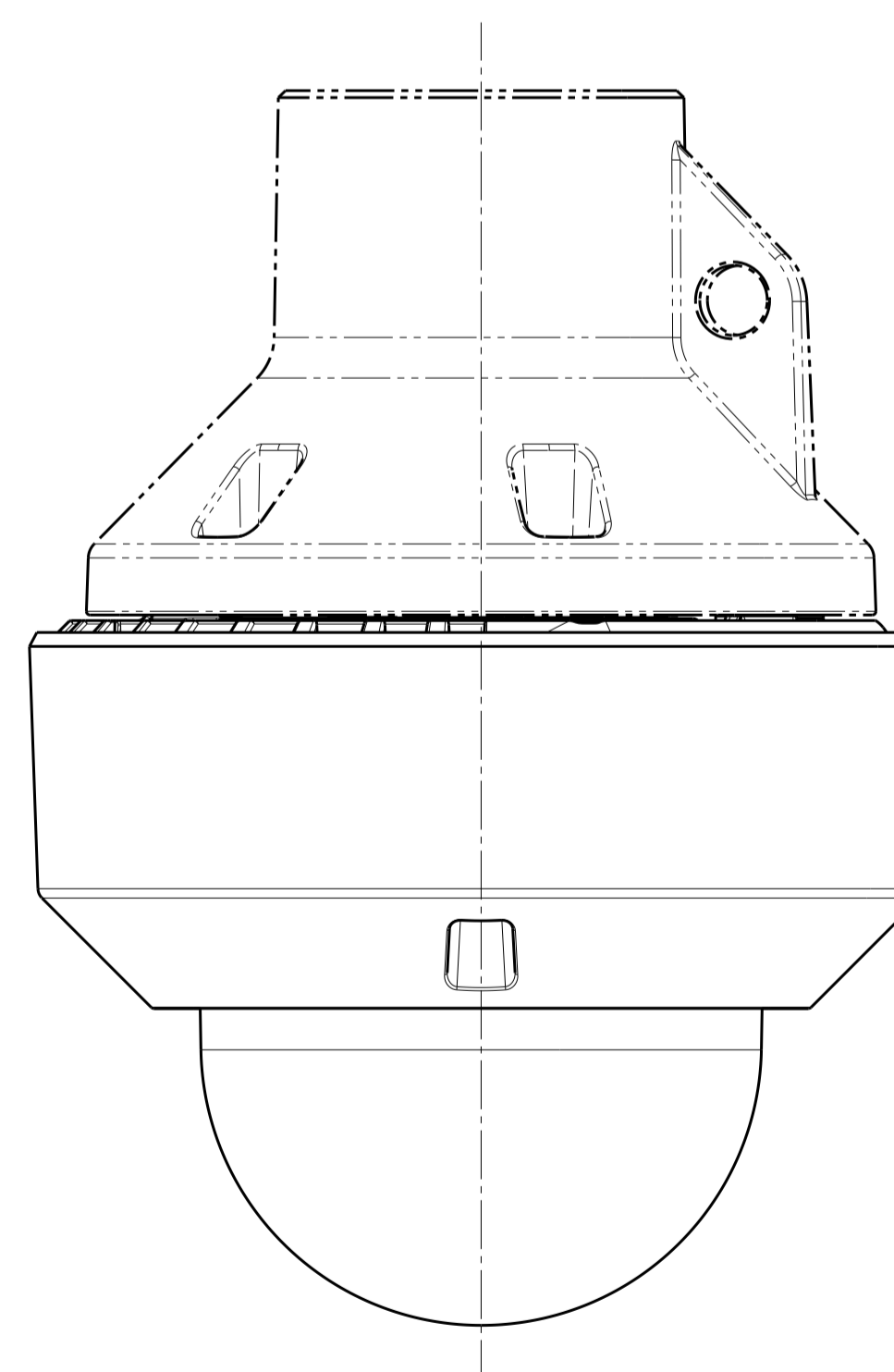
Attach to WV-QSR501-WUX



Attach to WV-QEM100WUX



Attach to WV-QWL500-WUX



Attach to WV-QCL100-WUX

Model number
WV-S2136LUX
WV-S2136LD