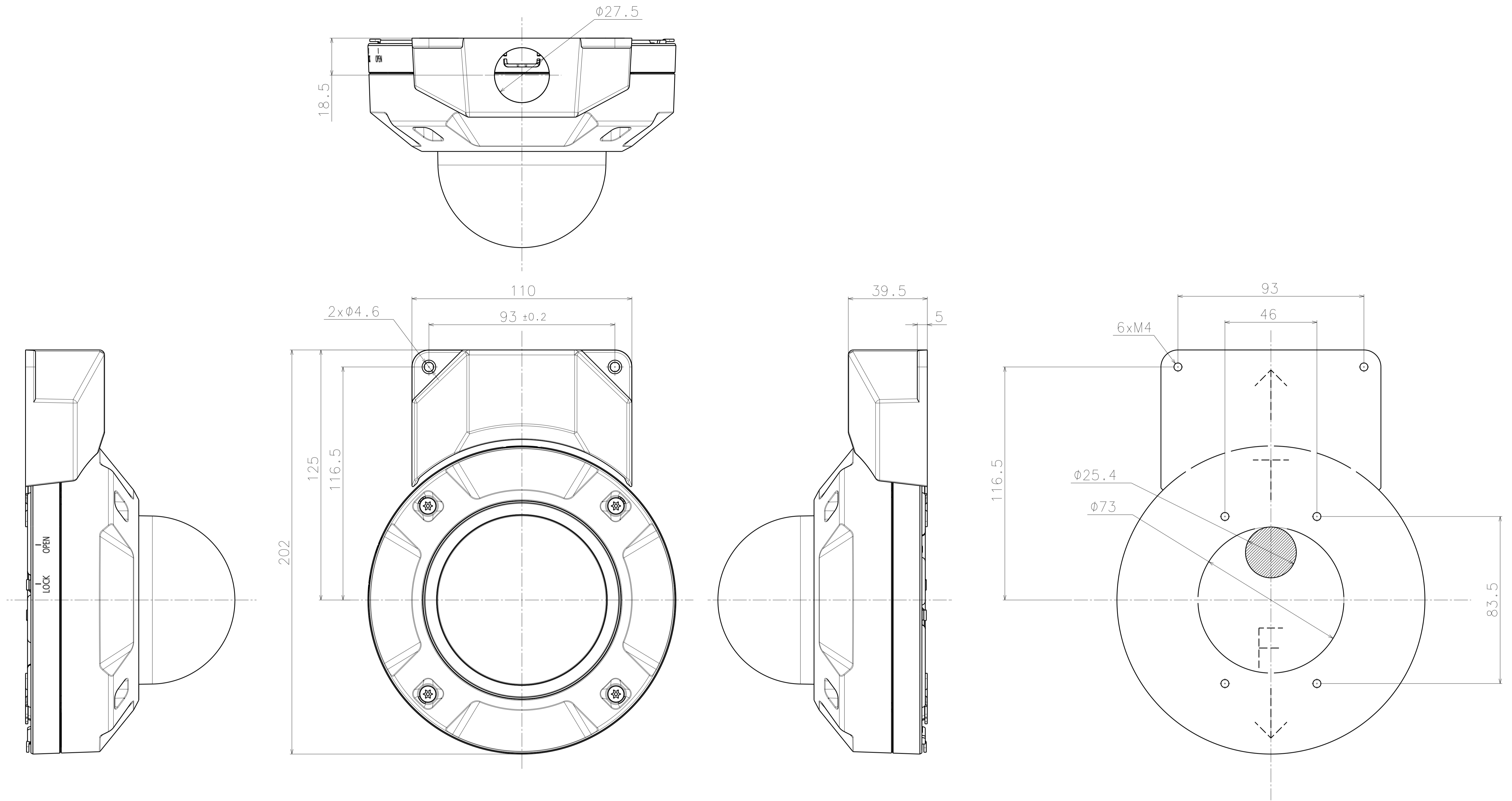


With Attachment plate

Model number
 WV-S2536LNUX
 WV-S2536LTNUX

	投影面積/Projected area
側面図/Side-view	0.011 (m ²)

Mass : Approx. 1.1 kg {2.43 lbs} (Excluding attachment for the conduit portion)



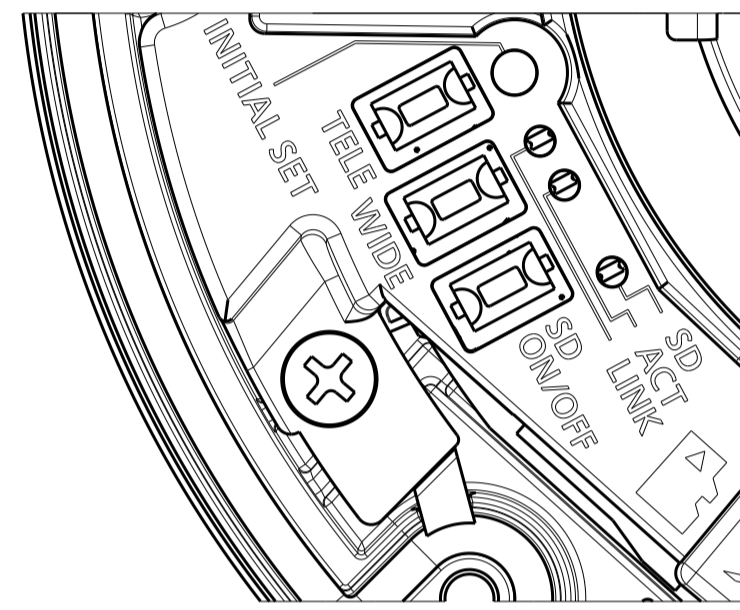
With Attachment for the conduit

Template for mounting

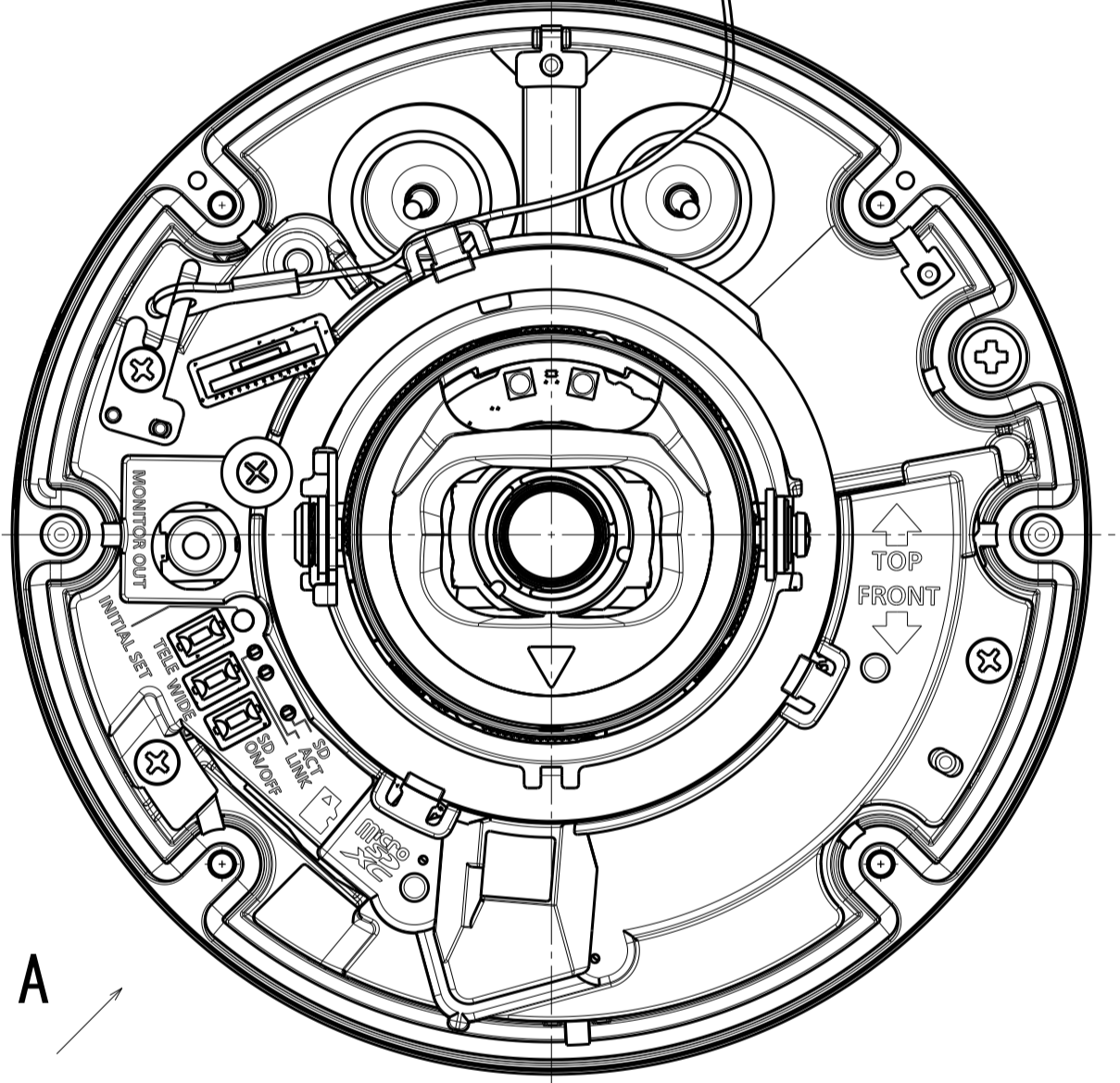
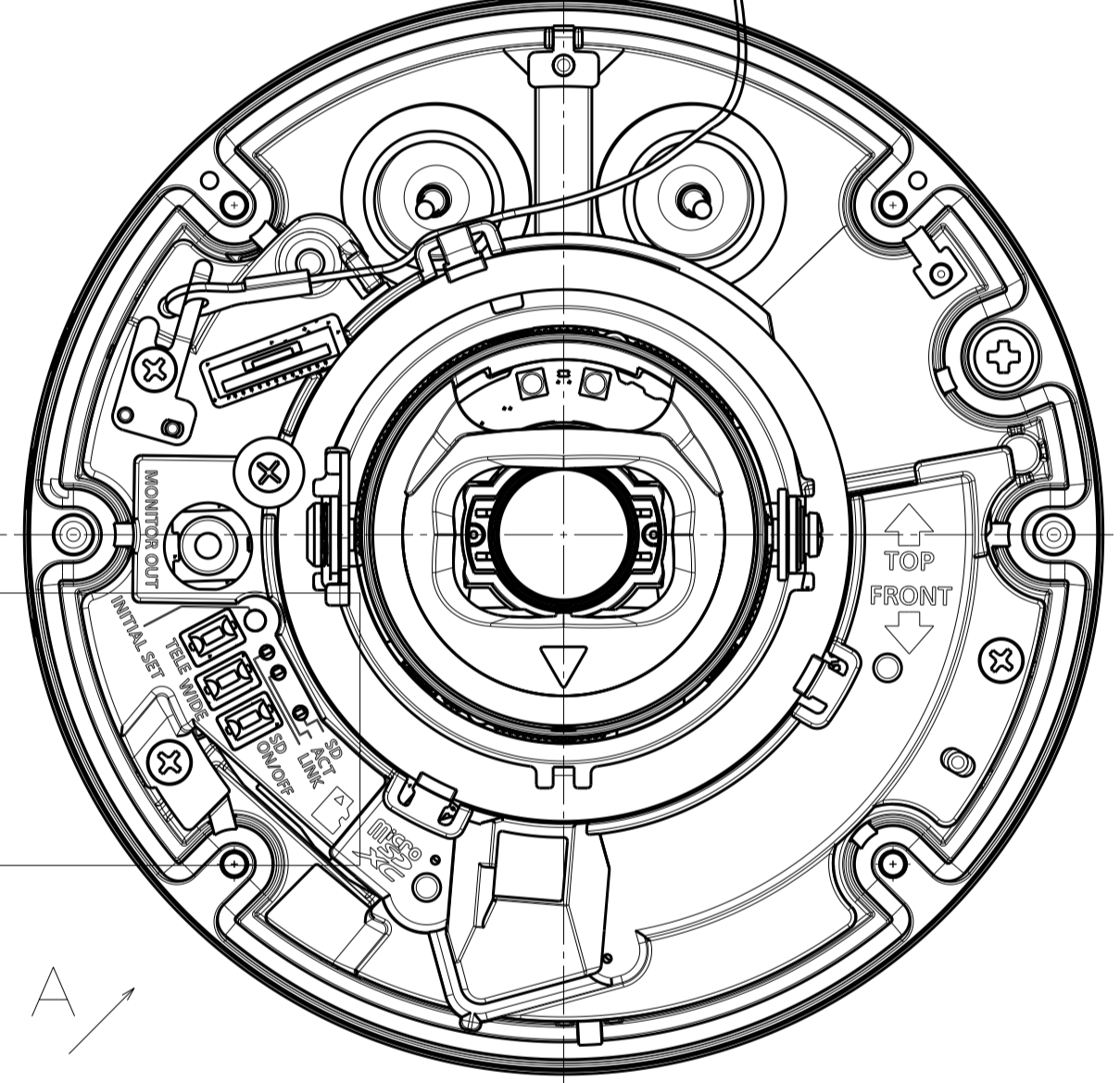
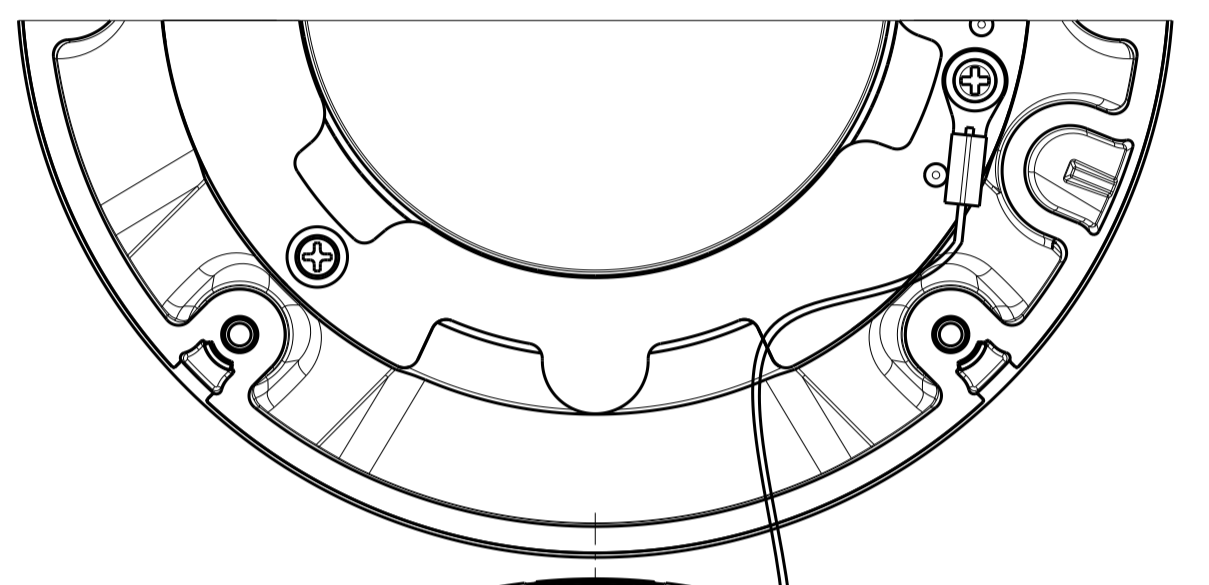
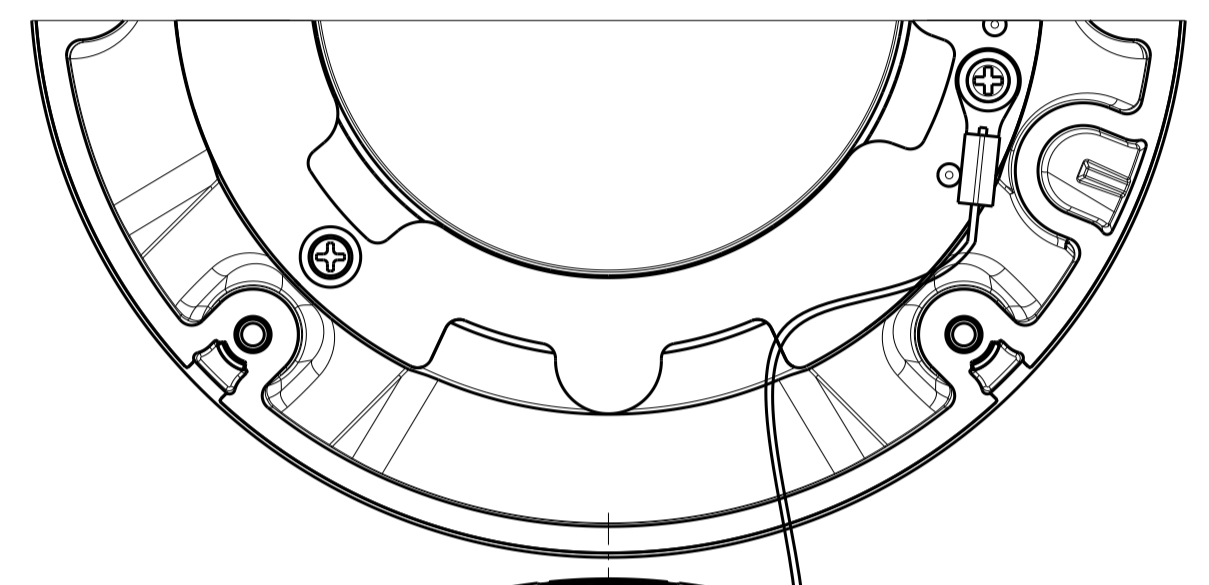
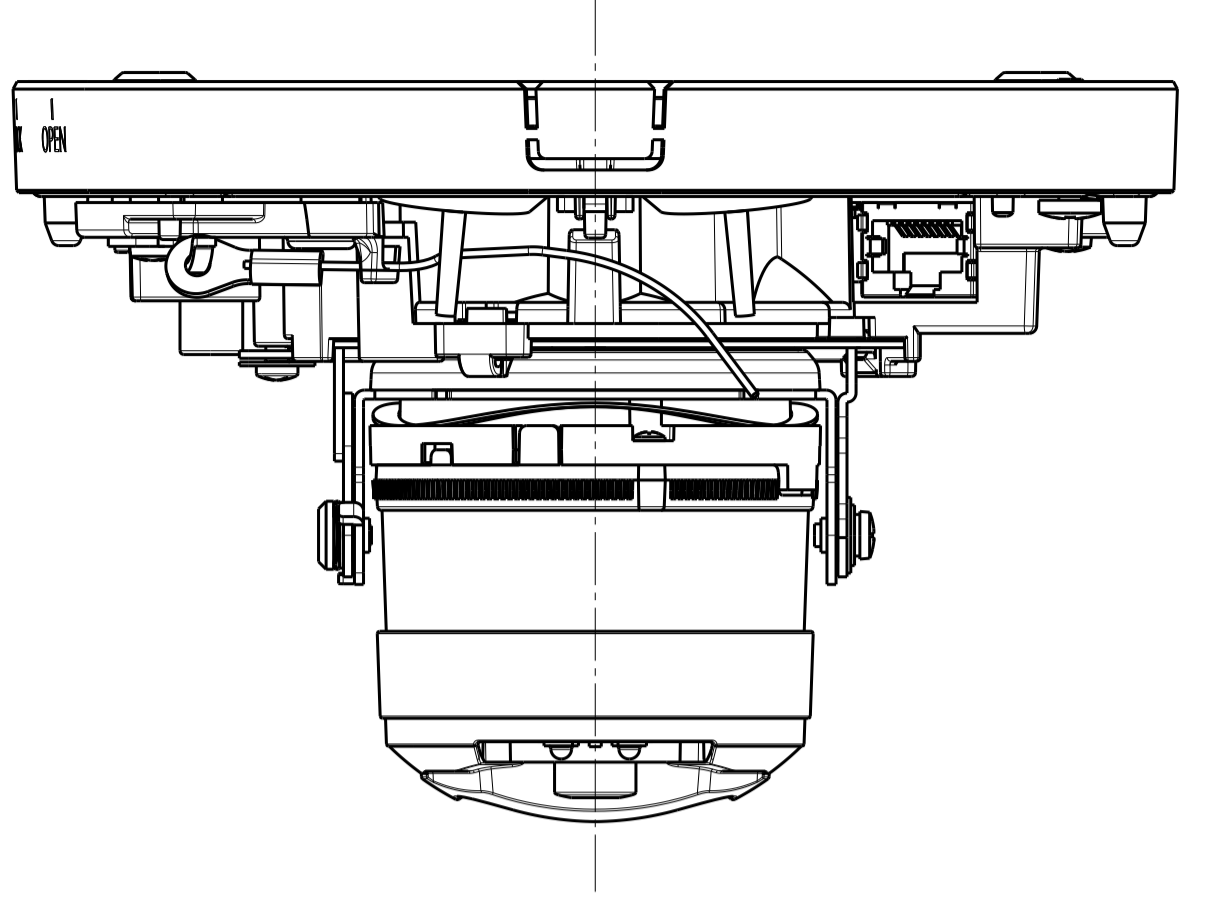
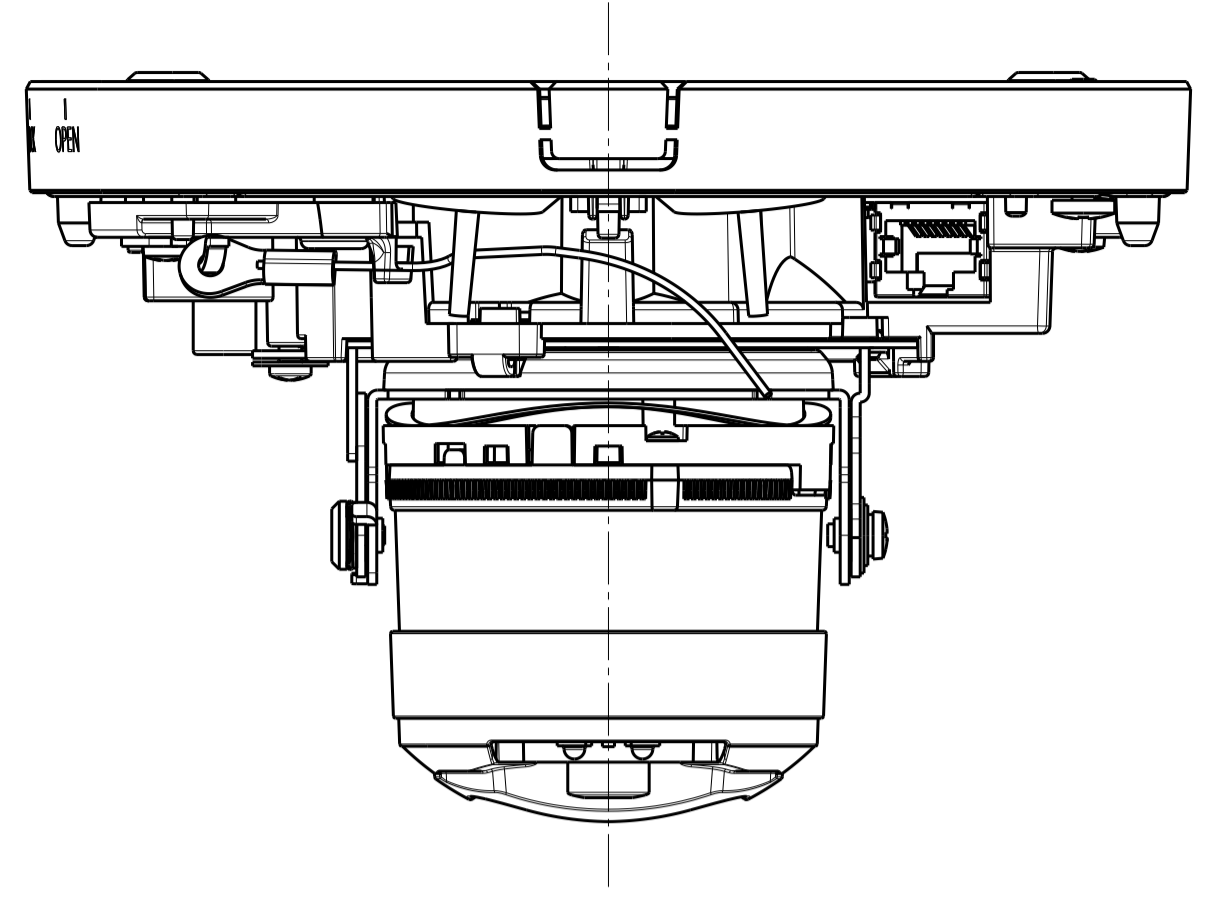
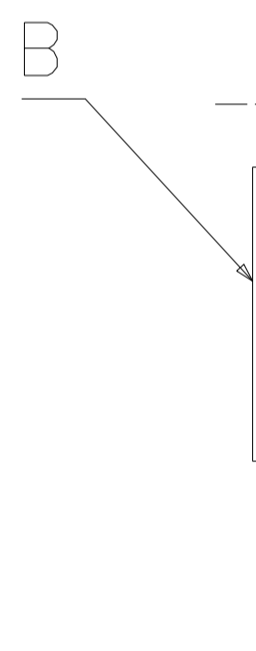
Model number
 WV-S2536LNUX
 WV-S2536LTNUX

側面図/Side-view	投影面積/Projected area
	0.013 (m ²)

Mass : Approx. 1.15 kg {2.54 lbs} (With Attachment for the conduit)

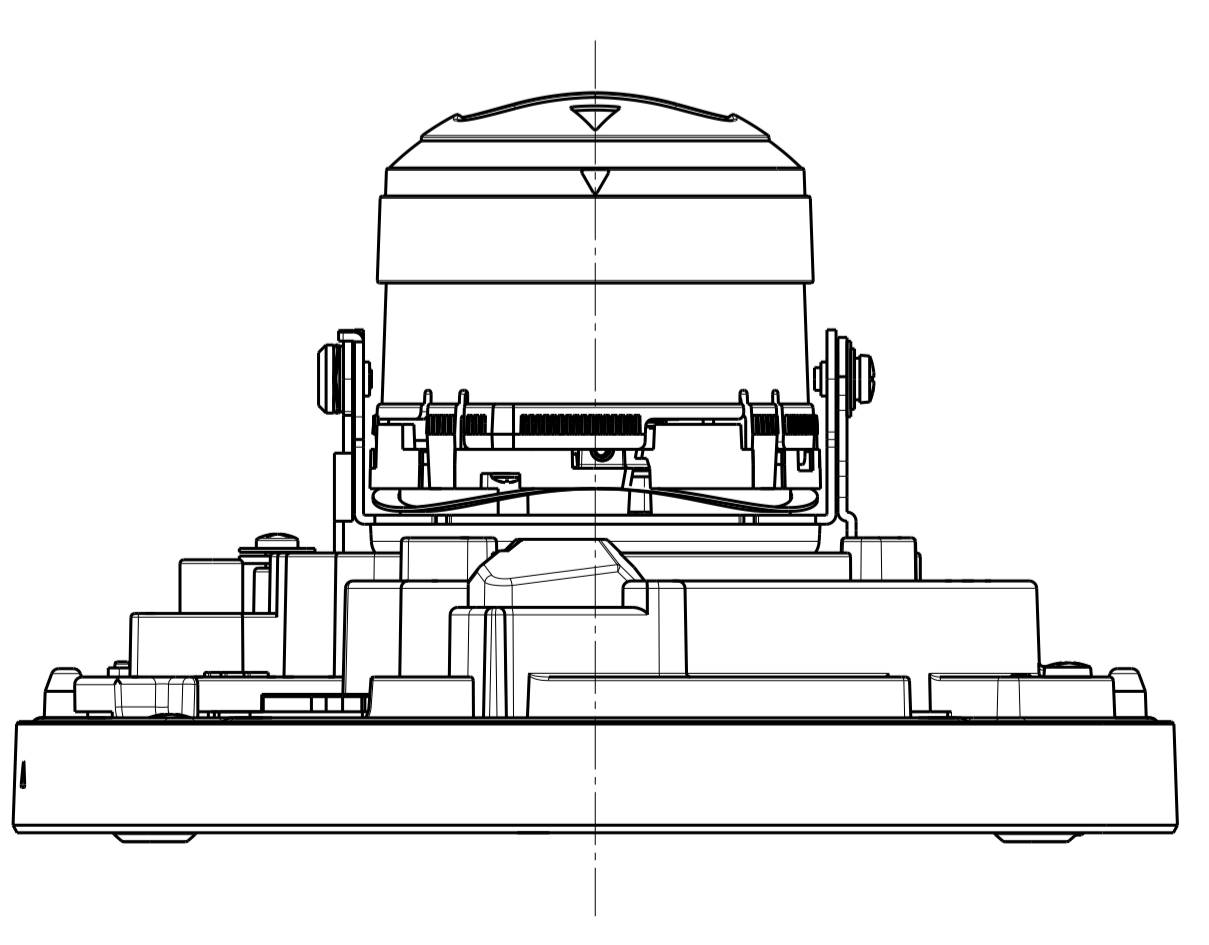
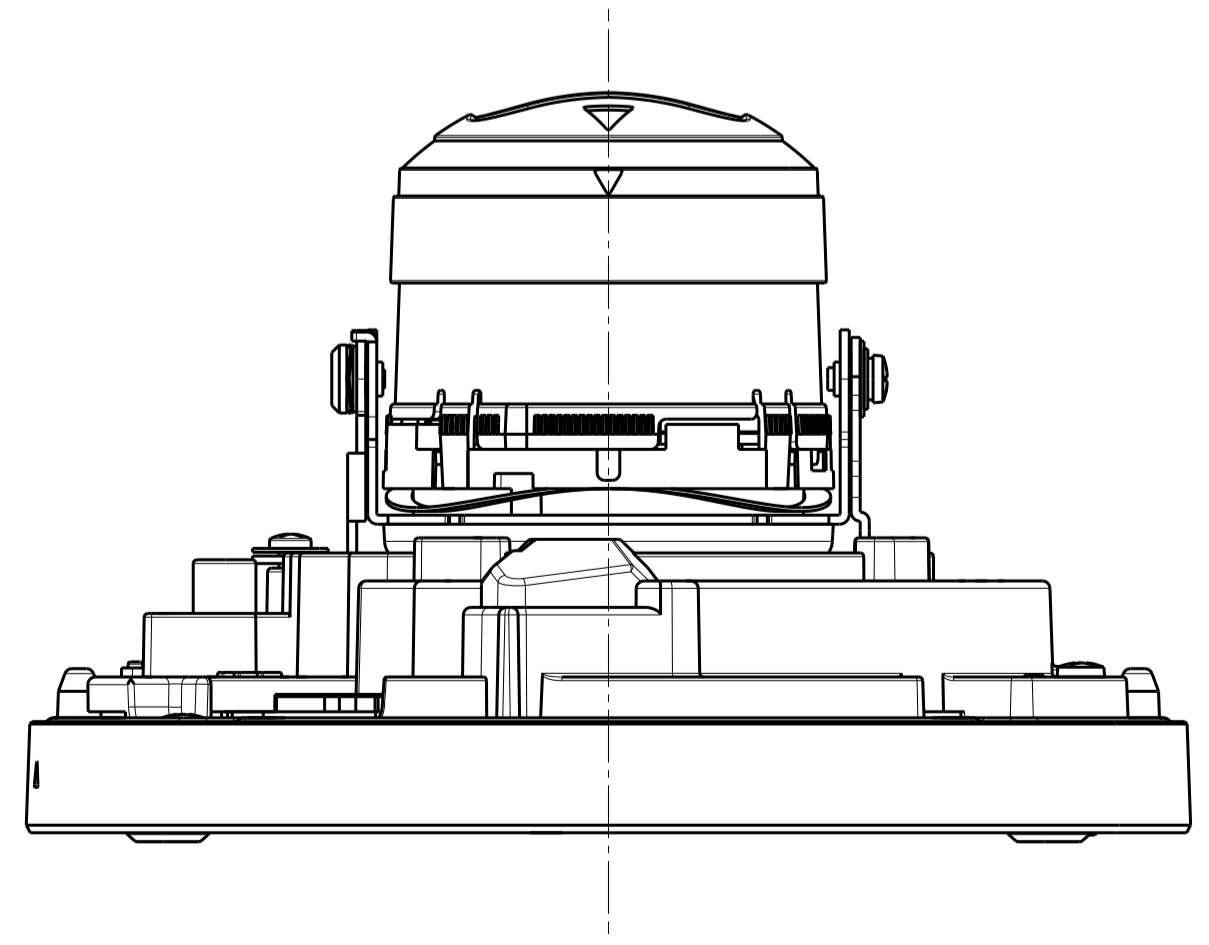


Detail B (2:1)

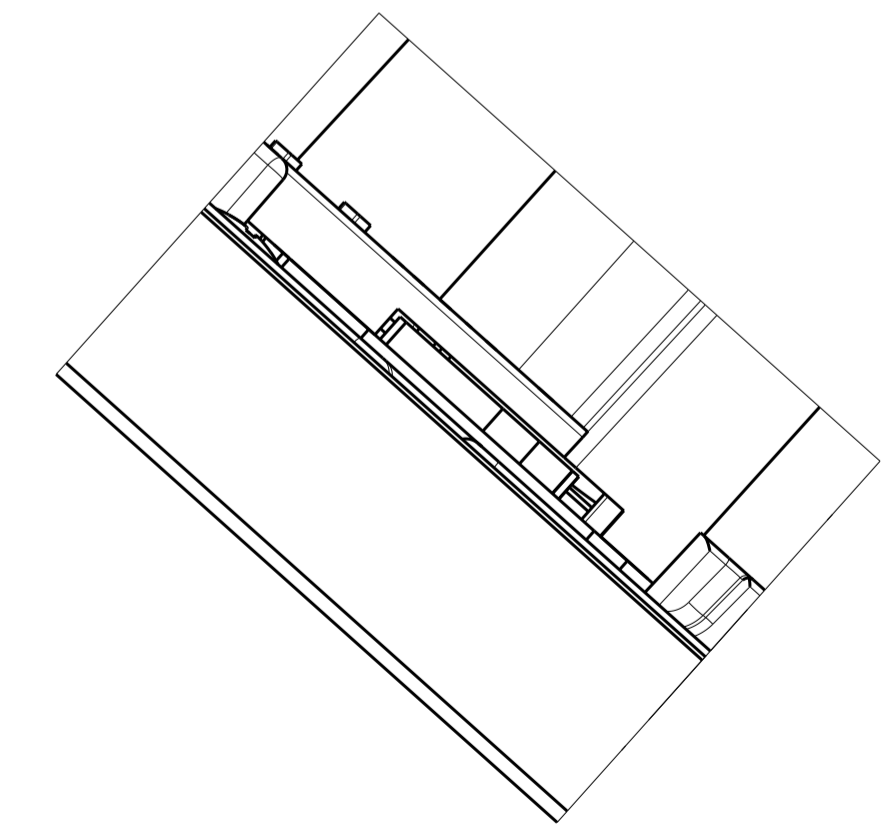
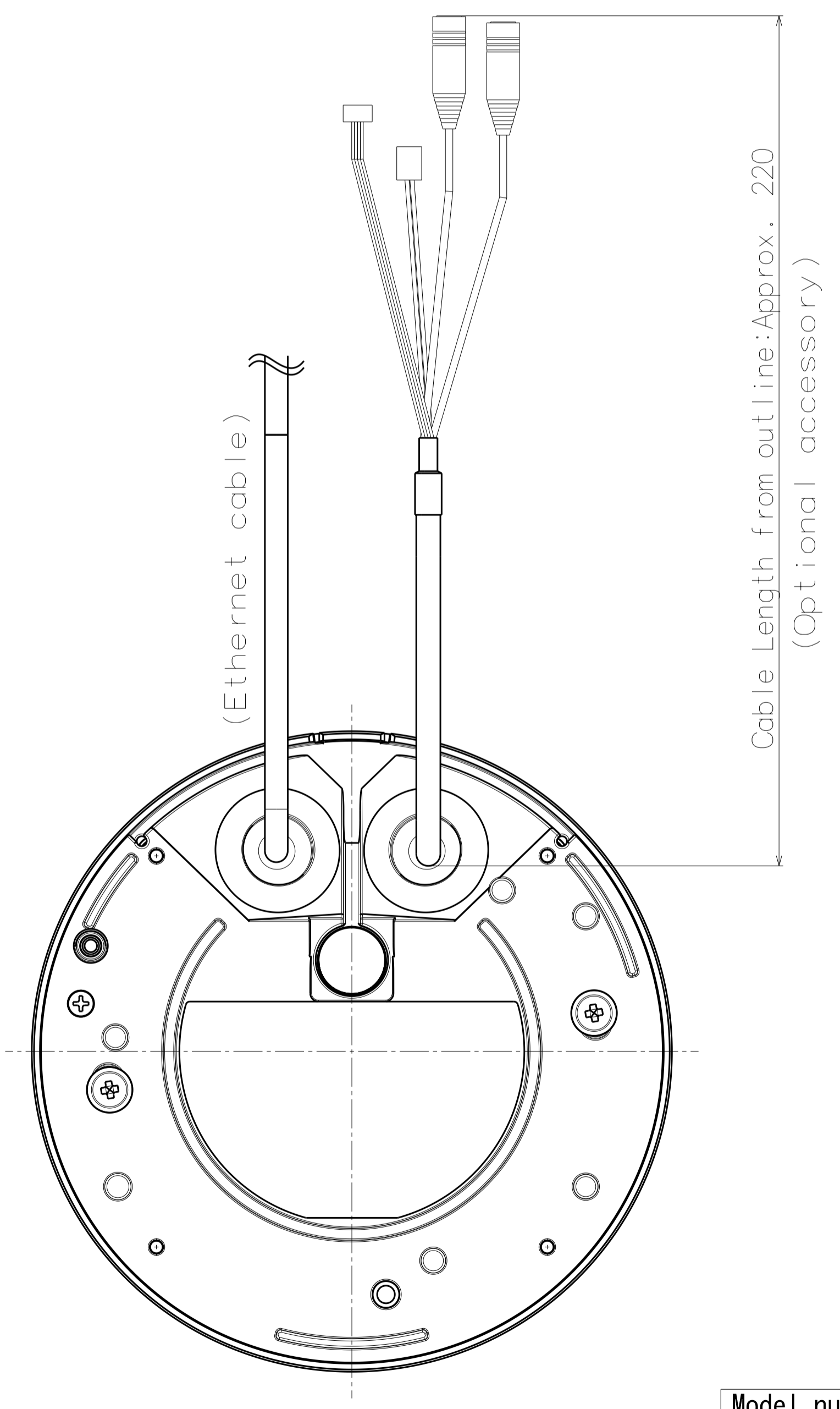


WV-S2536LNUX

WV-S2536LTNUX

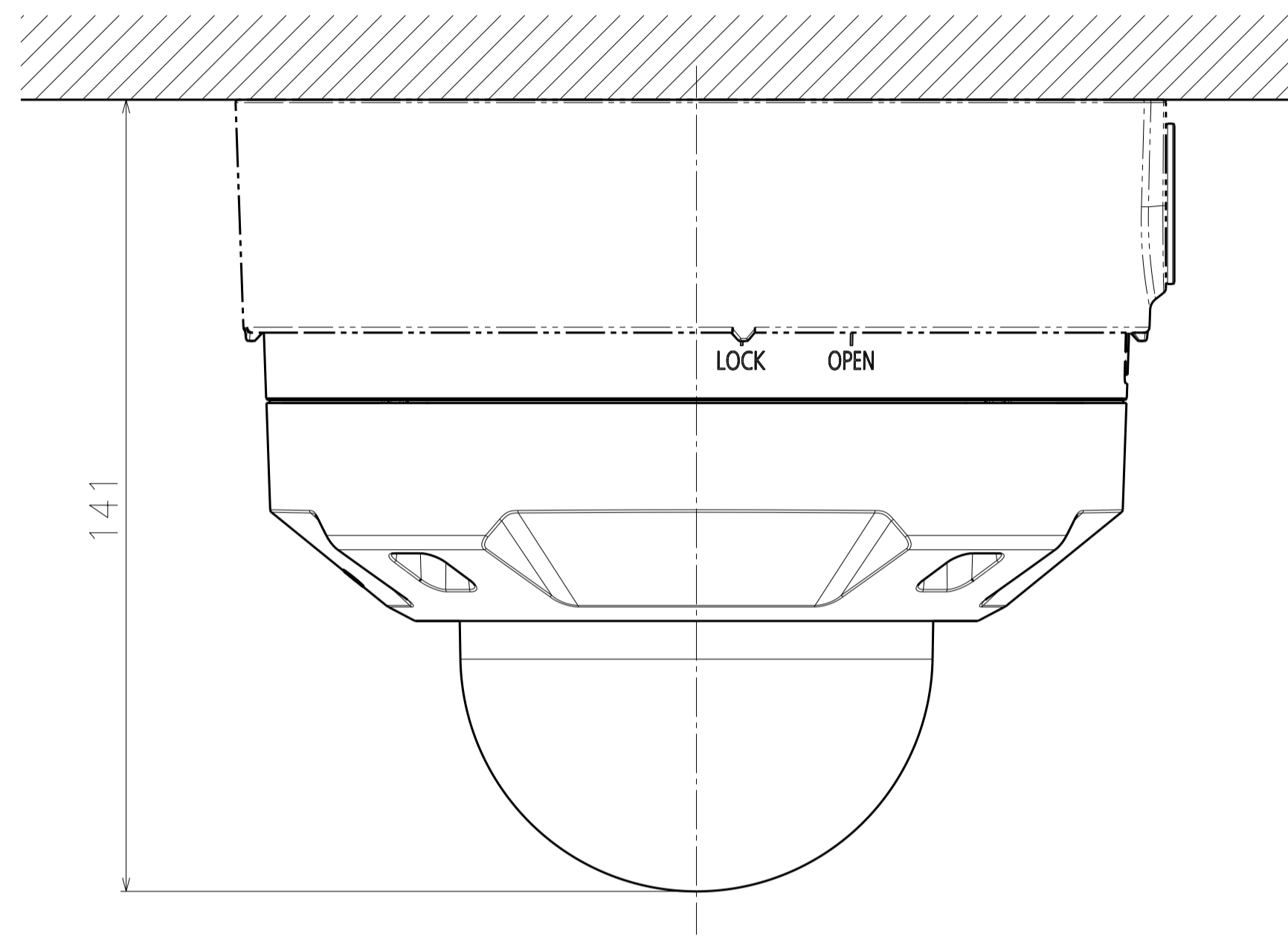


Without Enclosure



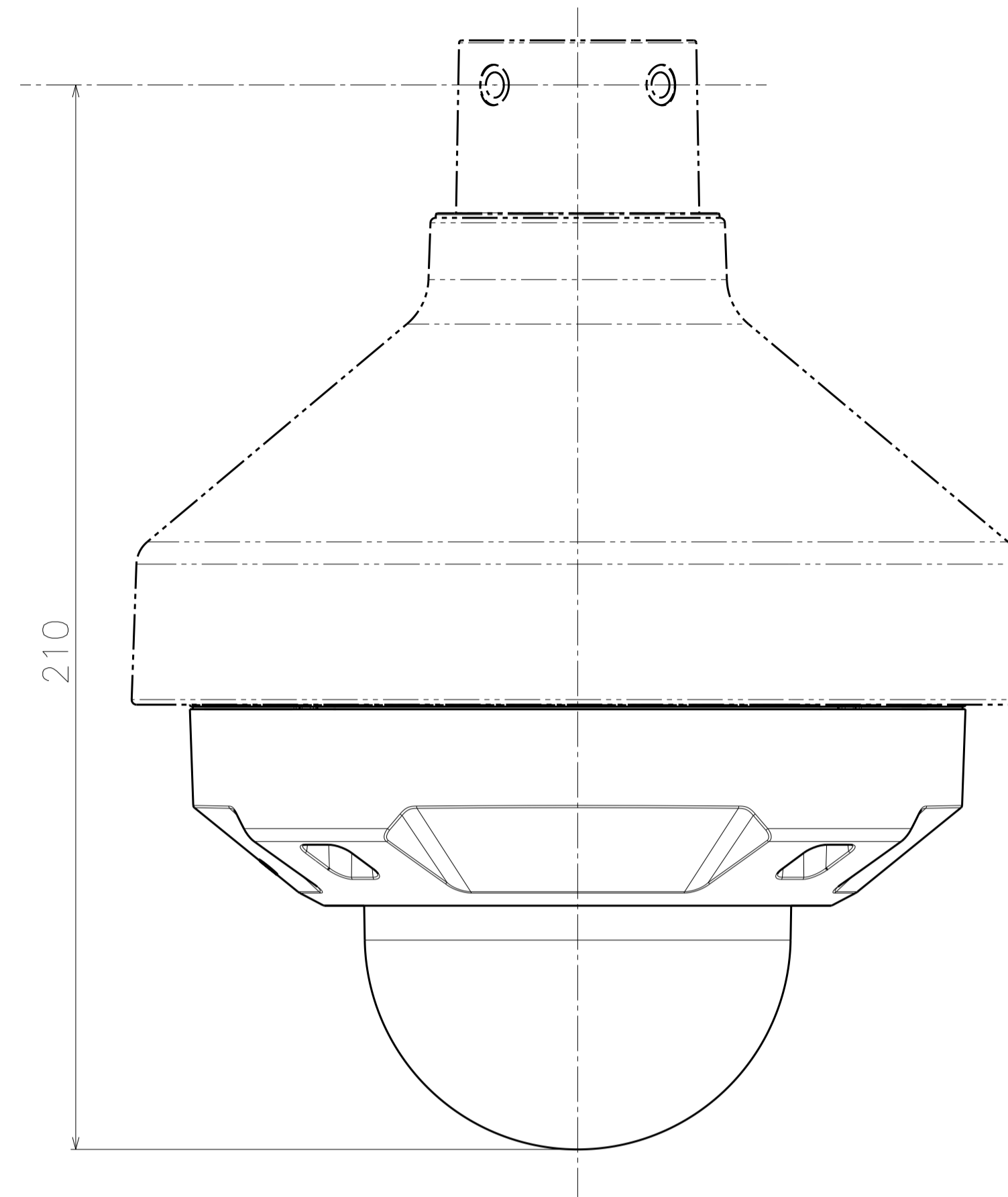
View A (2:1)

Model number
WV-S2536LNUX
WV-S2536LTNUX



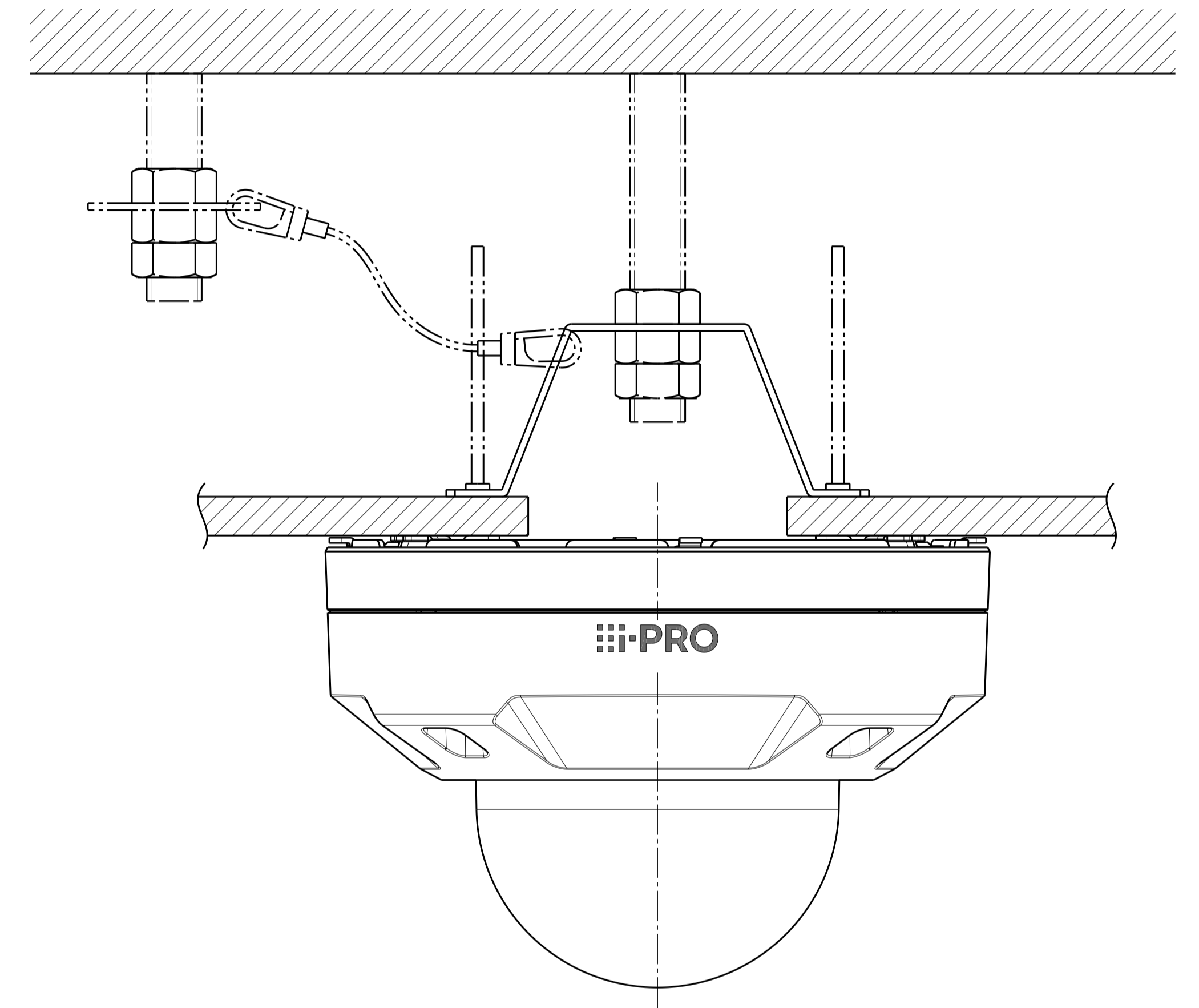
Attach to WV-QJB501-WUX

側面図/Side-view	投影面積/Projected area 0.017 (m ²)
---------------	------------------------------------------------

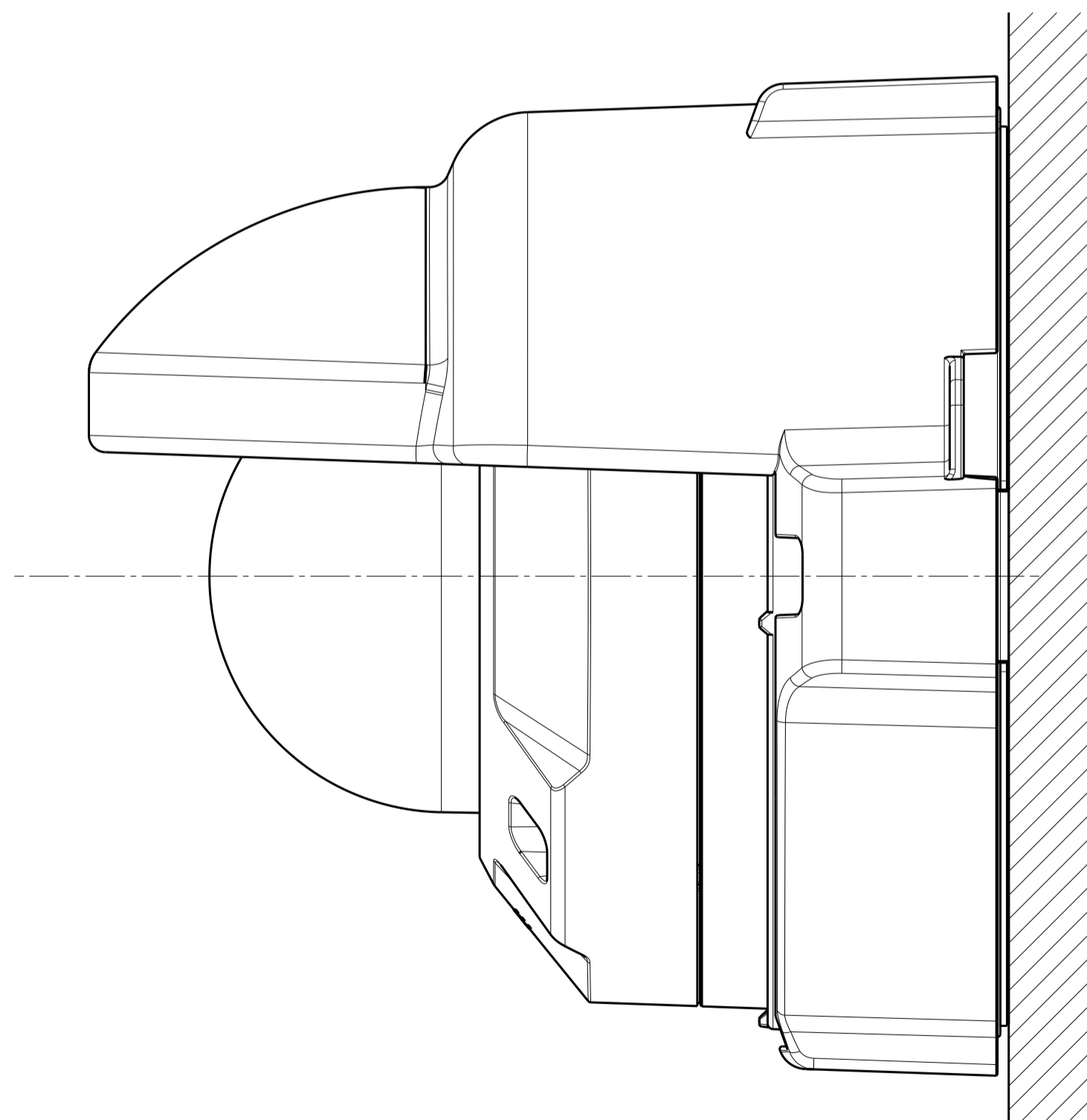


Attach to WV-QSR501-WUX

側面図/Side-view	投影面積/Projected area 0.021 (m ²)
---------------	------------------------------------------------

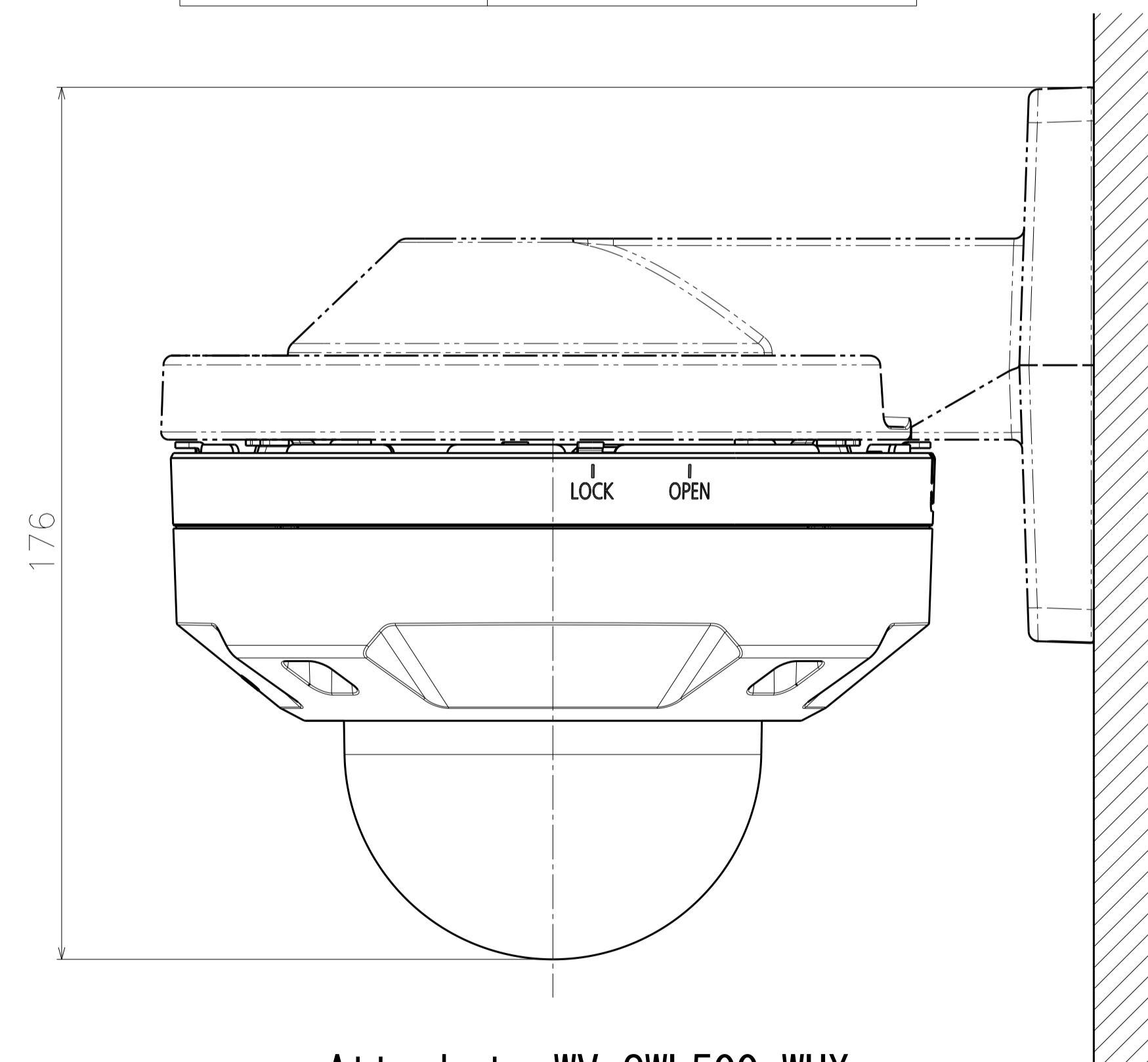


Attach to WV-Q105AUX



Attach to WV-QJB501-WUX & WV-QSR500-WUX

側面図/Side-view	投影面積/Projected area 0.021 (m ²)
---------------	------------------------------------------------



Attach to WV-QWL500-WUX

側面図/Side-view	投影面積/Projected area 0.019 (m ²)
---------------	------------------------------------------------

Model number	WV-S2536LNUX
	WV-S2536LTNUX