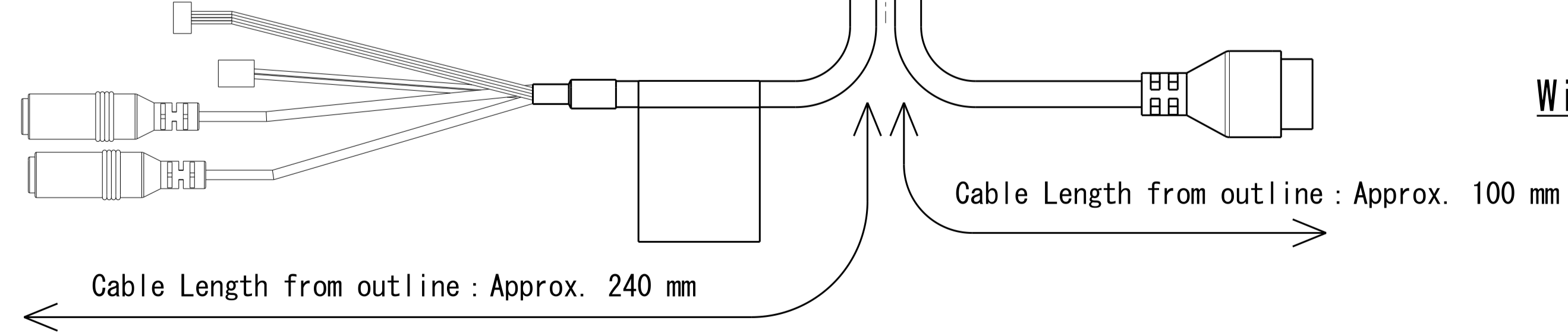
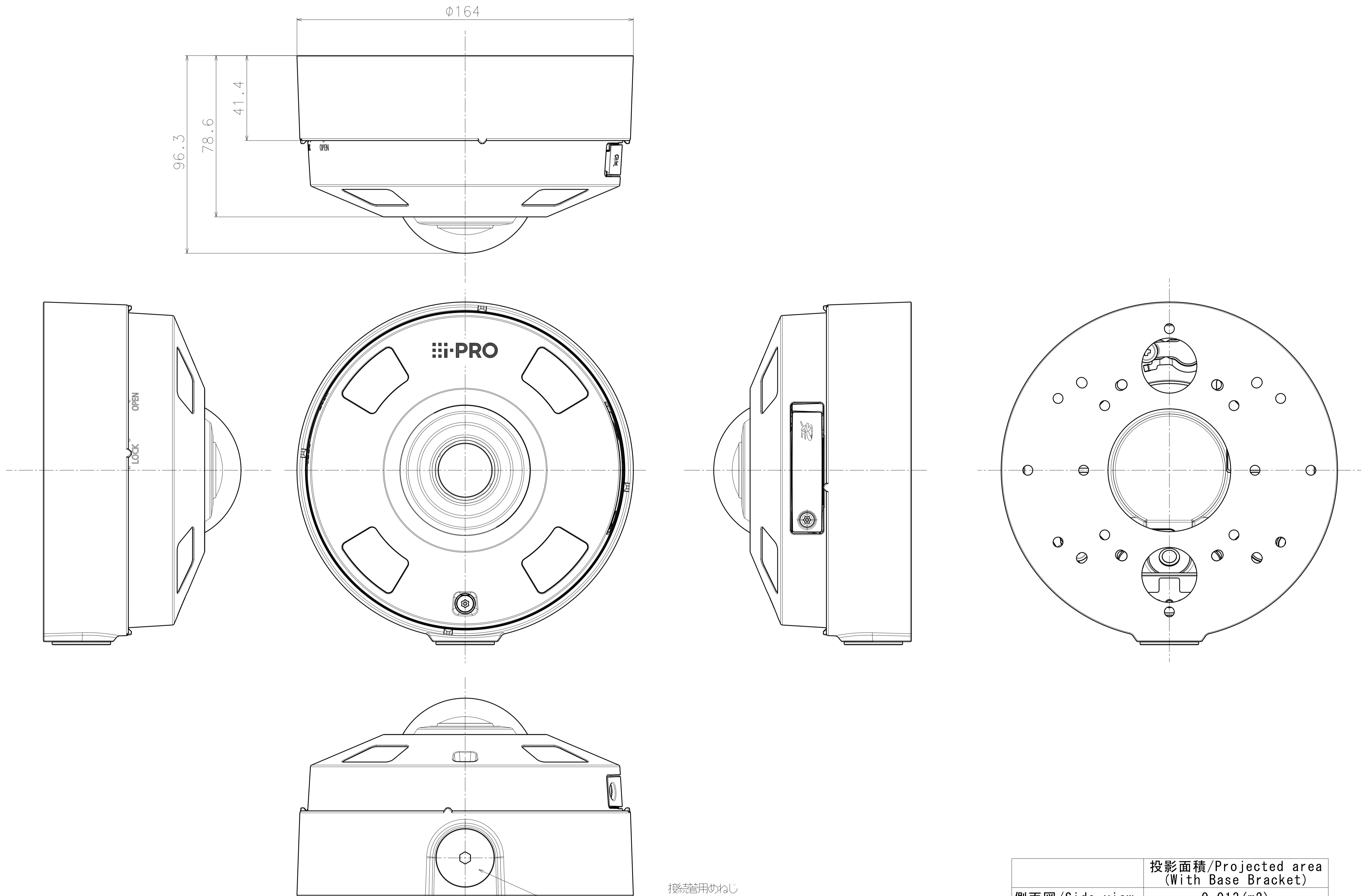


With Attachment Plate



Model number  
 WV-S4576LUX  
 Mass : Approx. 880 g {1.94 lbs} (When using the attachment plate)

	投影面積/Projected area
側面図/Side-view	0.007 (m <sup>2</sup> )



**With Base bracket**

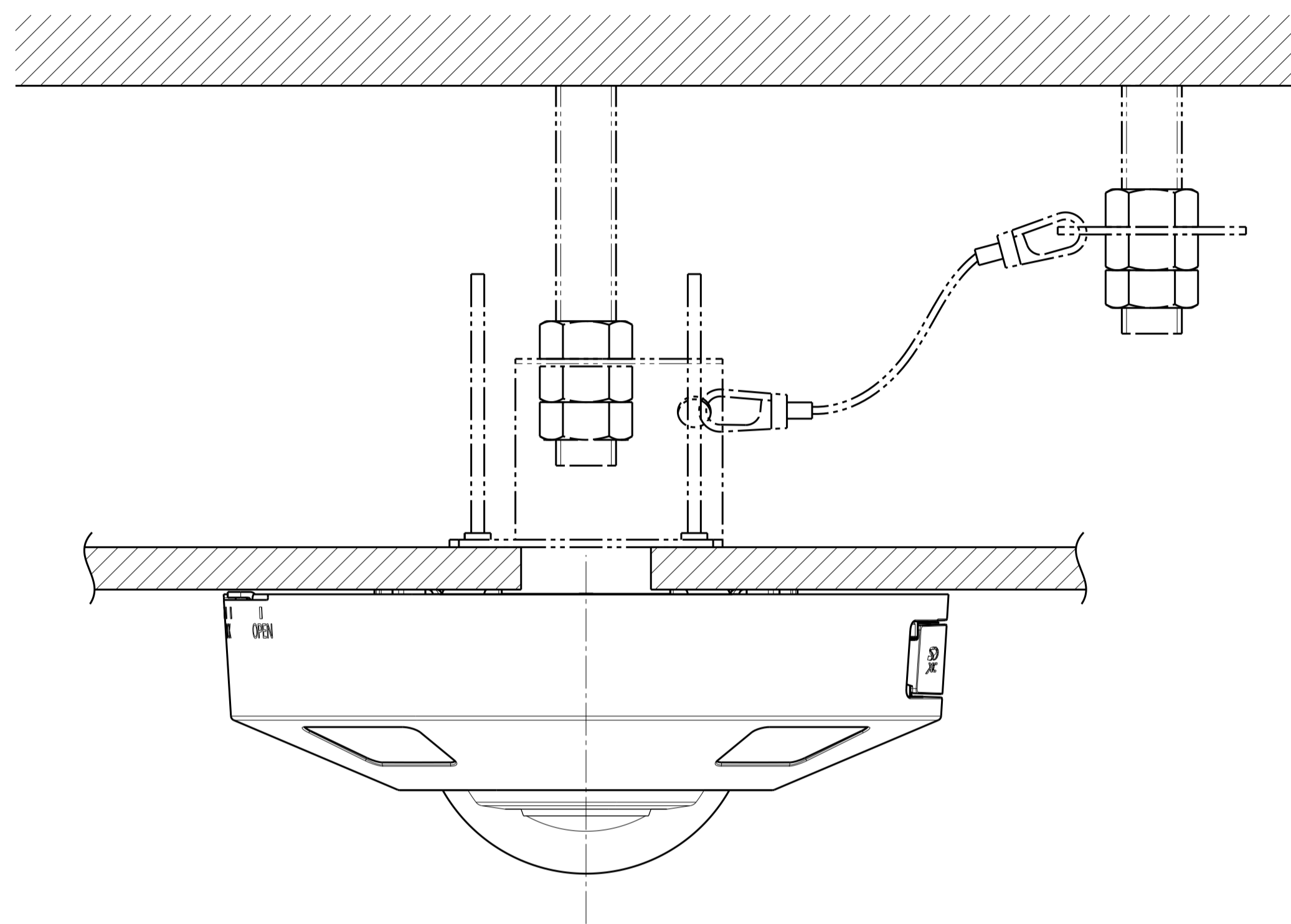
接続管用ねじ  
 CTG22 または G3/4  
 Female thread for conduit  
 NPSM3/4 or G3/4

	投影面積/Projected area (With Base Bracket)
側面図/Side-view	0.013(m2)

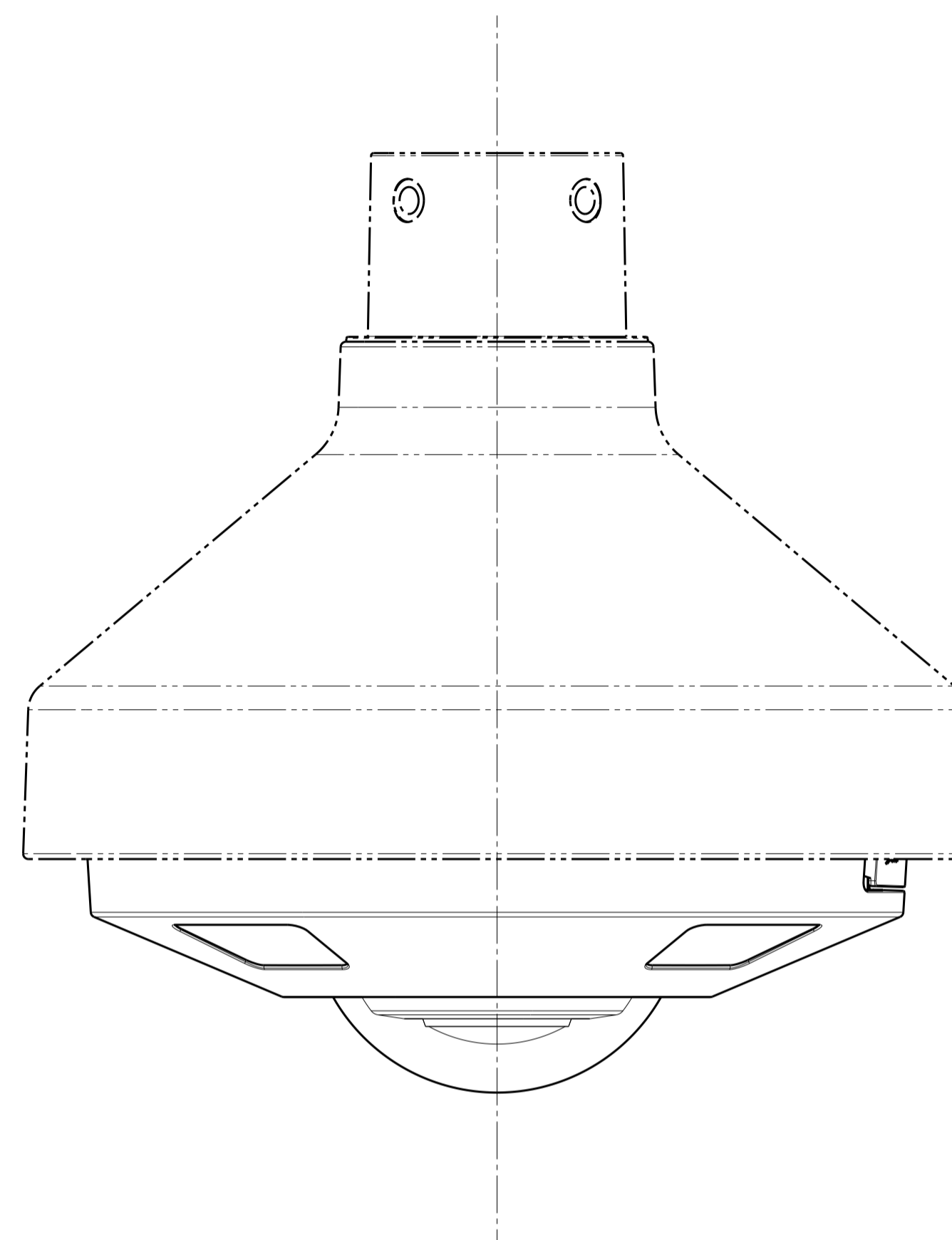
Mass : Approx. 1.3 kg {2.87 lbs} (When using the mounting base bracket)

Model number  
 WV-S4576LUX



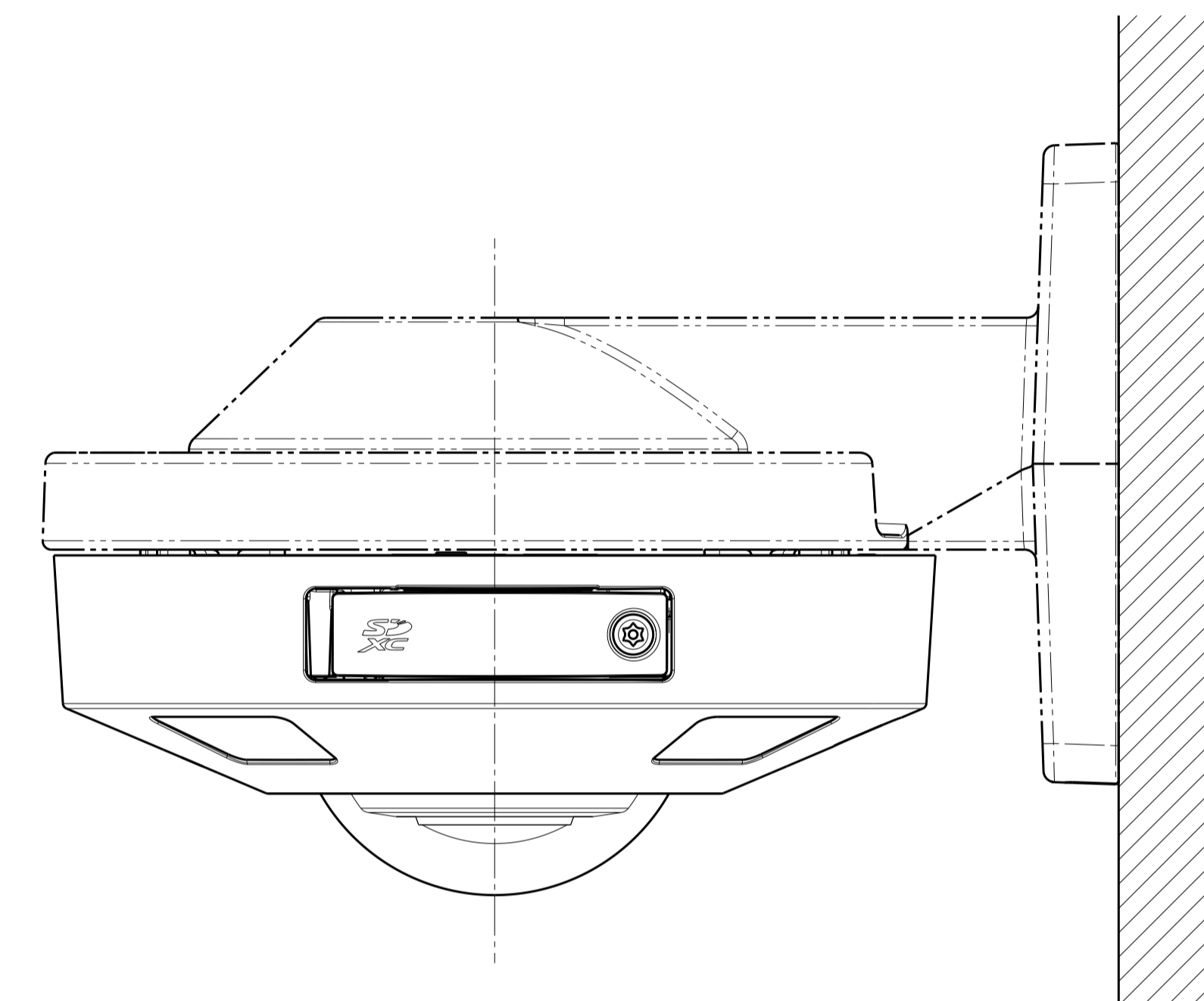


Attach to WV-Q105AUX



Attach to WV-QSR501-WUX

	投影面積/Projected area
側面図/Side-view	0.016 m <sup>2</sup>



Attach to WV-QWL500-WUX

	投影面積/Projected area
側面図/Side-view	0.014 m <sup>2</sup>

Model number  
WV-S4576LUX