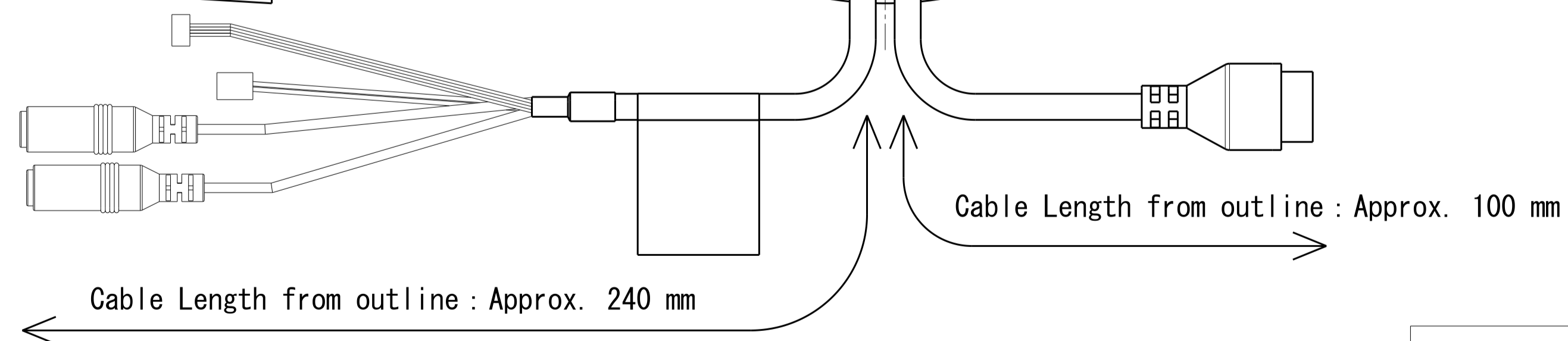


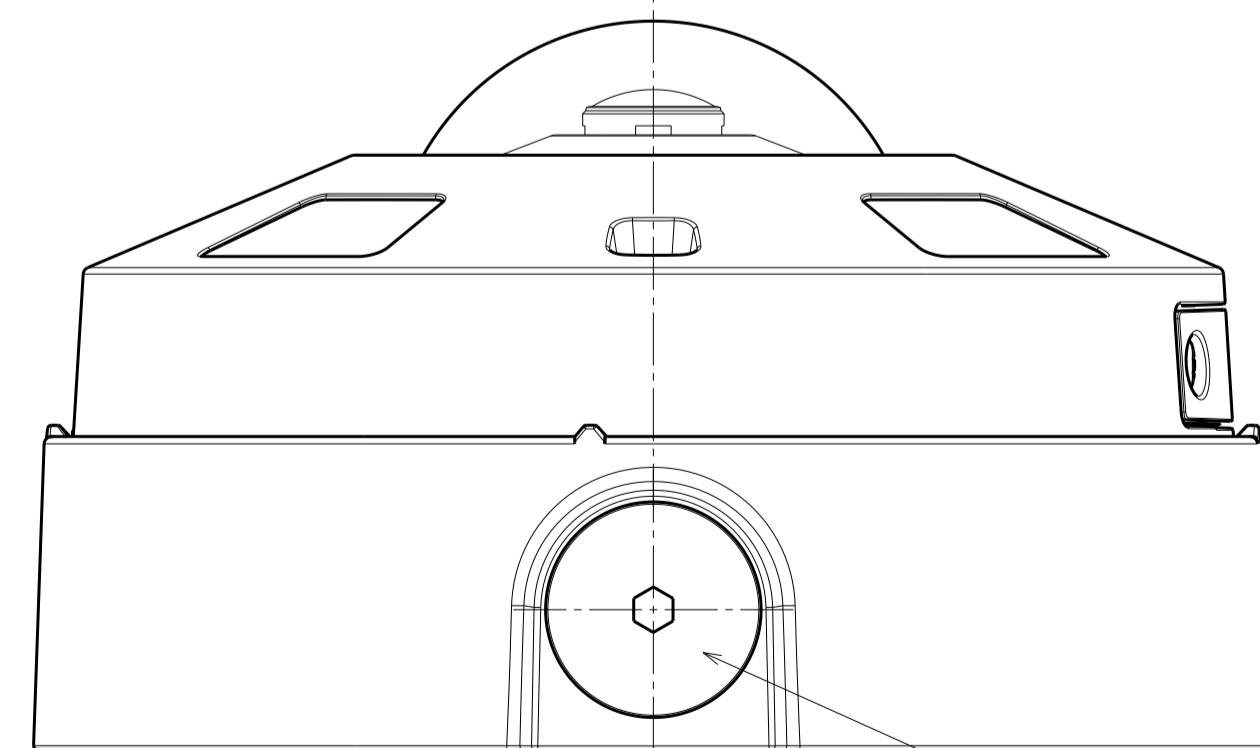
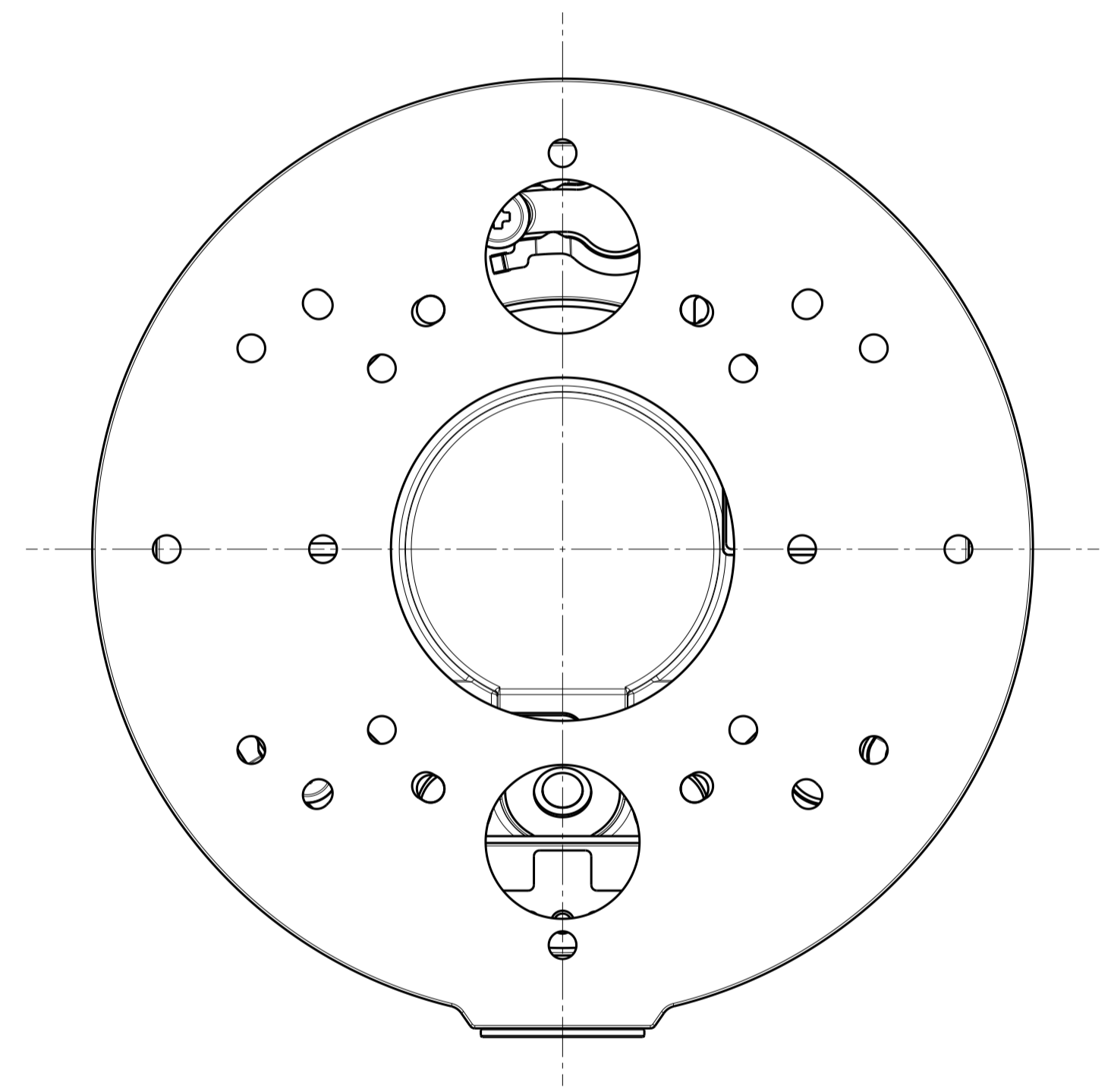
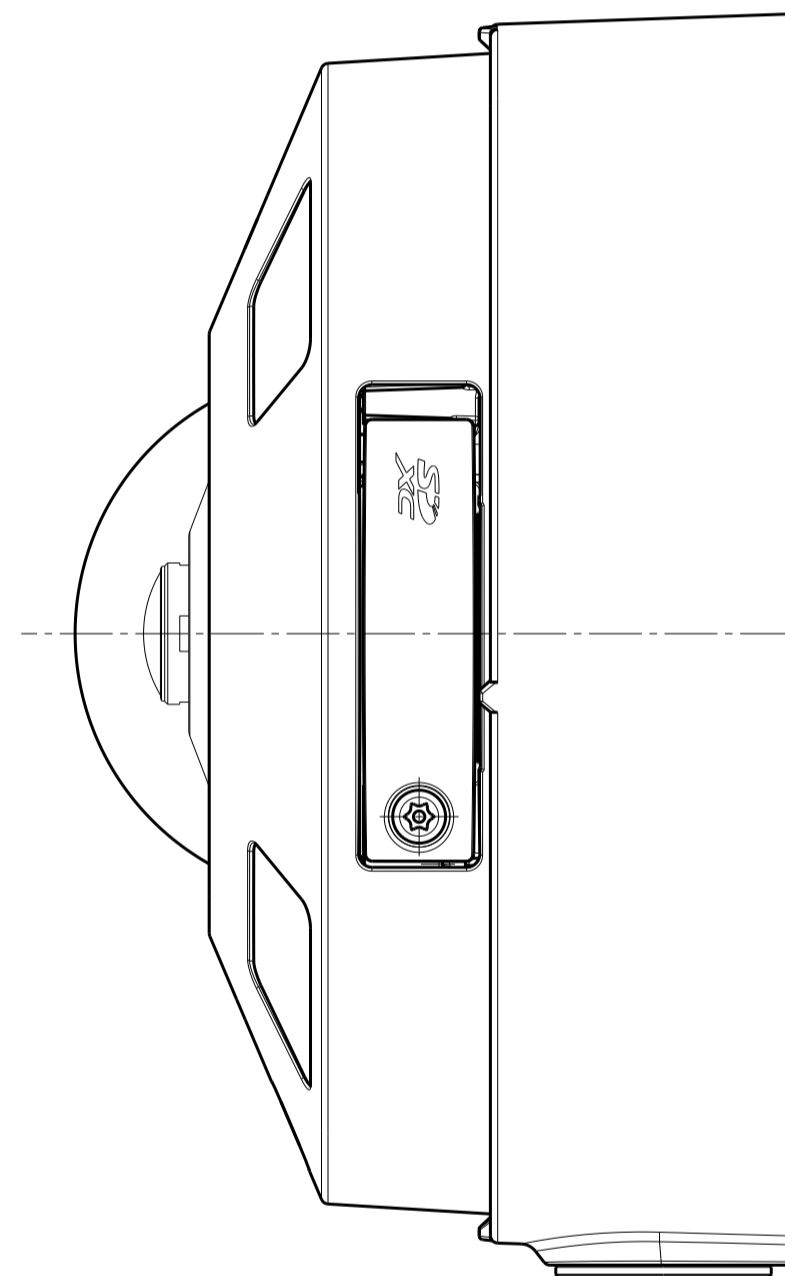
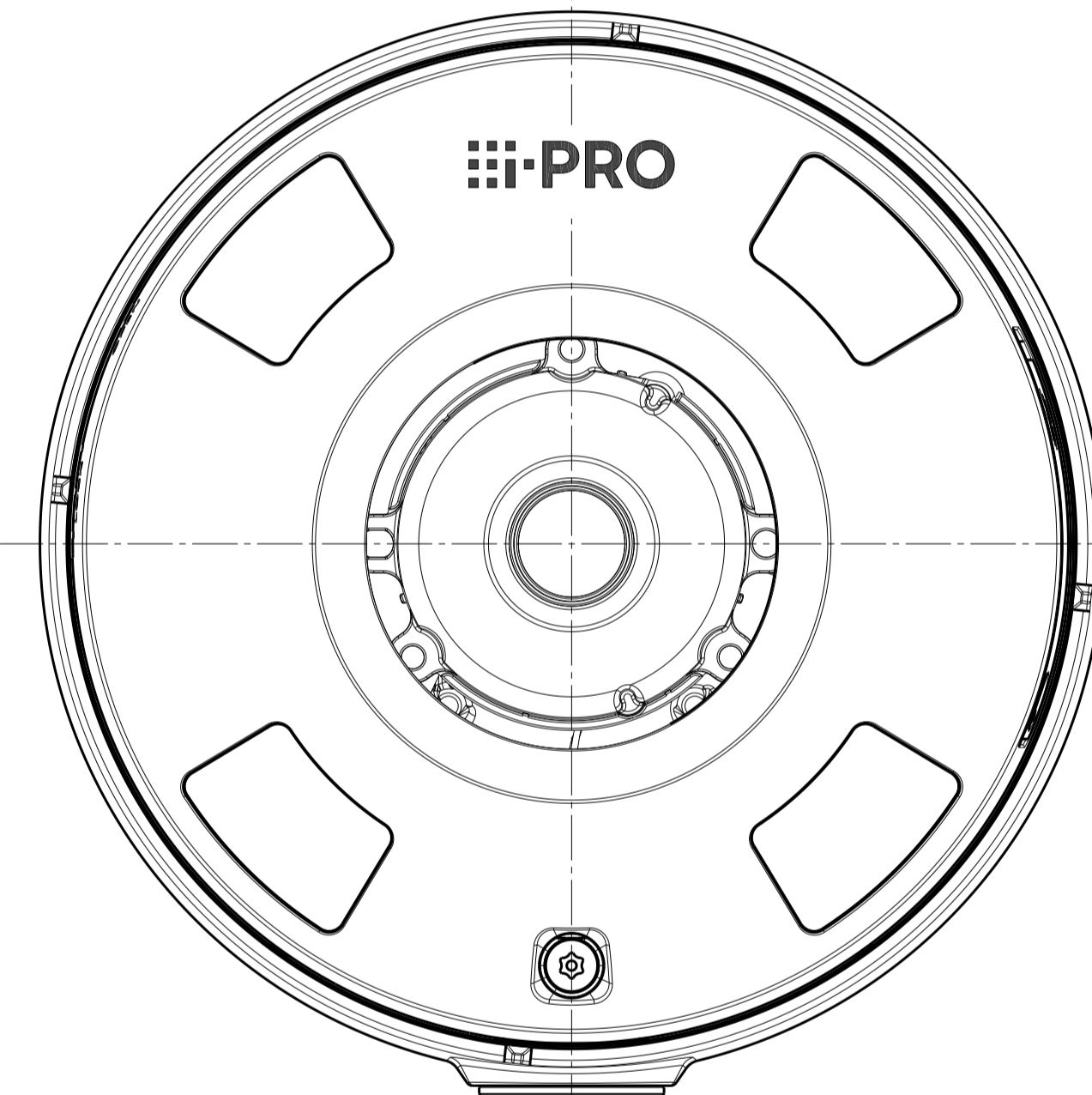
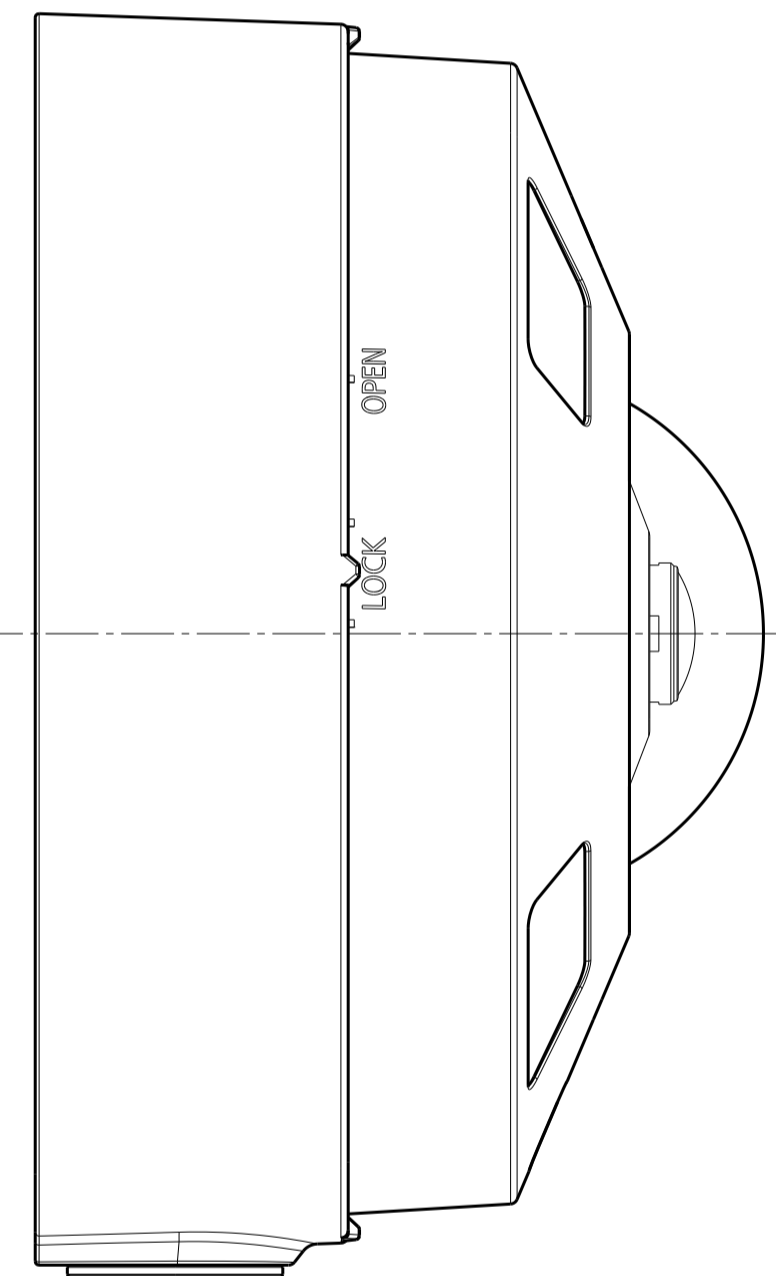
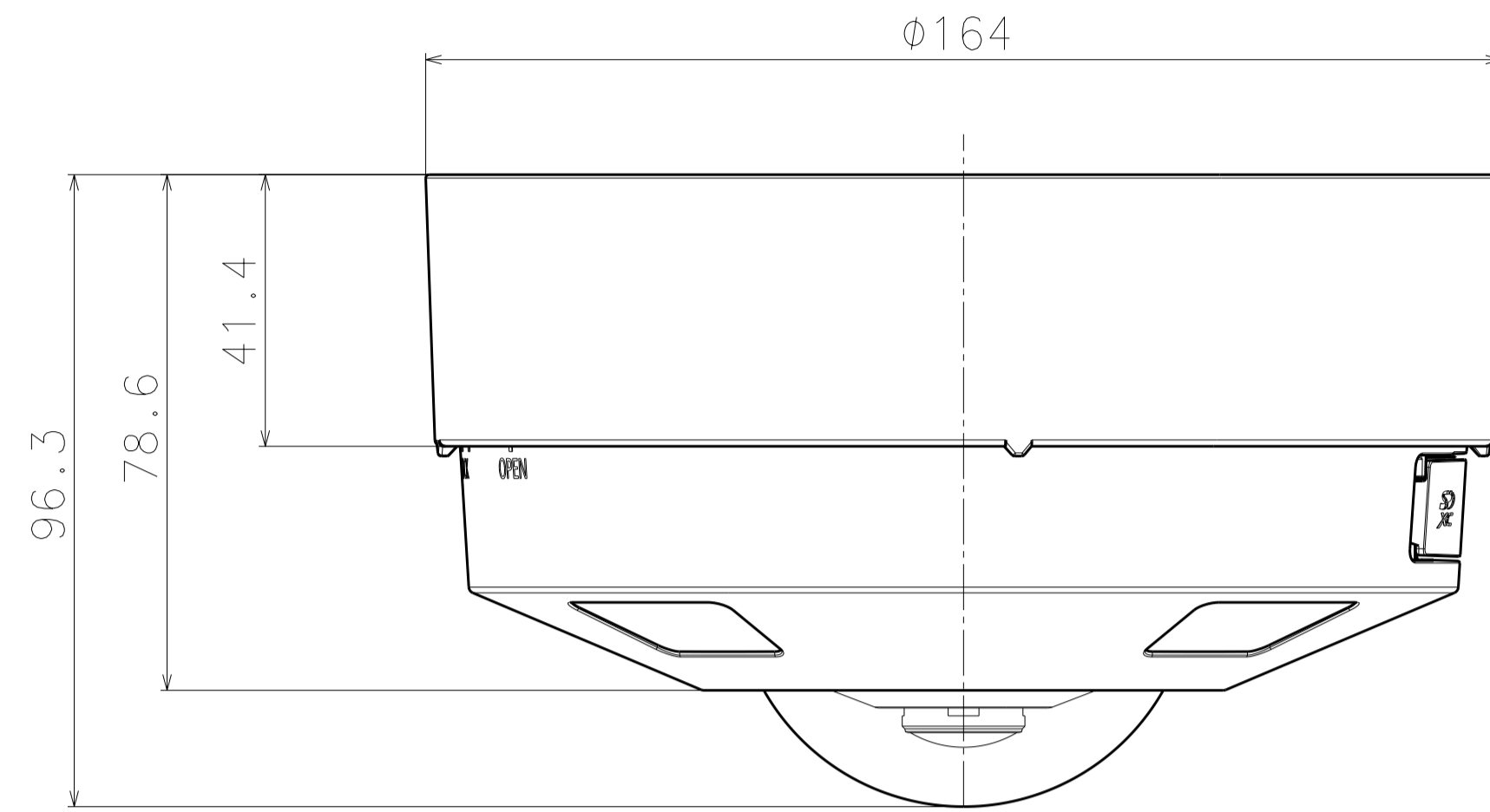
With Attachment Plate



	投影面積/Projected area
側面図/Side-view	0.007 (m ²)

Mass : Approx. 870 g {1.92 lbs} (When using the attachment plate)

Model number
WV-S4556LUX



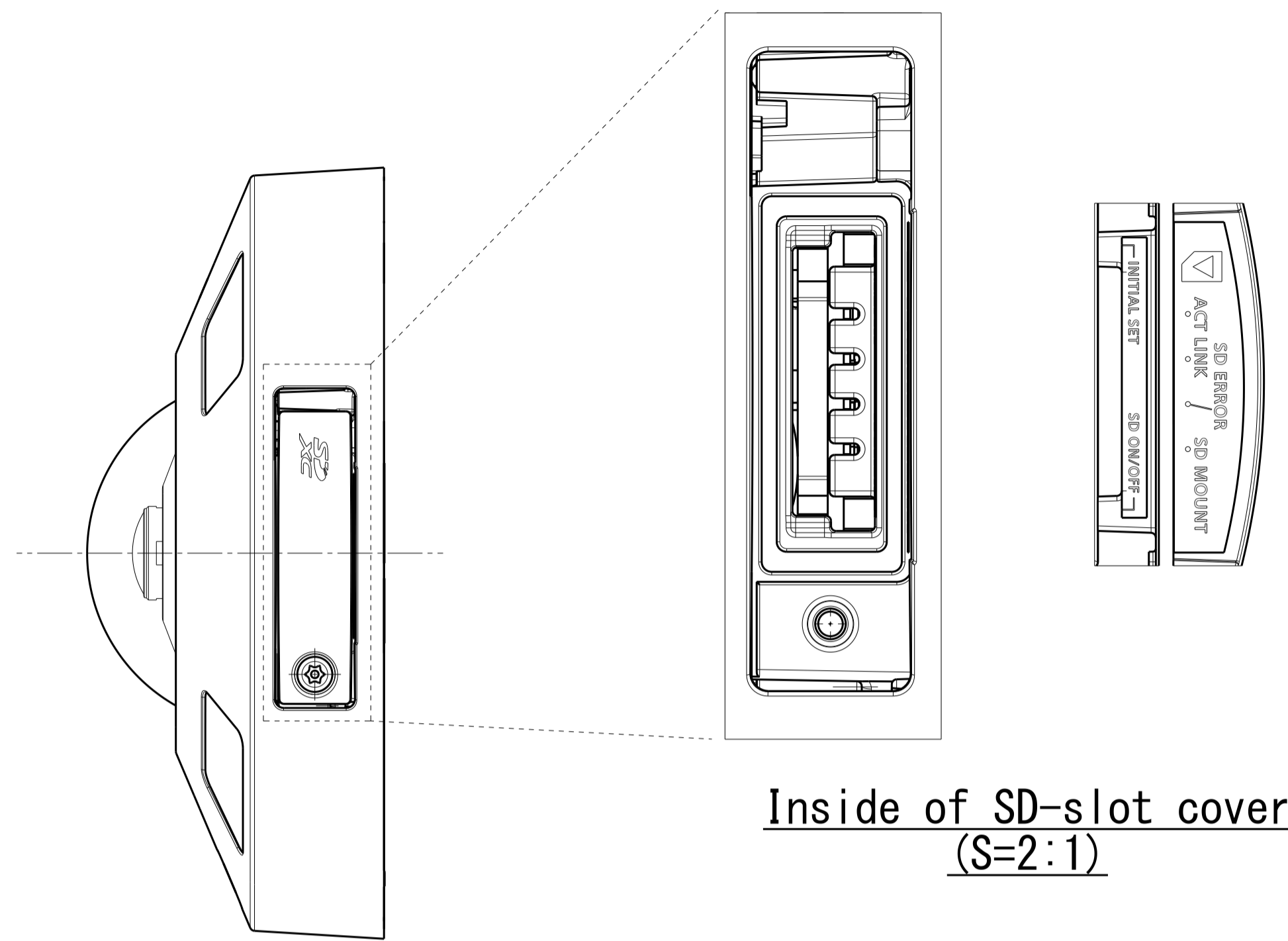
With Base bracket

接続管用ねじ
CTG22 または G3/4
Female thread for conduit
NPSM3/4 or G3/4

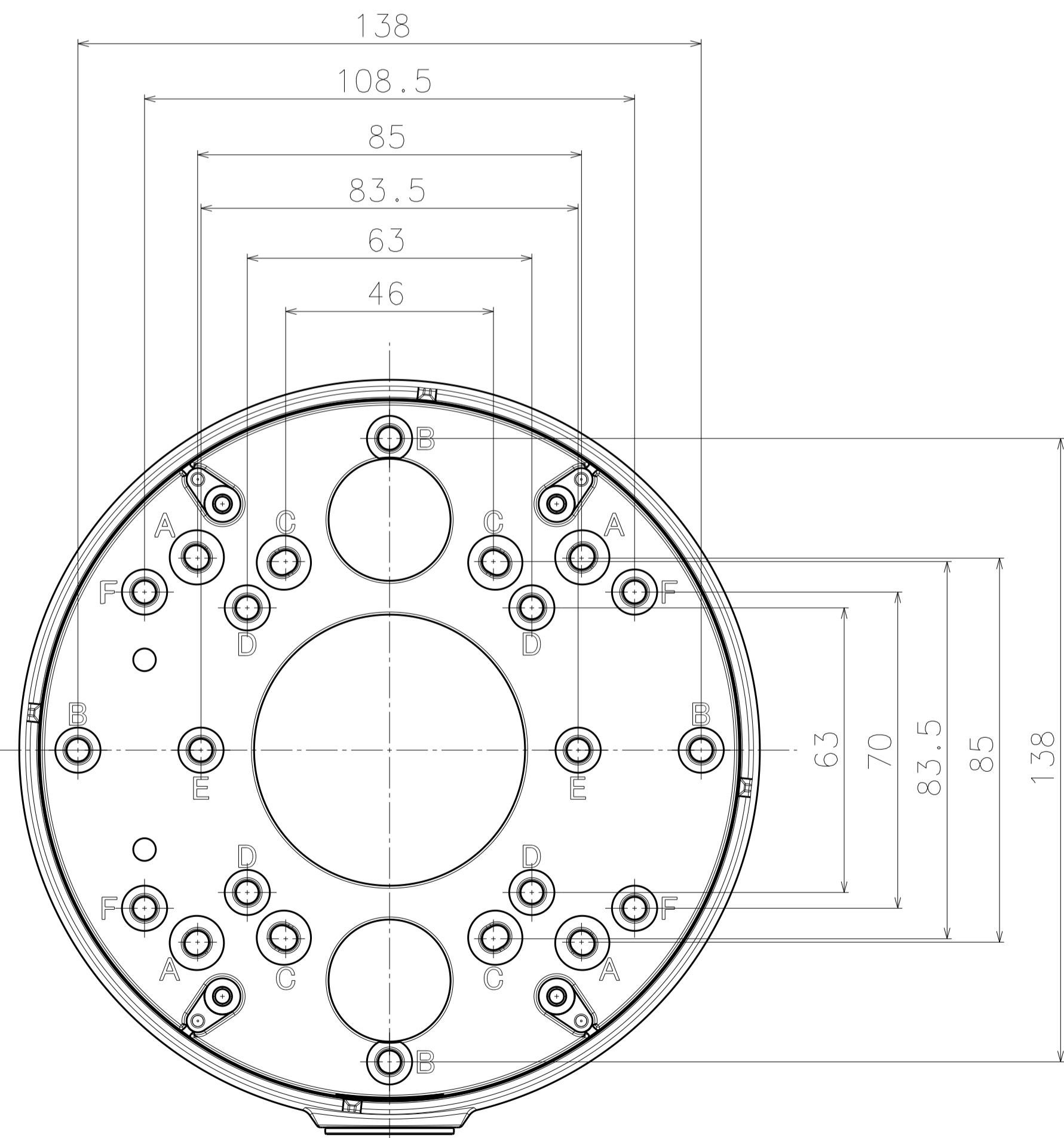
	投影面積/Projected area (With Base Bracket)
側面図/Side-view	0.013(m ²)

Mass : Approx. 1.3 kg {2.87 lbs} (When using the mounting base bracket)

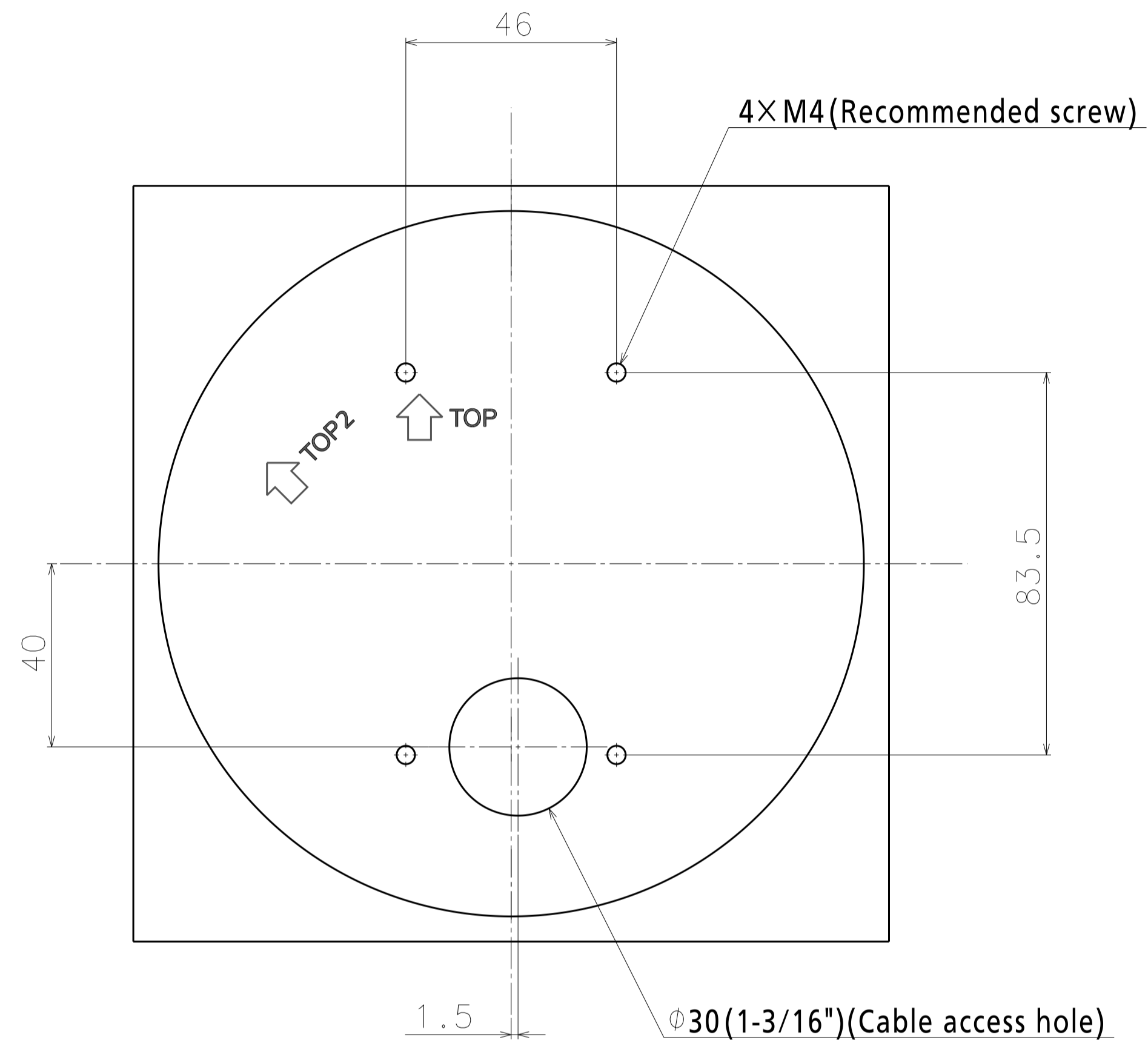
Model number
WV-S4556LUX



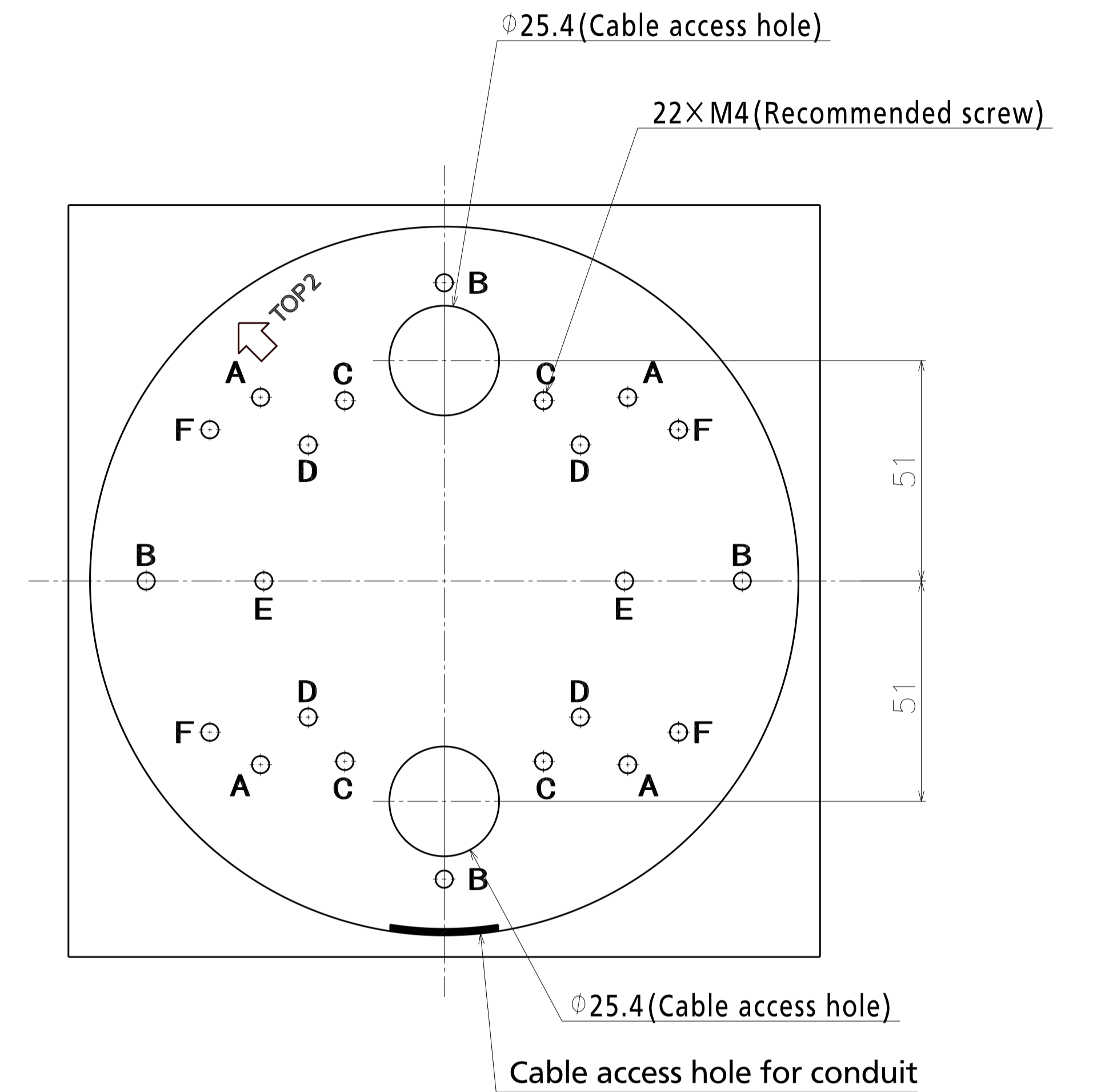
Inside of SD-slot cover
(S=2:1)



Mounting hole layout

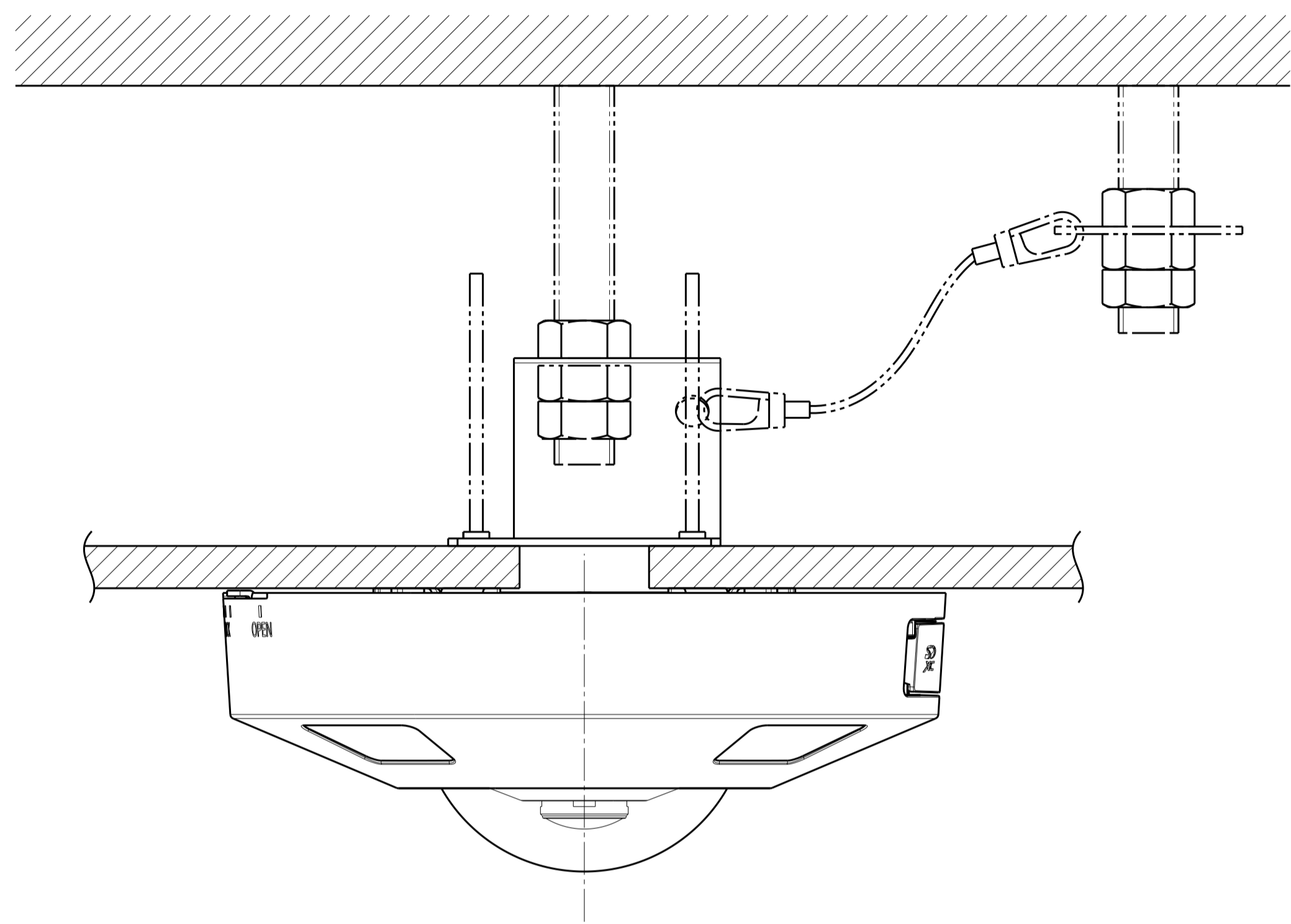


Template for mounting

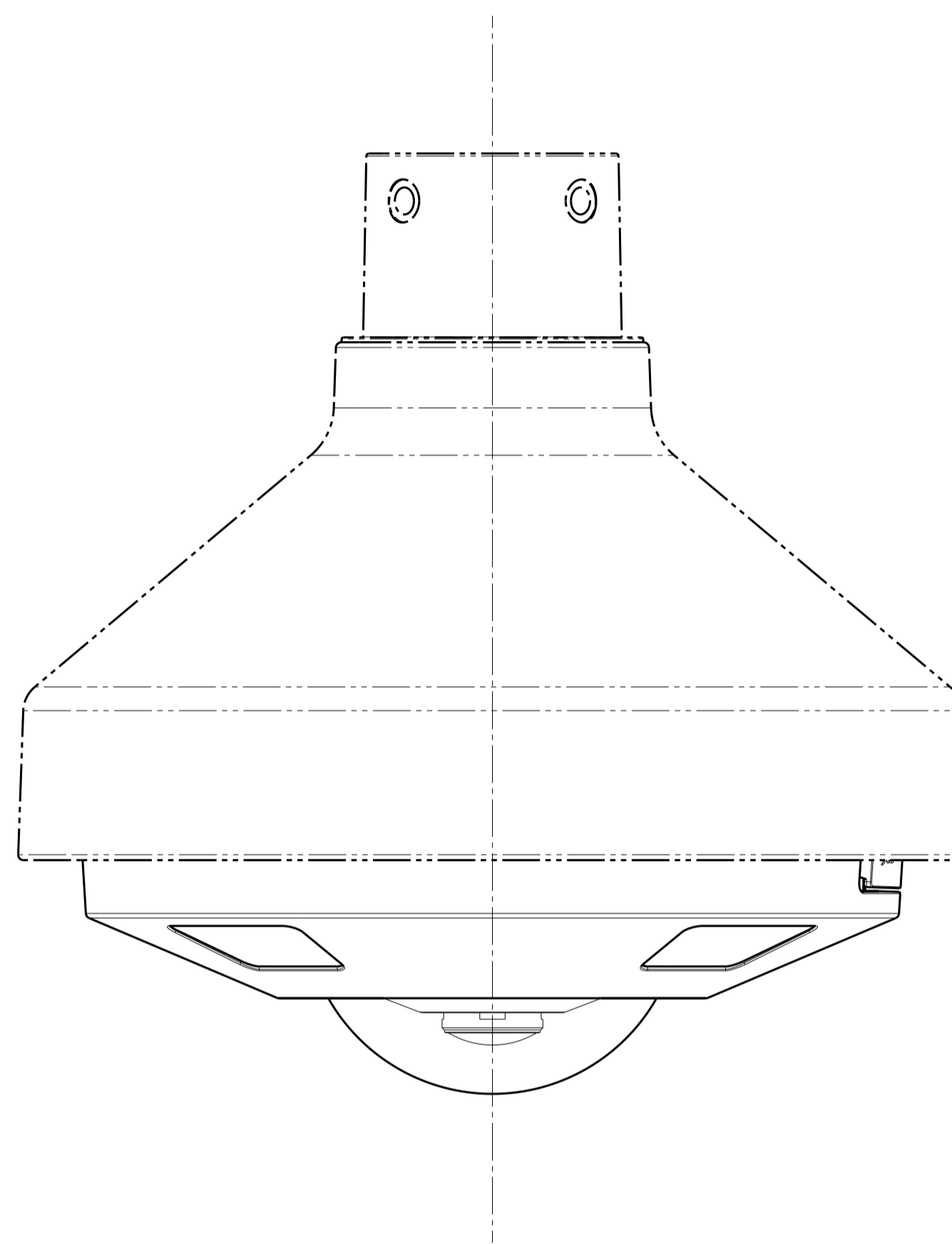


Mounting hole layout

Model number
WV-S4556LUX

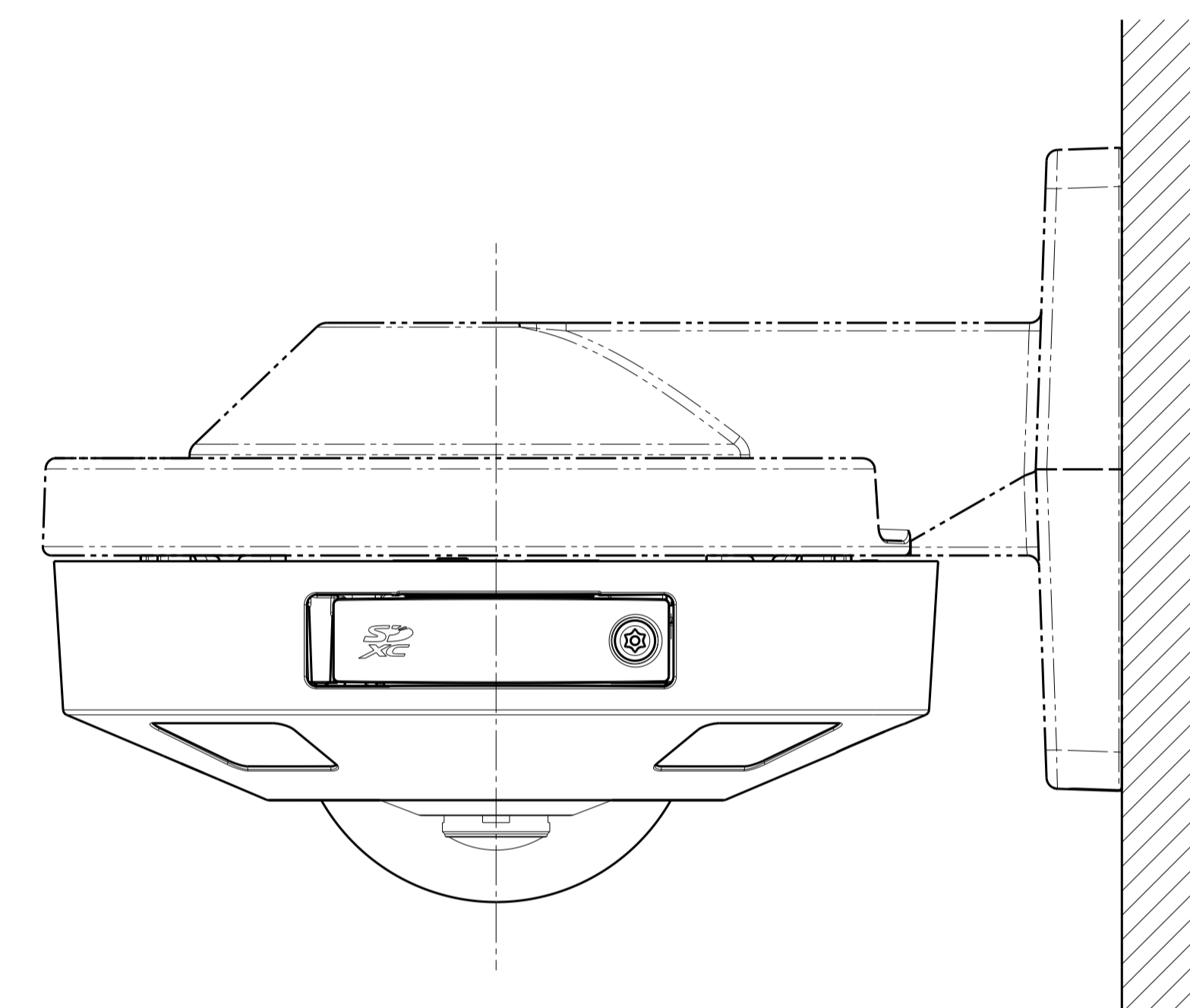


Attach to WV-Q105AUX



Attach to WV-QSR501-WUX

	投影面積/Projected area
側面図/Side-view	0.016 m ²



Attach to WV-QWL500-WUX

	投影面積/Projected area
側面図/Side-view	0.014 m ²

Model number
WV-S4556LUX