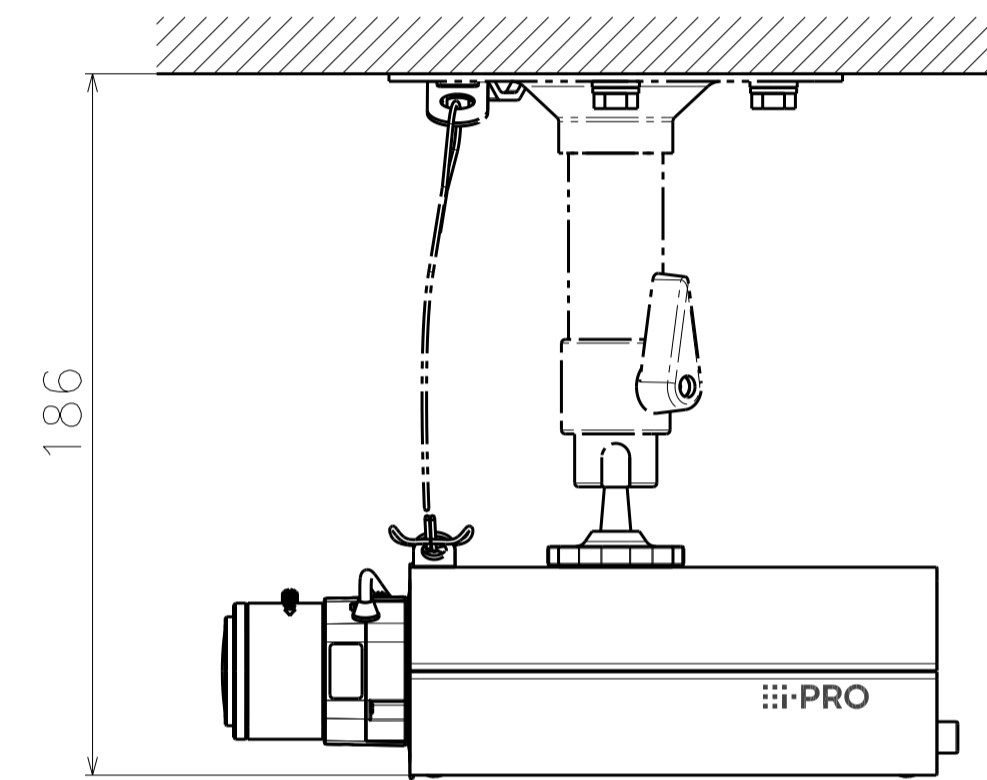
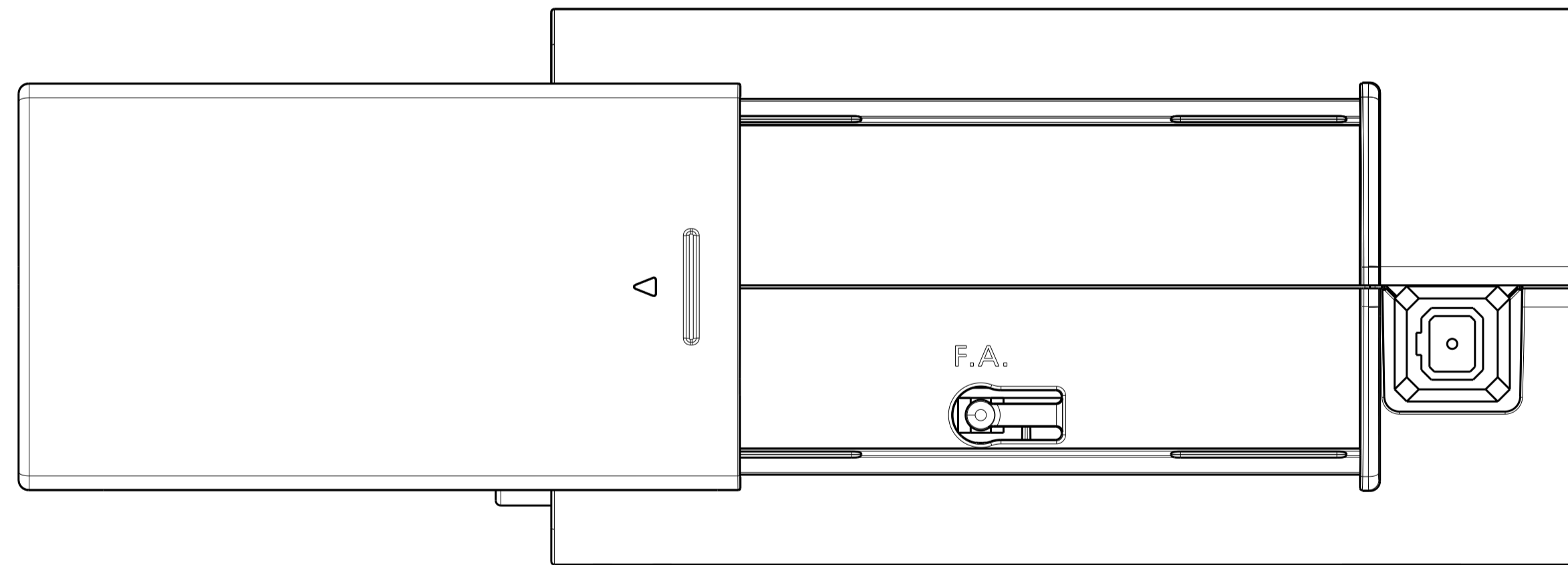
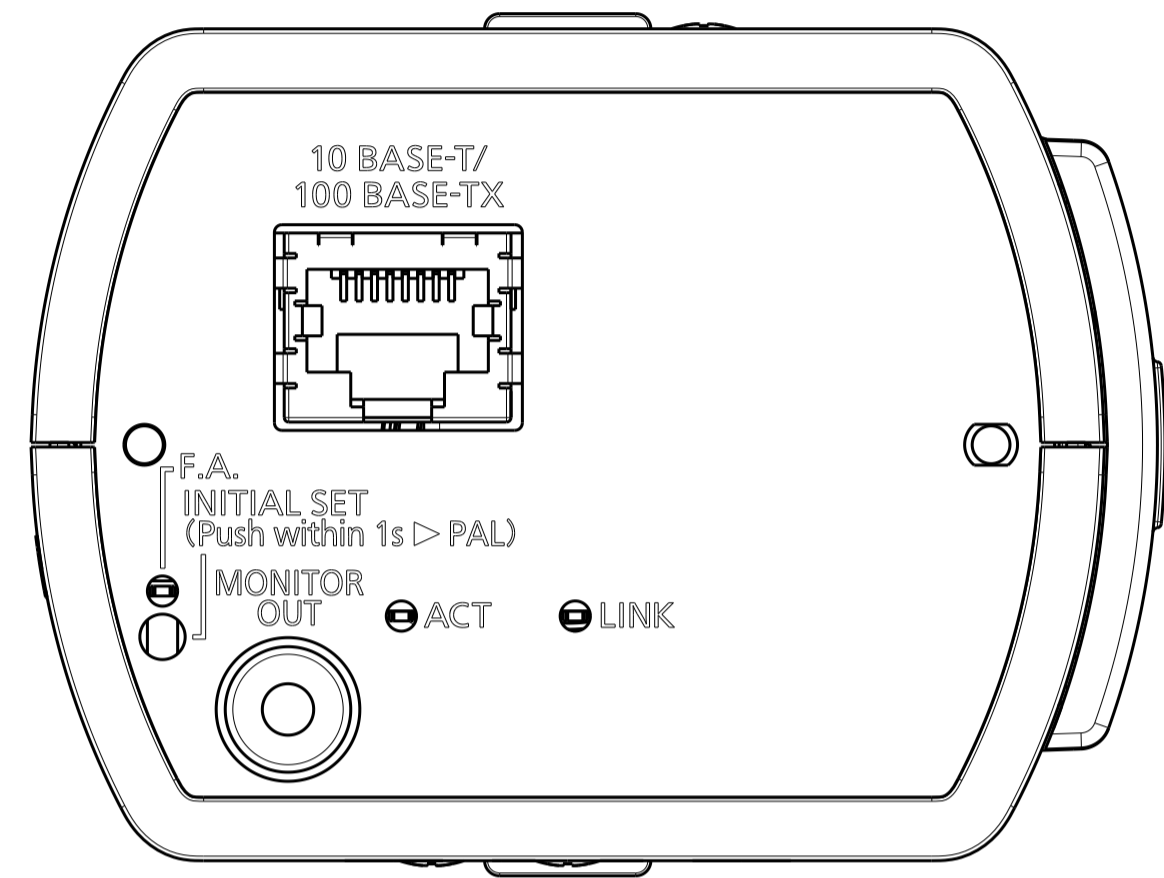
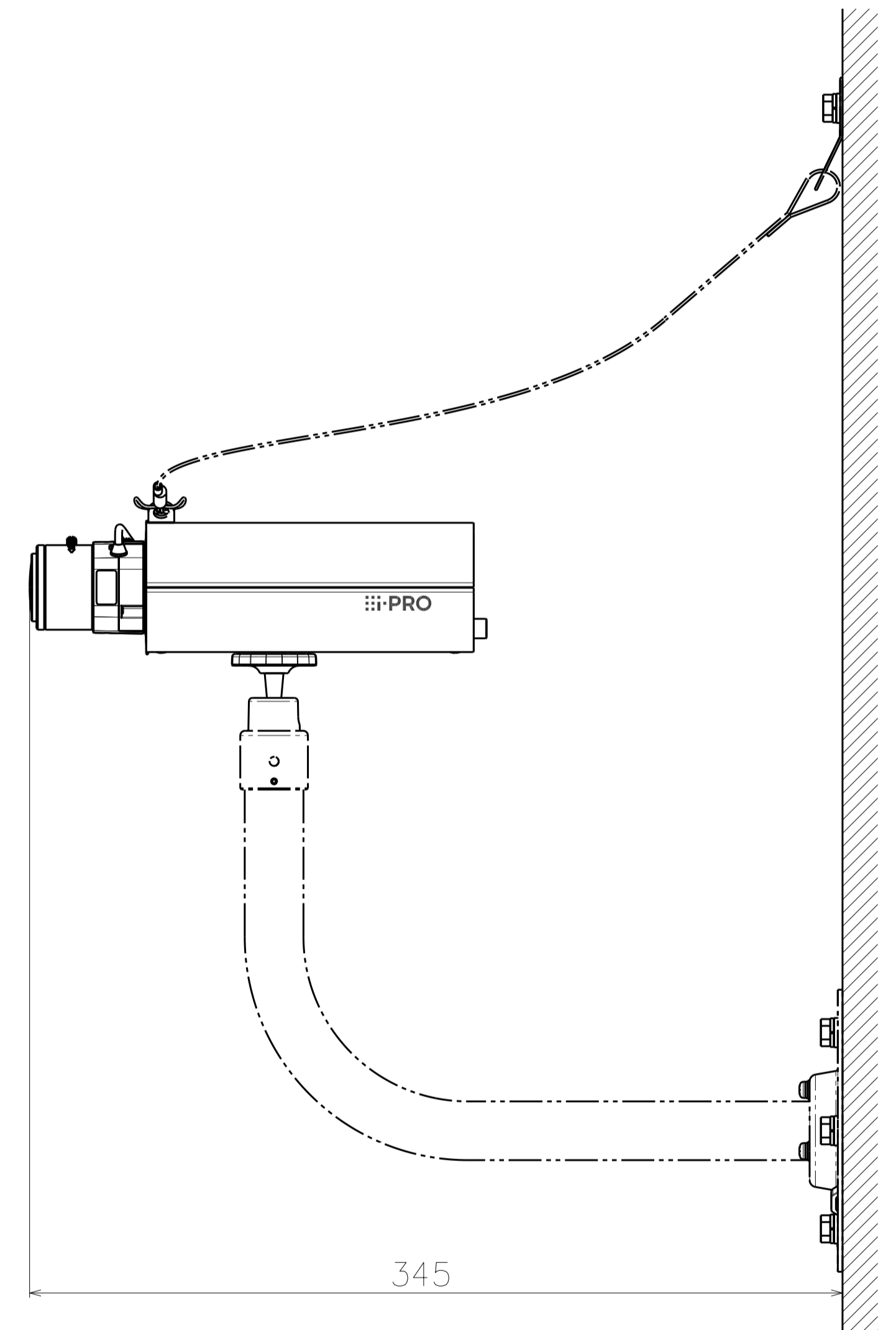


Model number
 WV-S1130VRJUX

Mass : Approx. 390 g {0.86 lbs}



Attach to WV-Q180UX
(S=1:2)



Attach to WV-Q181UX
(S=1:2)