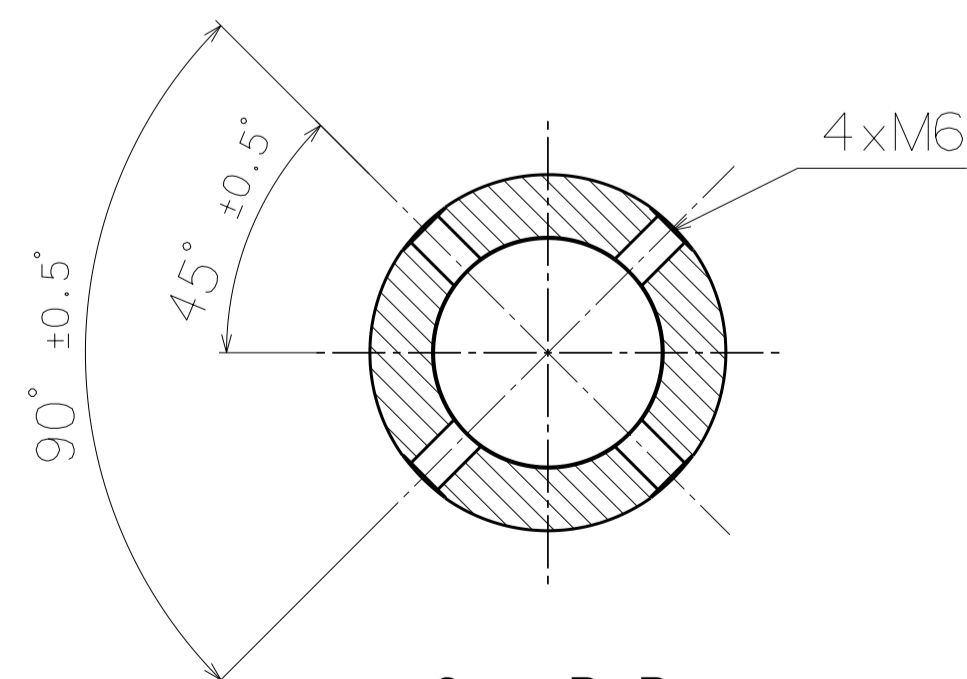
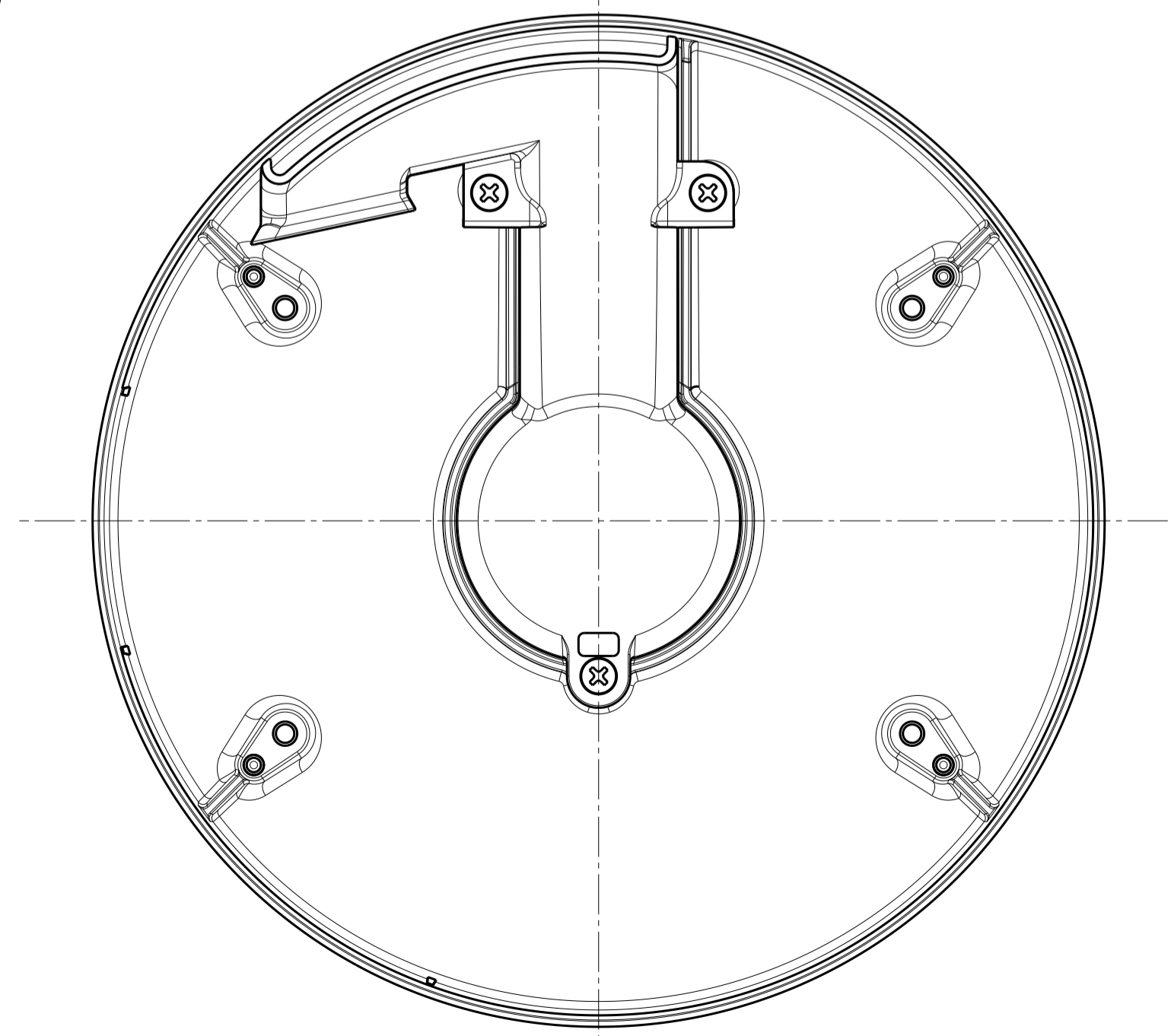


カメラ及びベースガイドプレート取付基準  
Camera and base guide plate mounting standards



Sec B-B



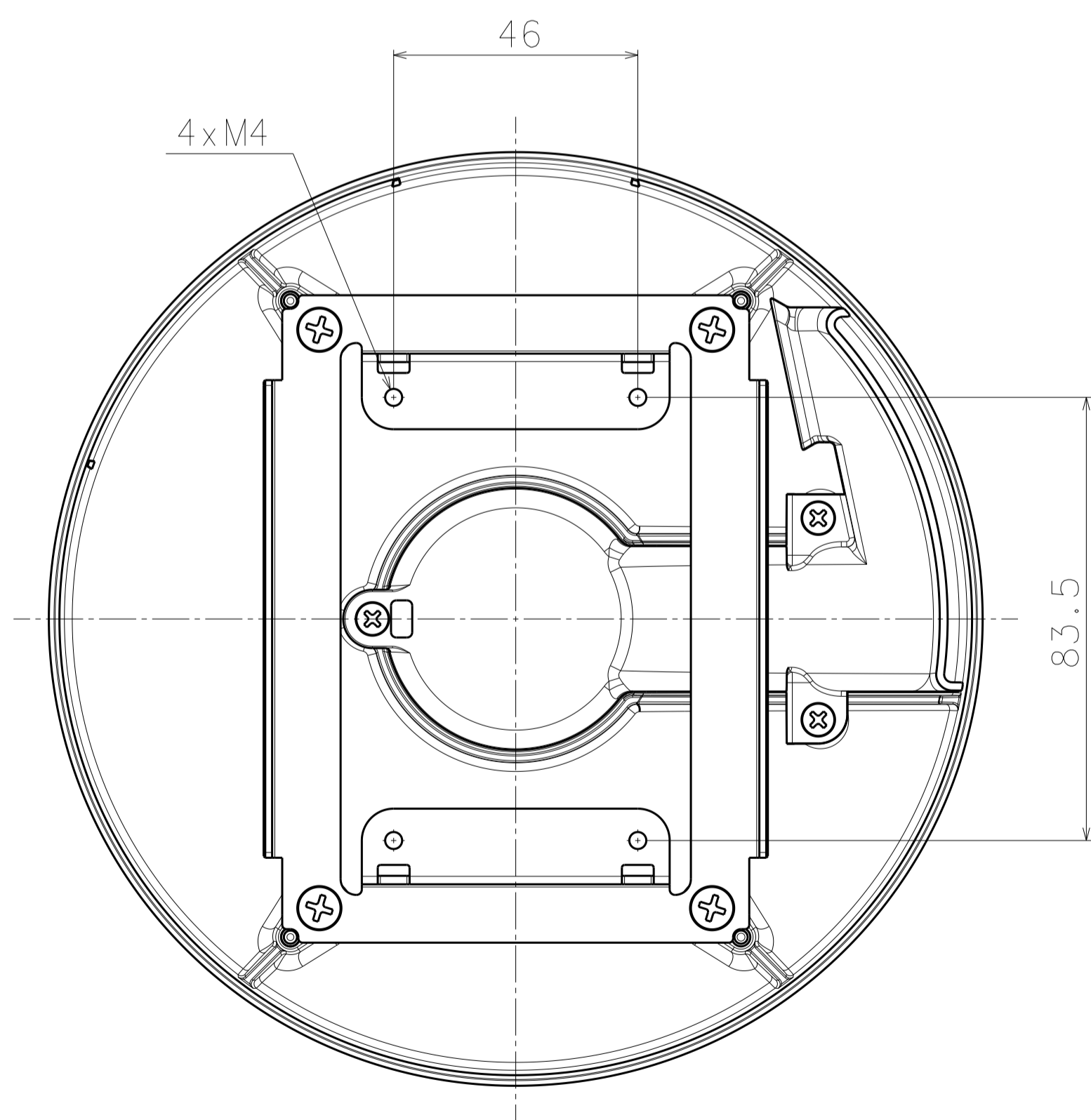
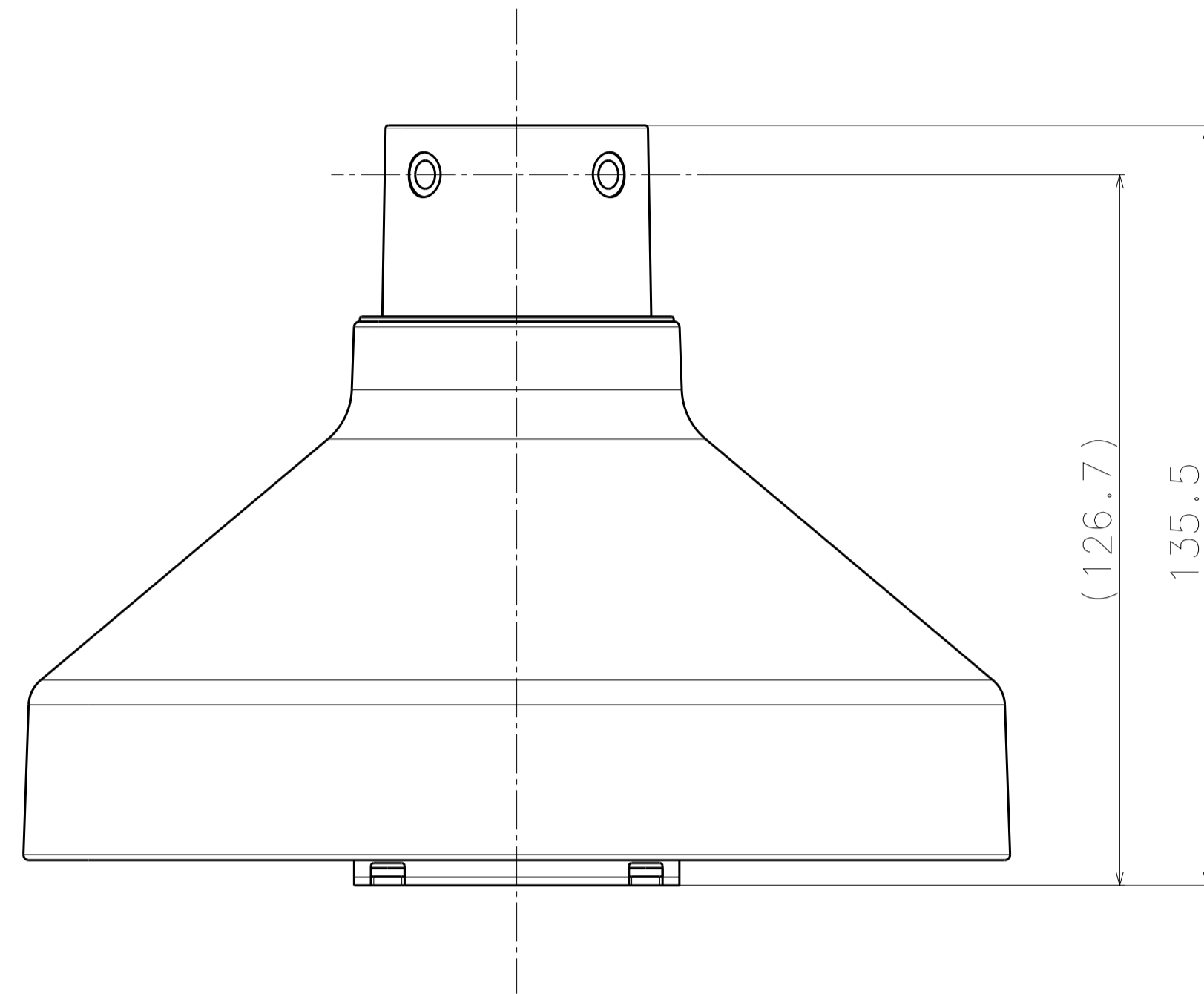
Sec A-A

側面図/Side-view (嵌合部除く) (Excluding the mating part)	投影面積/Projected area 0.012 m <sup>2</sup>
---	---

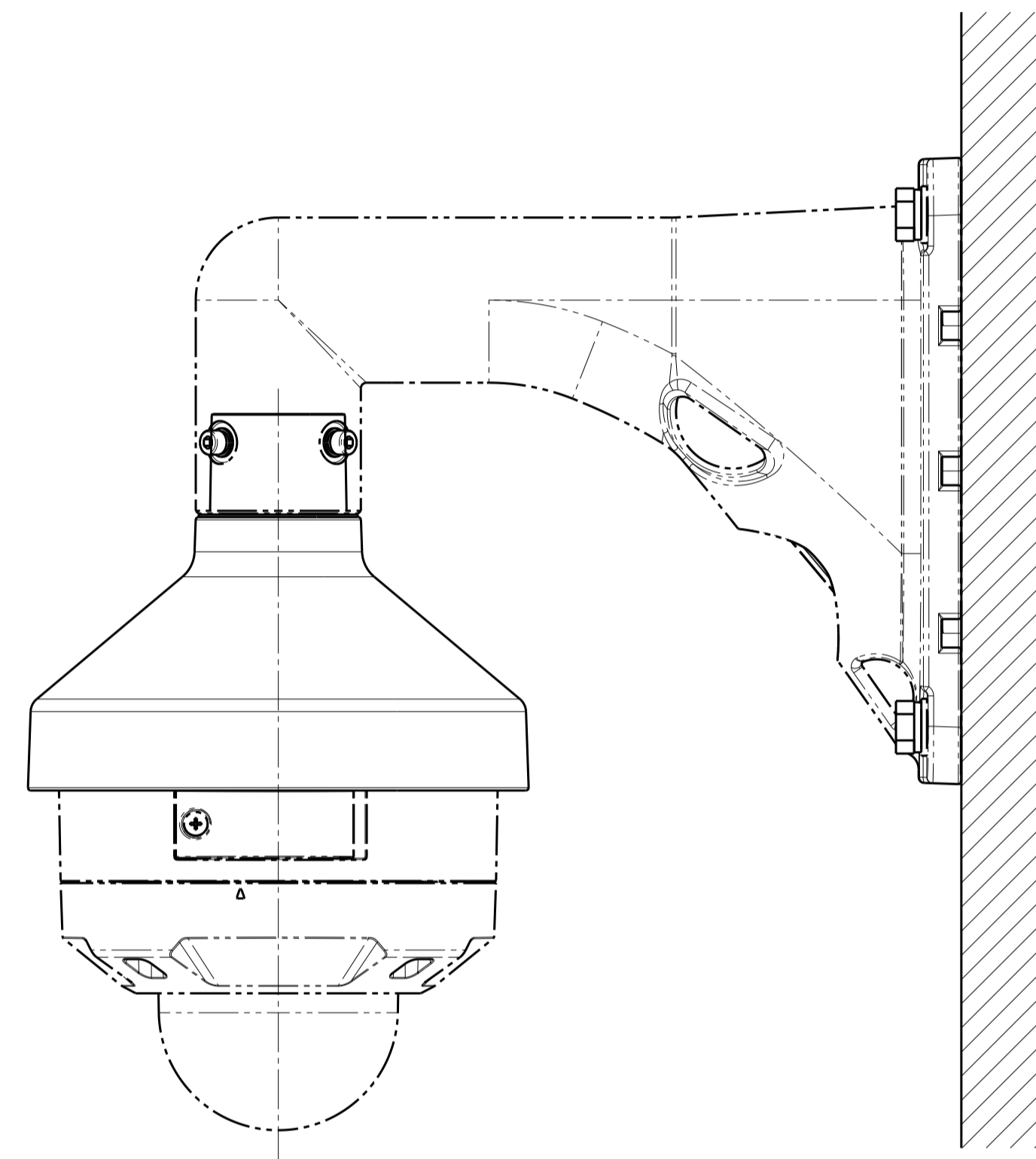
Mass : Approx. 480 g {1.06 lbs} (Main body)  
Approx. 140 g {0.31 lbs} (Base guide plate and others)

WV-QSR501-WUX

カメラとの組み合わせ例  
Example of combination with a camera

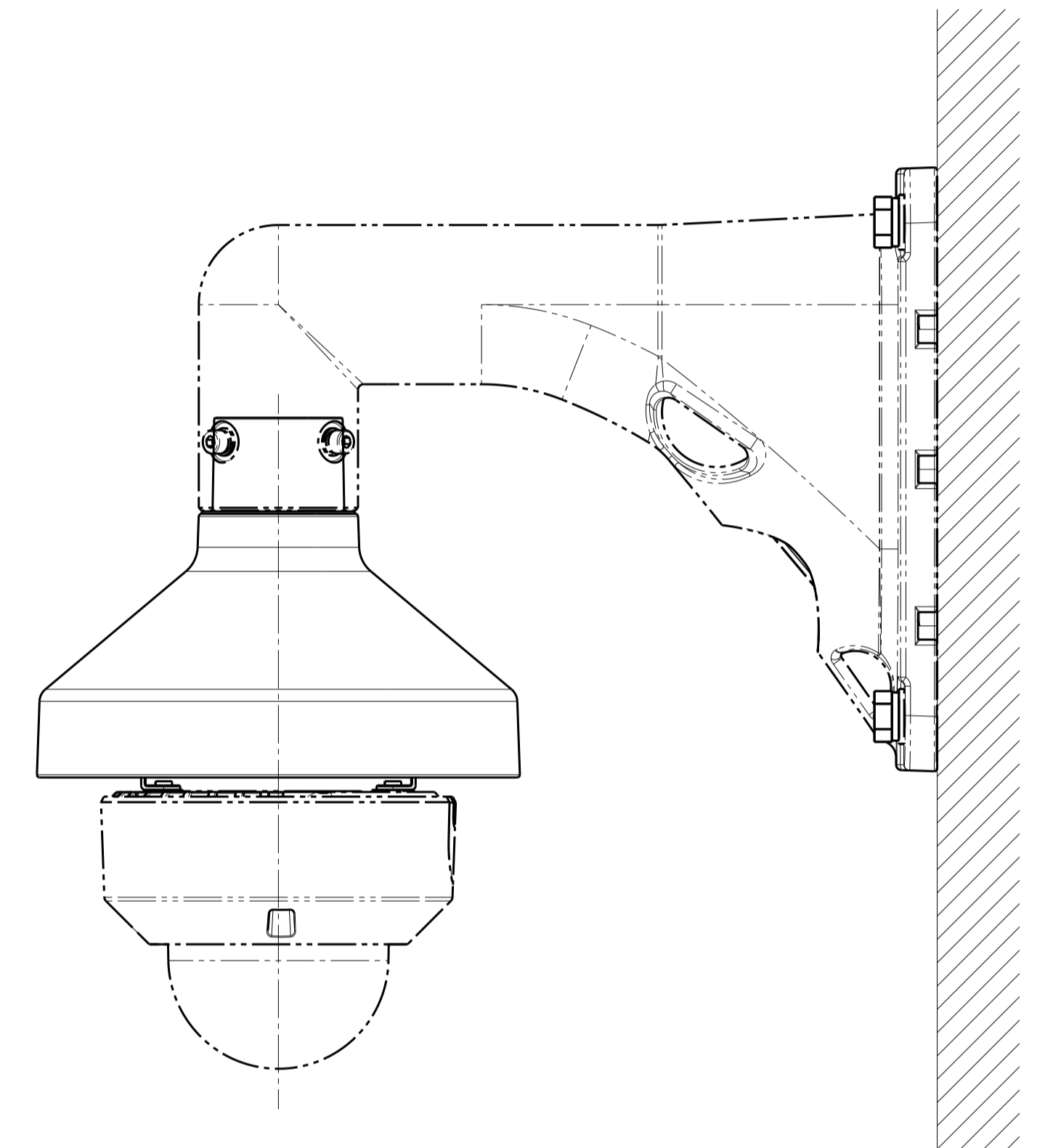


Attach to Base guide plate



Attach to WV-U65300\*\* & WV-QWL501\*\* (S=1:2)

	投影面積/Projected area
側面図/Side-view	0.053 (m <sup>2</sup> )
平面図/TOP-view	0.034 (m <sup>2</sup> )



Attach to WV-S2135\*\* & WV-QWL501\*\* (S=1:2)