

Sec A-A

Sec B-B

投続管用めねじ  
 Cap for the female thread for the conduit  
 JIS C 8305 (電線管めねじ) の CTG22, または  
 JIS B 0202 (管用平行めねじ) の G3/4 に対応しています。  
 The female thread for conduit is compliant with  
 ANSI NPSM (parallel pipe threads) 3/4 or  
 ISO 228-1 (parallel pipe threads) G3/4.

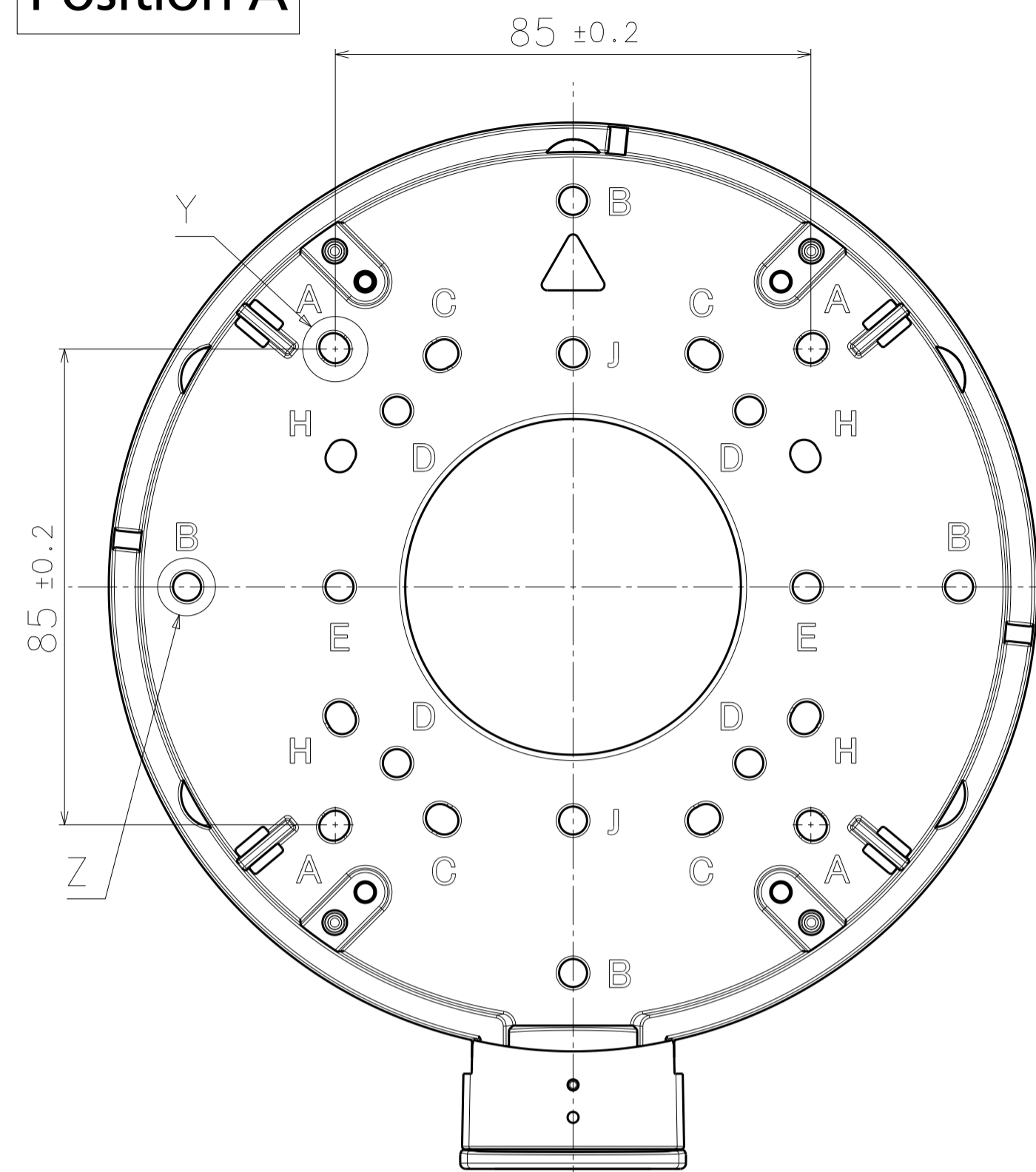
**Model number**  
**WV-QJB504-W**

|                 | 投影面積/Projected area     |
|-----------------|-------------------------|
| 下面図/Bottom-view | 0.005 (m <sup>2</sup> ) |
| 側面図/Side-view   | 0.005 (m <sup>2</sup> ) |

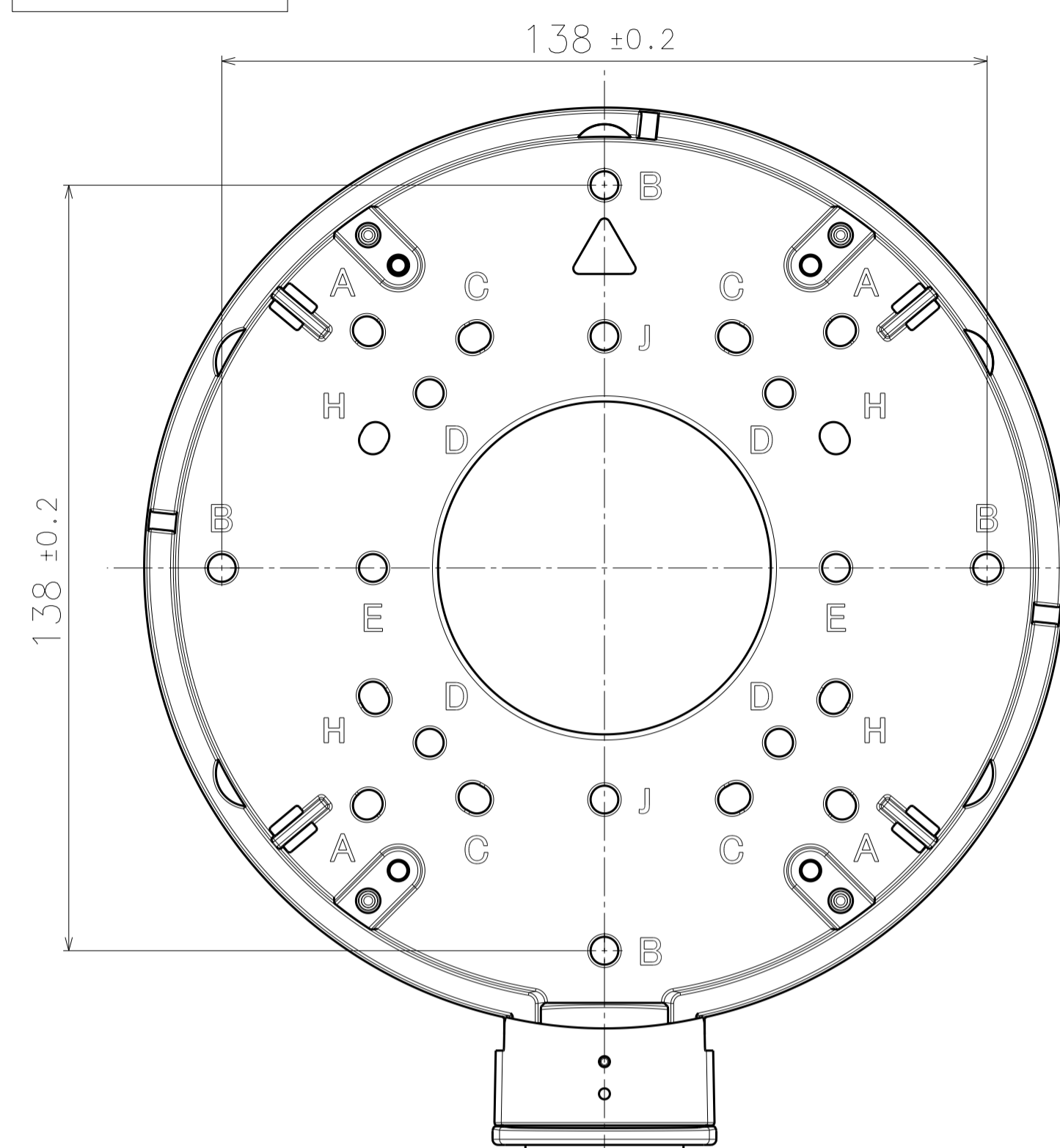
Mass : Approx. 335 g {0.74 lbs}

# Mounting hole layout

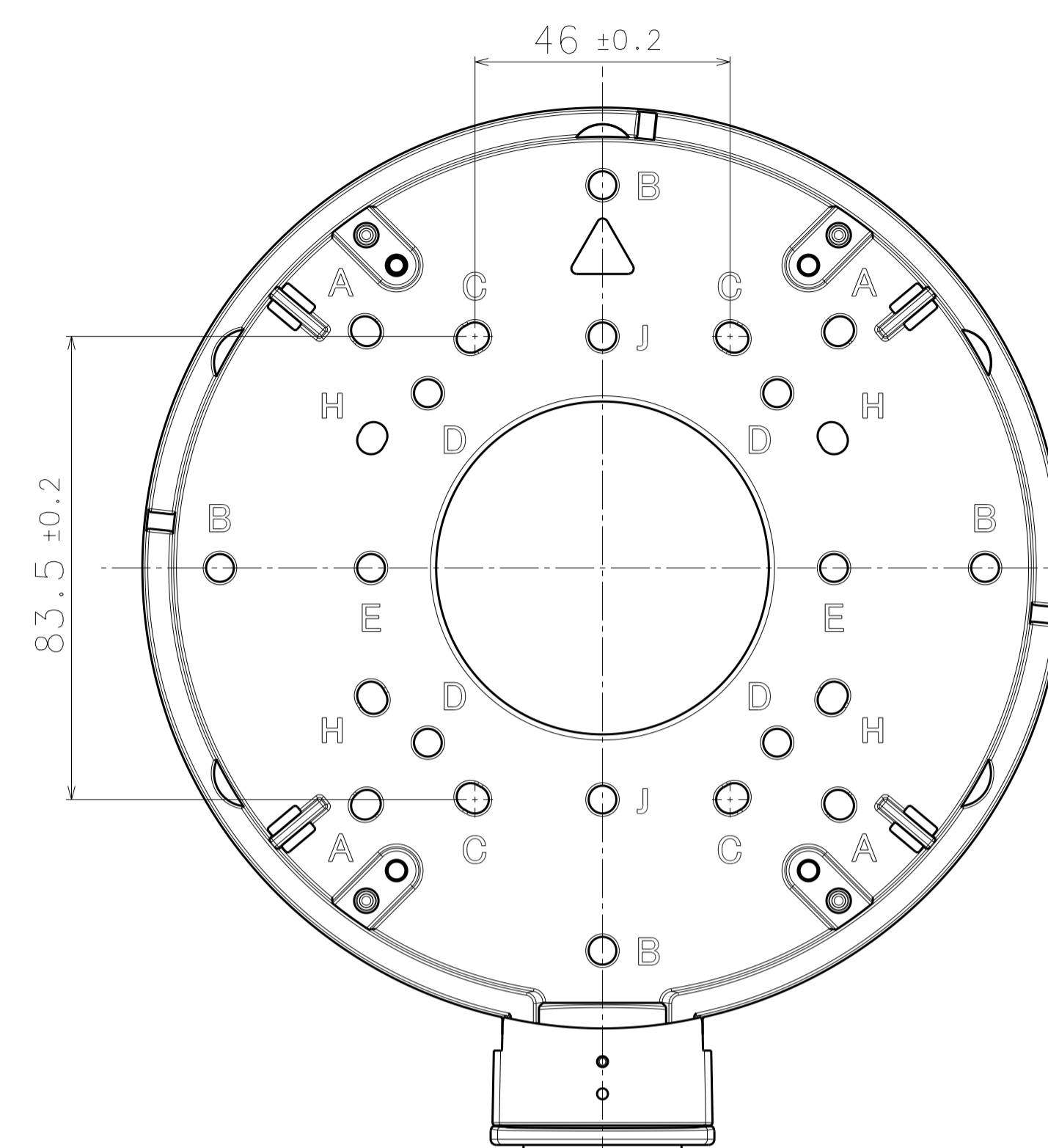
Position A



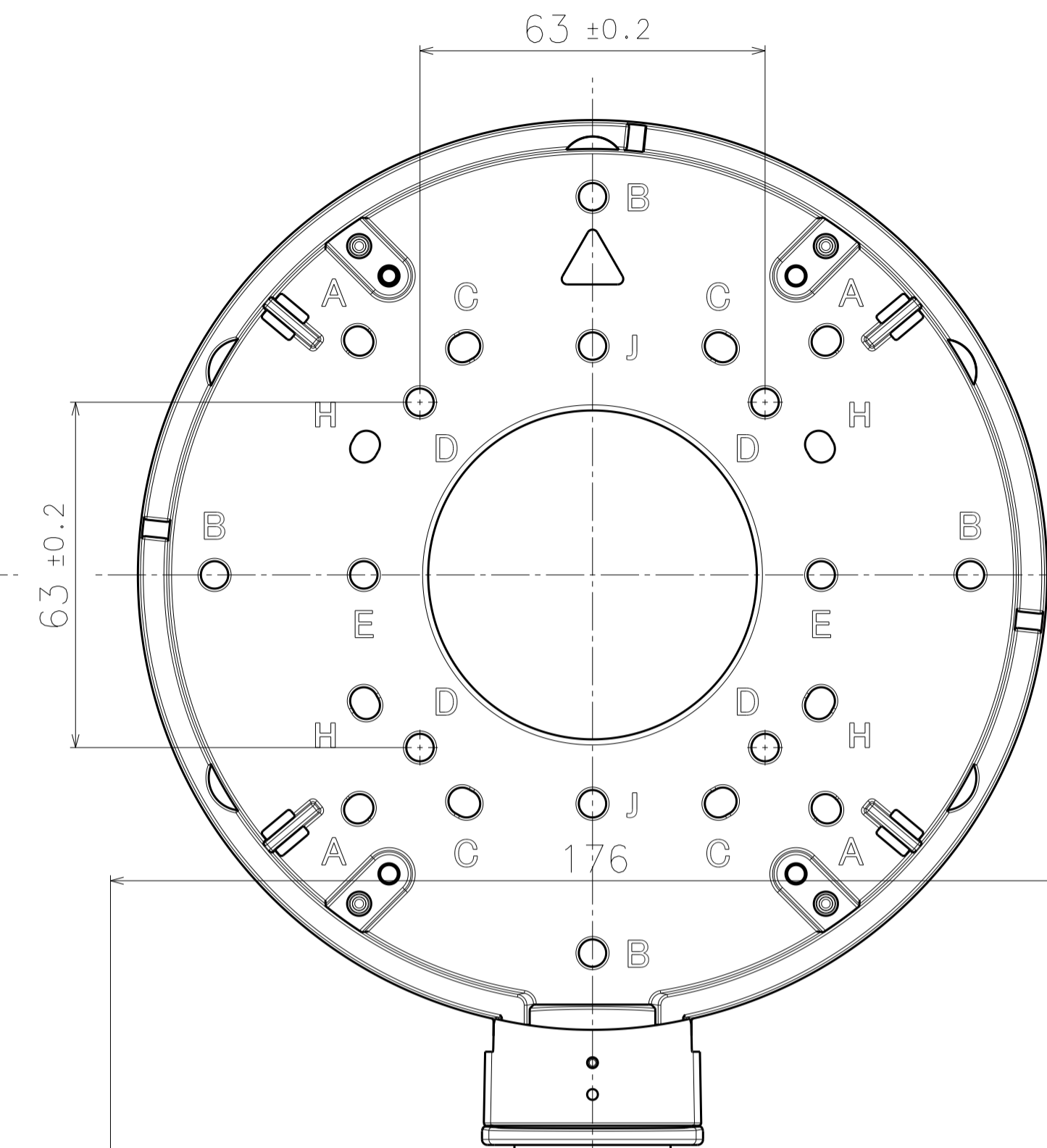
Position B



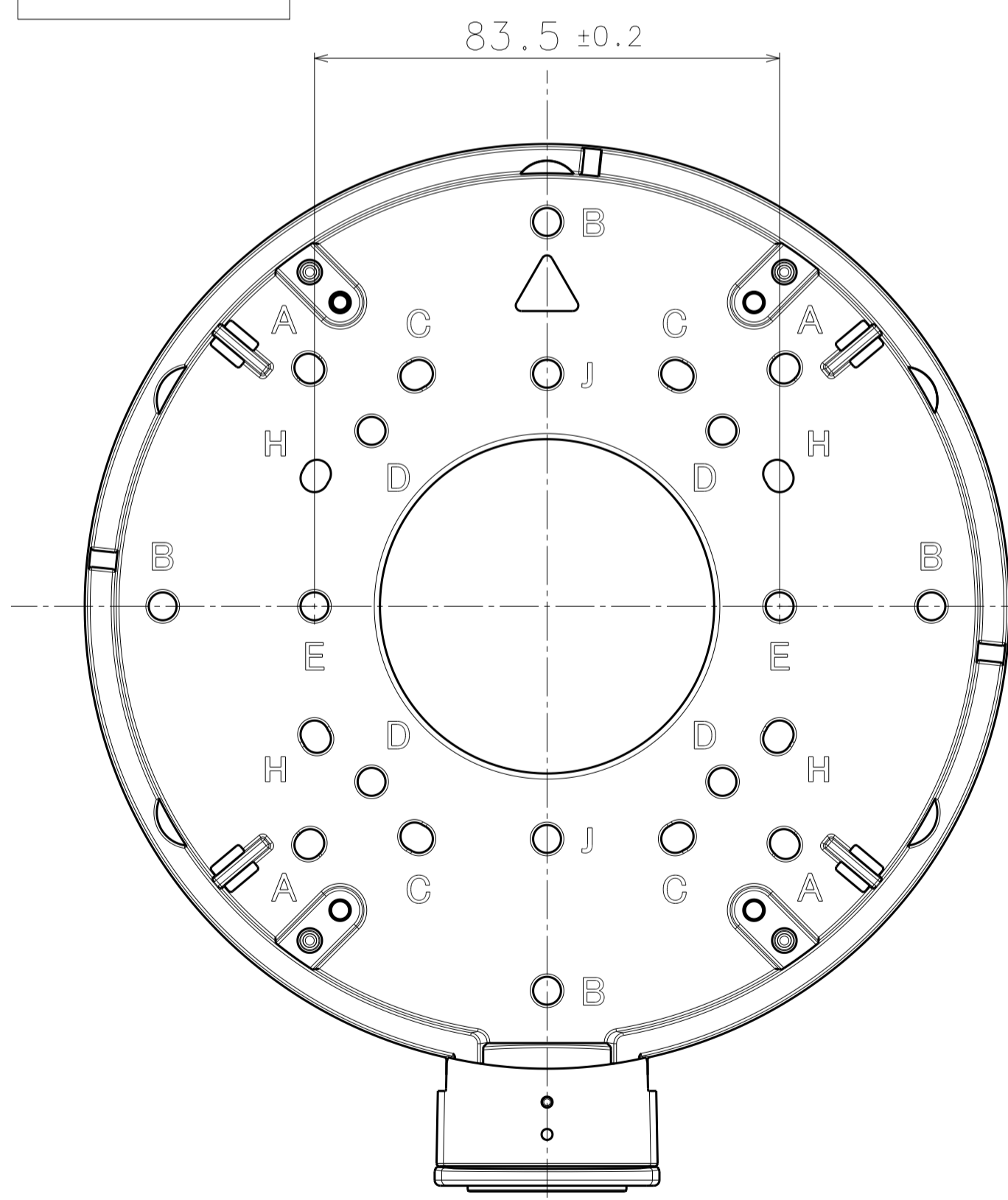
Position C



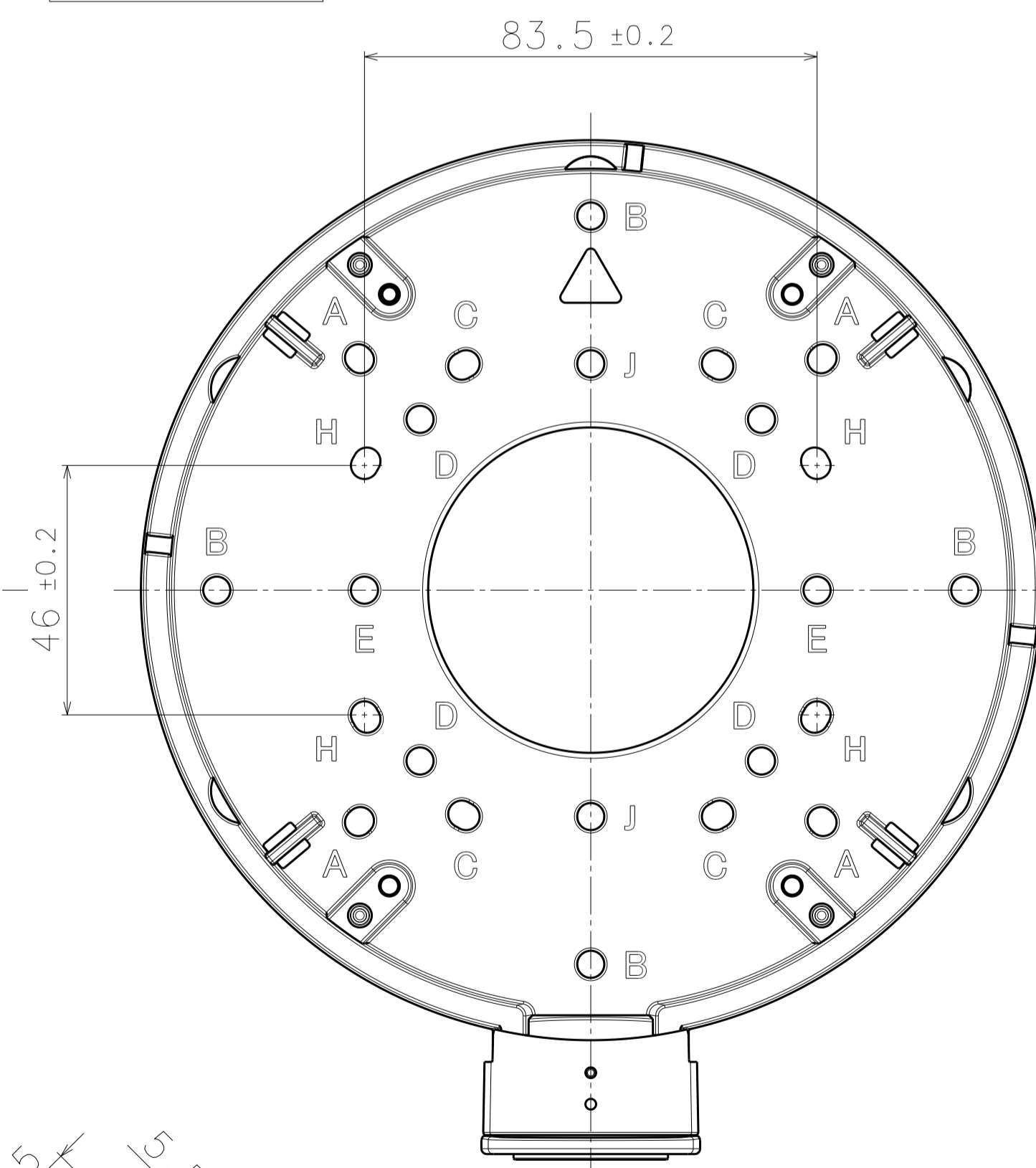
Position D



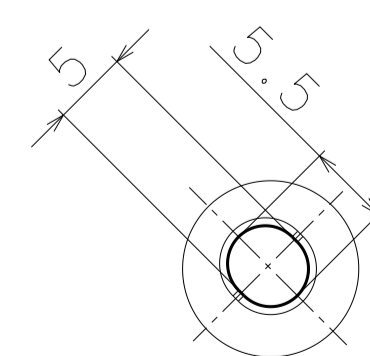
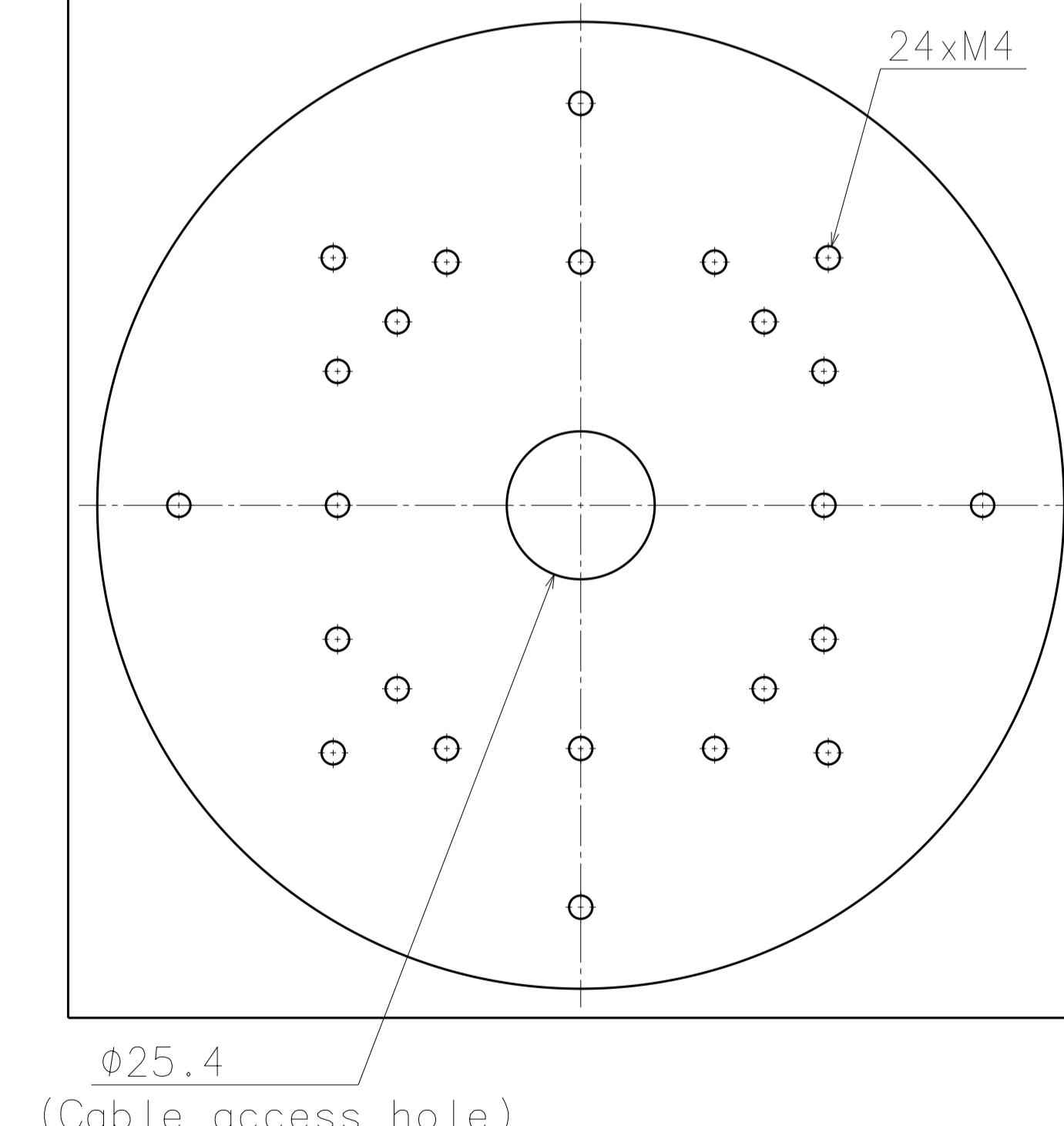
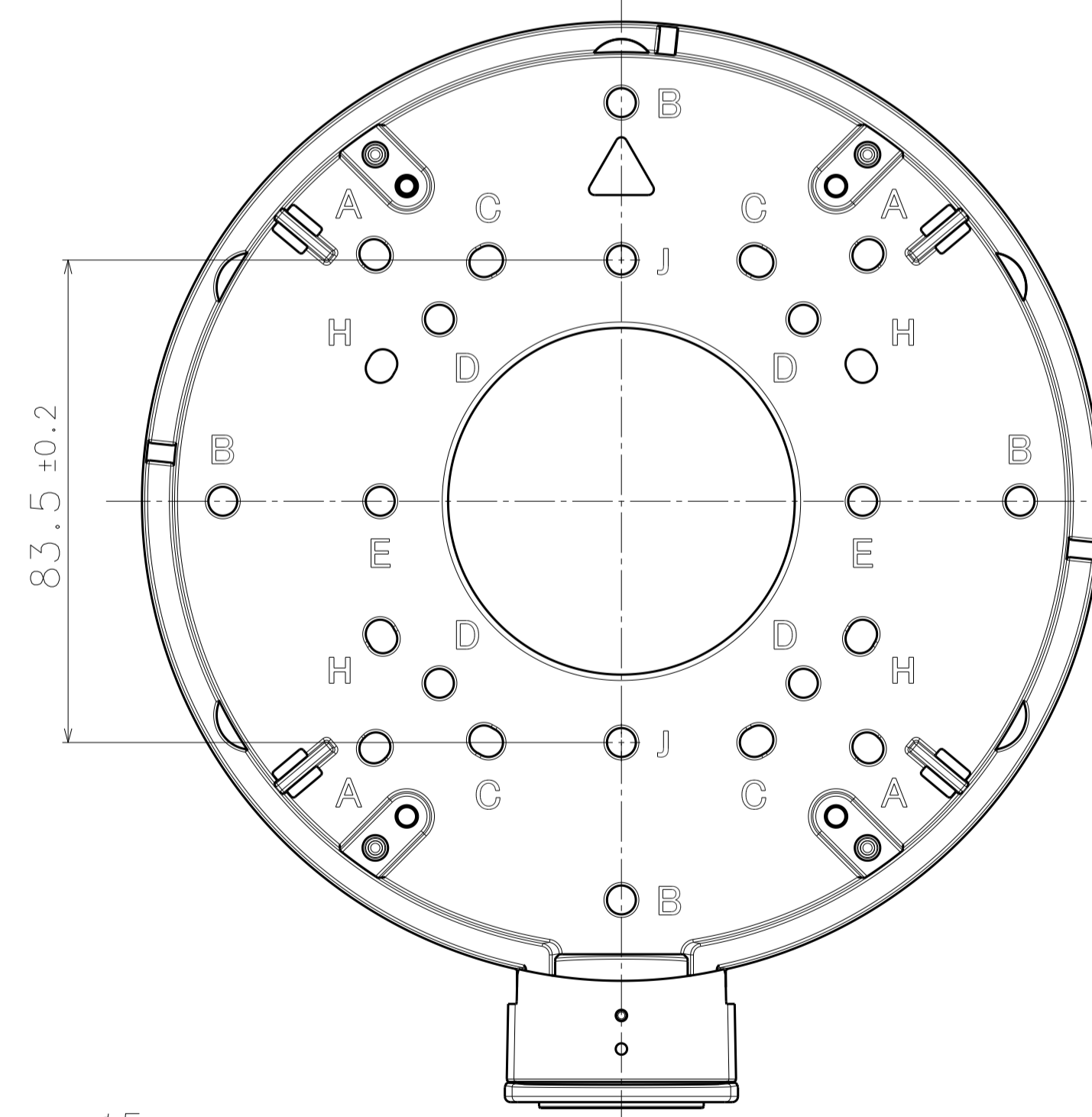
Position E



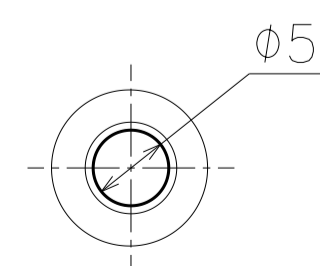
Position H



Position J



Detail Y (2:1)  
Hole size (Position A, C, H)

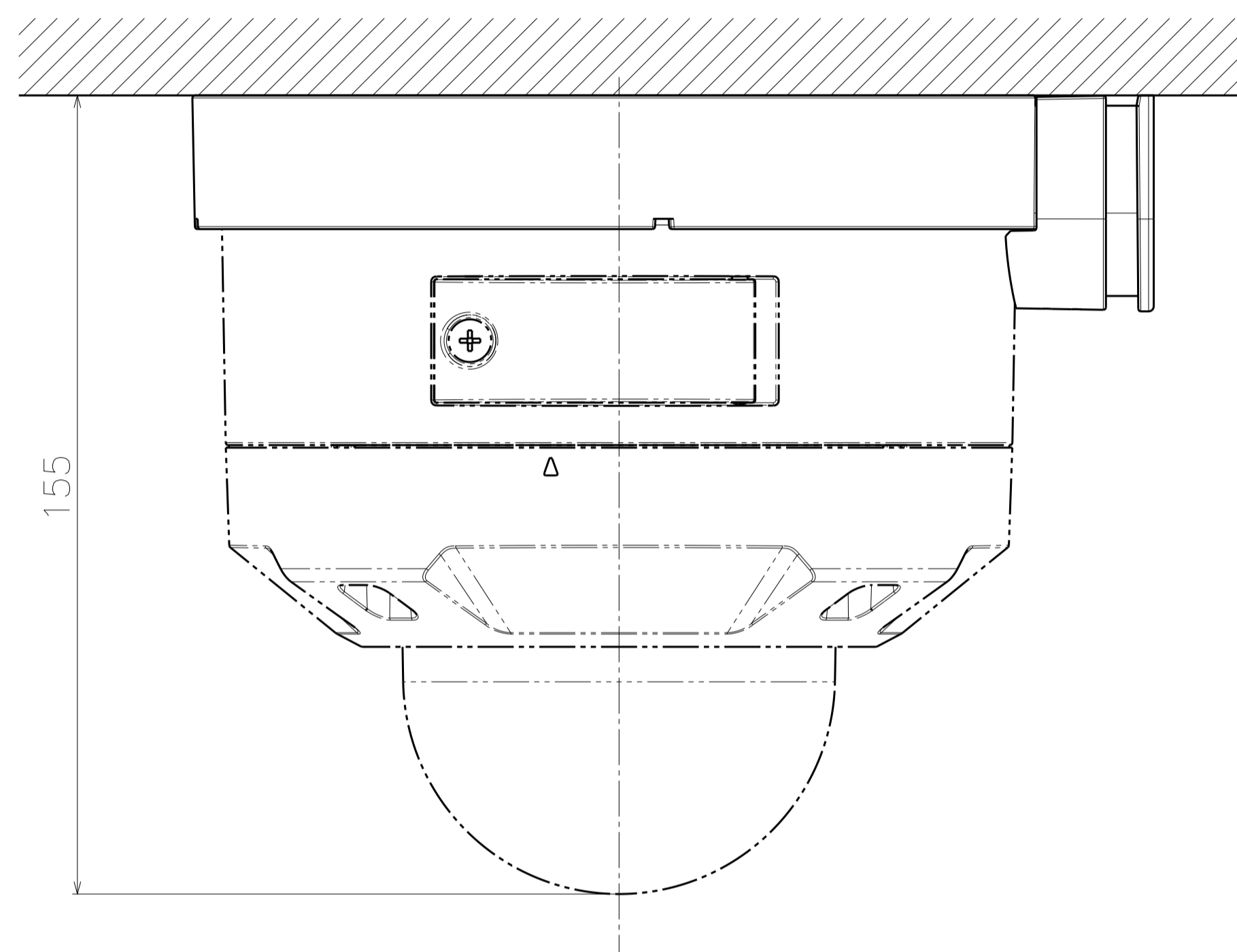


Detail Z (2:1)  
Hole size (Position B, D, E, J)

Template for mounting

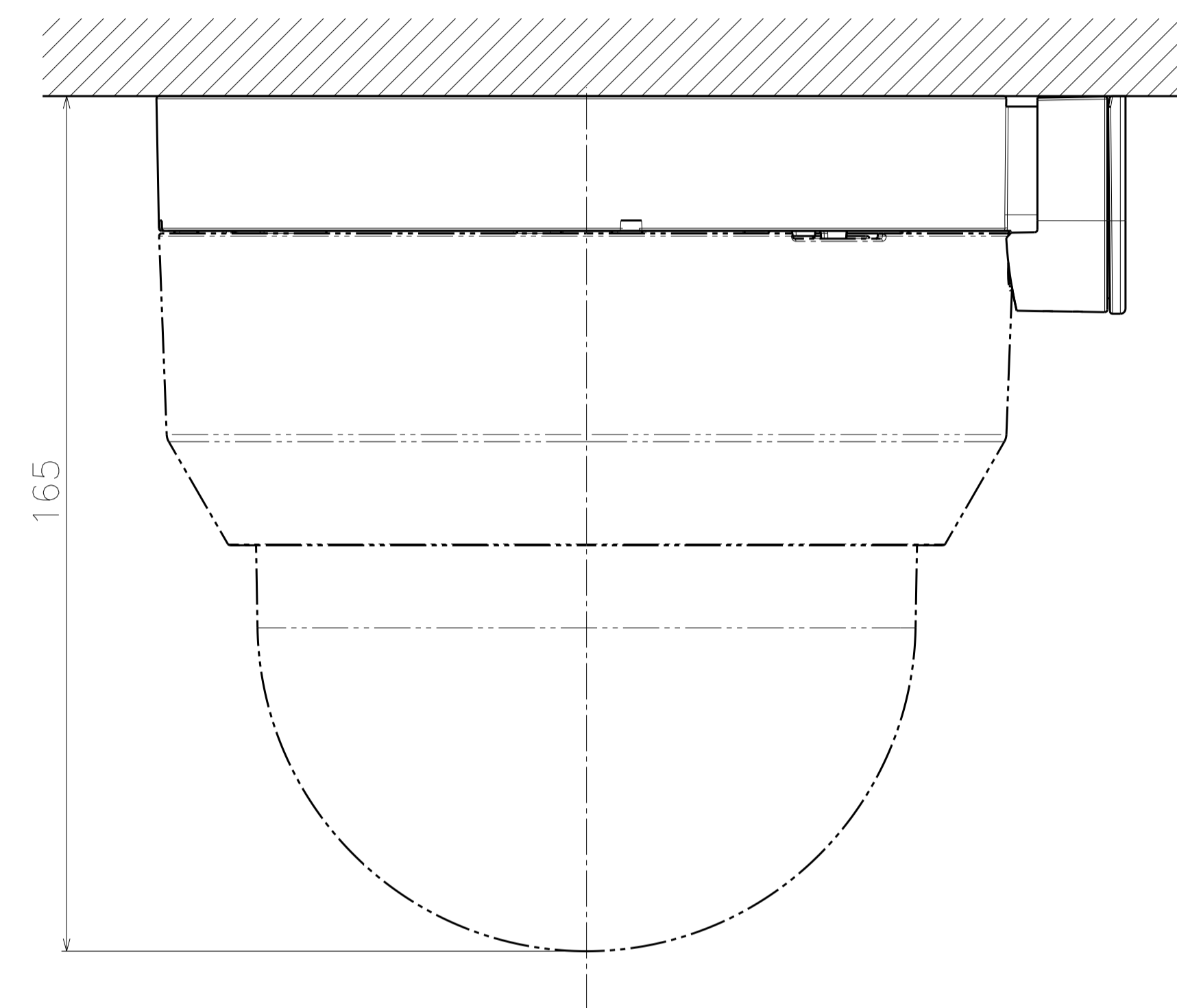
Model number  
WV-QJB504-W

カメラとの組み合わせ例  
Example of combination with a camera



Attach to WV-U65300\*\*

|                | 投影面積/Projected area     |
|----------------|-------------------------|
| 正面図/Front-view | 0.020 (m <sup>2</sup> ) |
| 側面図/Side-view  | 0.021 (m <sup>2</sup> ) |



Attach to WV-U65301\*\*

|                | 投影面積/Projected area     |
|----------------|-------------------------|
| 正面図/Front-view | 0.022 (m <sup>2</sup> ) |
| 側面図/Side-view  | 0.023 (m <sup>2</sup> ) |

Model number  
WV-QJB504-W