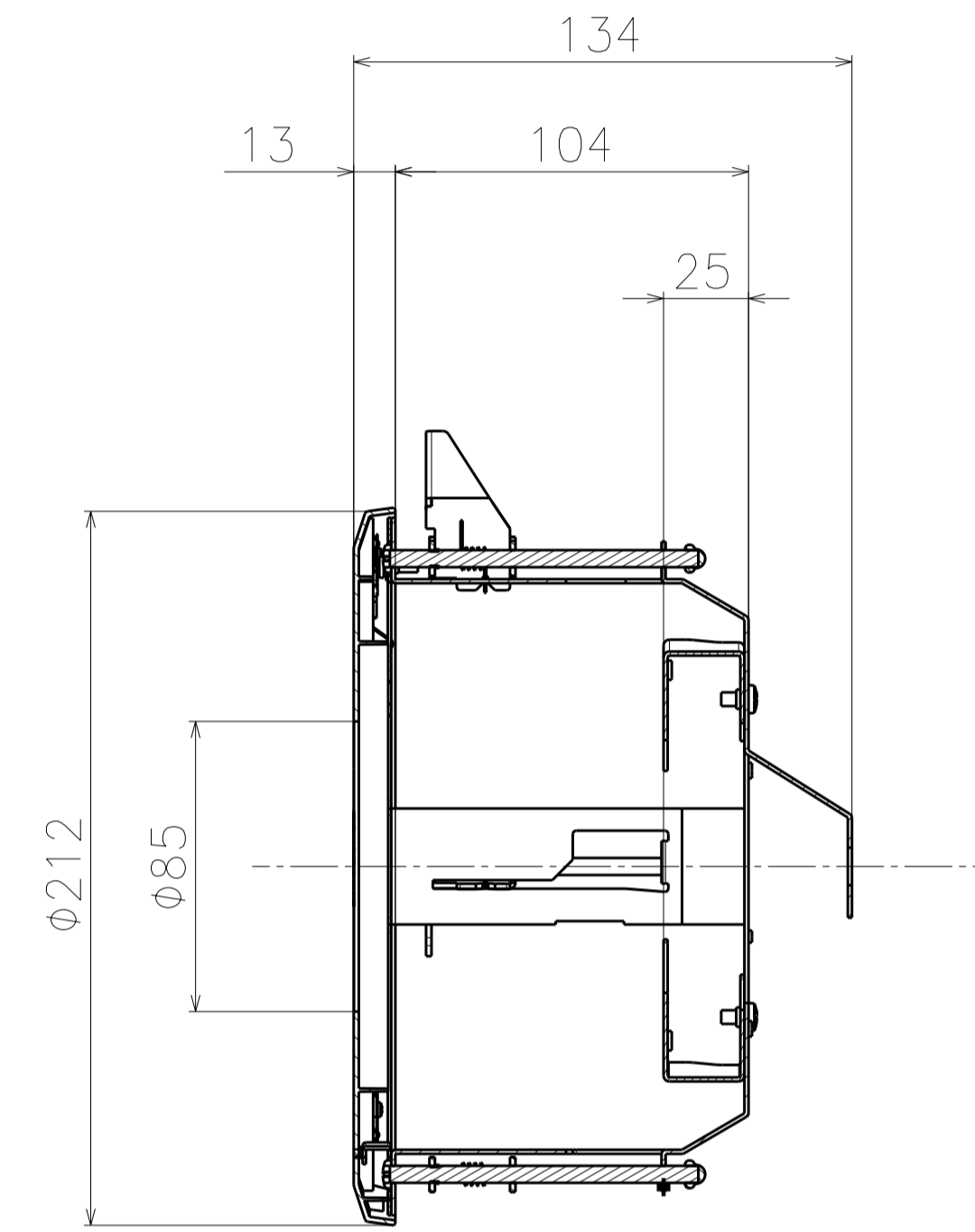
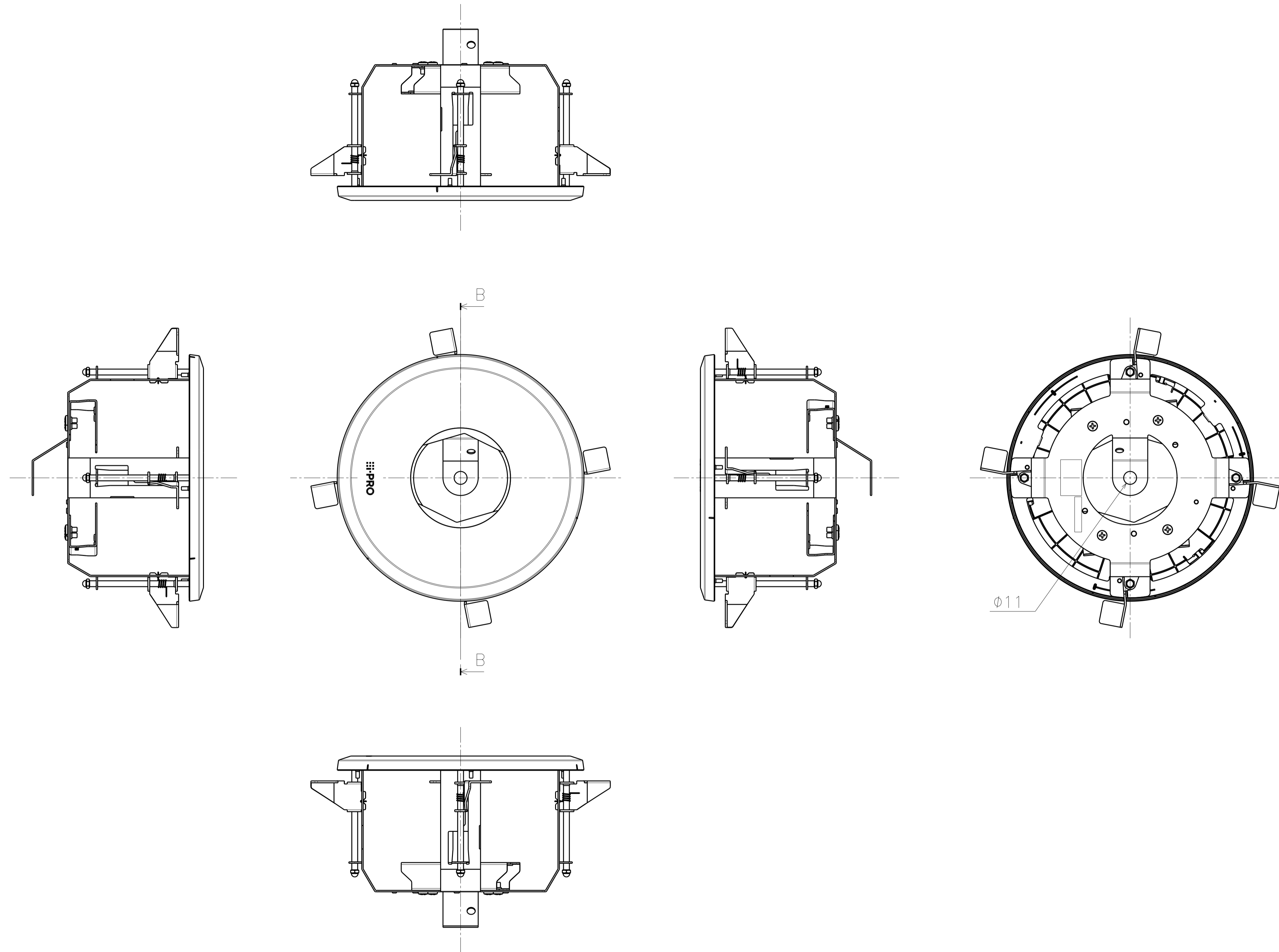
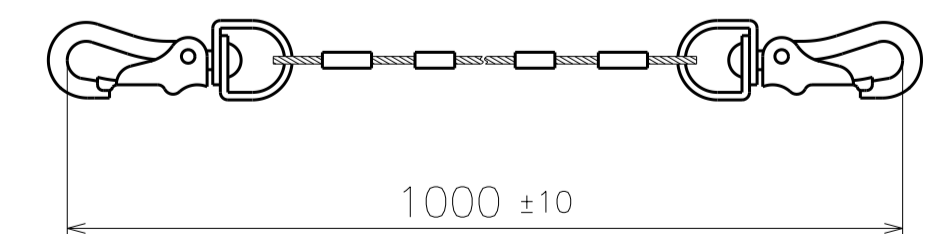
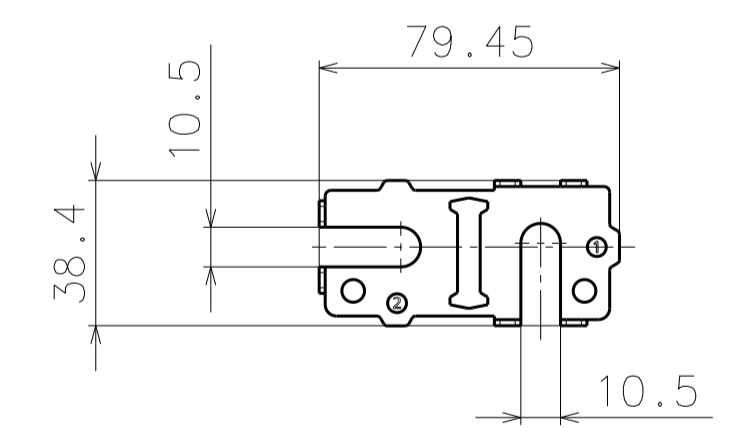


Model number  
WV-QEM501-W

Mass : Approx. 740 g {1.63 lbs}

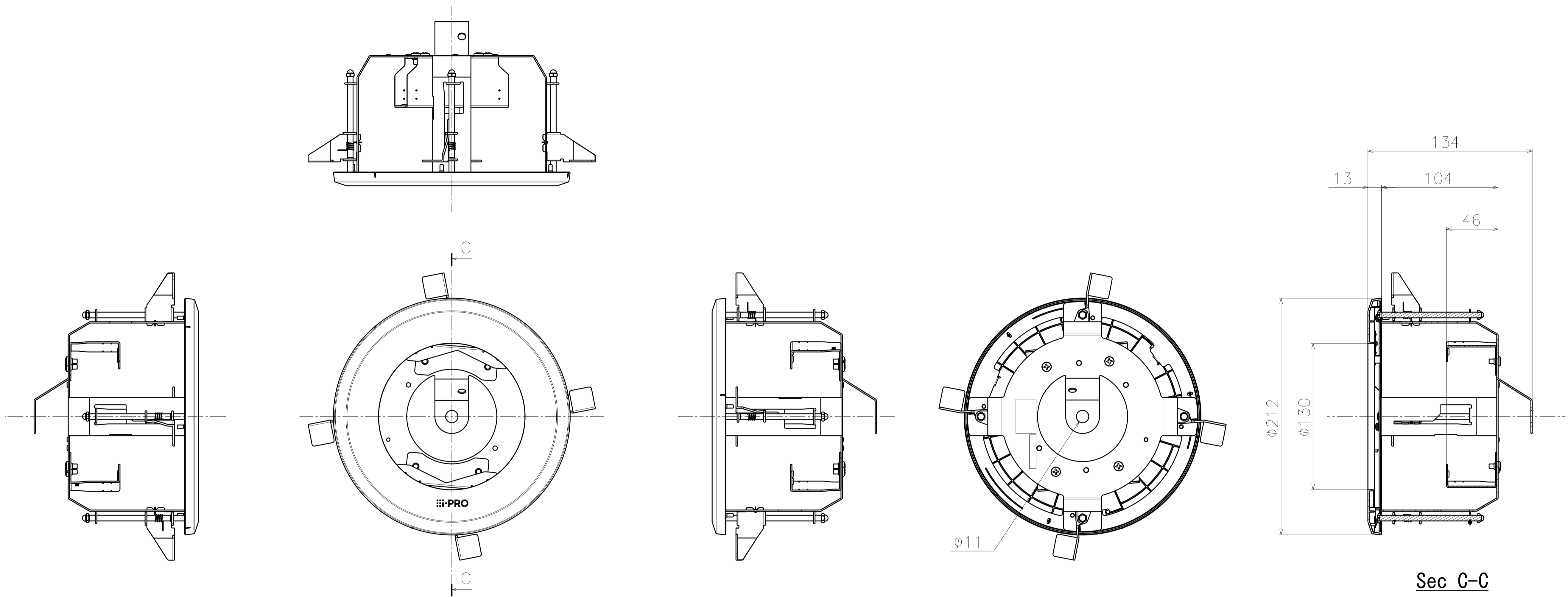


**Sec B-B**

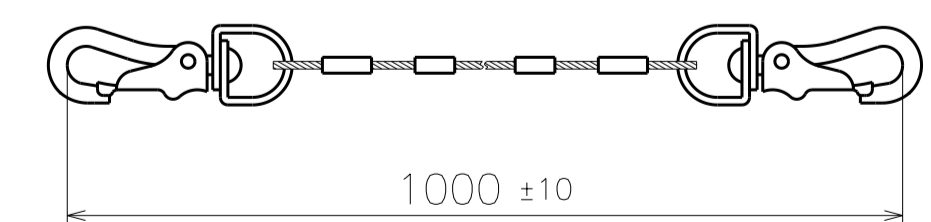
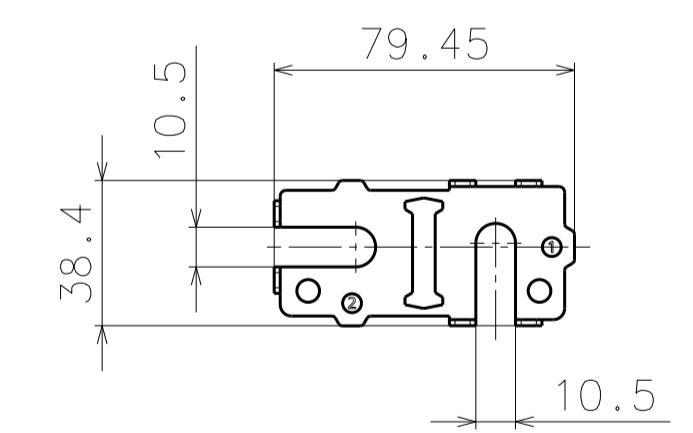


Model number  
WV-QEM502-W

Mass : Approx. 740 g {1.63 lbs}

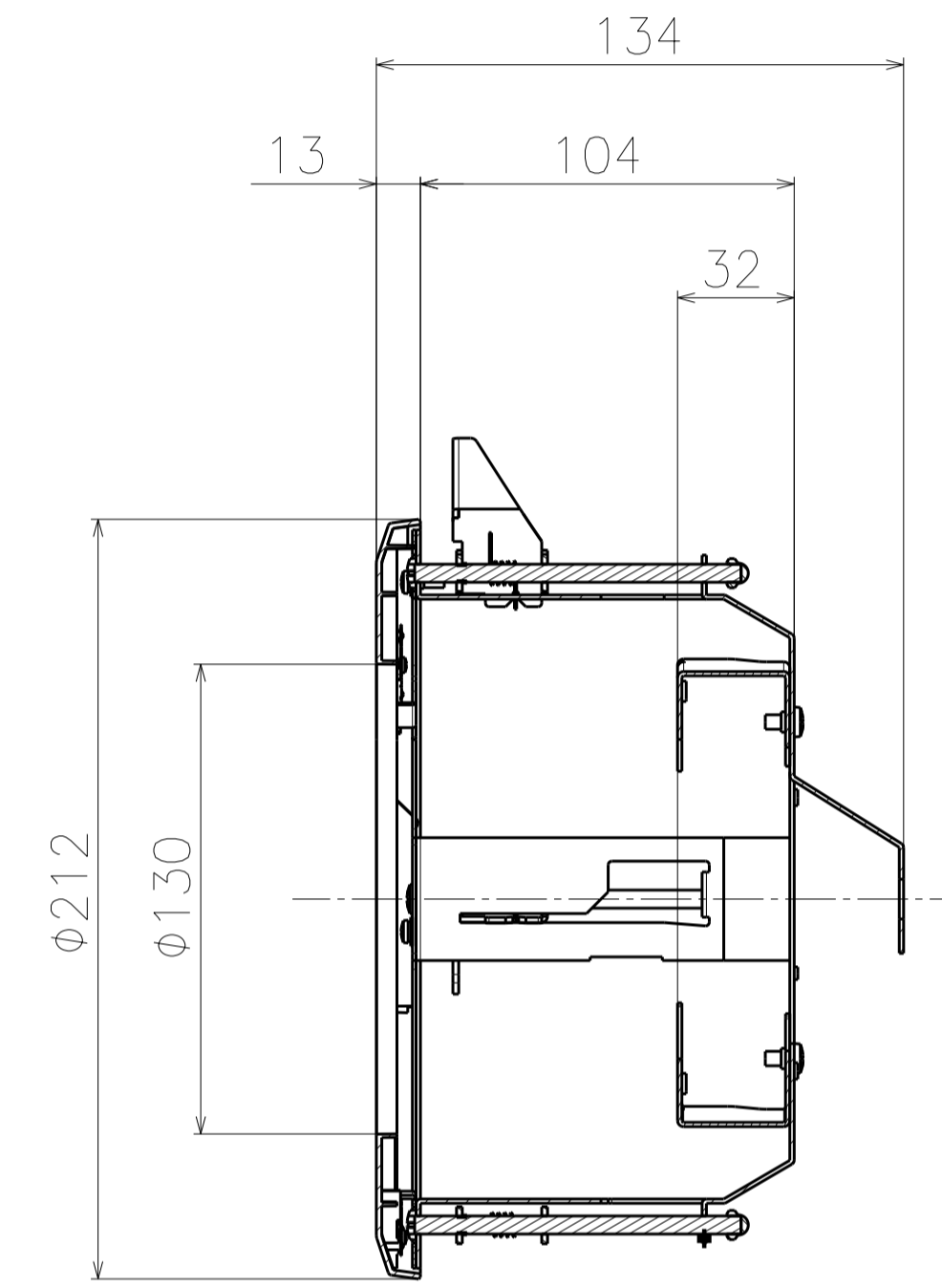
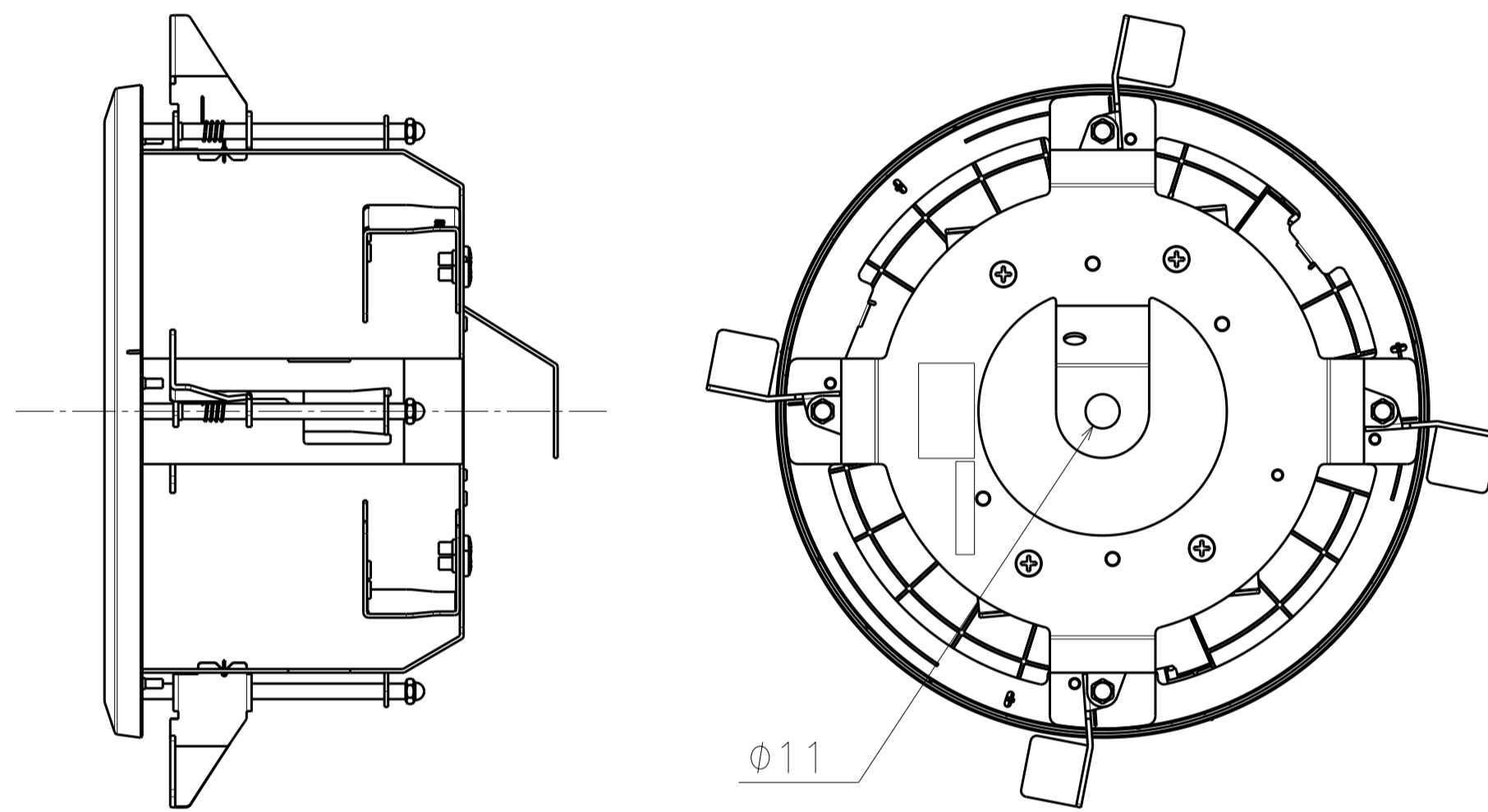
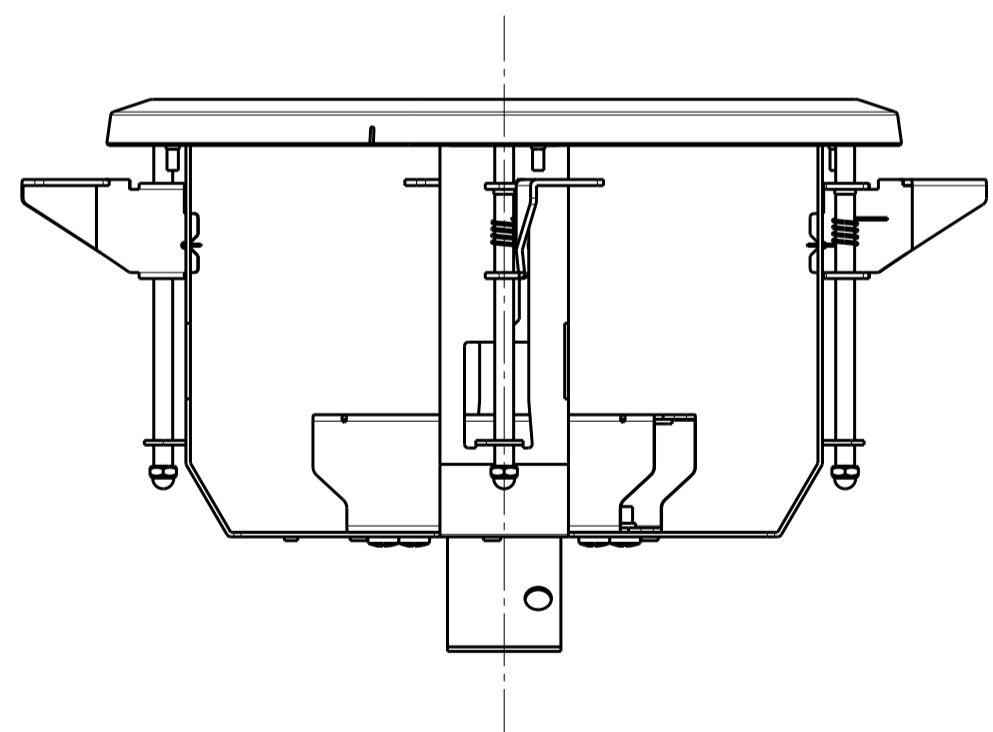
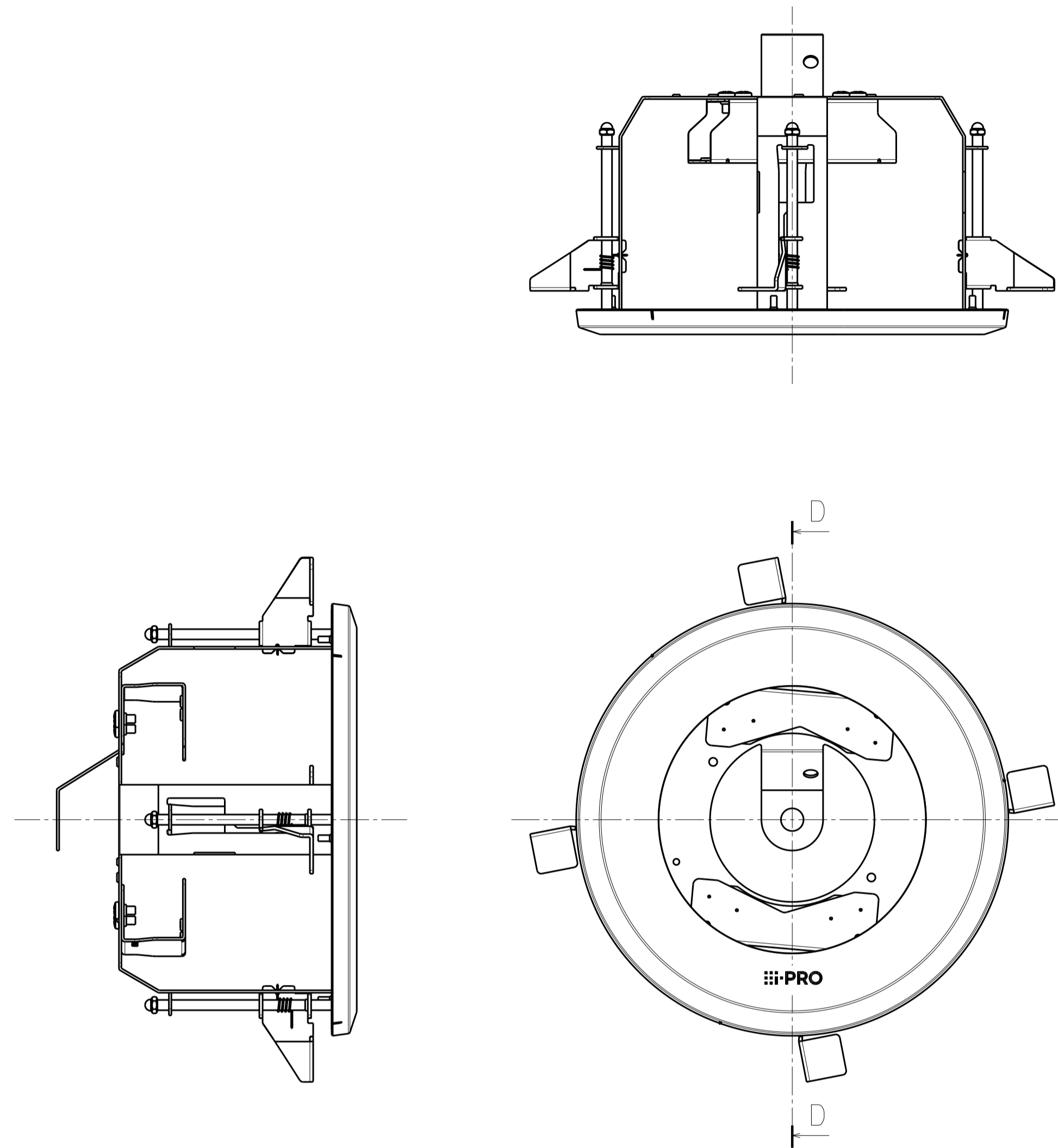


**Sec C-C**

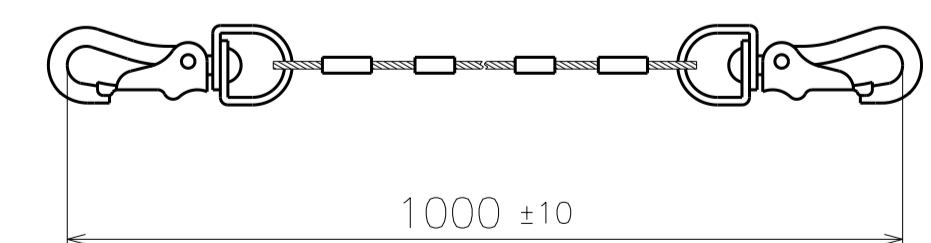
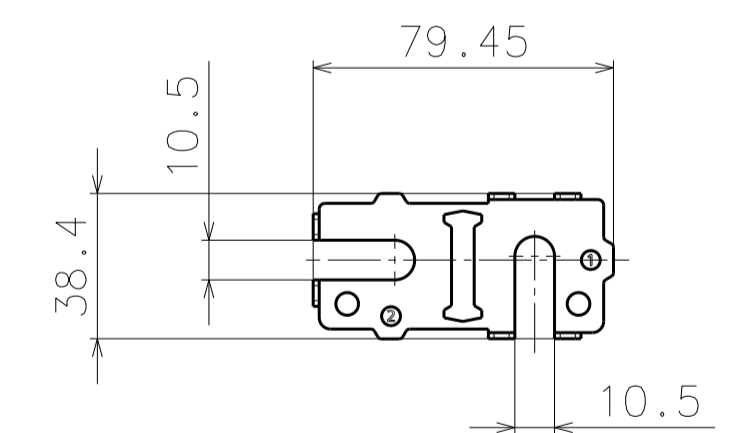


Model number  
WV-QEM503-W

Mass : Approx. 725 g {1.60 lbs}



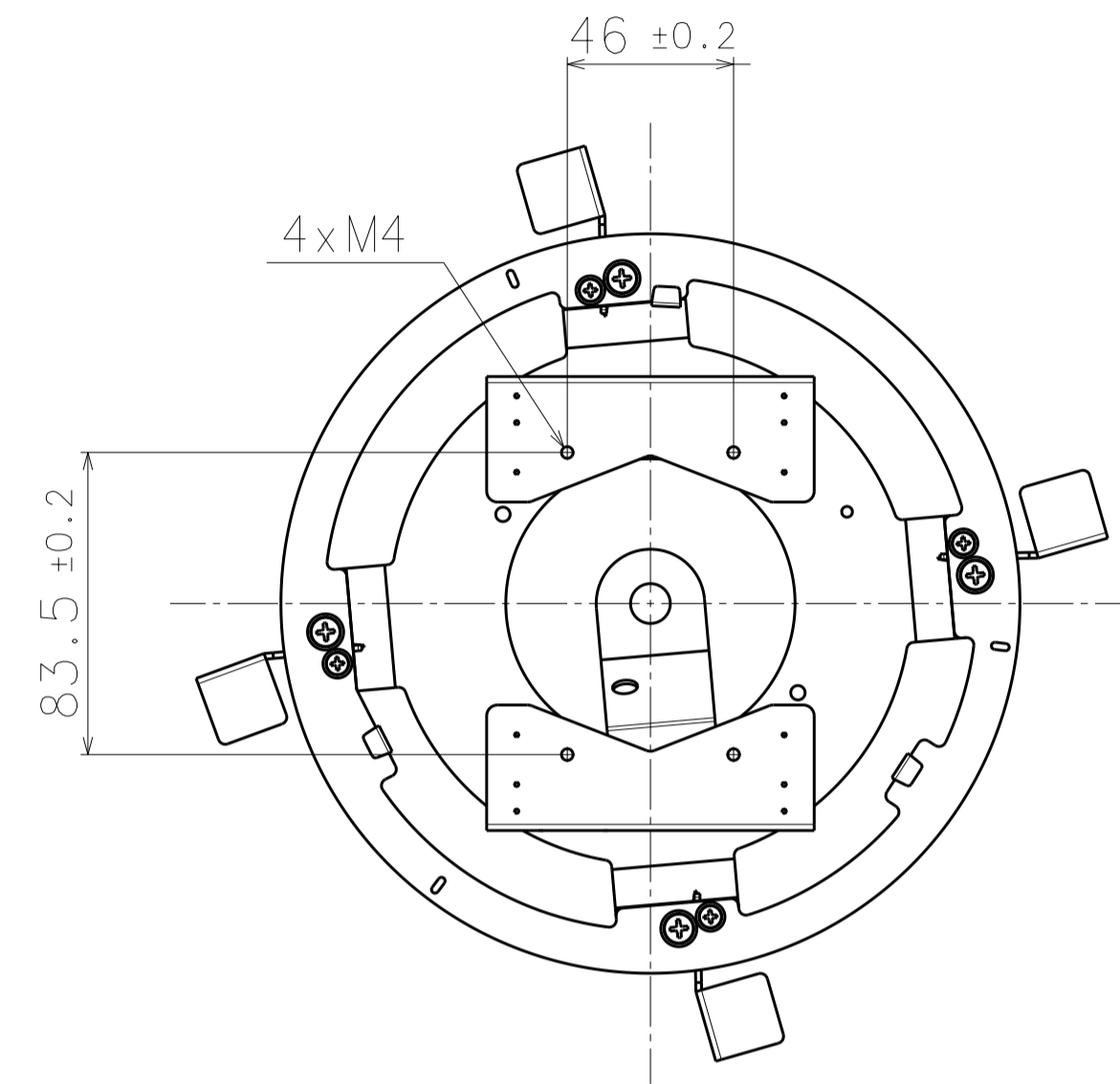
**Sec D-D**



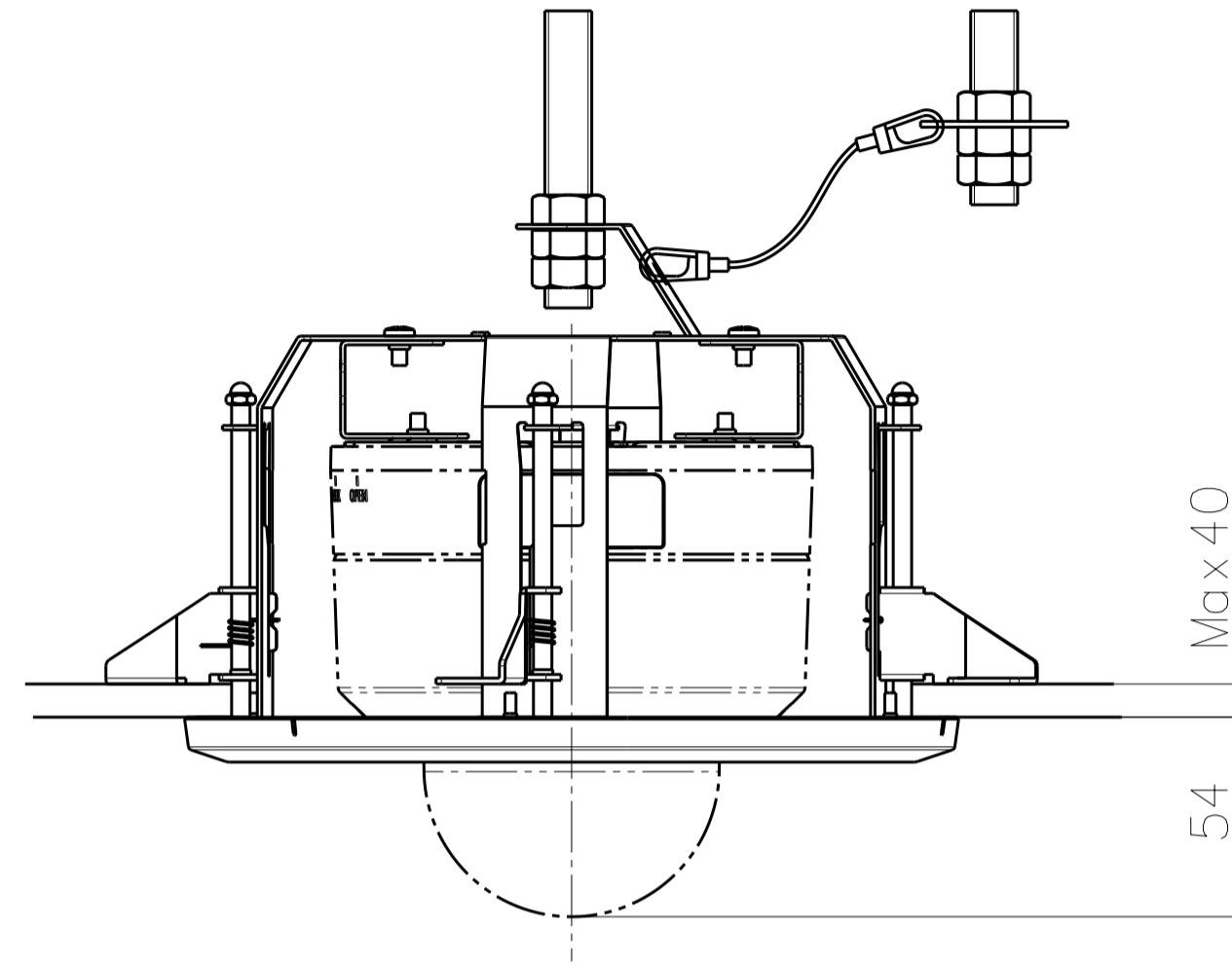
Model number  
WV-QEM504-W

Mass : Approx. 725 g {1.60 lbs}

カメラとの組み合わせ例  
Example of combination with a camera

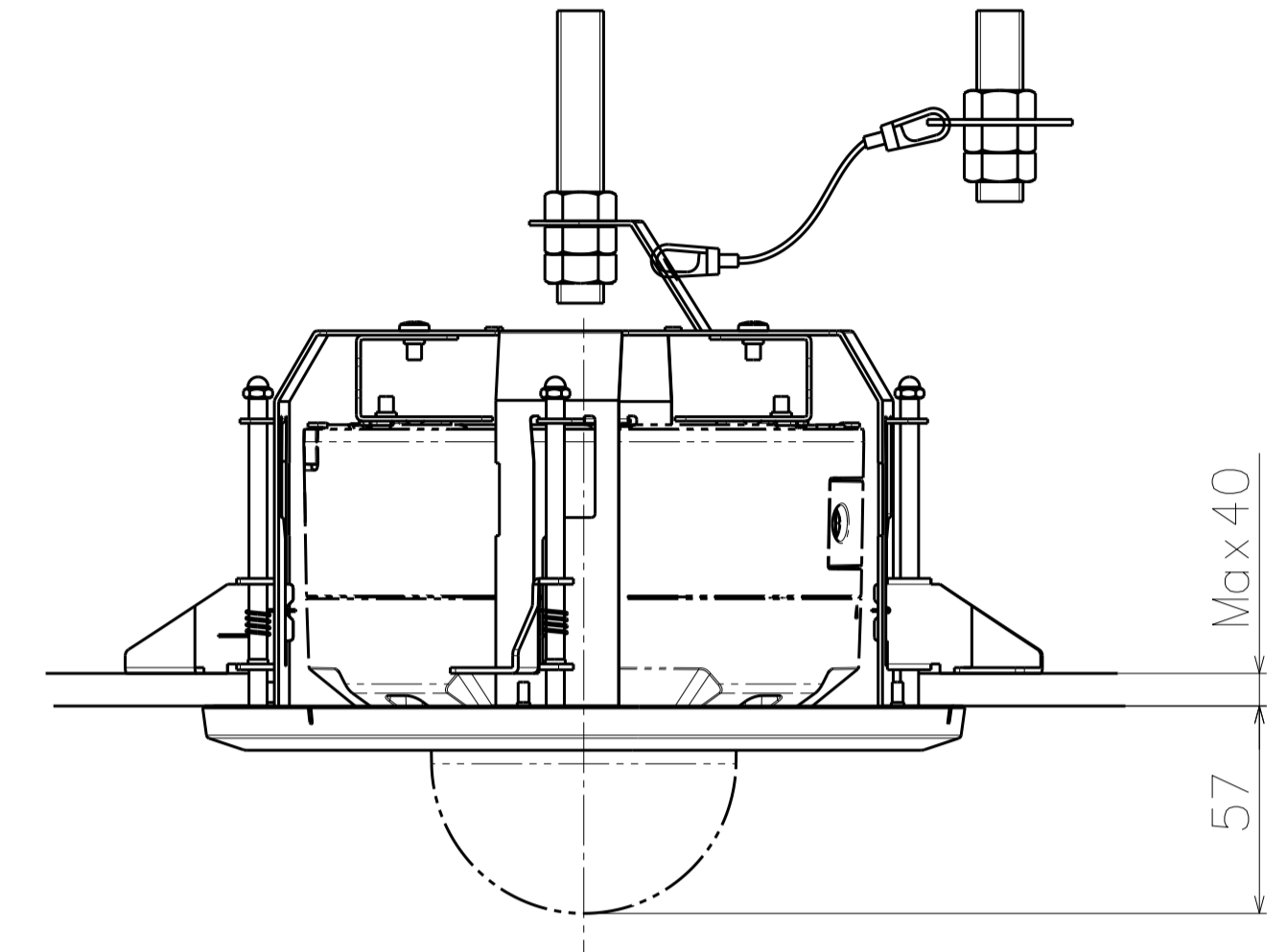


WV-QEM501-W



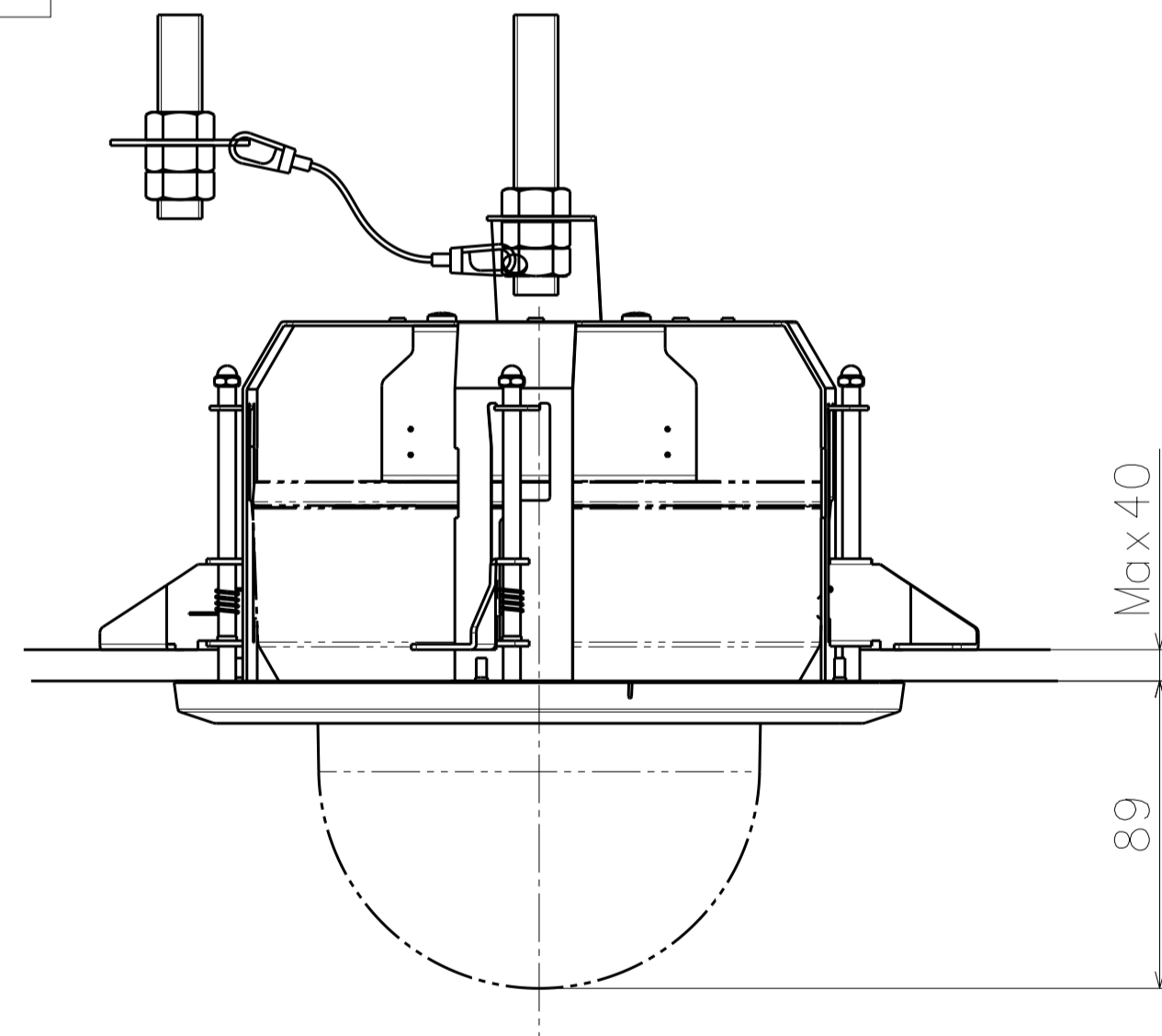
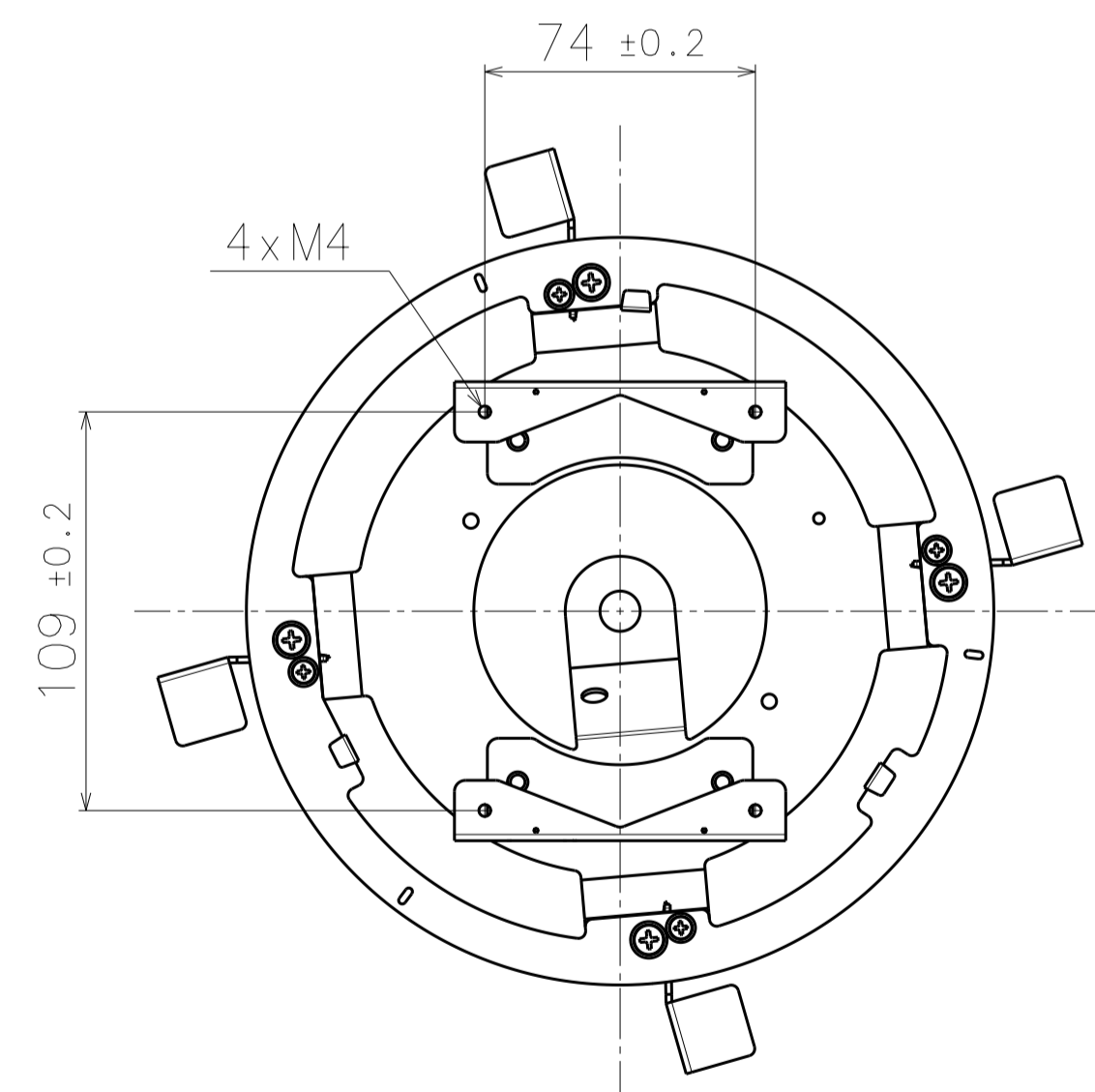
Attach to WV-U61300\*\*

WV-QEM502-W



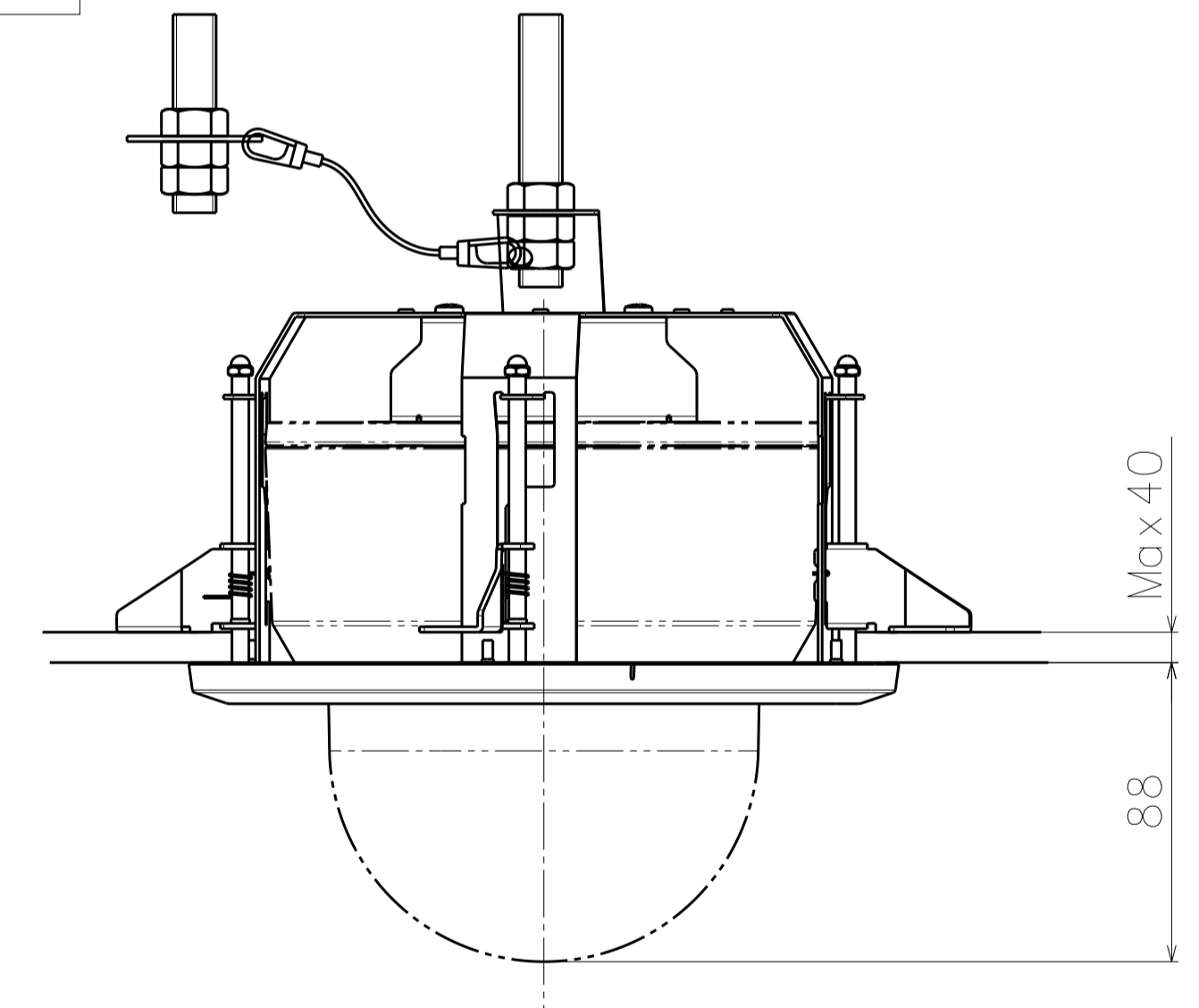
Attach to WV-U65300\*\*

WV-QEM503-W



Attach to WV-U65301\*\*

WV-QEM504-W



Attach to WV-U65302\*\*