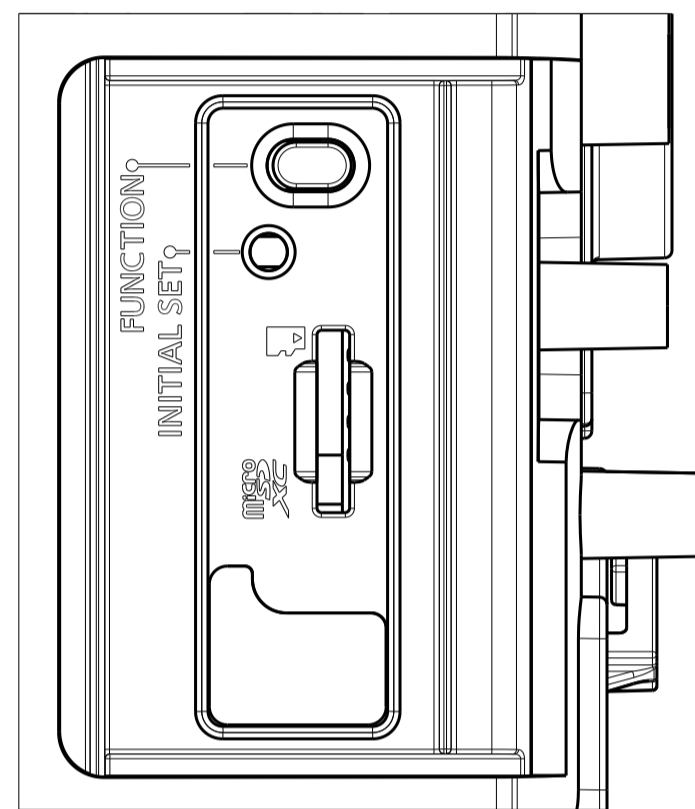
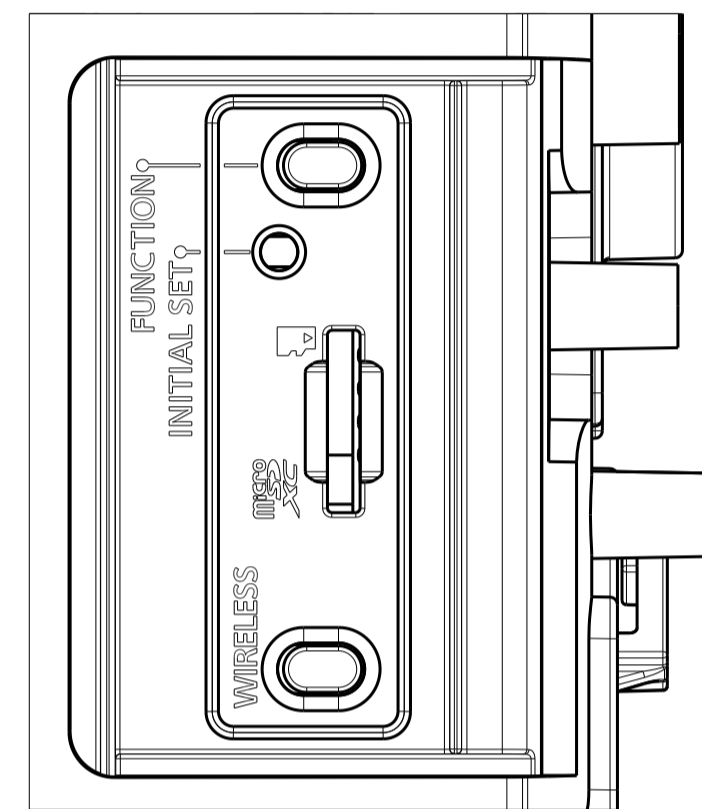


Model number	Mass
WV-B51300-F3	Approx. 460 g {1.02 lbs}
WV-B51300-F3W	Approx. 480 g {1.06 lbs}

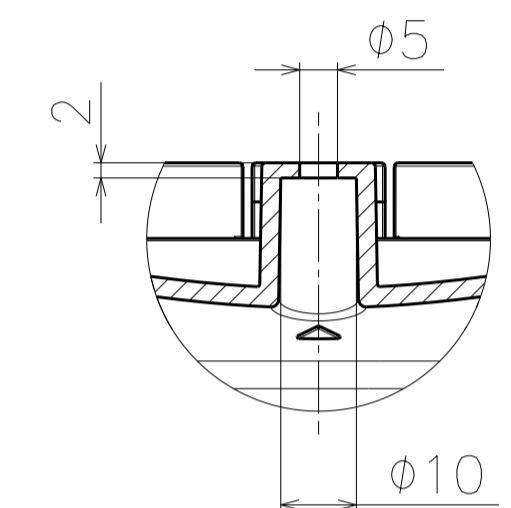
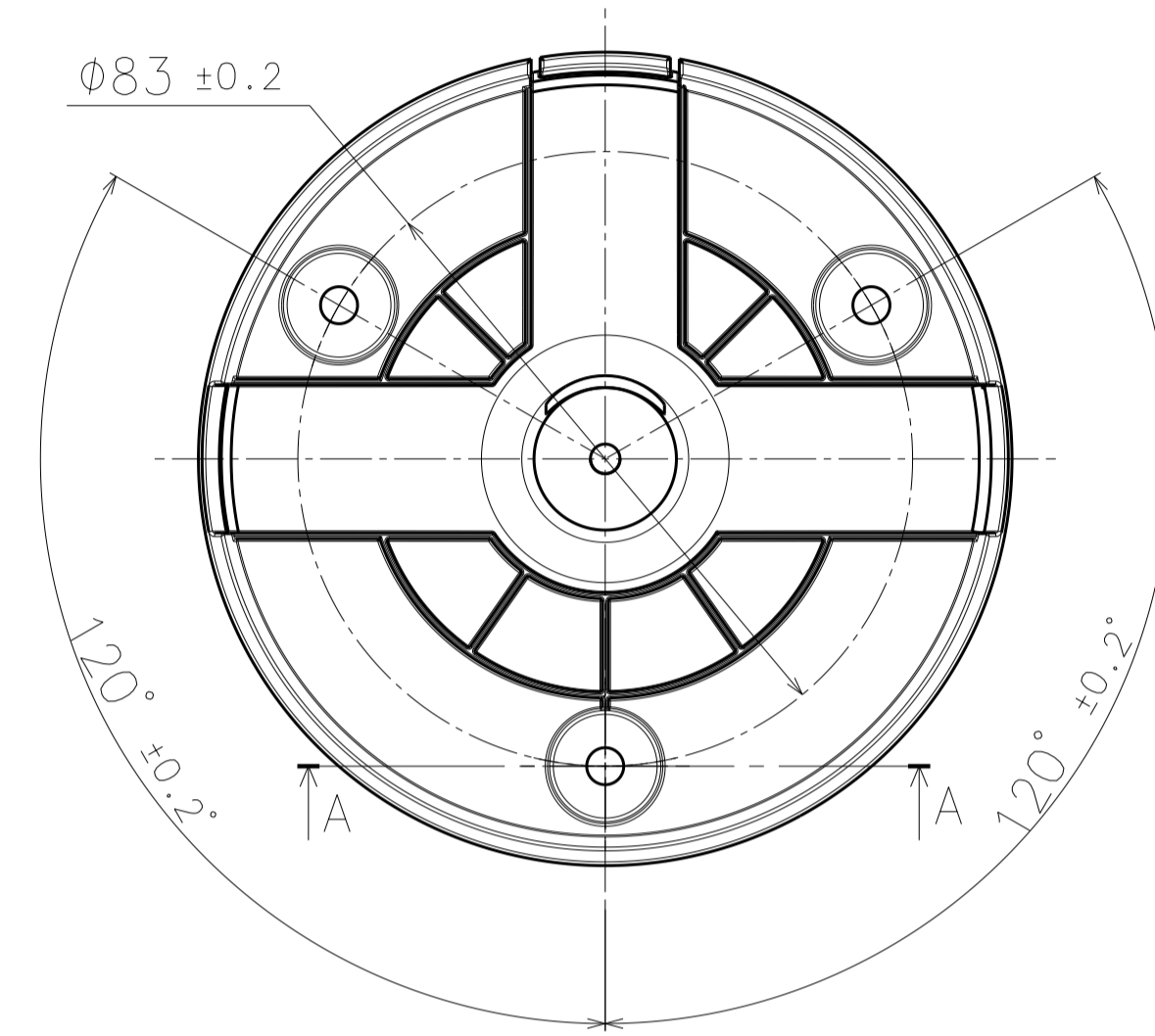


WV-B51300-F3

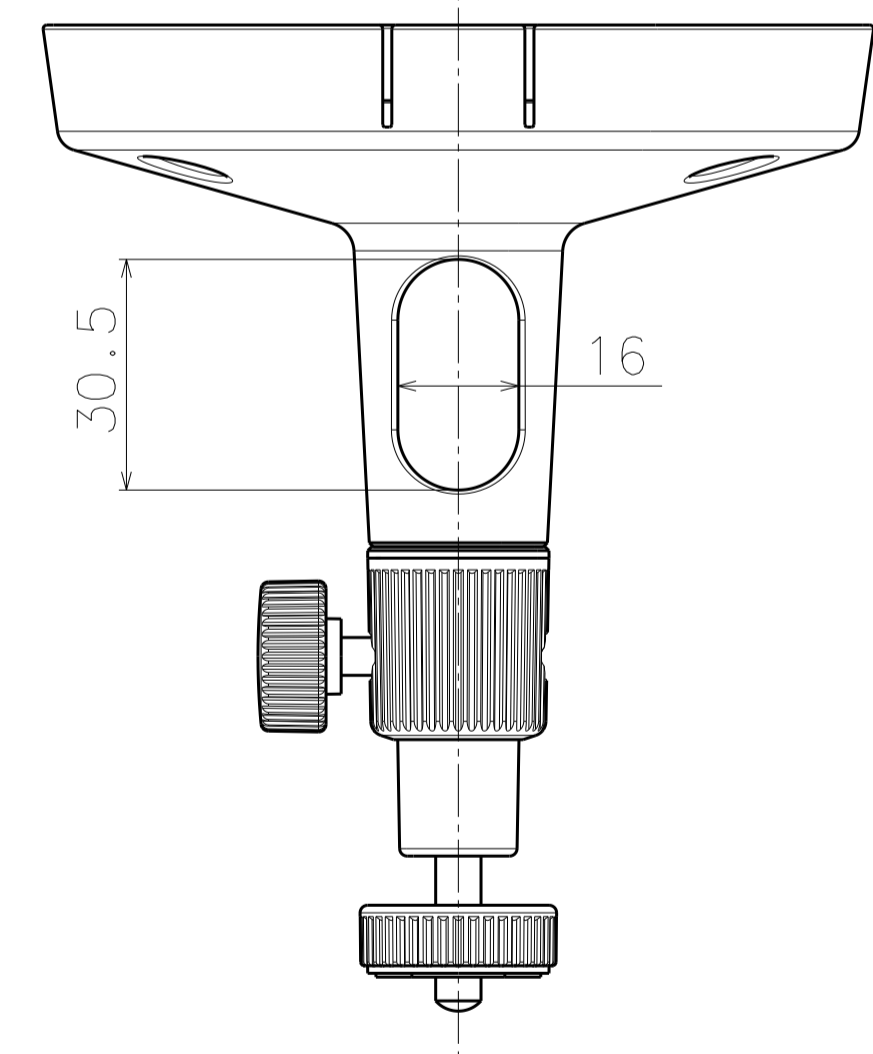
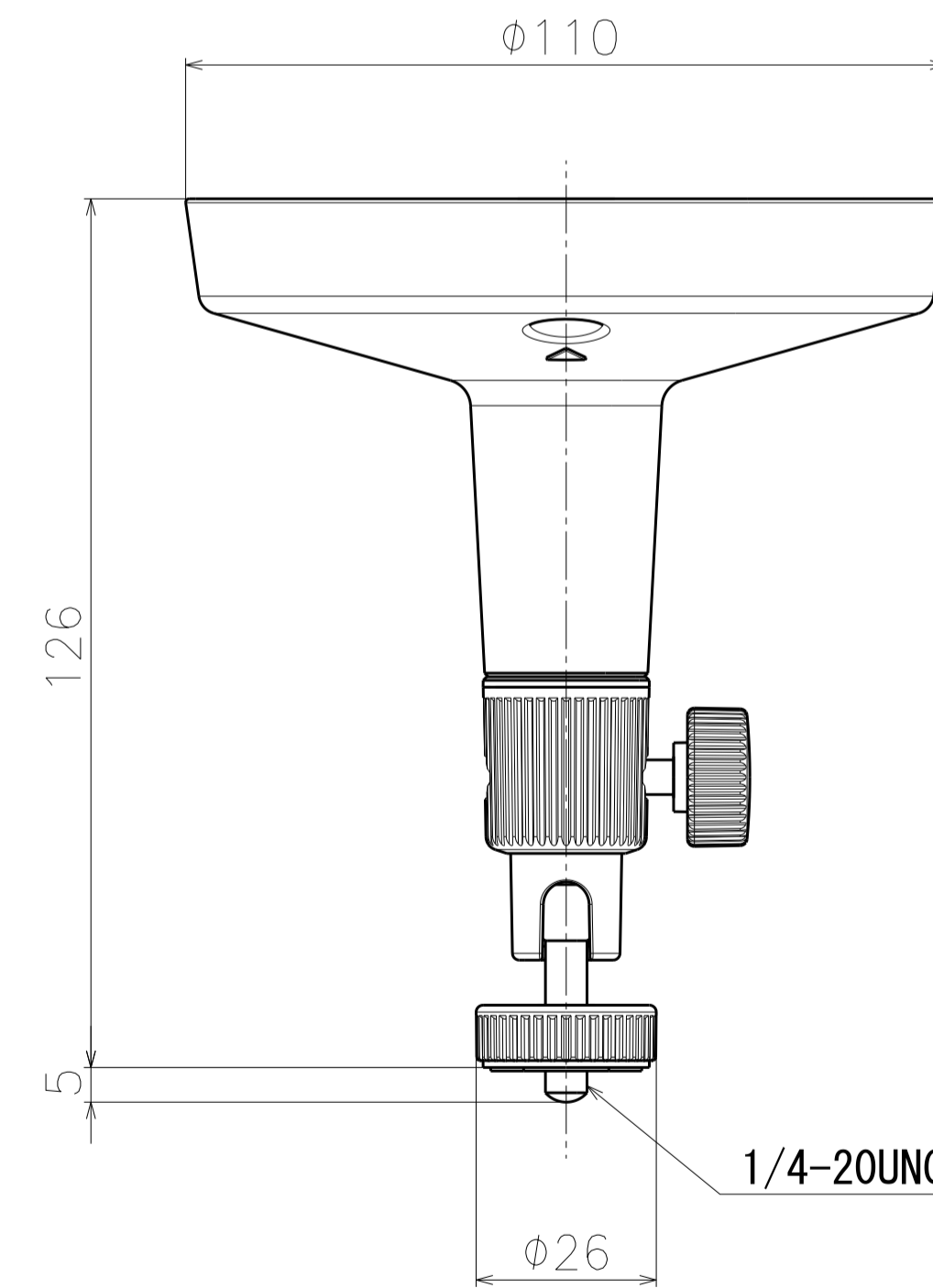


WV-B51300-F3W

Inside of micro SD cover
S=2:1

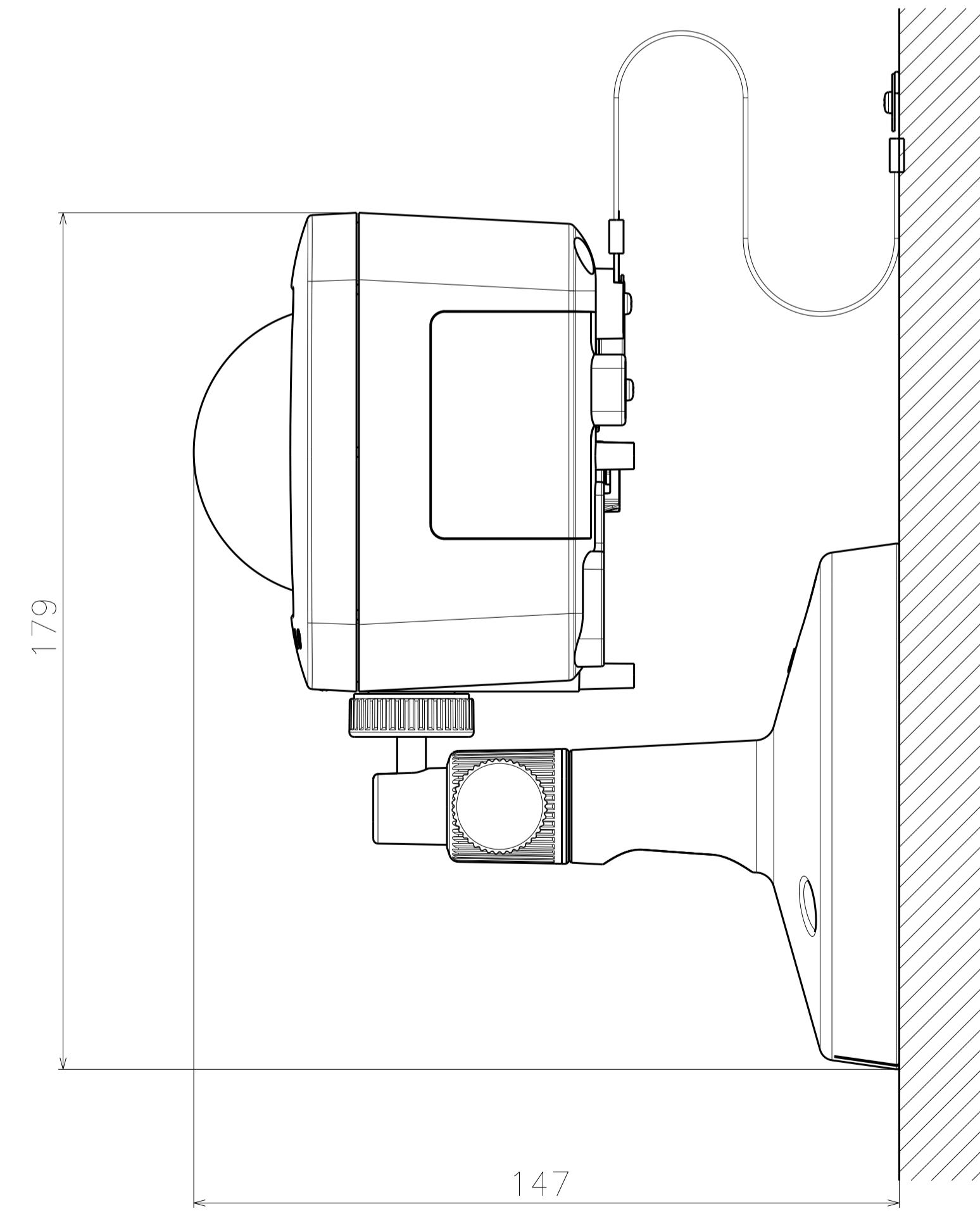
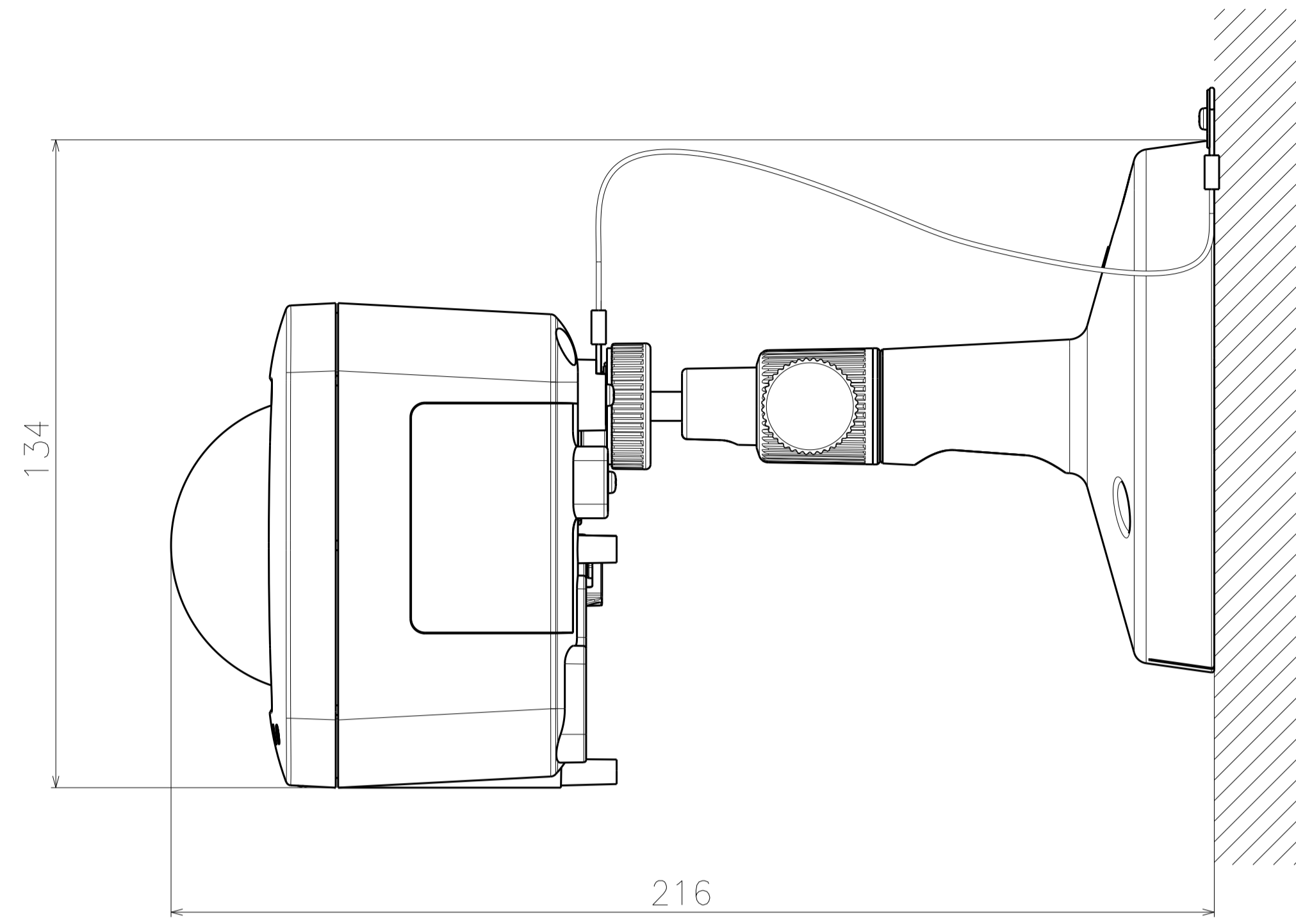
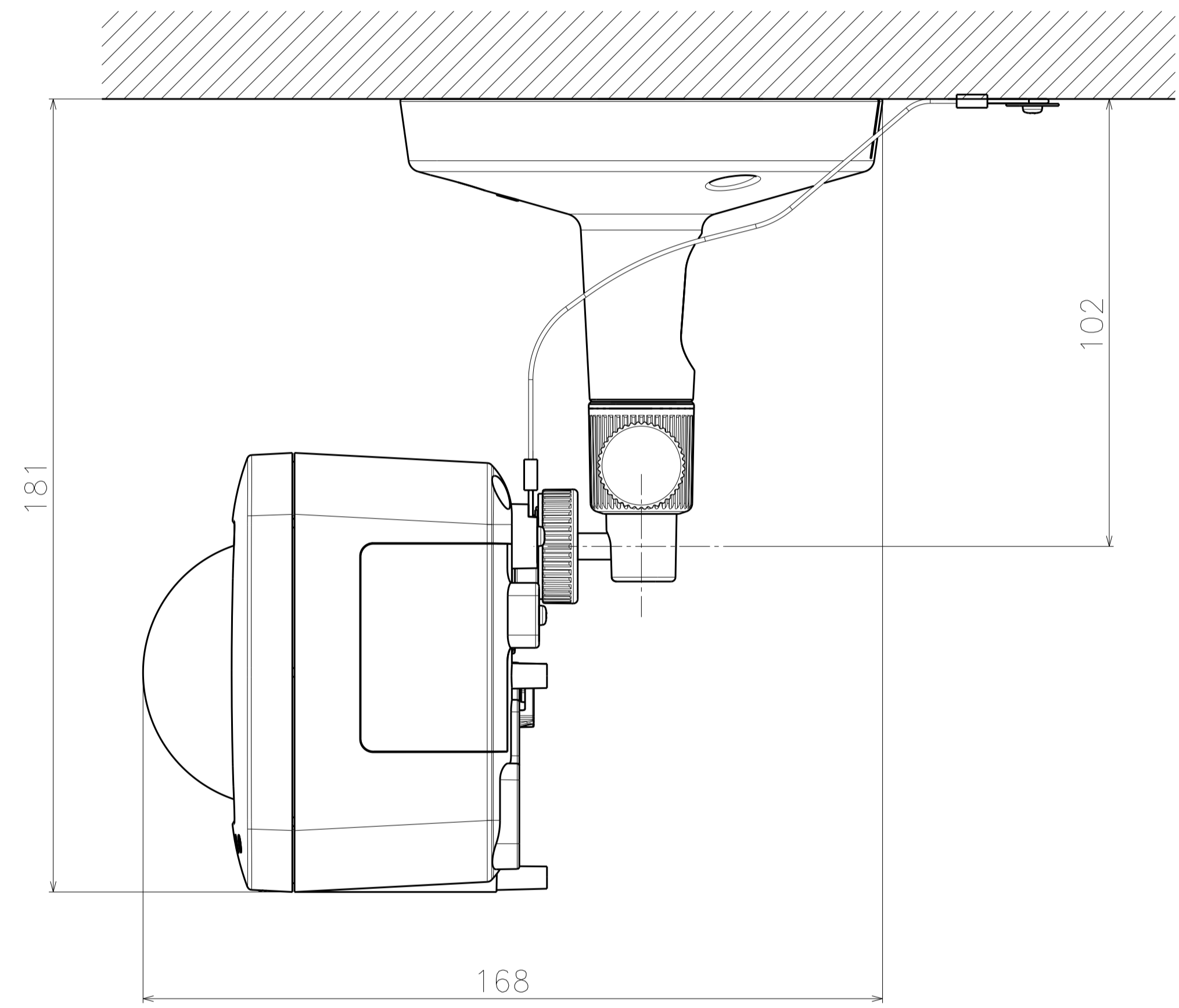


Sec A-A
(3 places)



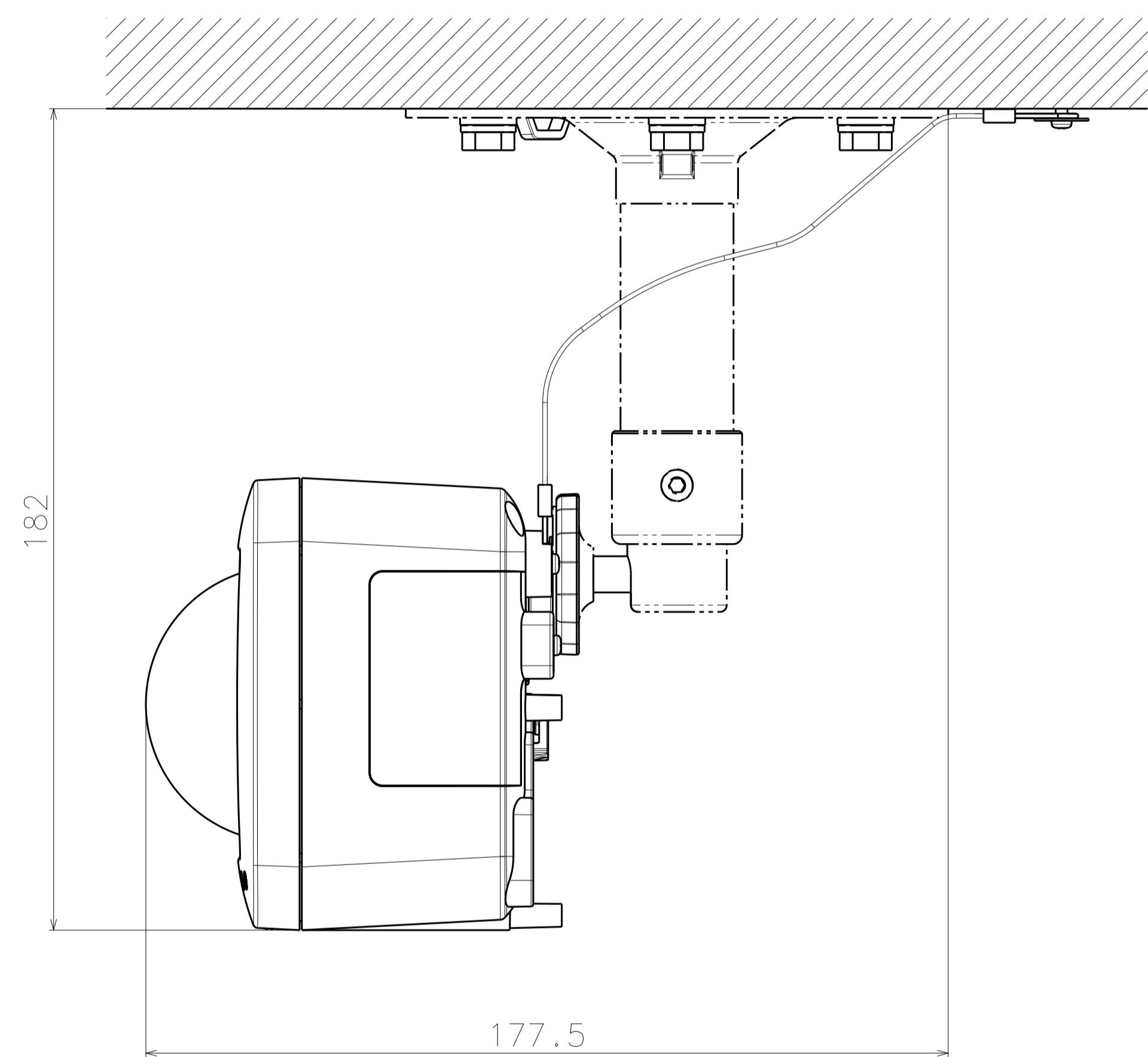
Mass: Approx. 120 g {0.26 lbs}

Model number	Model type
WV-B51300-F3	Wired
WV-B51300-F3W	Wireless

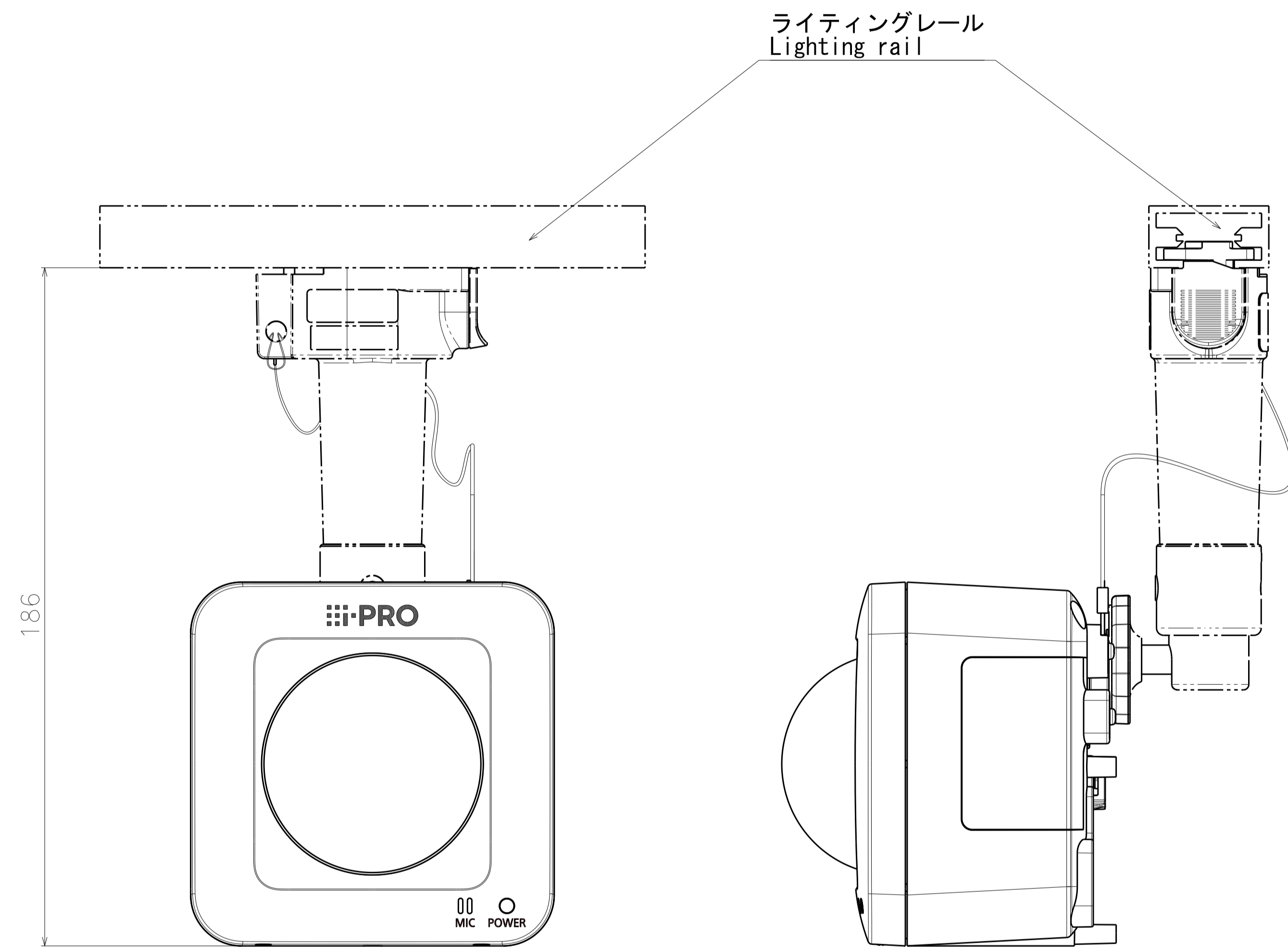


Model number
WV-B51300-F3
WV-B51300-F3W

金具との組み合わせ例
Example of combination with bracket



Attach to WV-QCL102-W



Attach to WV-QLR100-W

Model number
WV-B51300-F3
WV-B51300-F3W