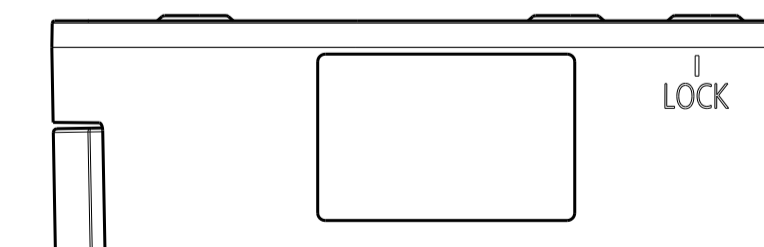


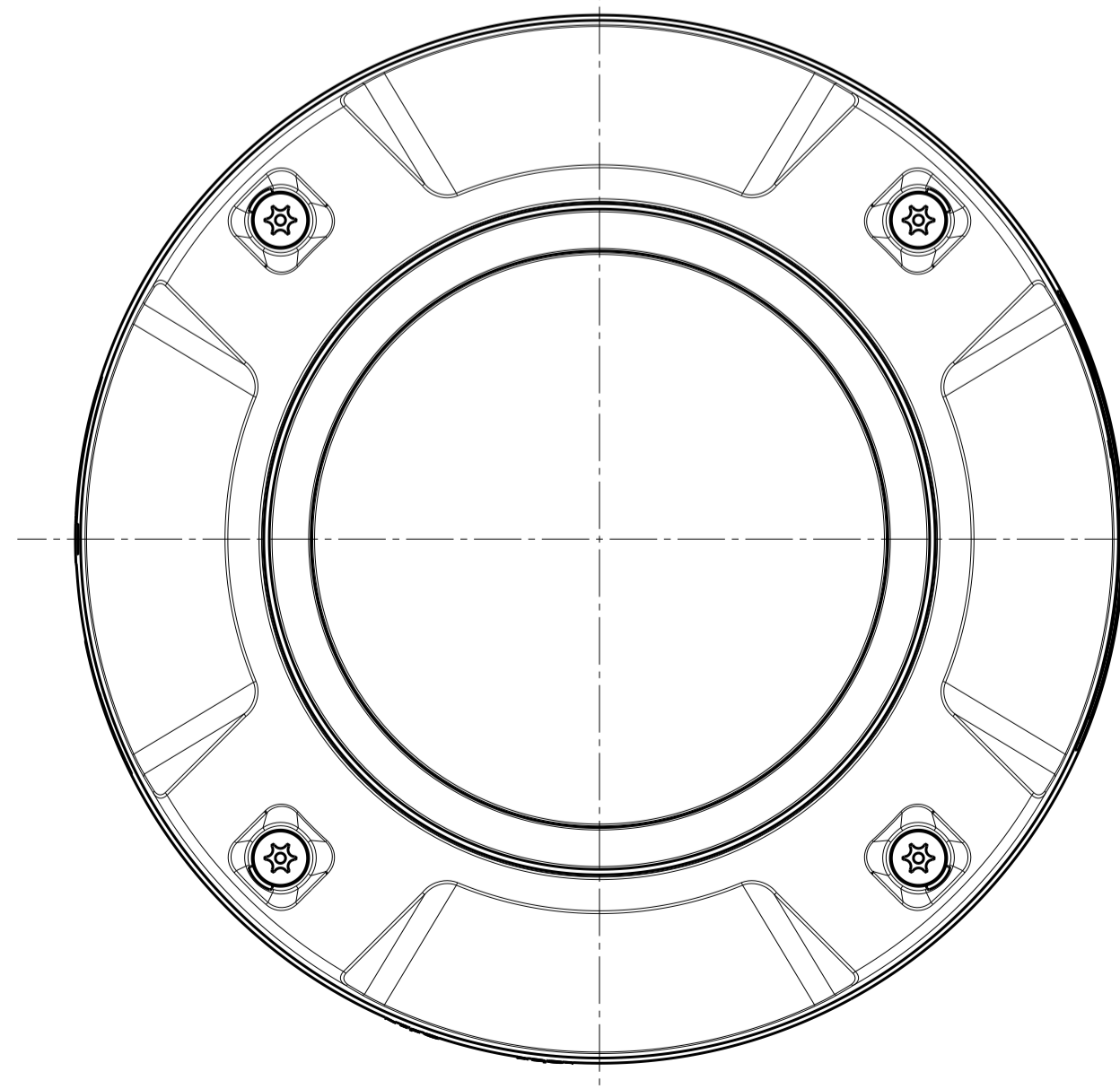
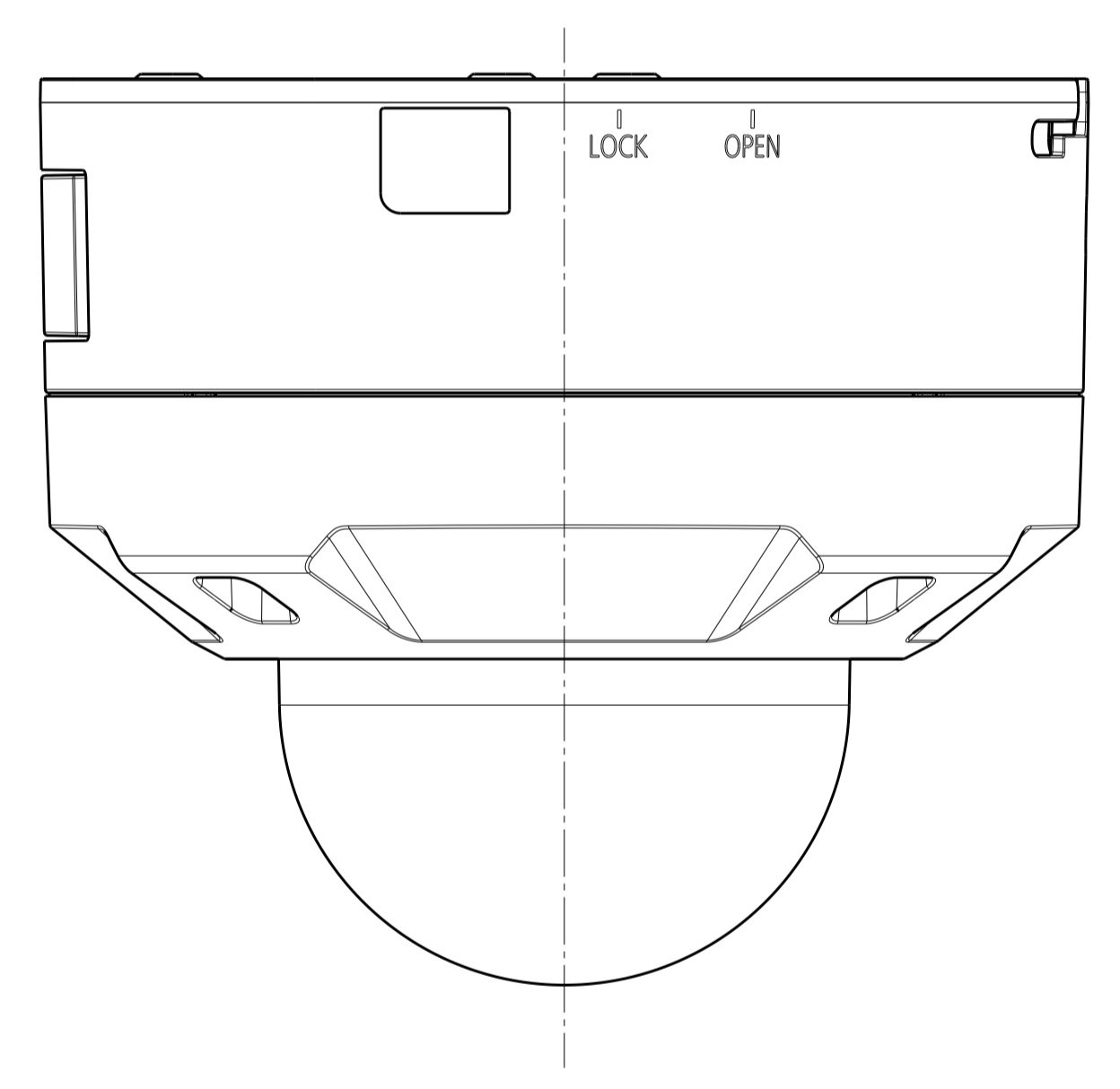
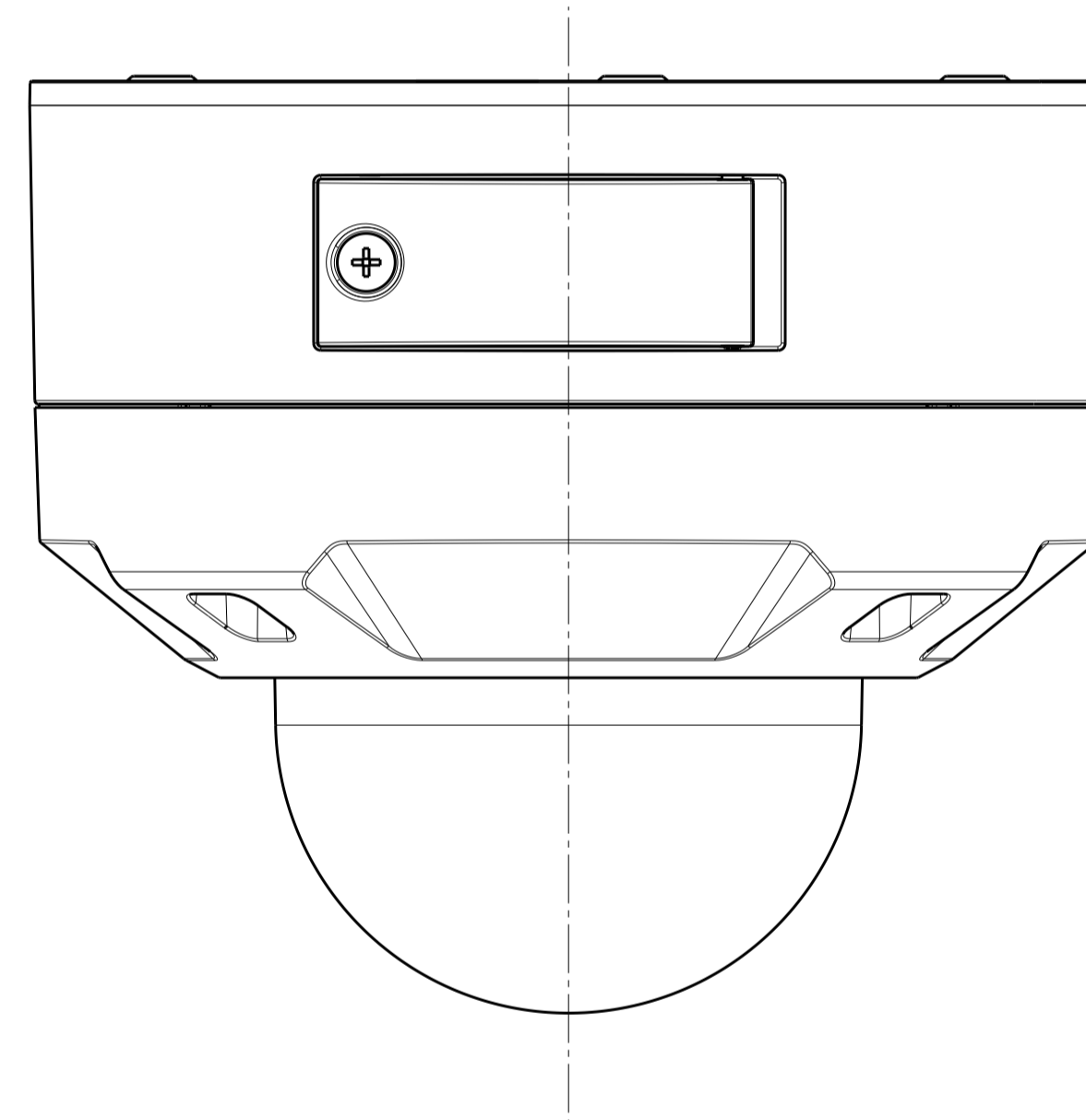
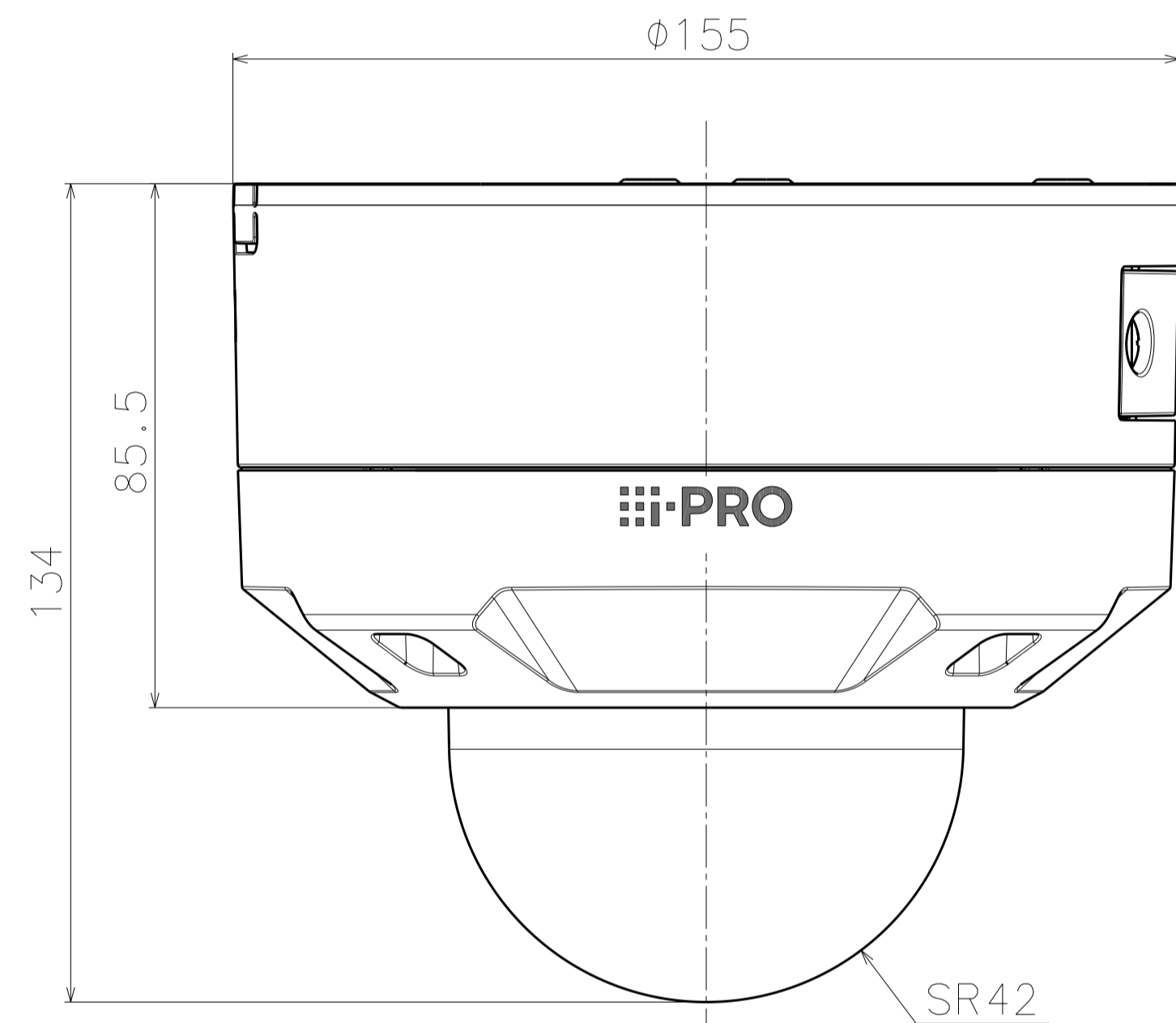
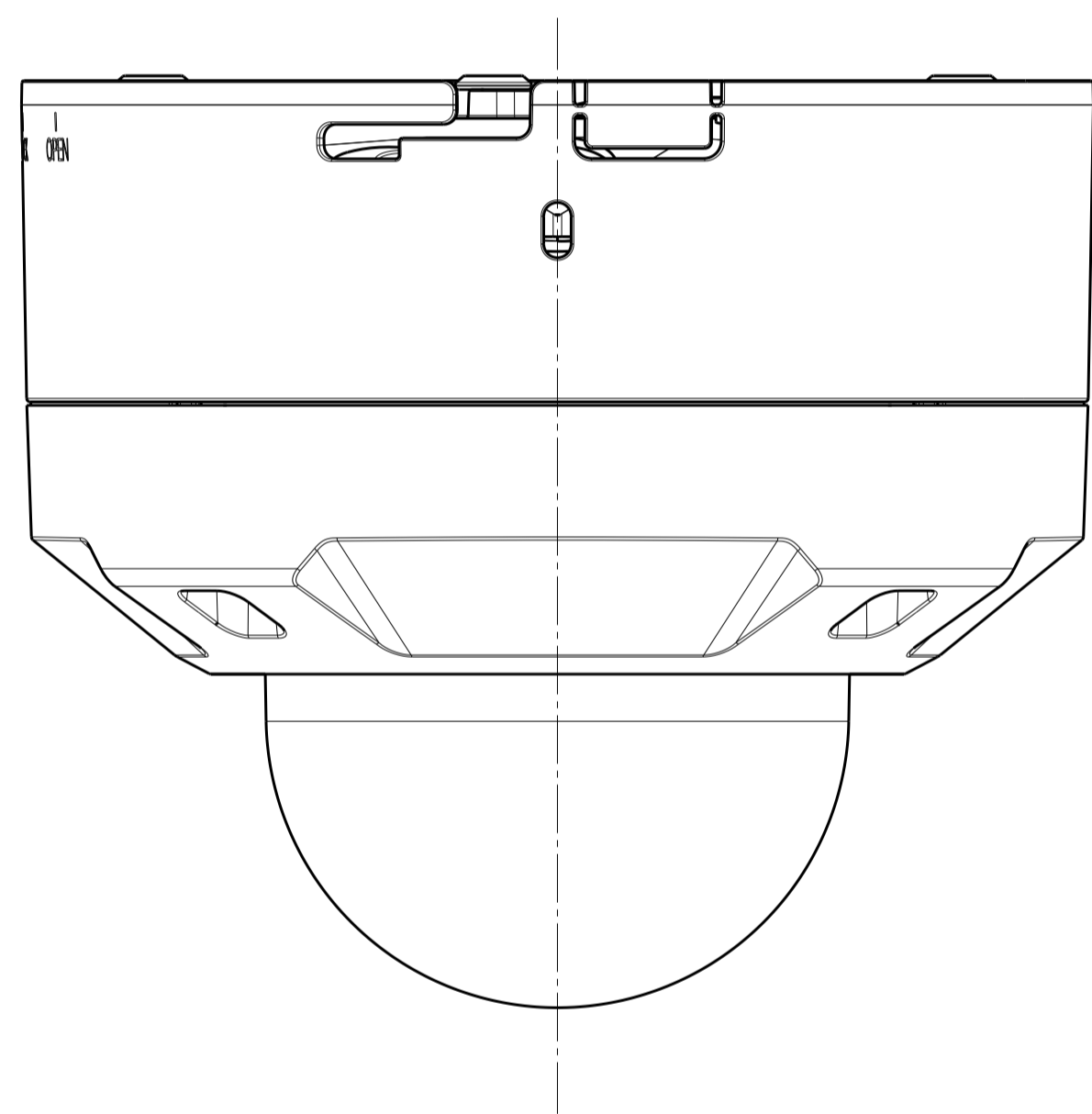
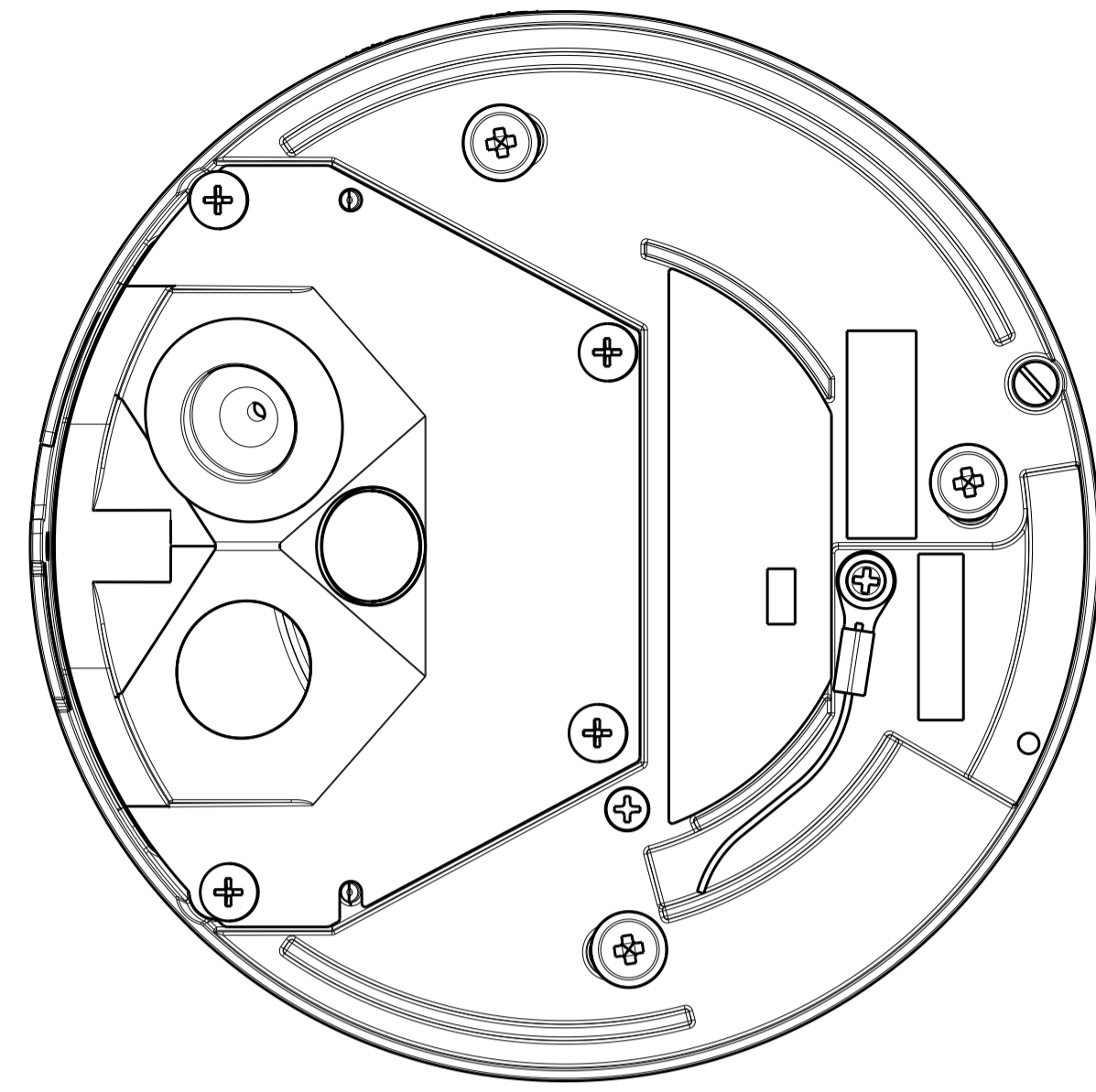
Subject
 WV-U65300-ZY
 WV-U65300-ZYG
 WV-U65300-ZYV
 WV-U65300-ZYGV

Model number	Dome type
WV-U65300-ZY	Clear dome
WV-U65300-ZYG	Smoke dome
WV-B65300-ZY	Clear dome
WV-S65300-ZYJ	Clear dome
WV-U65300-ZYV	Clear dome
WV-U65300-ZYGV	Smoke dome

Mass : Approx. 1.5 kg {3.31 lbs}

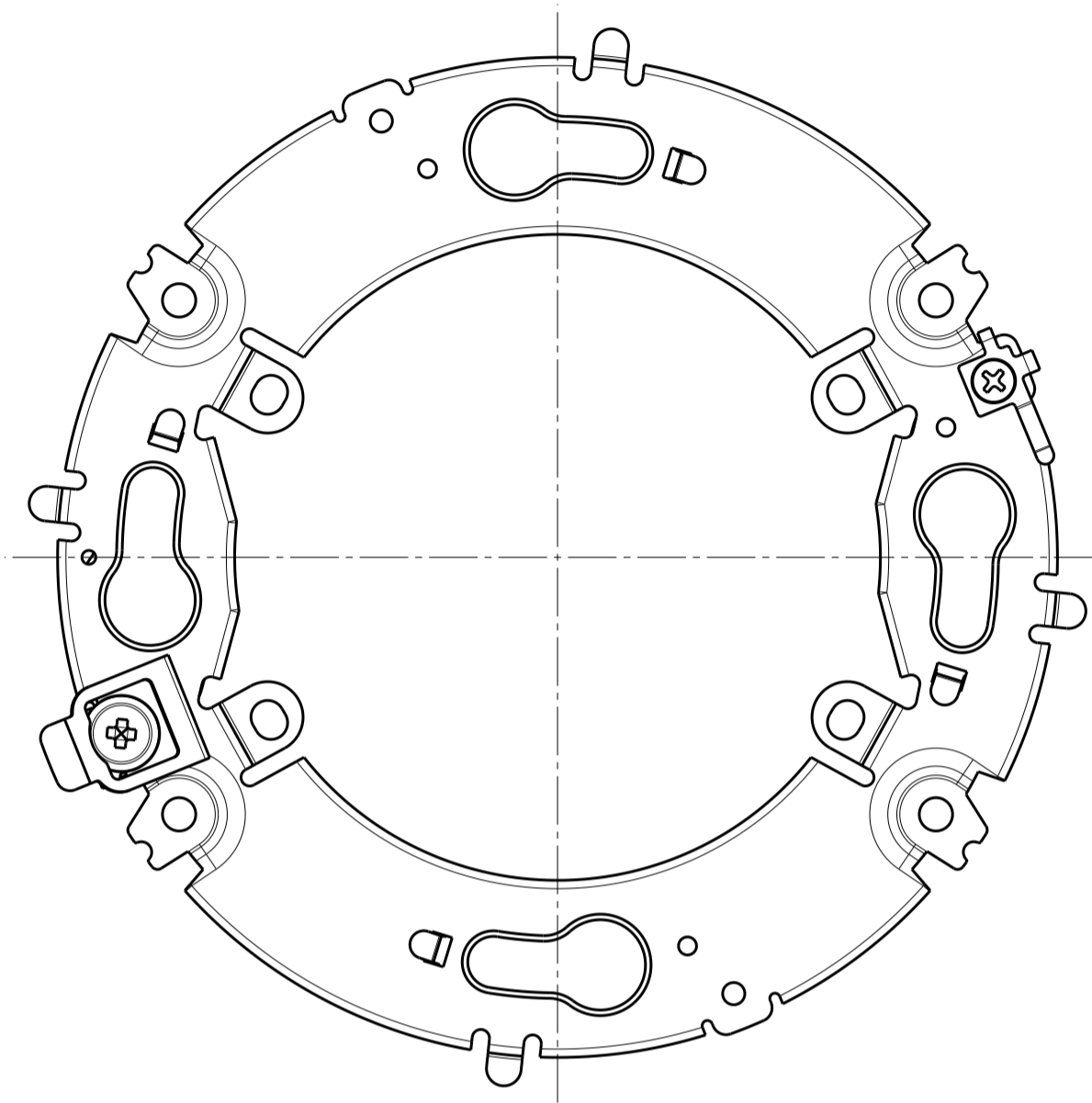


Subject
 WV-B65300-ZY
 WV-S65300-ZYJ
 (No FCC label / ST)

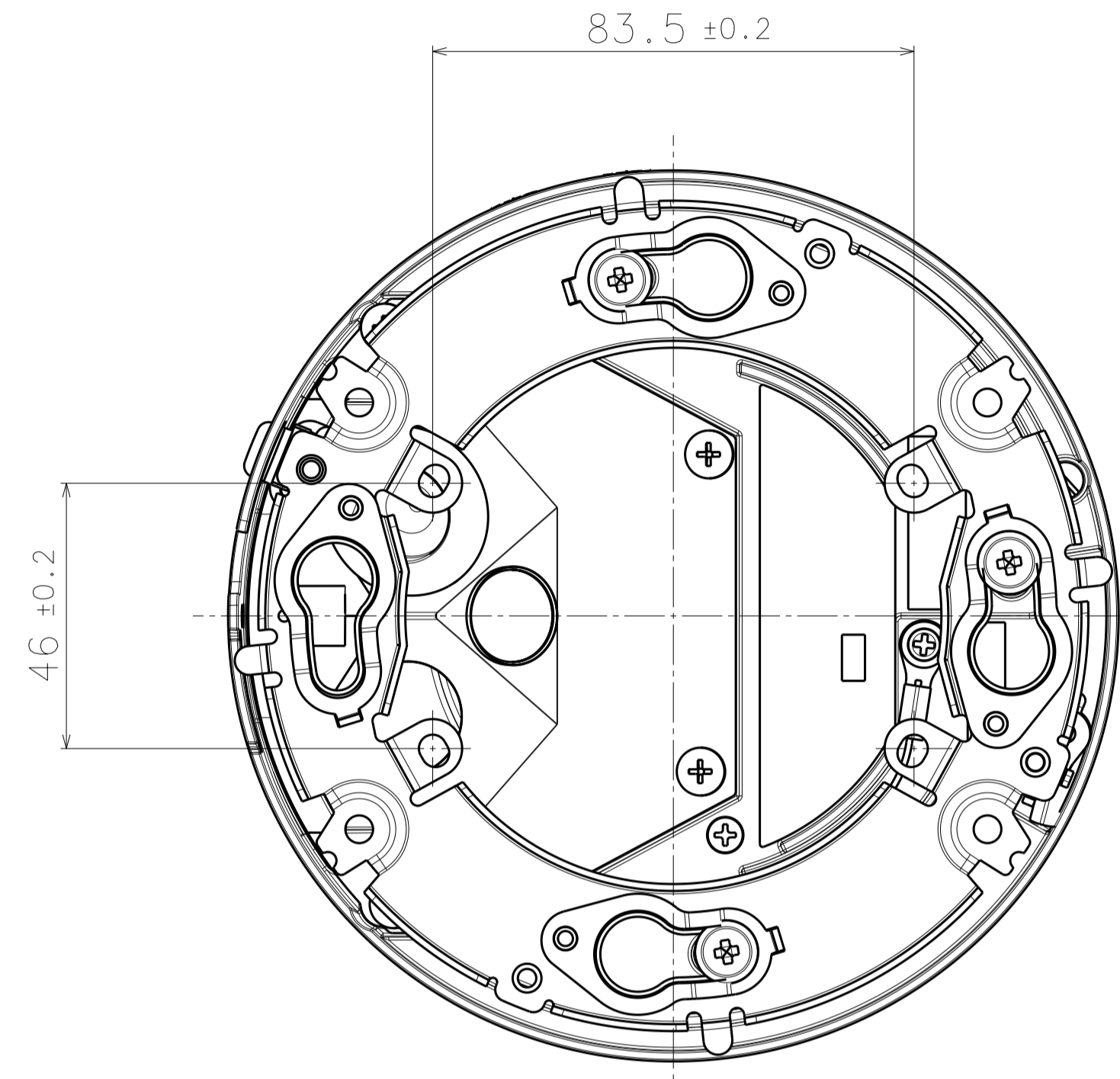


Model number	Dome type
WV-S65300-ZY	Clear dome
WV-S65300-ZYG	Smoke dome

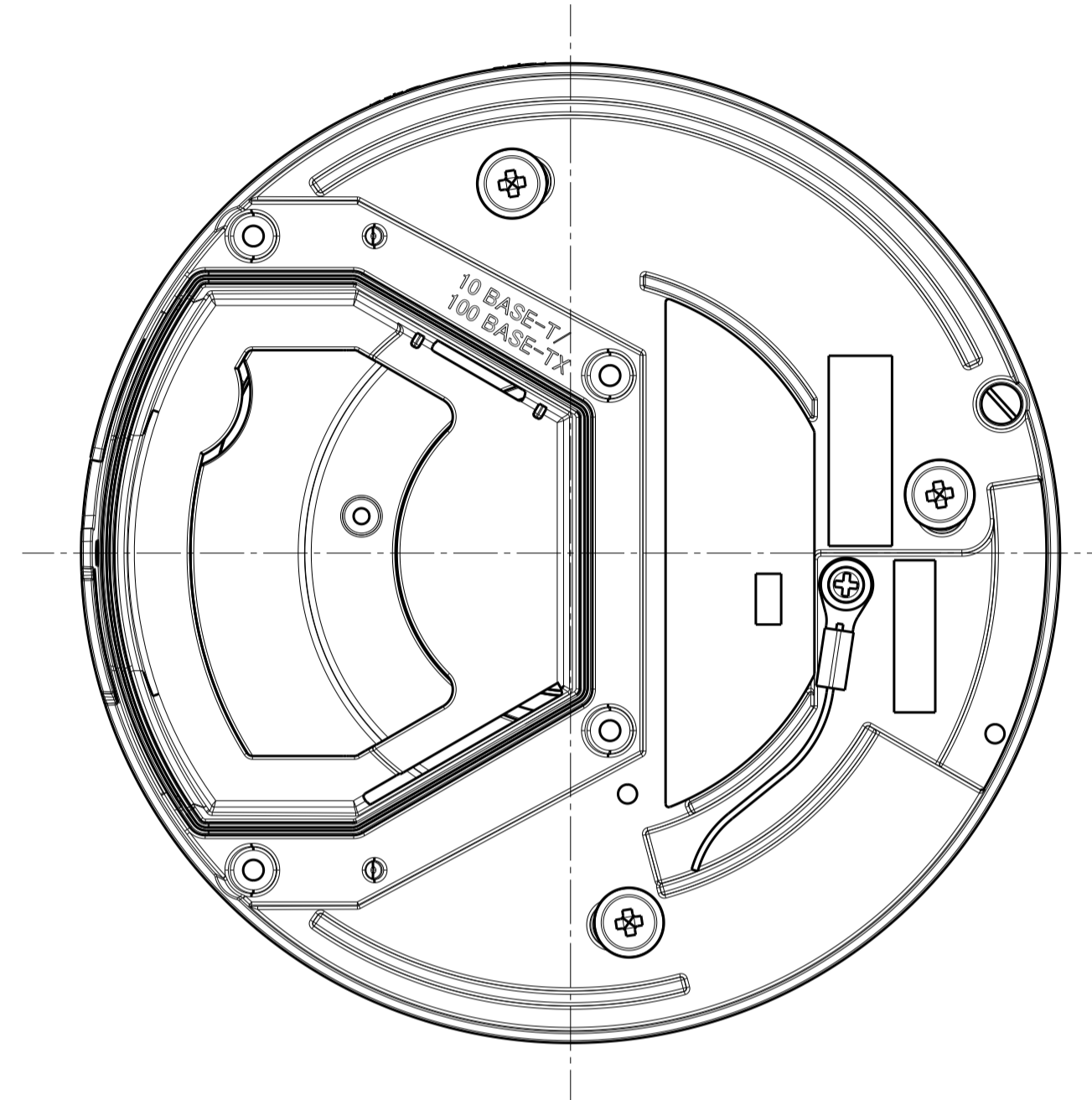
Mass : Approx. 1.5 kg {3.31 lbs}



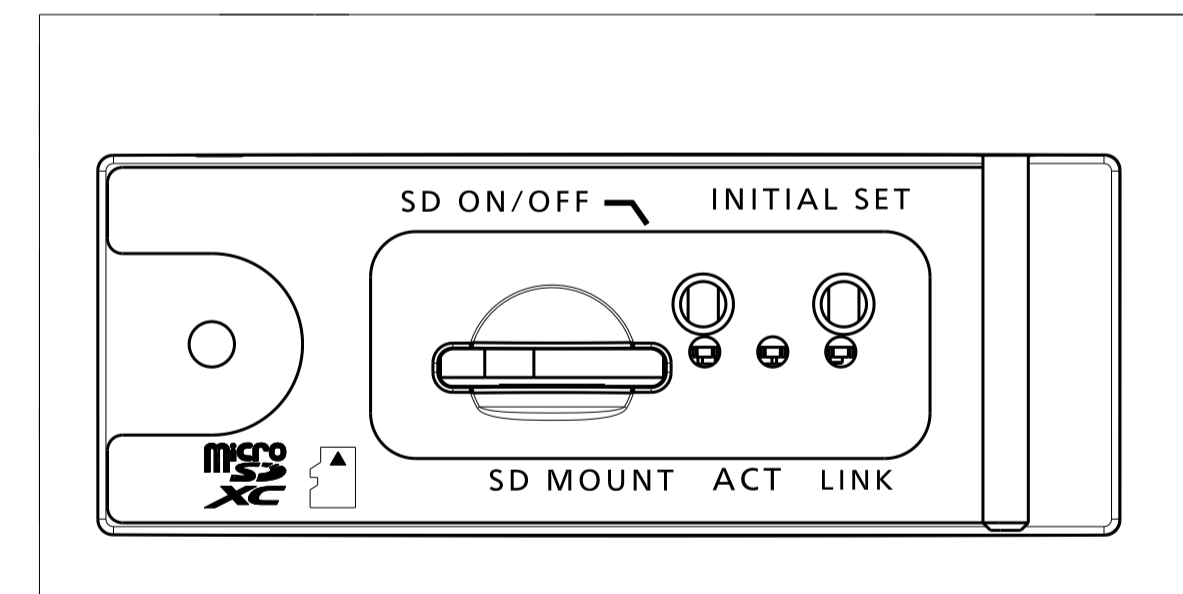
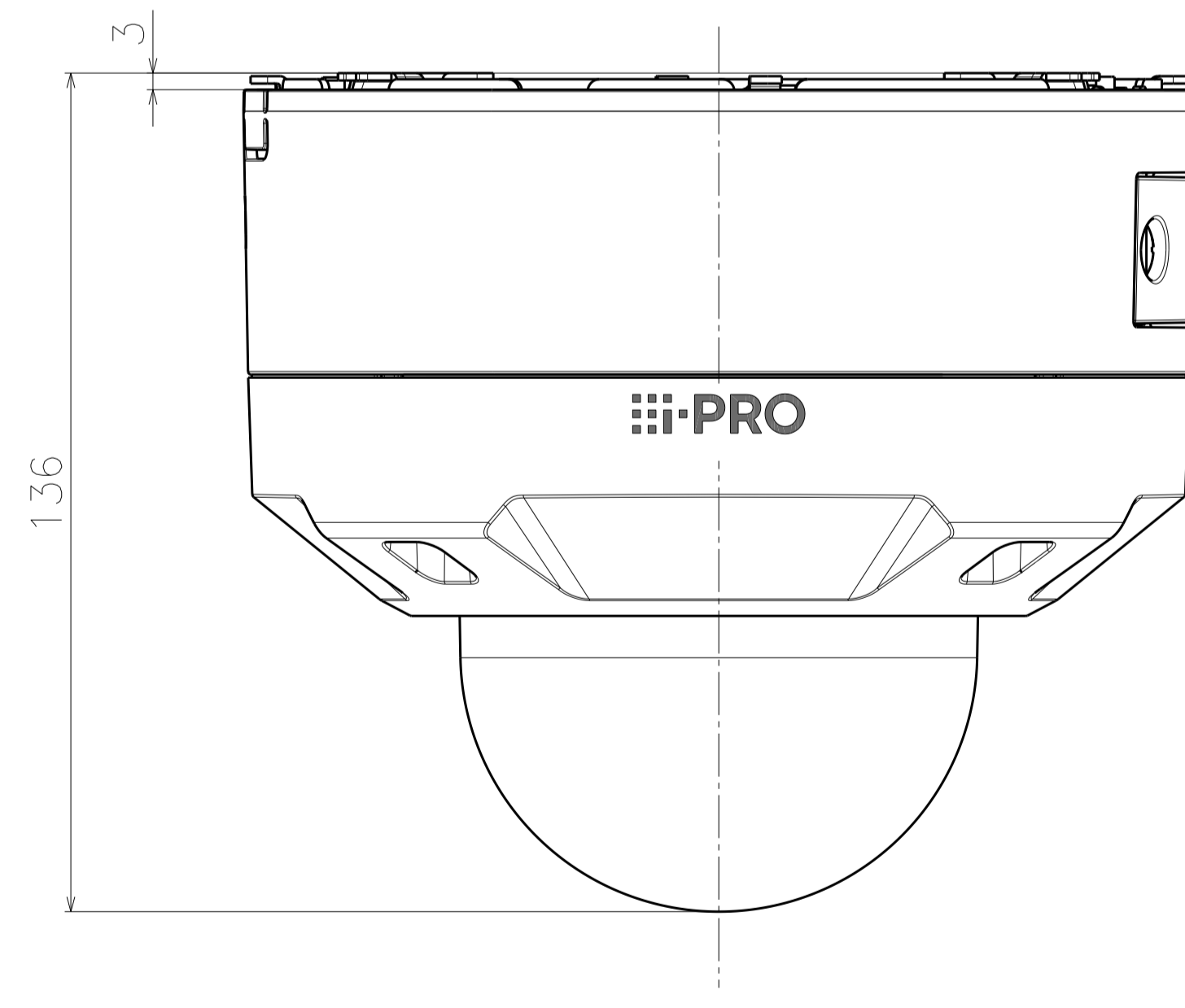
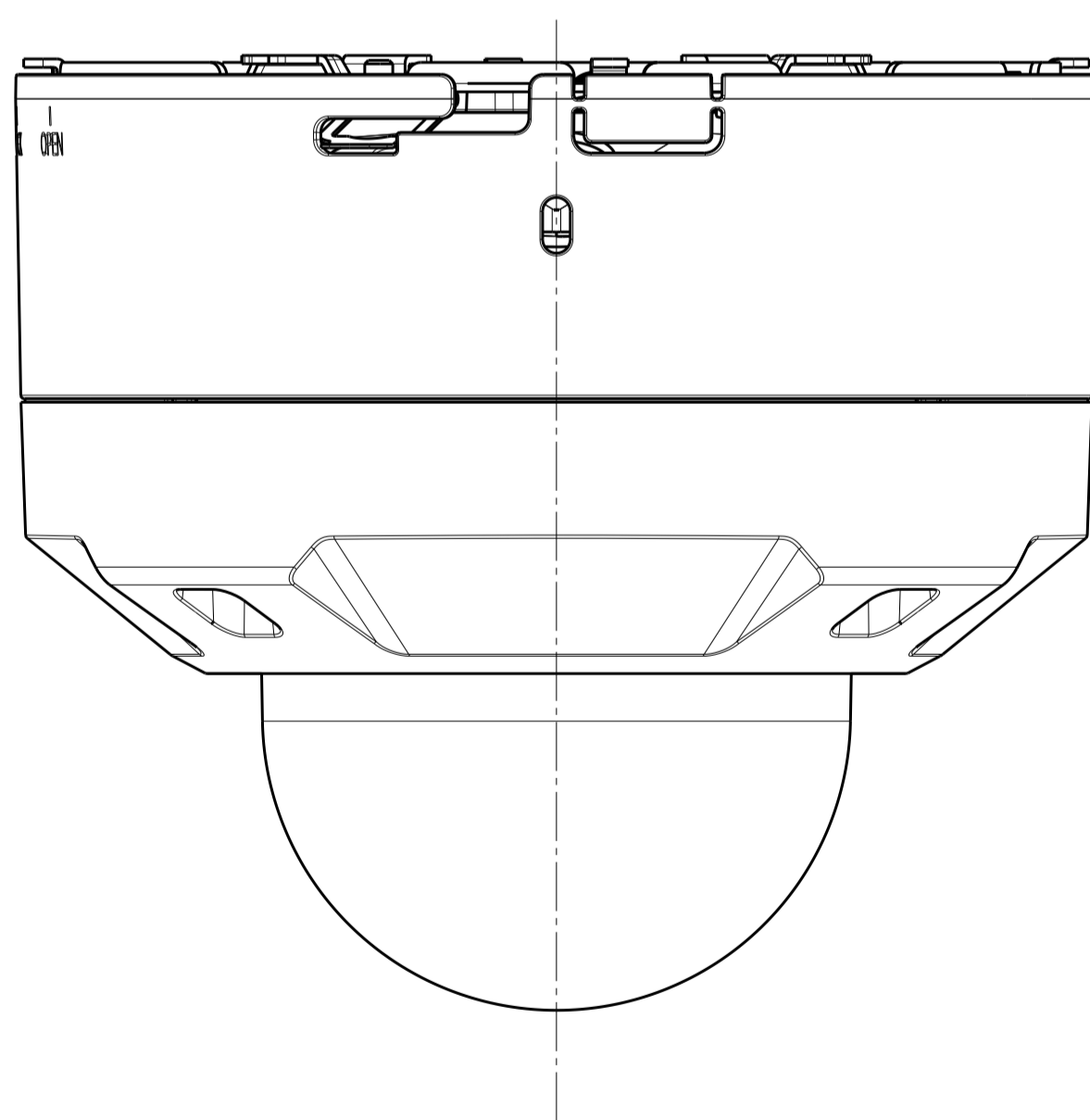
Attachment plate



With Attachment plate



With the grommet cover removed

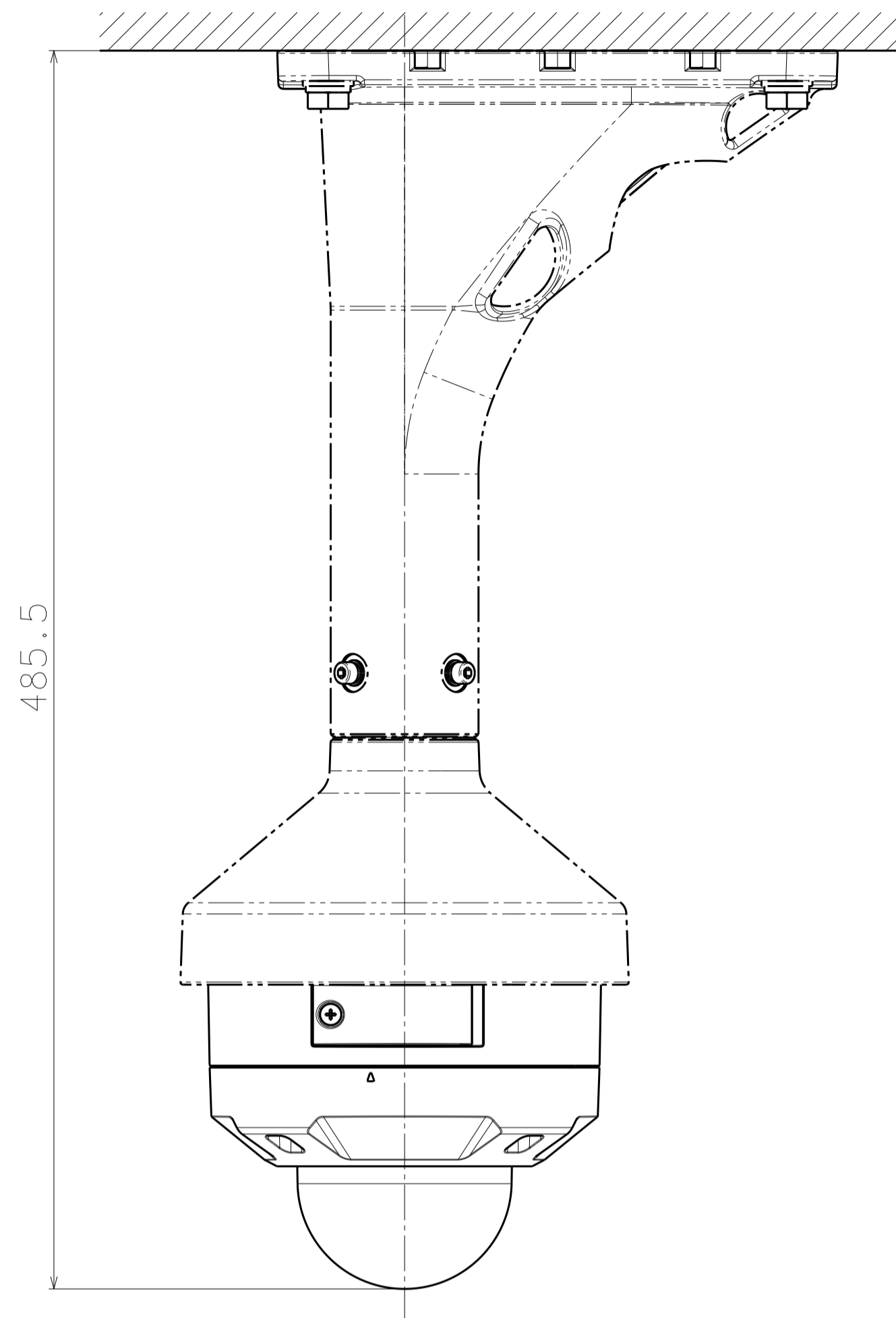


Inside of SD cover
(S=2:1)

- Model number
- WV-U65300-ZY
- WV-U65300-ZYG
- WV-B65300-ZY
- WV-S65300-ZY
- WV-S65300-ZYG
- WV-S65300-ZYJ
- WV-U65300-ZYV
- WV-U65300-ZYGV

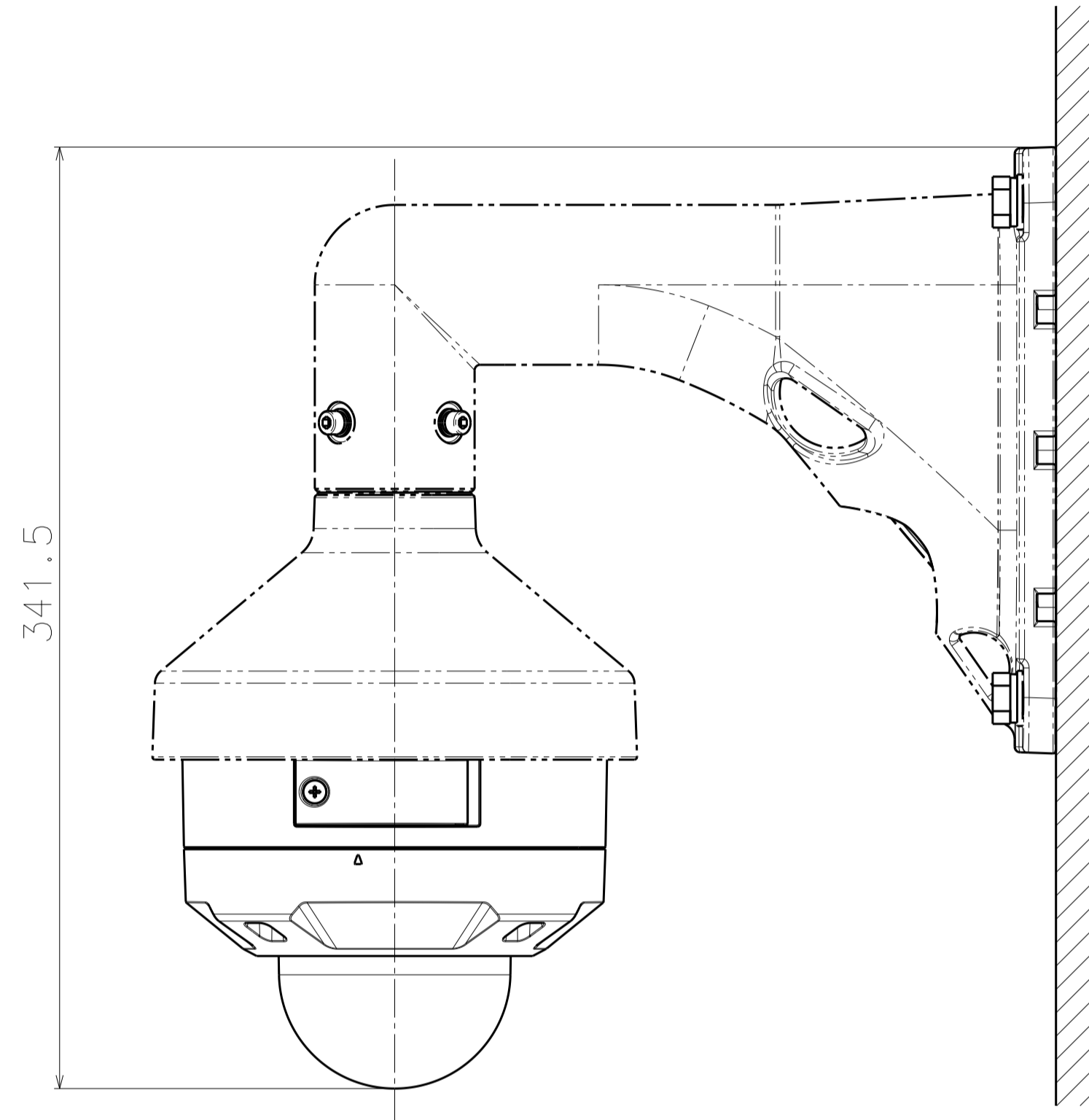
Mass : Approx. 1.6 kg {3.53 lbs} (When using the attachment plate)

金具との組み合わせ例
Example of combination with bracket



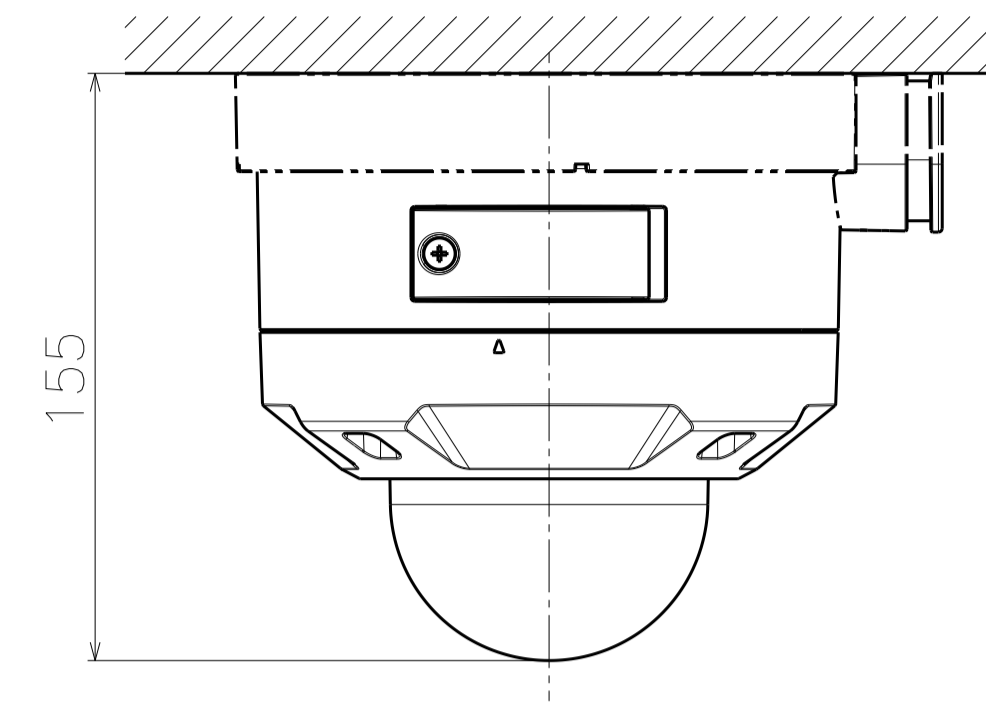
Attach to WV-QCL501** & WV-QSR504**

	投影面積/Projected area
側面図/Side-view	0.051 (m ²)
平面図/TOP-view	0.035 (m ²)



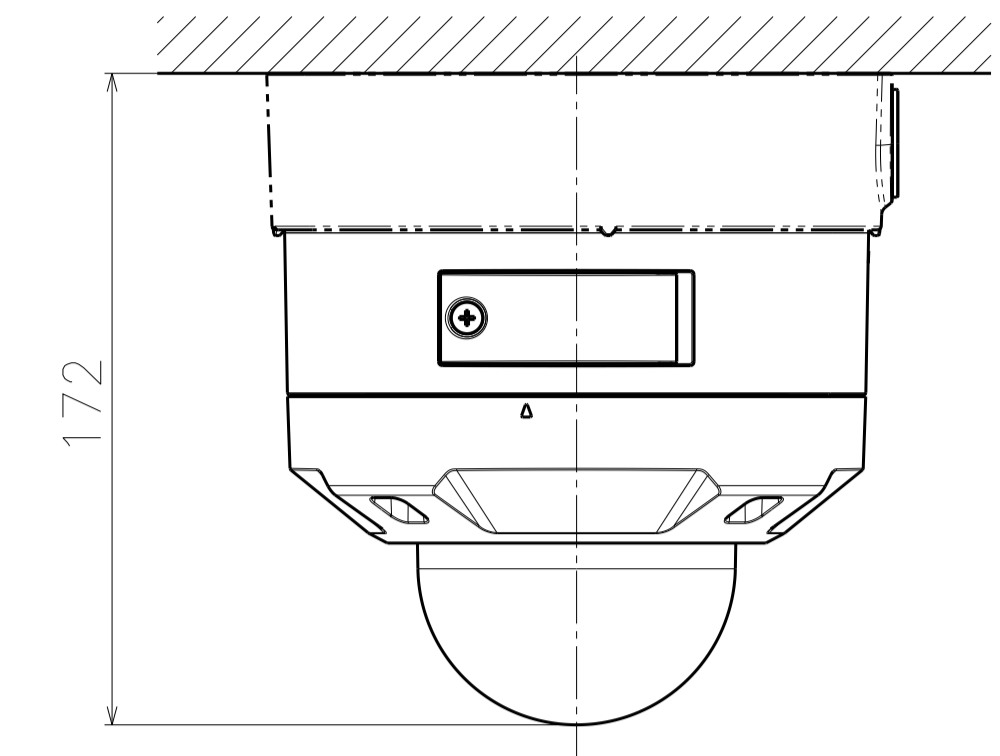
Attach to WV-QWL501** & WV-QSR501**

	投影面積/Projected area
側面図/Side-view	0.053 (m ²)
平面図/TOP-view	0.034 (m ²)



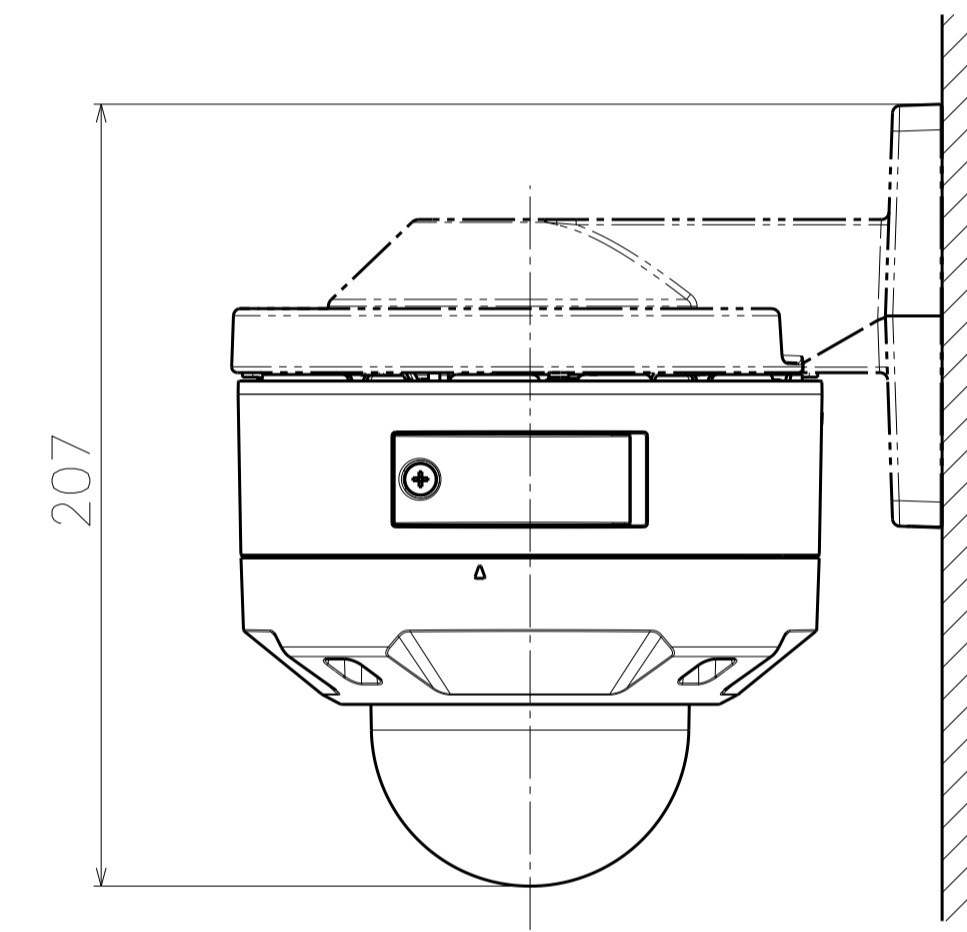
Attach to WV-QJB504**

	投影面積/Projected area
側面図/Side-view	0.020 (m ²)



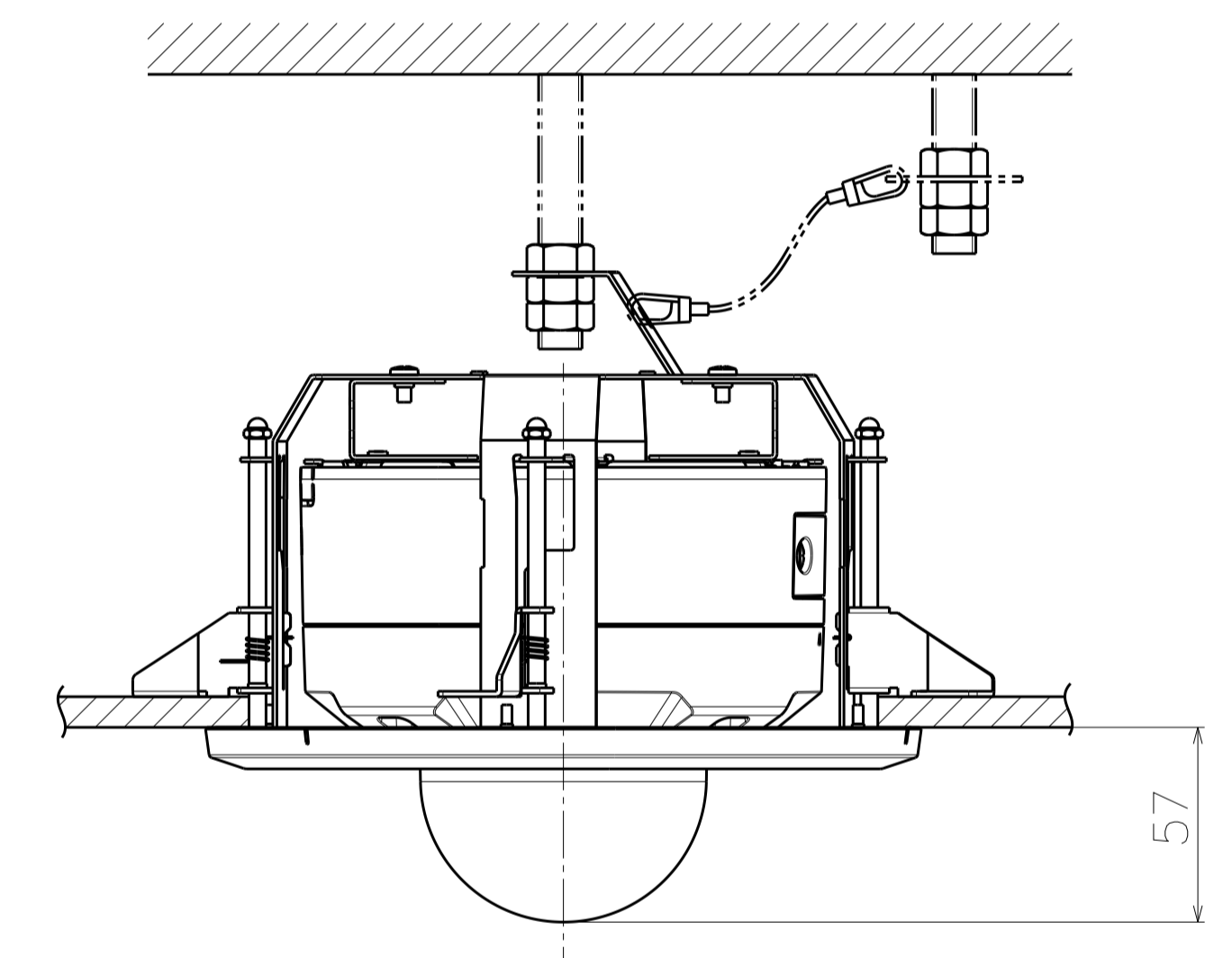
Attach to WV-QJB501**

	投影面積/Projected area
側面図/Side-view	0.022 (m ²)

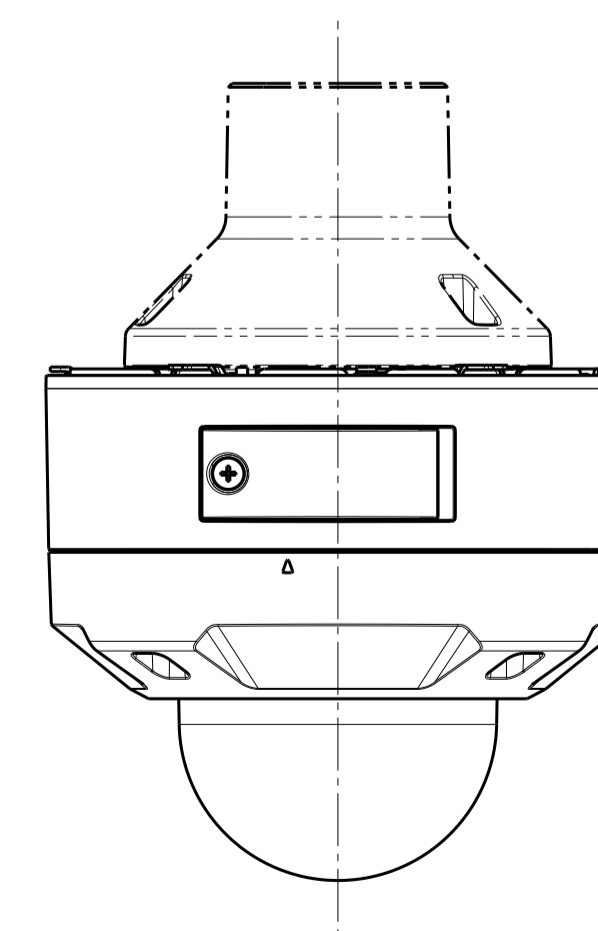


Attach to WV-QWL500**

	投影面積/Projected area
側面図/Side-view	0.024 (m ²)



Attach to WV-QEM502**



Attach to WV-QCL100**

Model number
WV-U65300-ZY
WV-U65300-ZYG
WV-B65300-ZY
WV-S65300-ZY
WV-S65300-ZYG
WV-S65300-ZYJ
WV-U65300-ZYV
WV-U65300-ZYGV