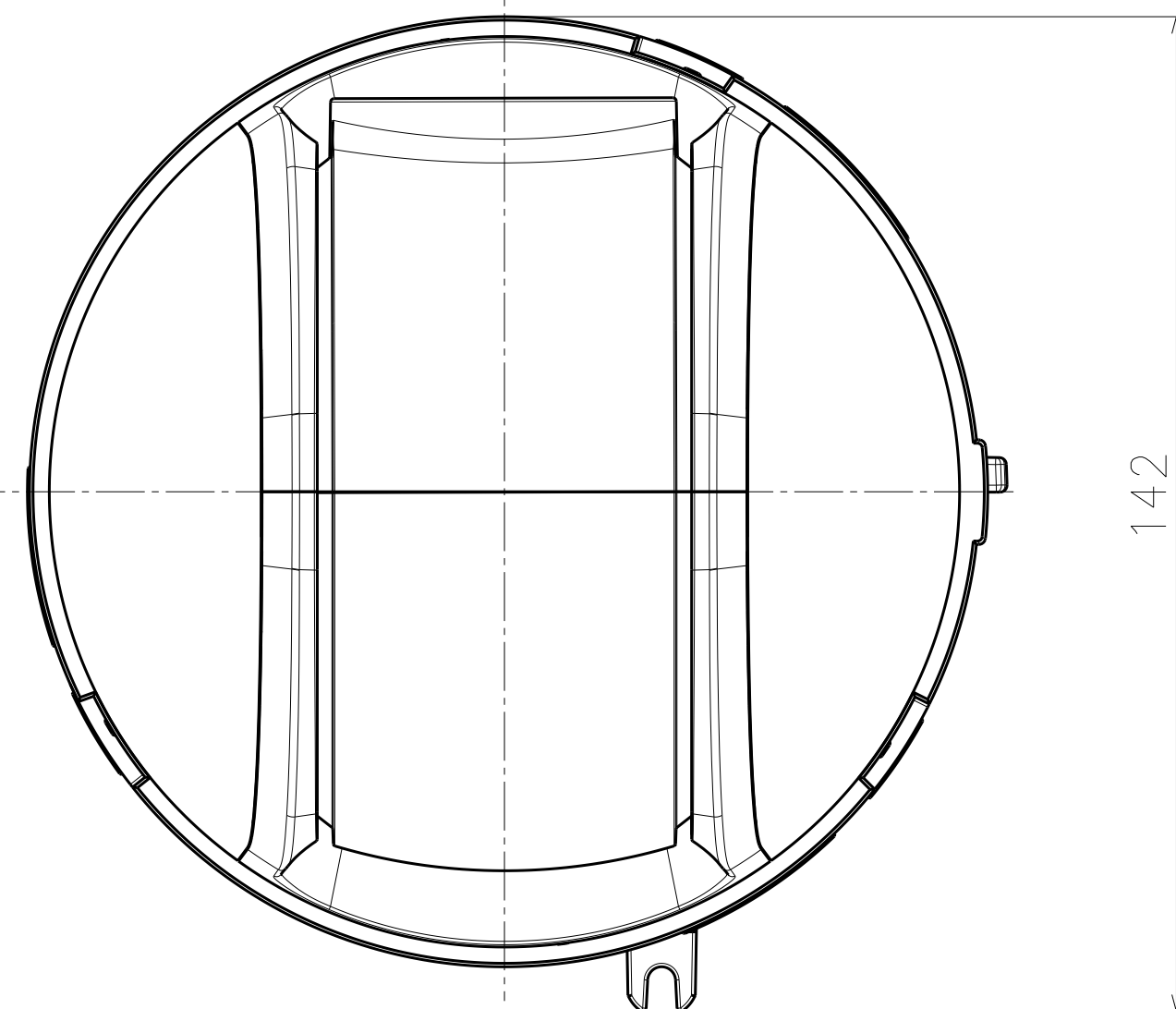
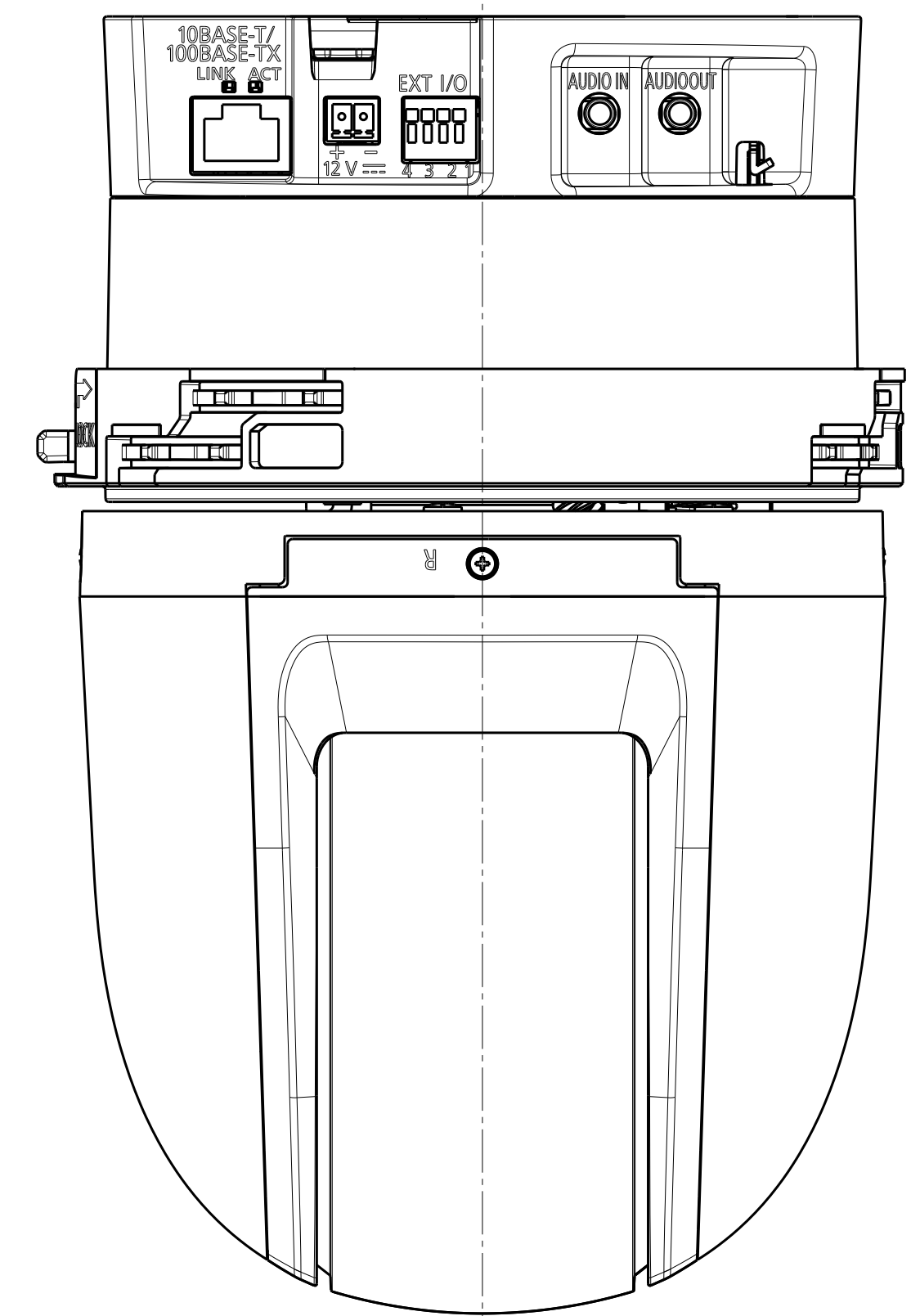
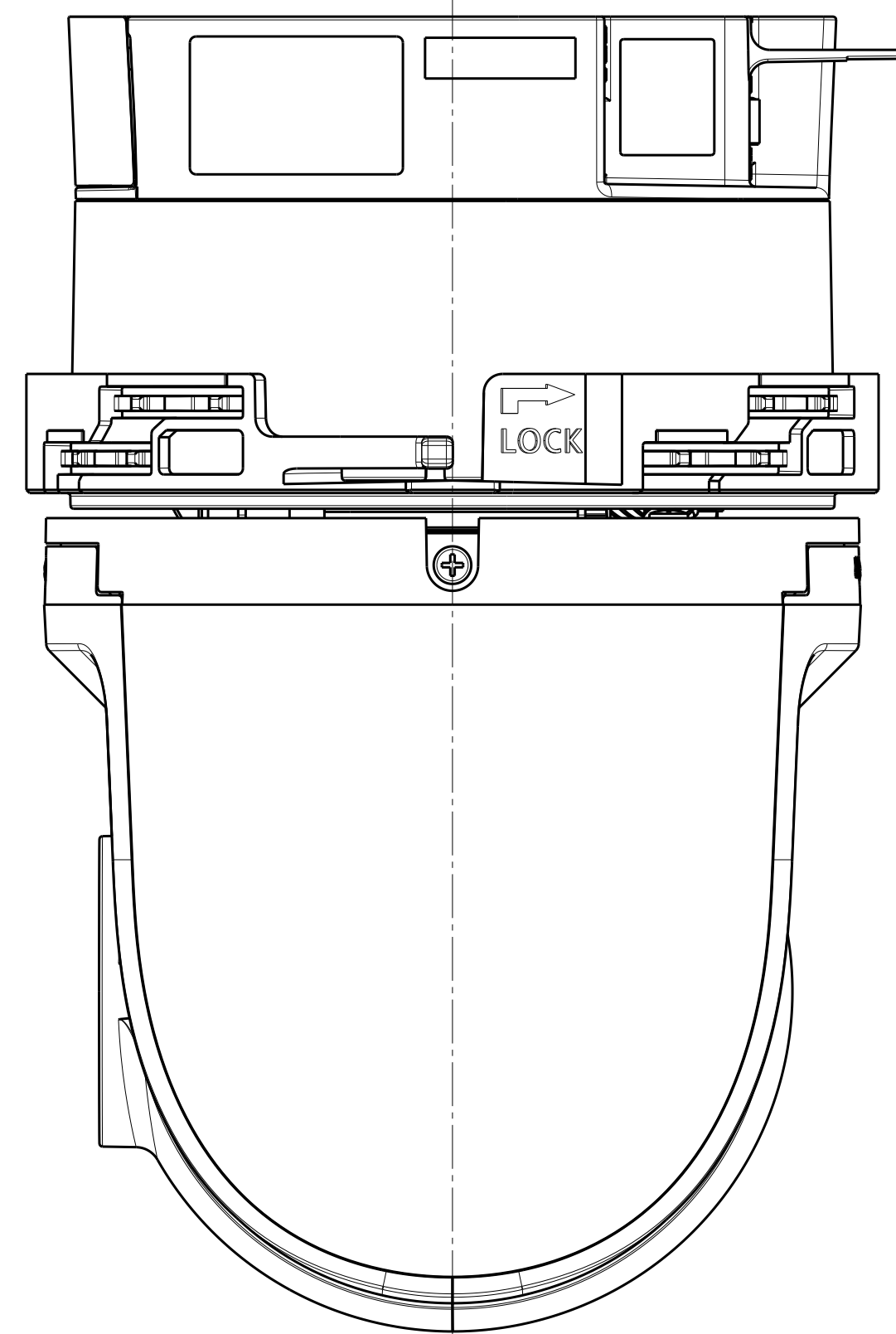
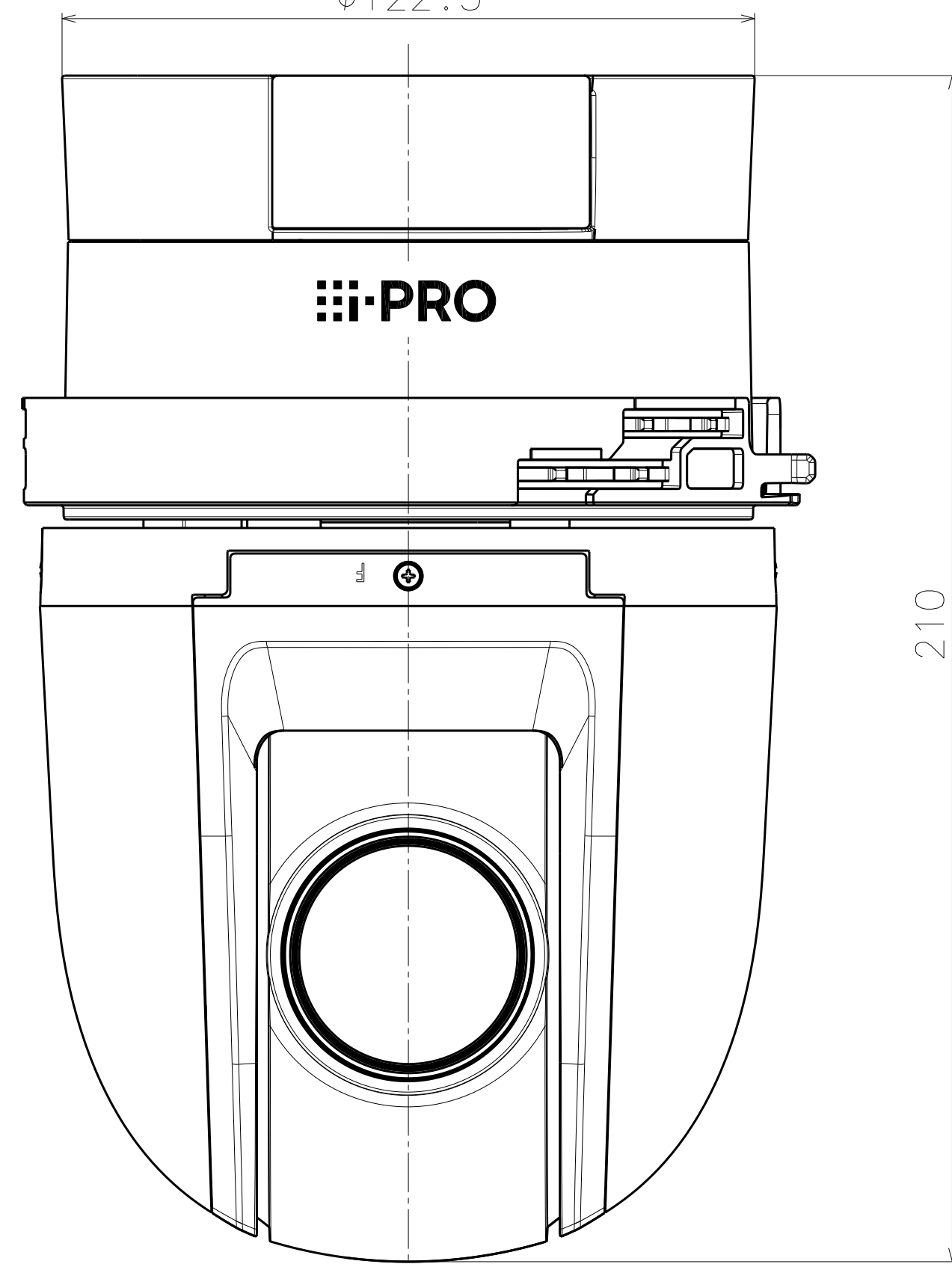
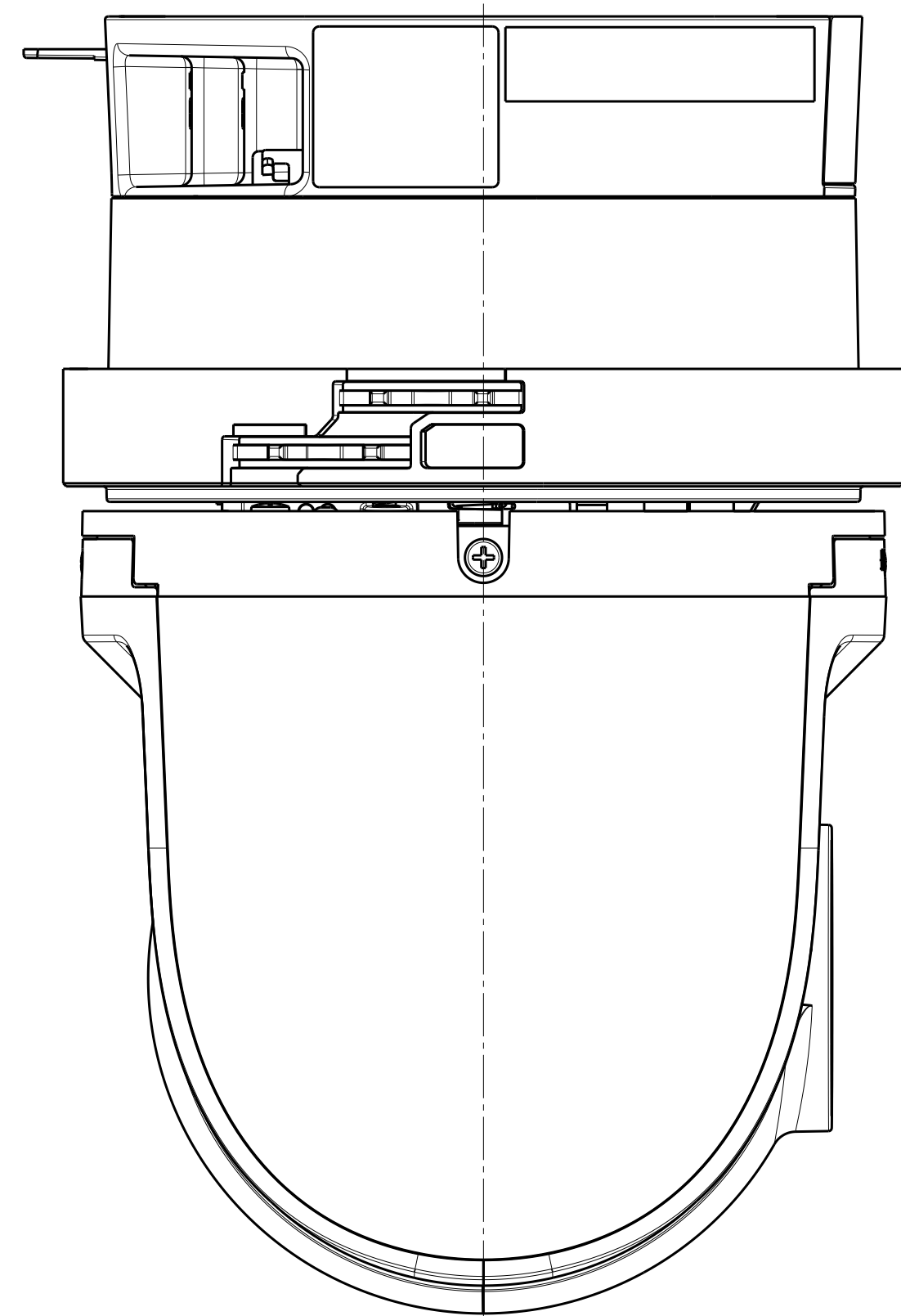
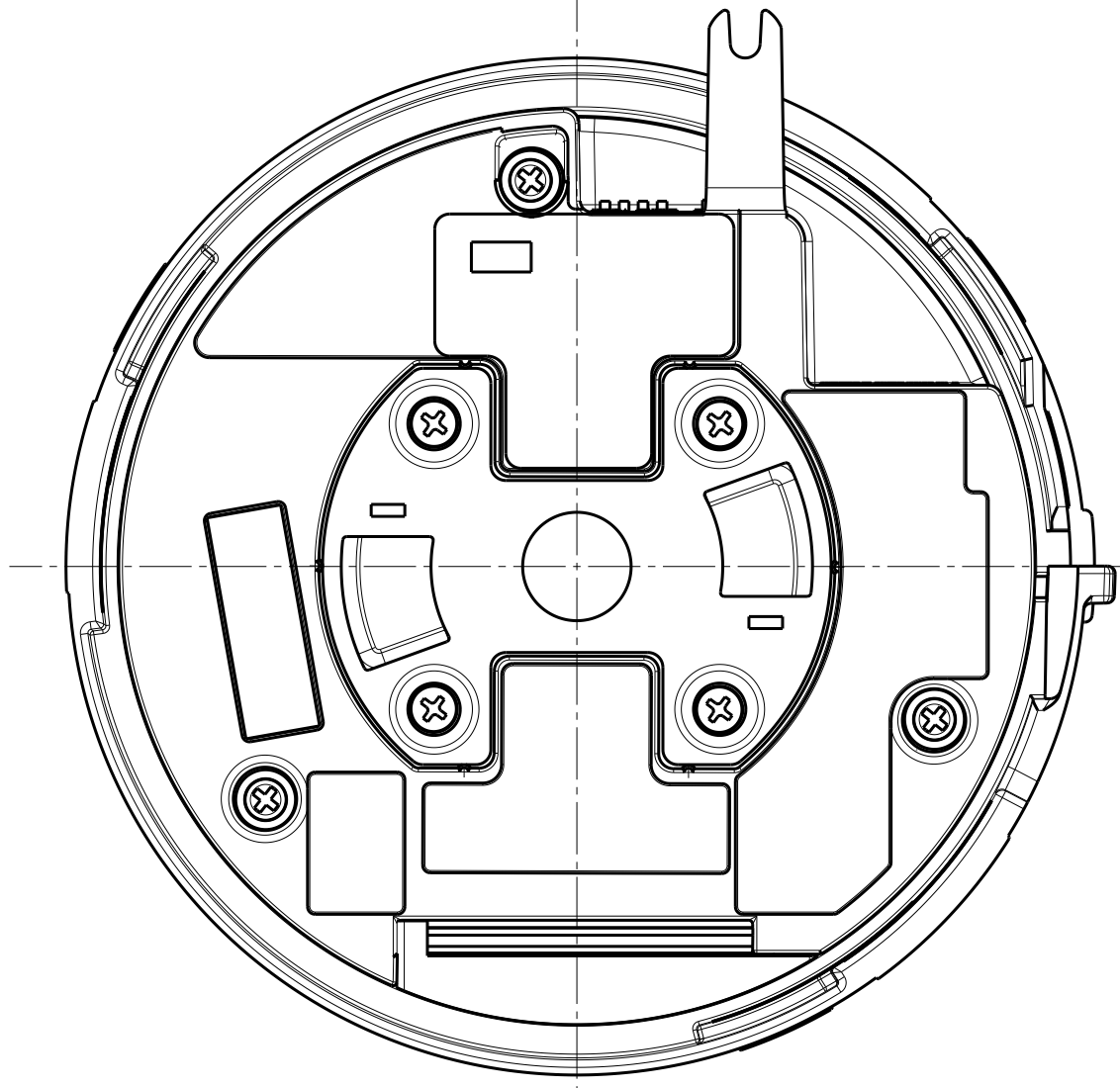


Ø122.5

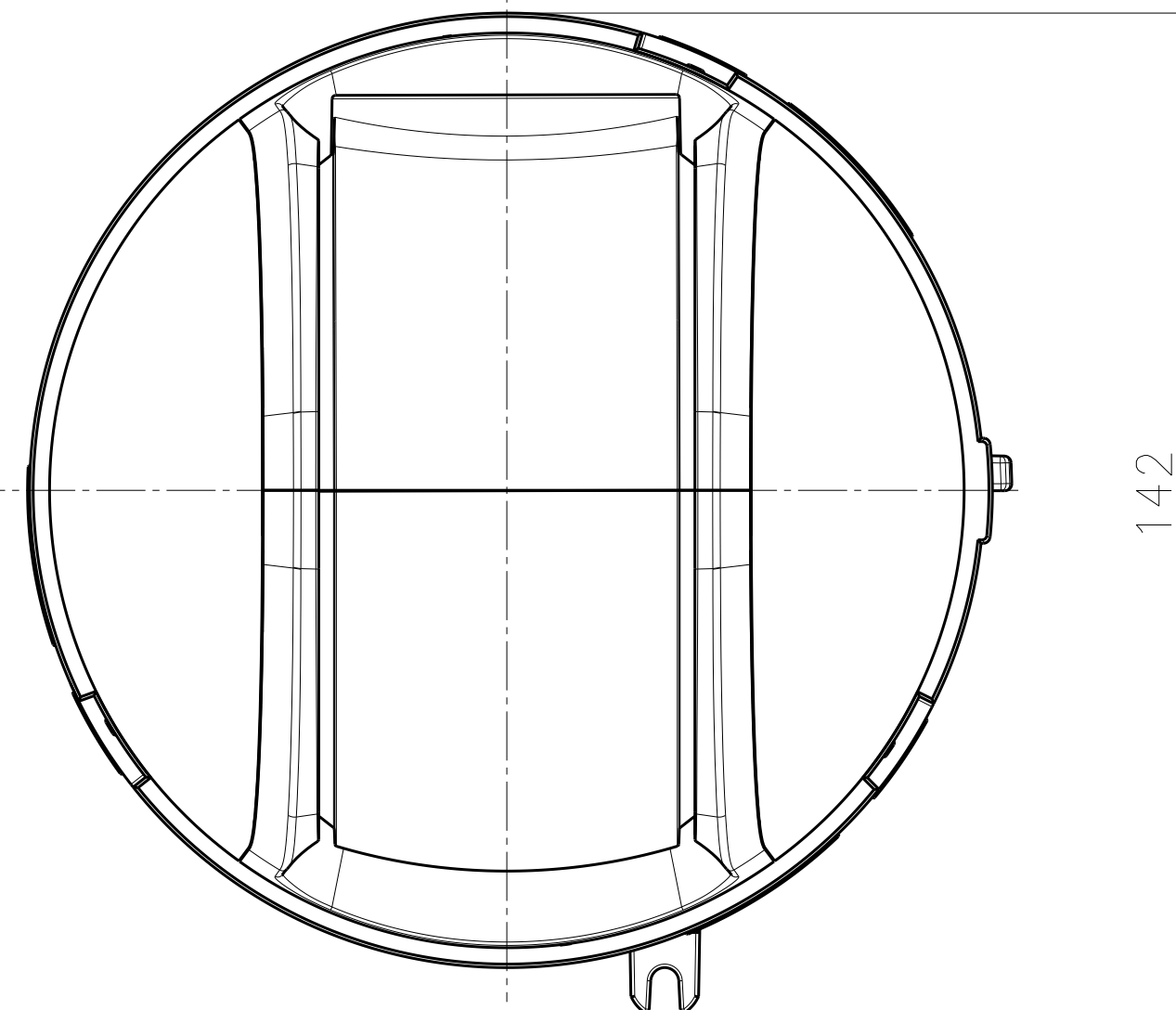
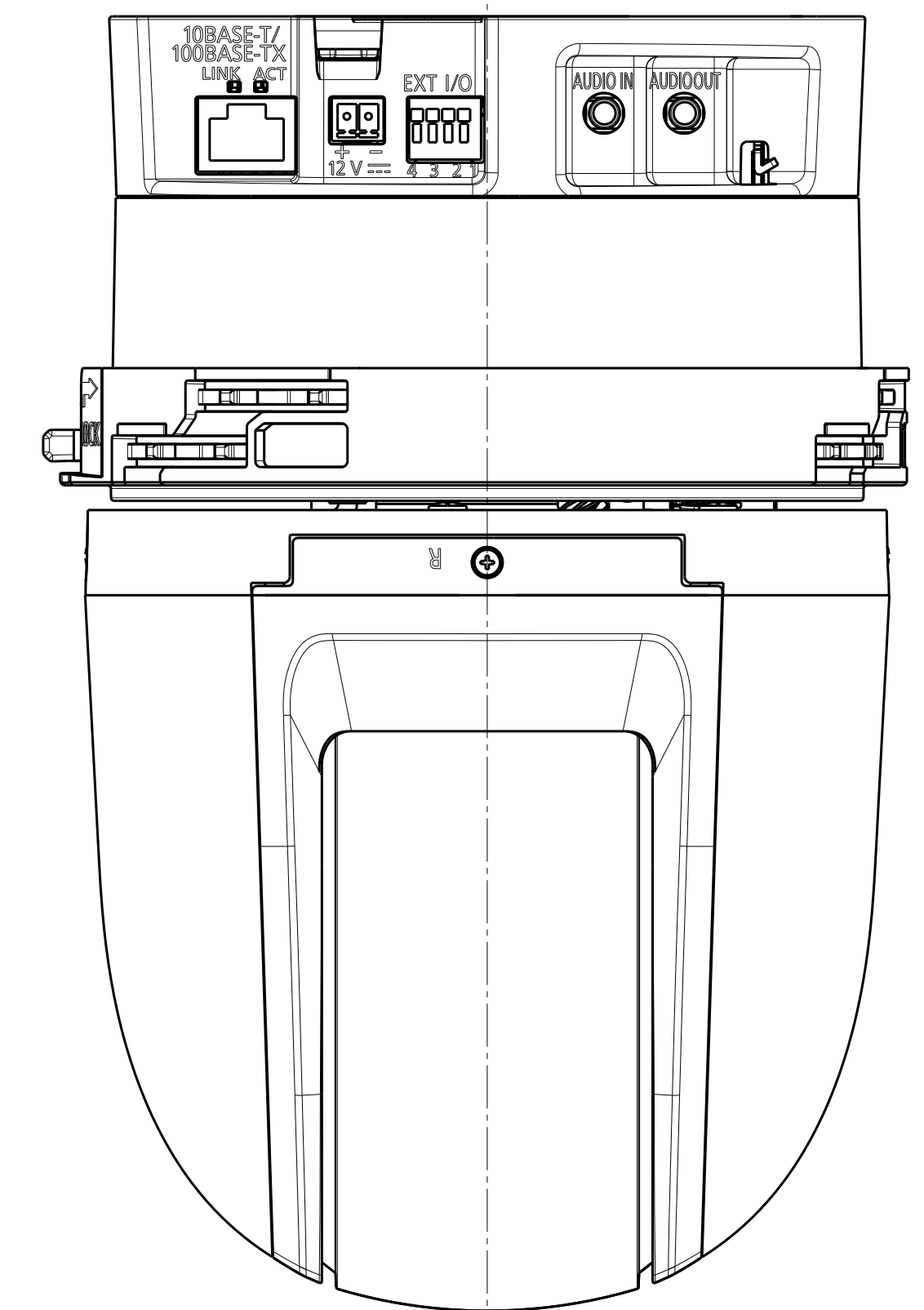
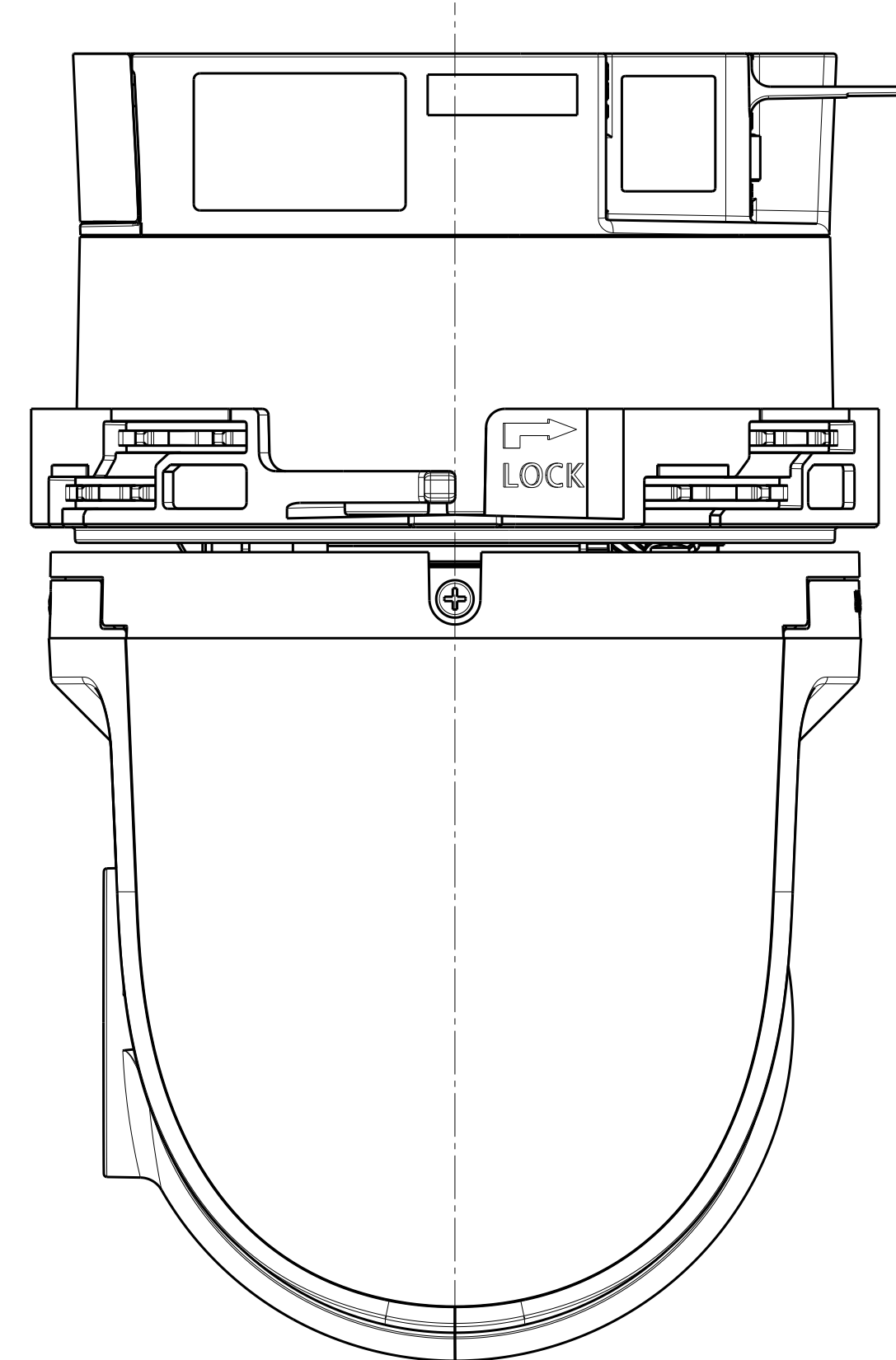
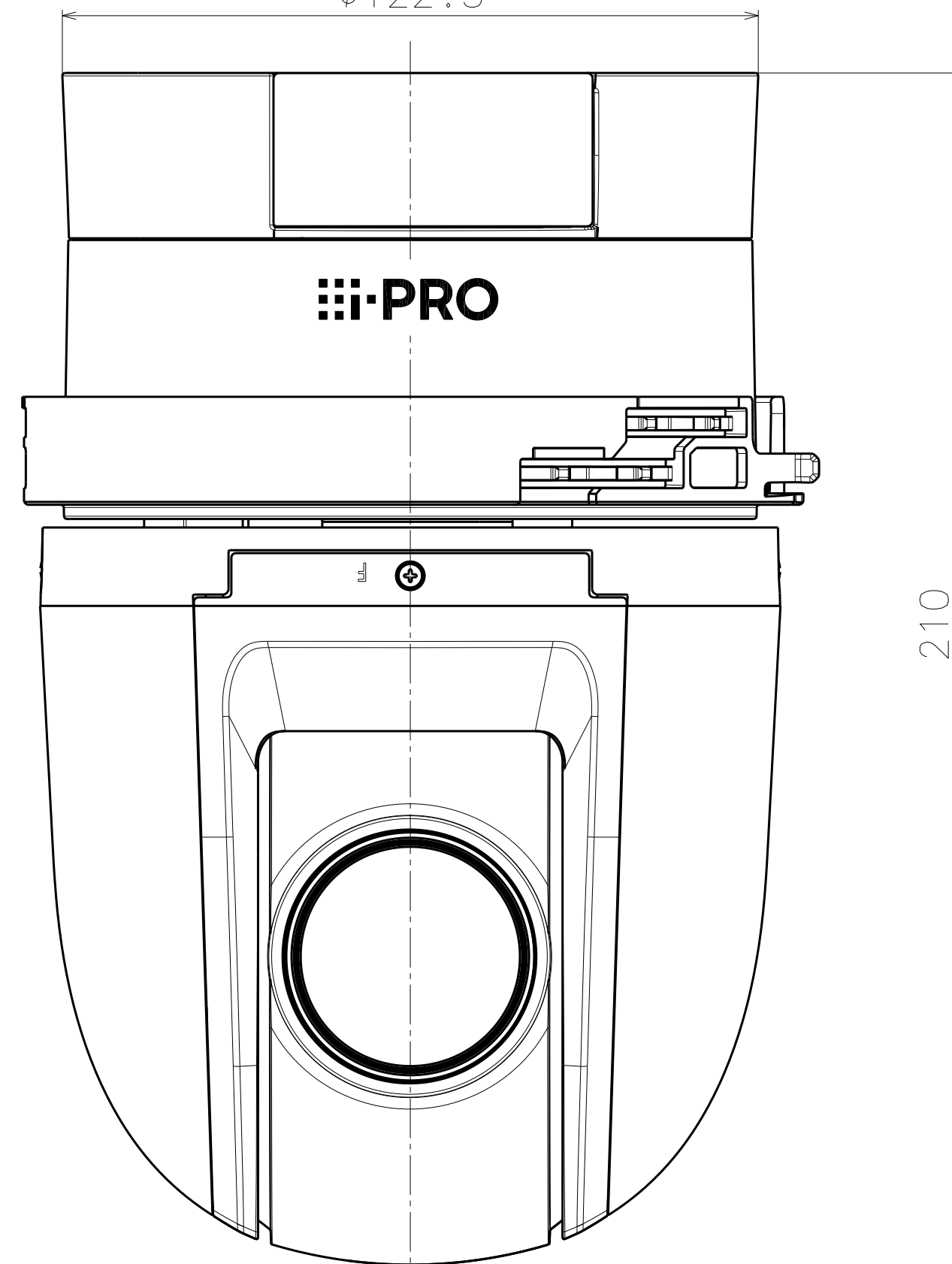
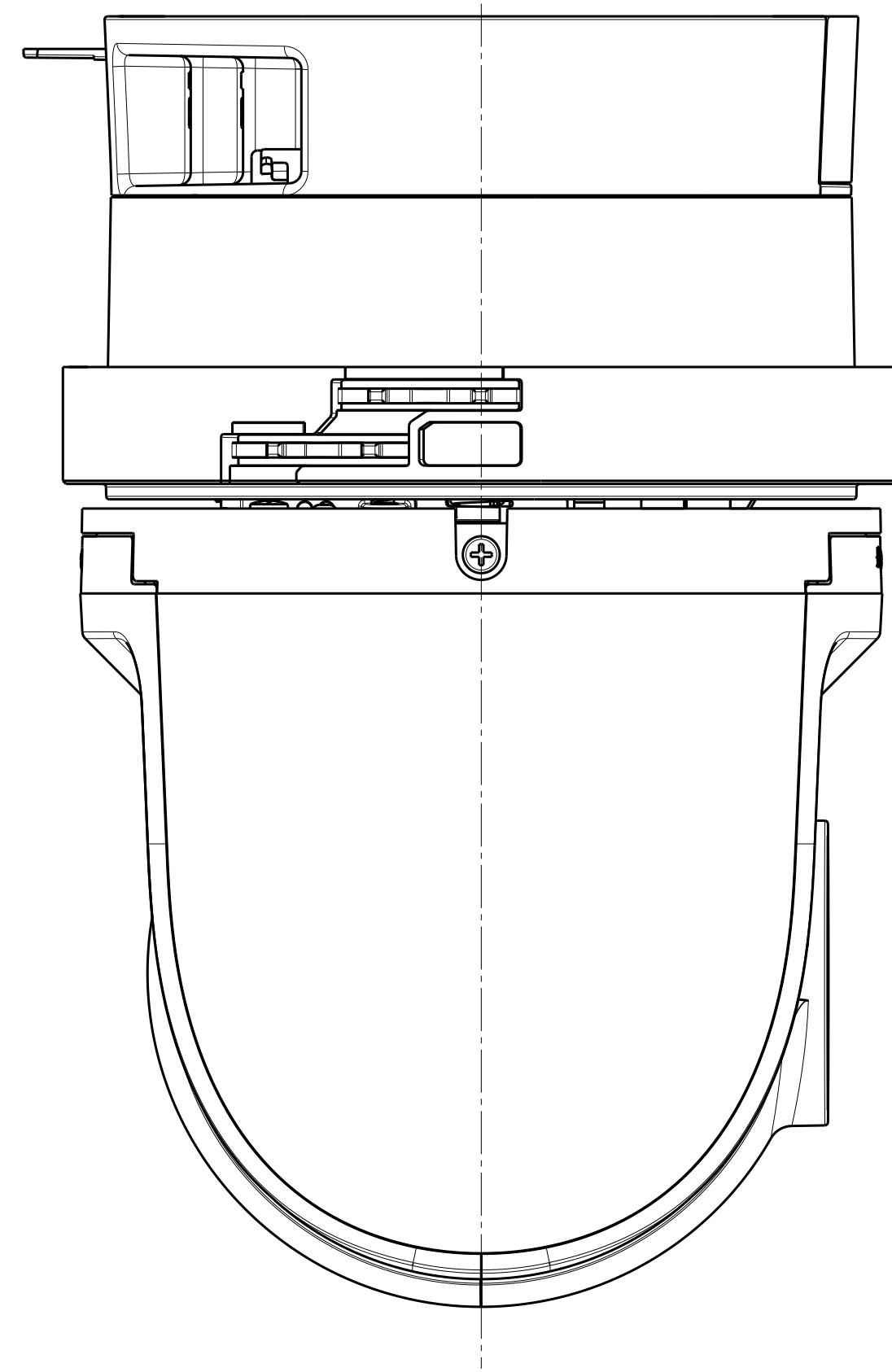


Model number
WV-S61302-Z4
WV-S61302-Z4V

Mass : Approx. 1.5 kg {3.31 lbs}

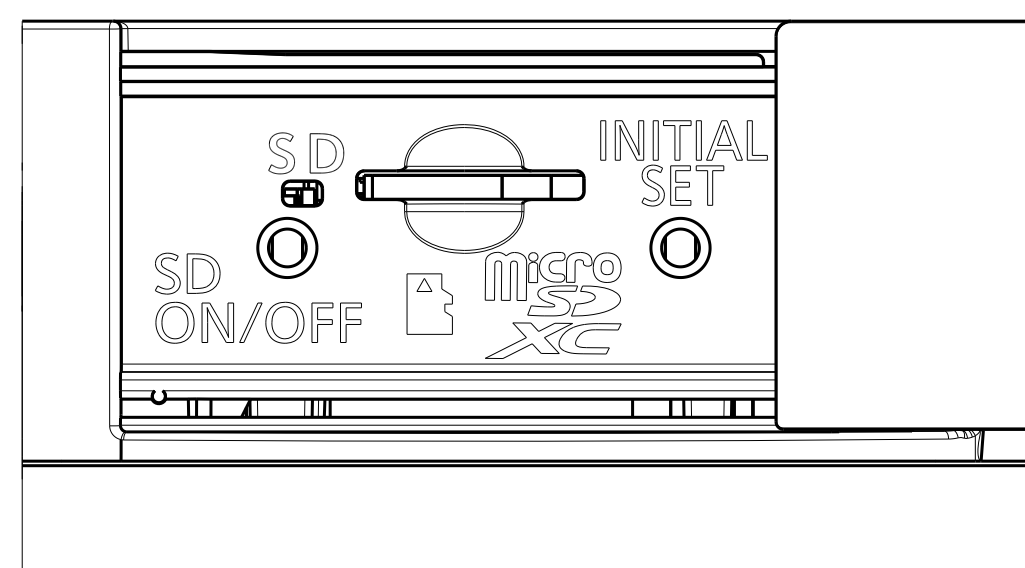


Ø122.5

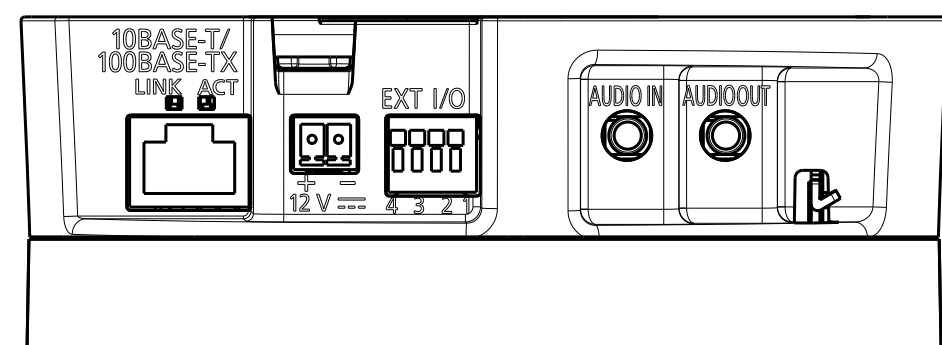


Model number
WV-S61302-Z4J

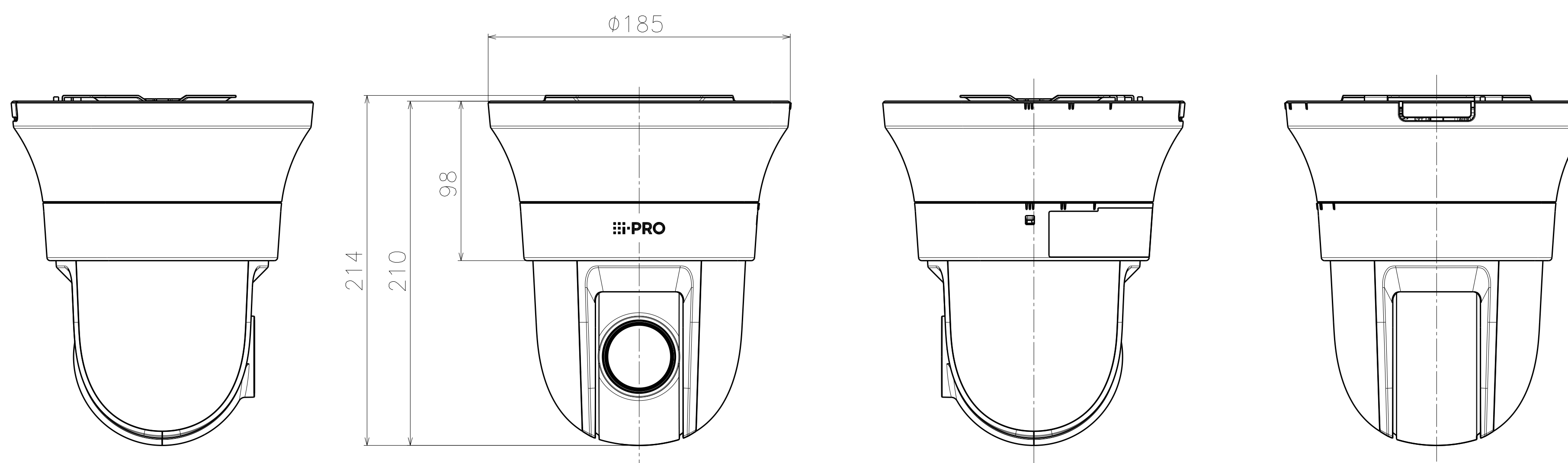
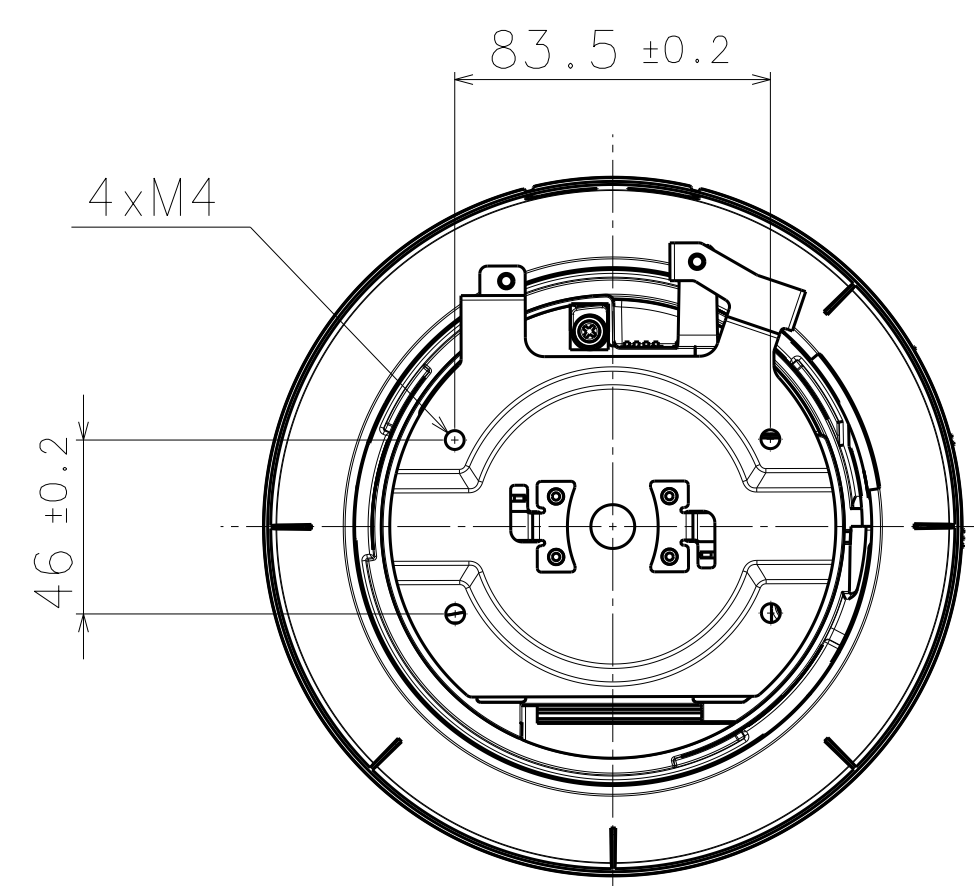
Mass : Approx. 1.5 kg {3.31 lbs}



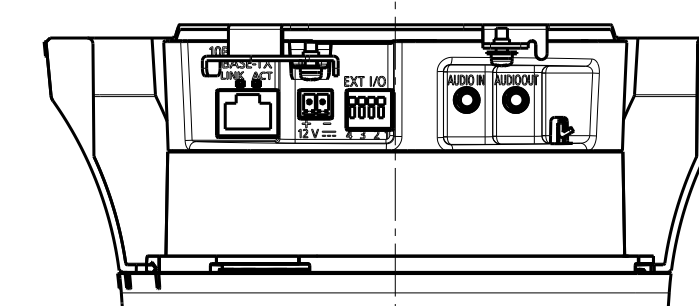
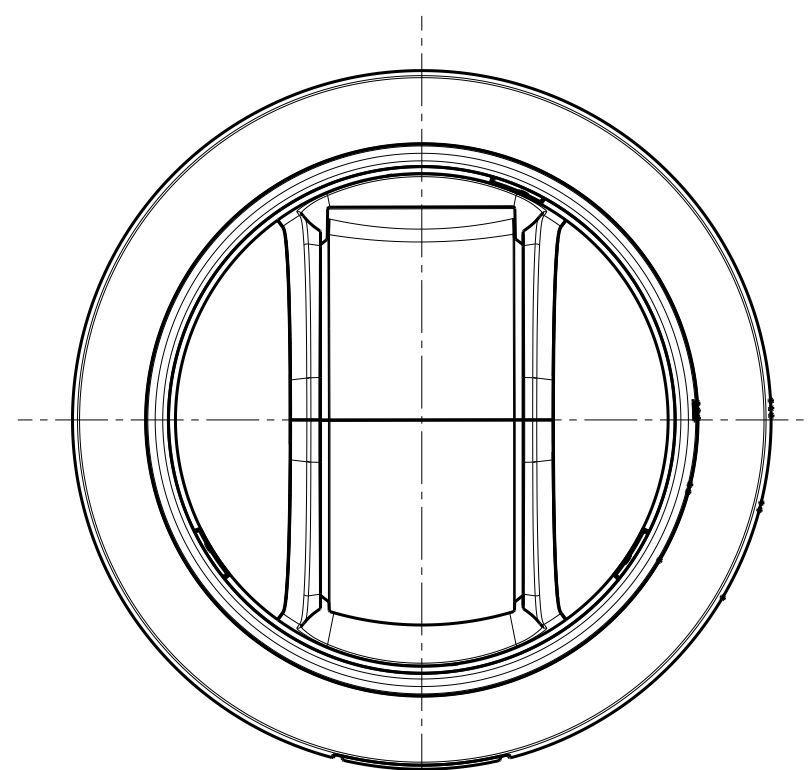
Inside of SD memory card cover
(S=2:1)



Rear details
(S=1:1)



With accessories unit

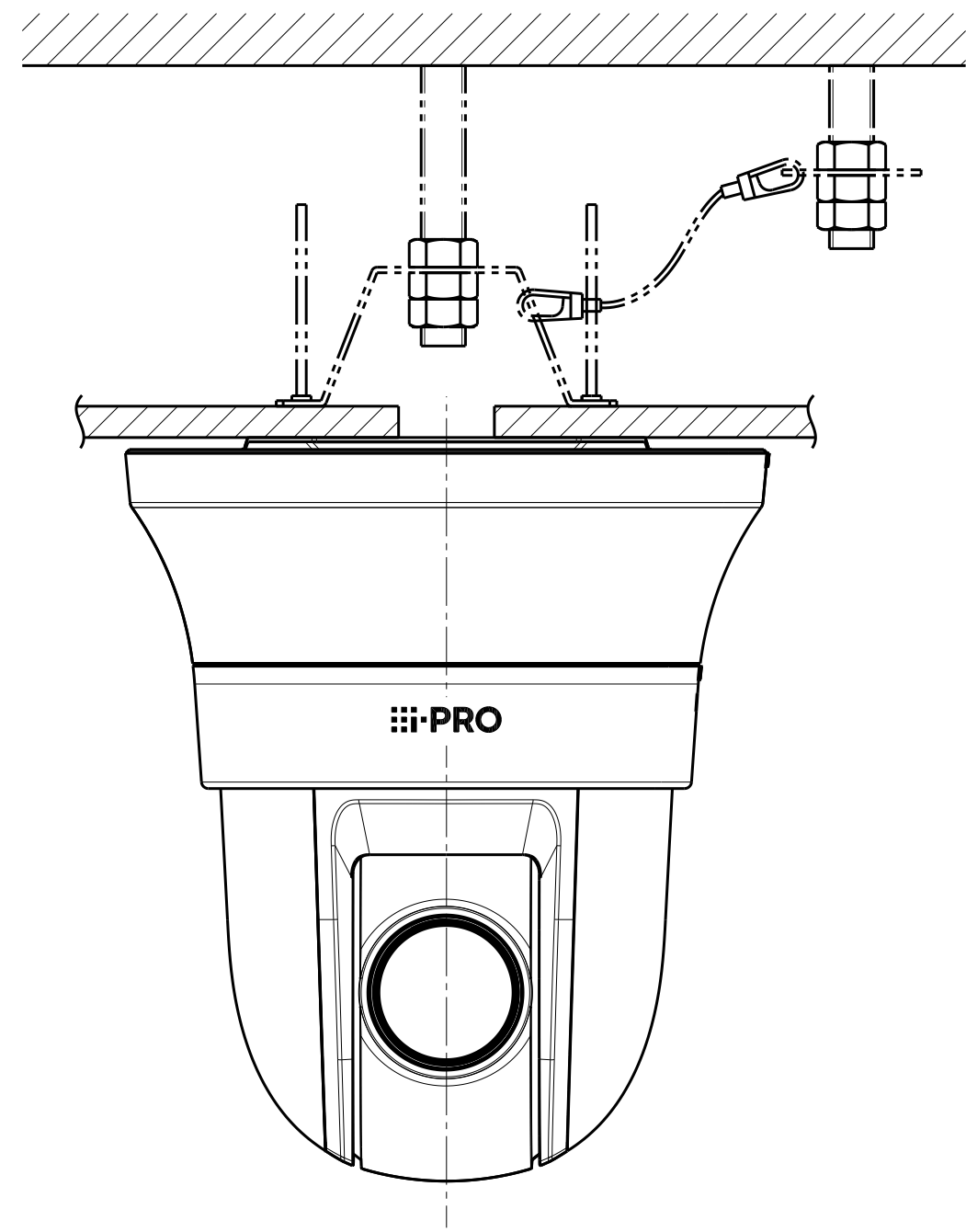


Inside of Decorative cover (lower part)

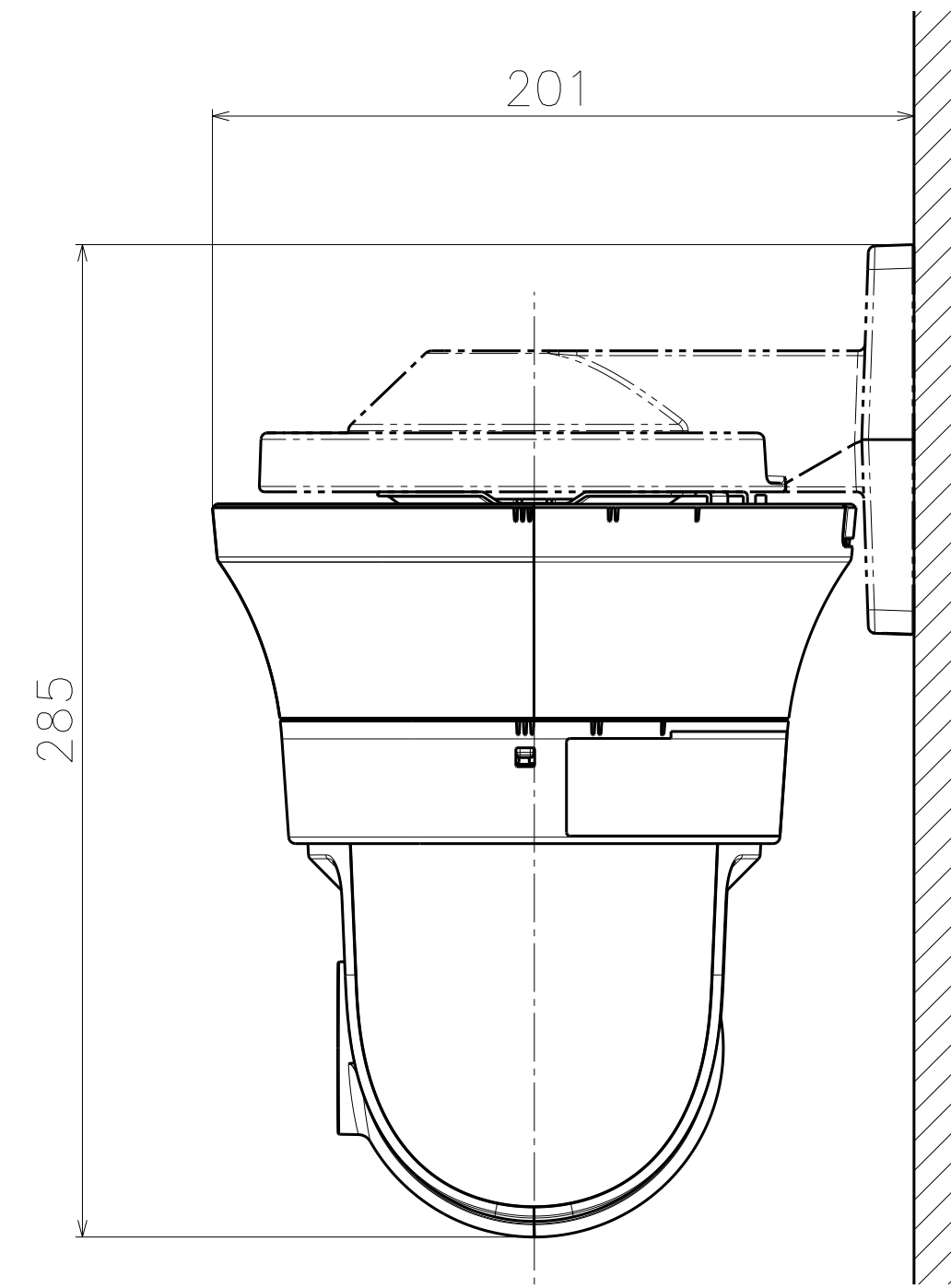
Model number
 WV-S61302-Z4
 WV-S61302-Z4J
 WV-S61302-Z4V

Mass : Approx. 1.8 kg {3.97 lbs} (Including accessories unit)

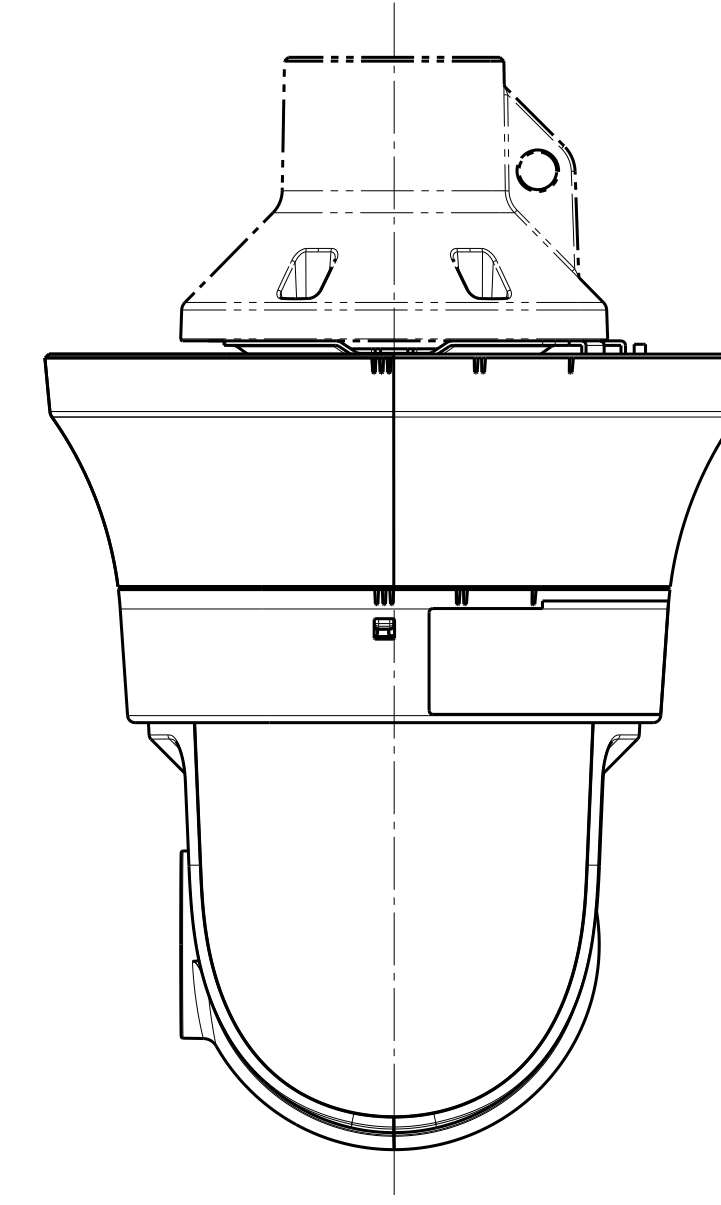
金具との組み合わせ例
Example of combination with bracket



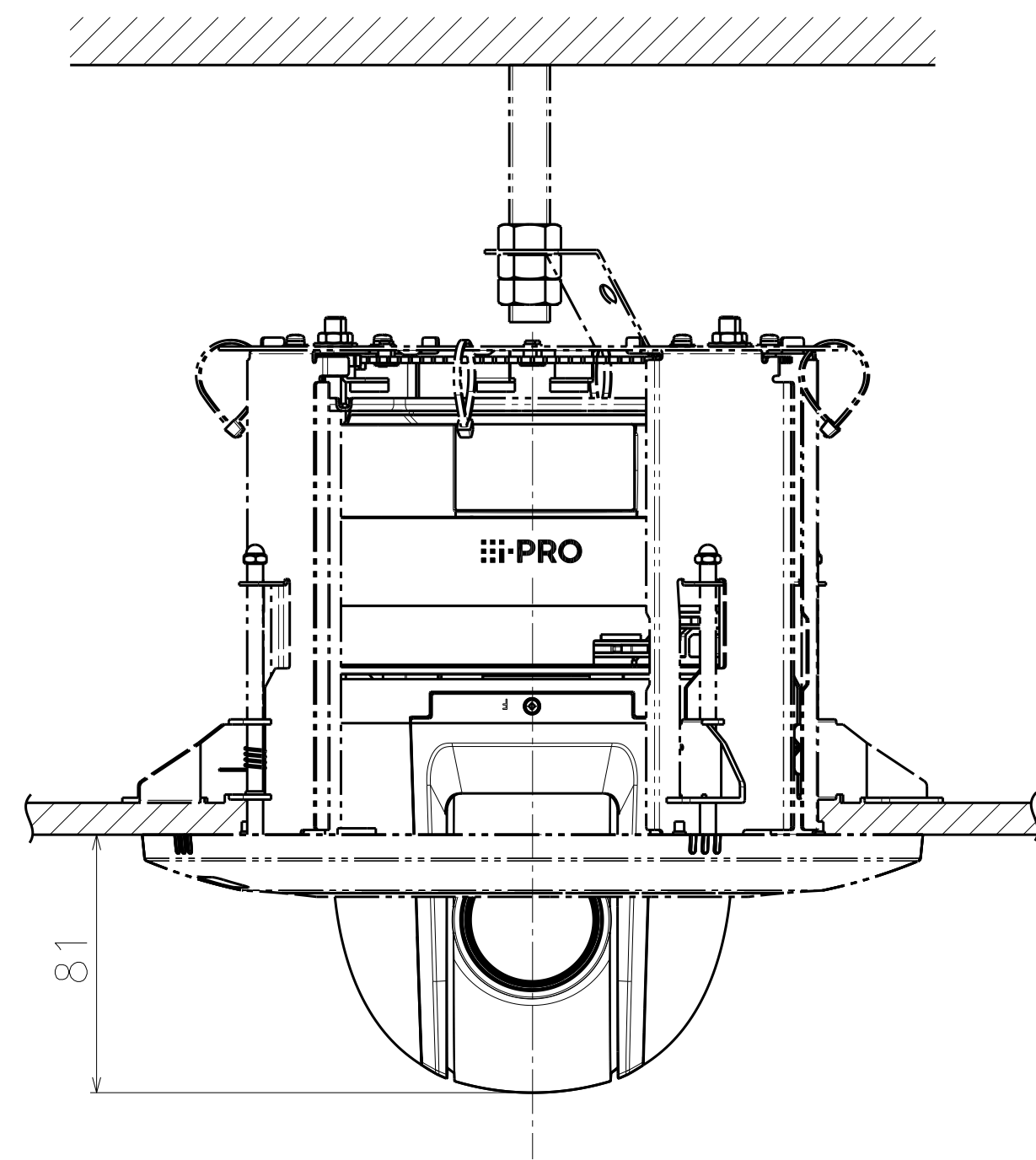
Attach to WV-Q105A**



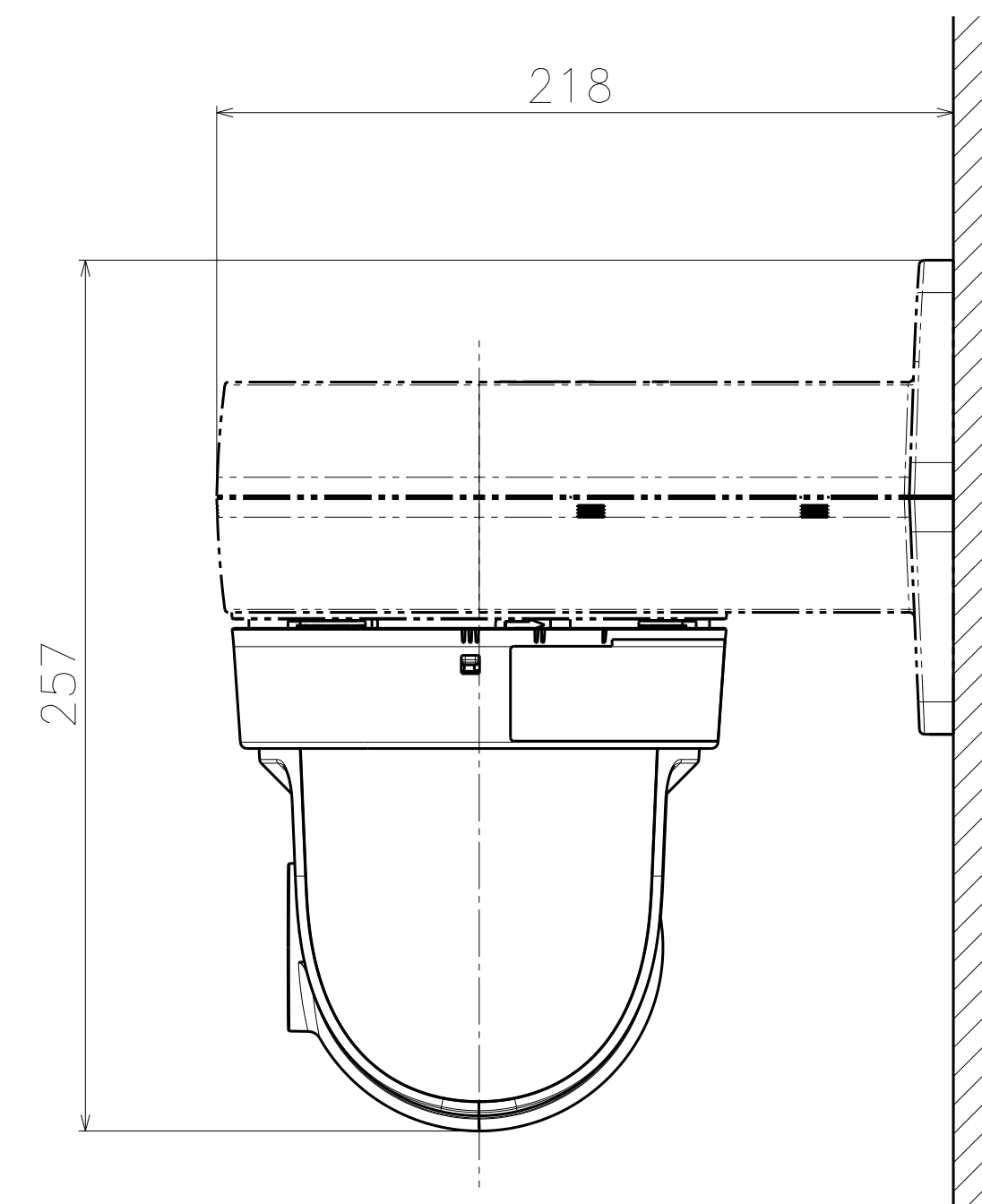
Attach to WV-QWL500**



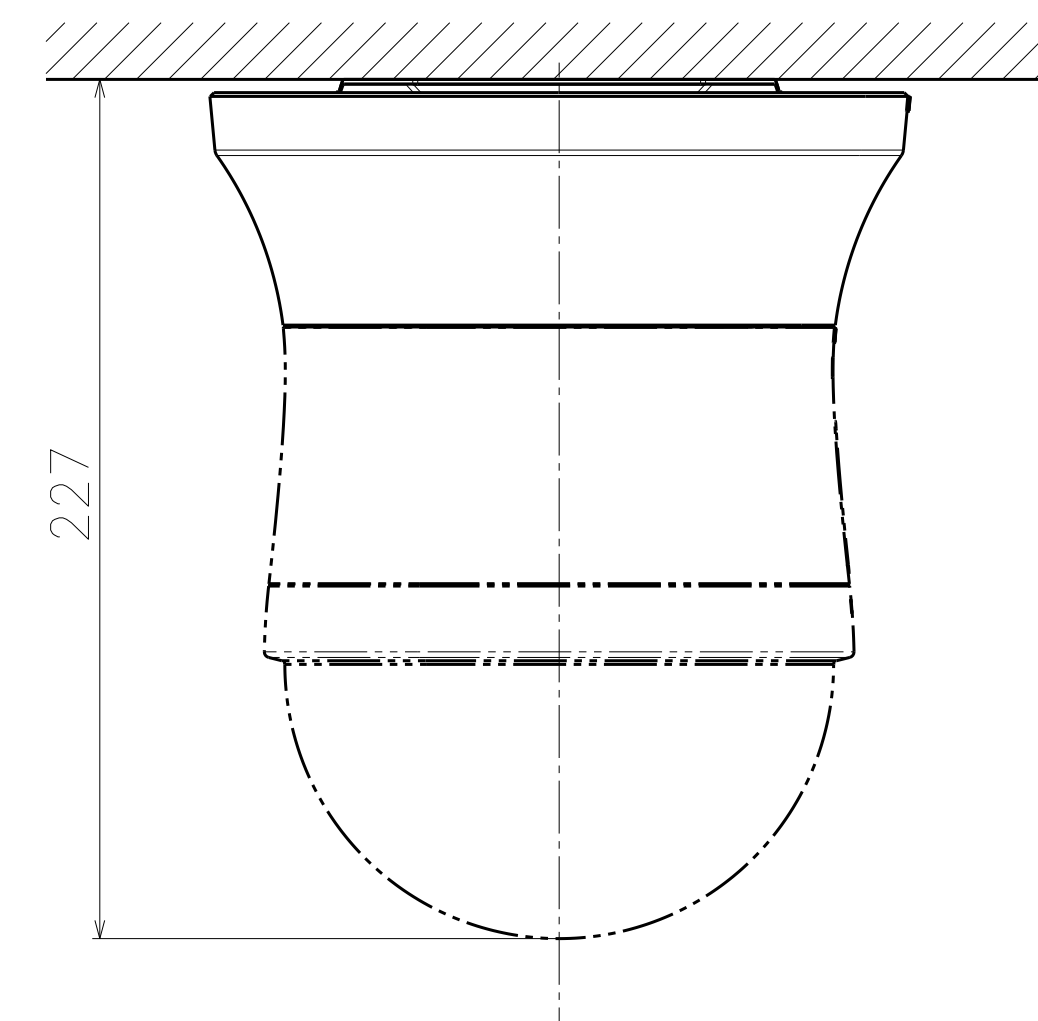
Attach to WV-QCL100**



Attach to WV-QEM101**



Attach to WV-QWL100**



Attach to WV-QDC100**

Model number
WV-S61302-Z4
WV-S61302-Z4J
WV-S61302-Z4V