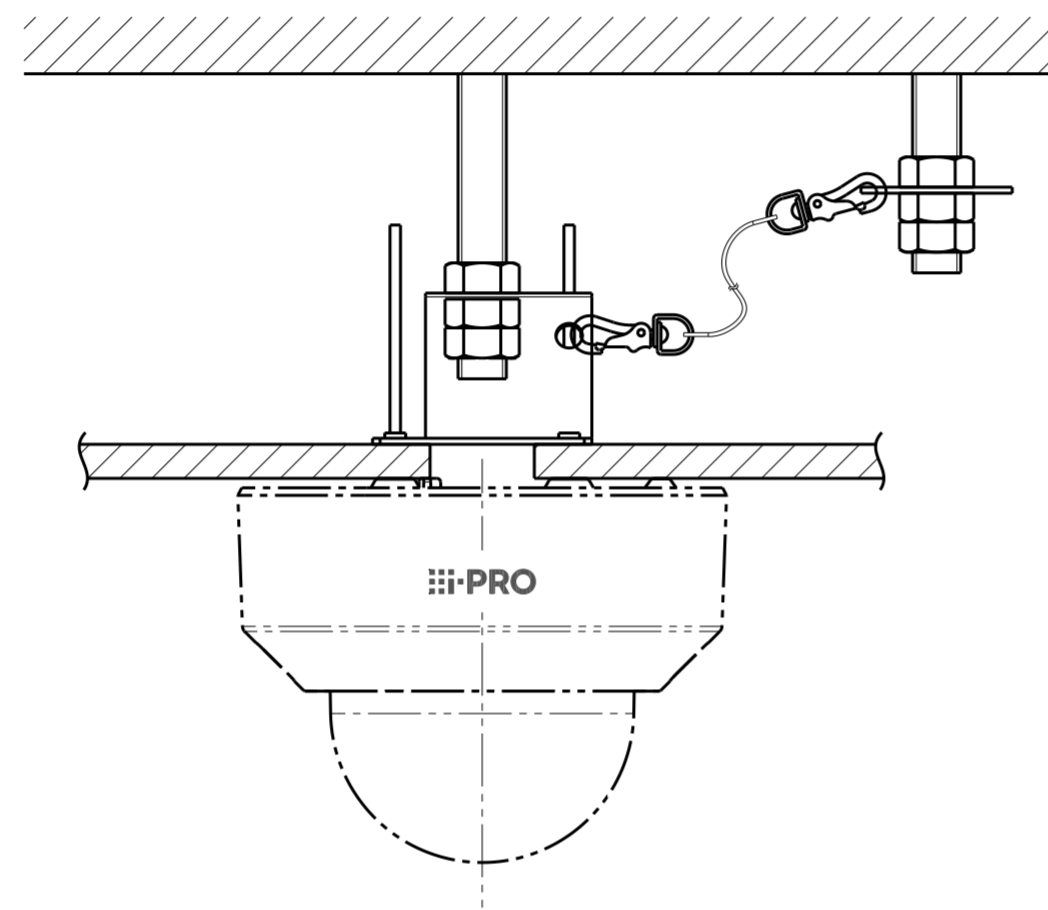
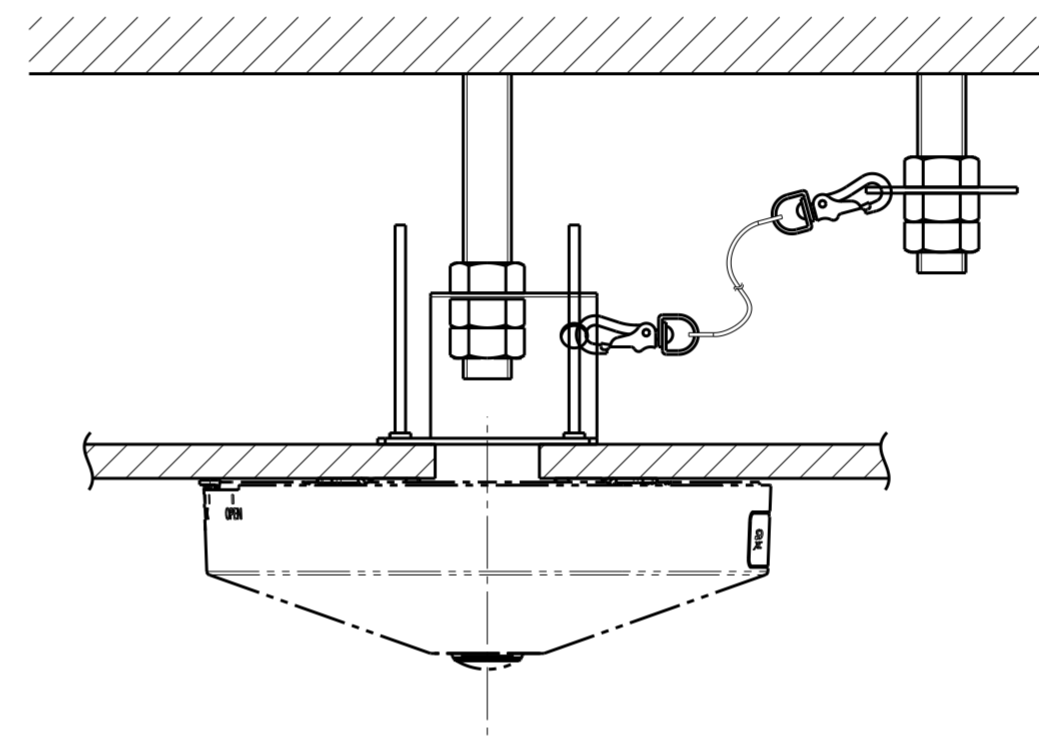


Mass : Approx. 150 g {0.33 lbs} (Excluding safety wire)

WV-Q105AUX



Attach to WV-U2132LAUX



Attach to WV-S4151UX

WV-Q105AUX