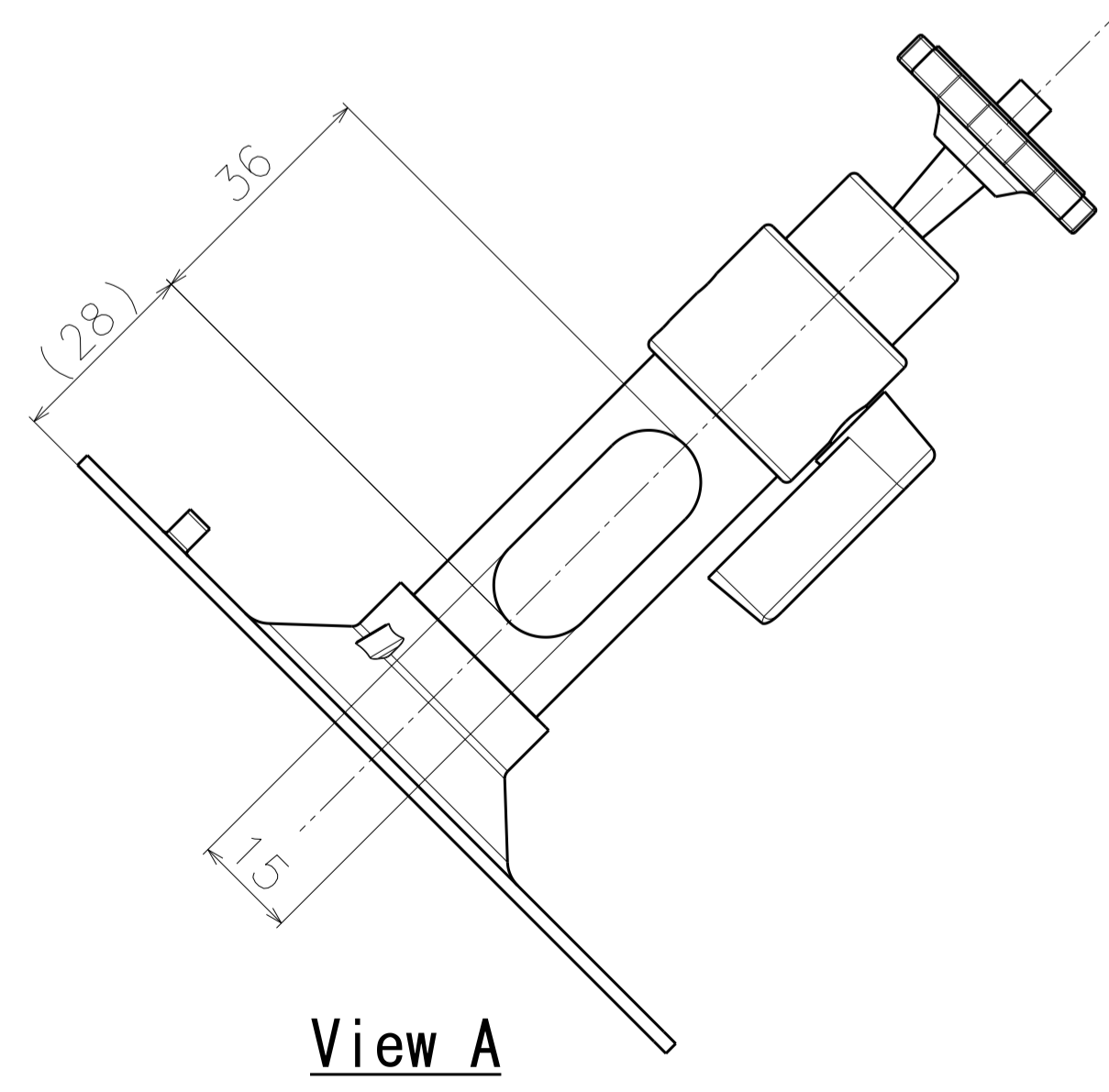
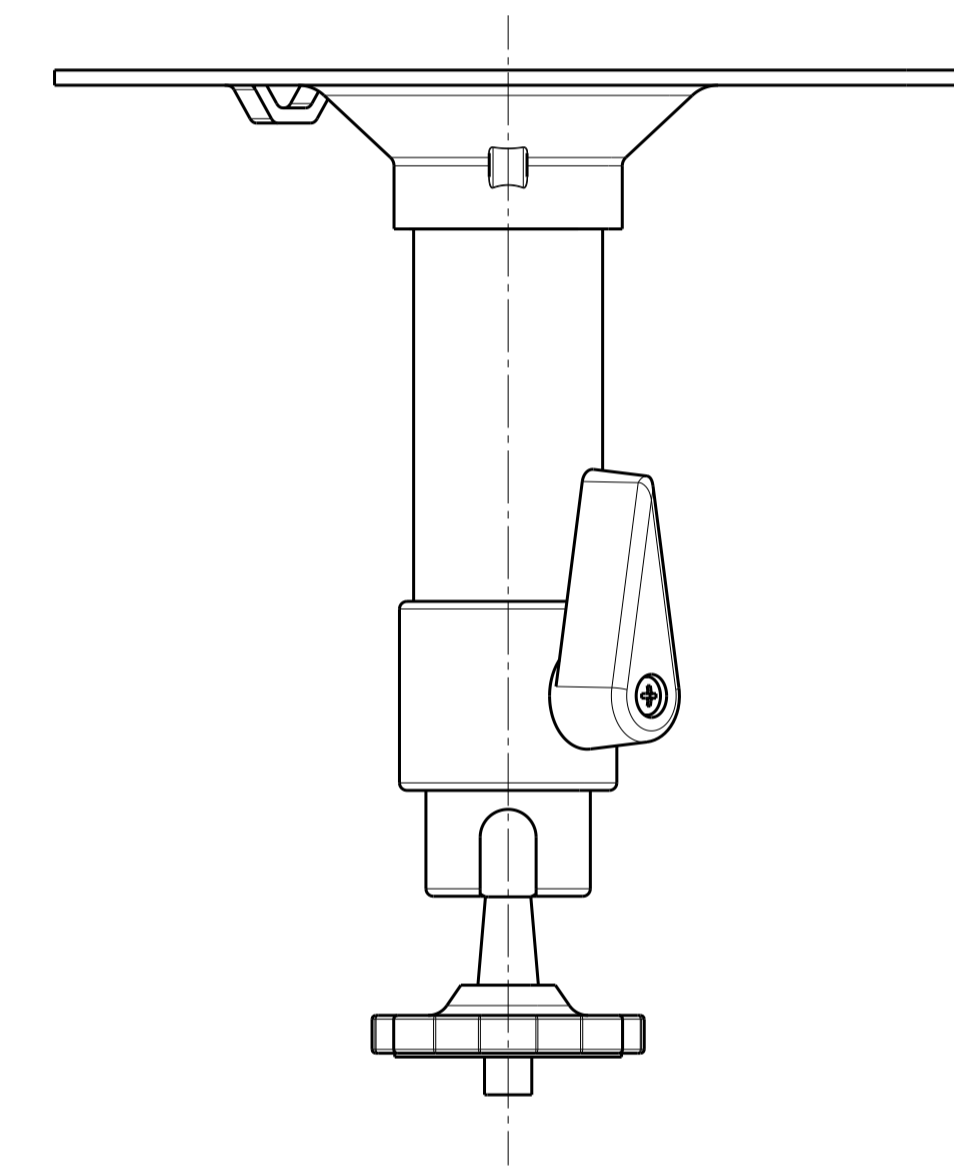
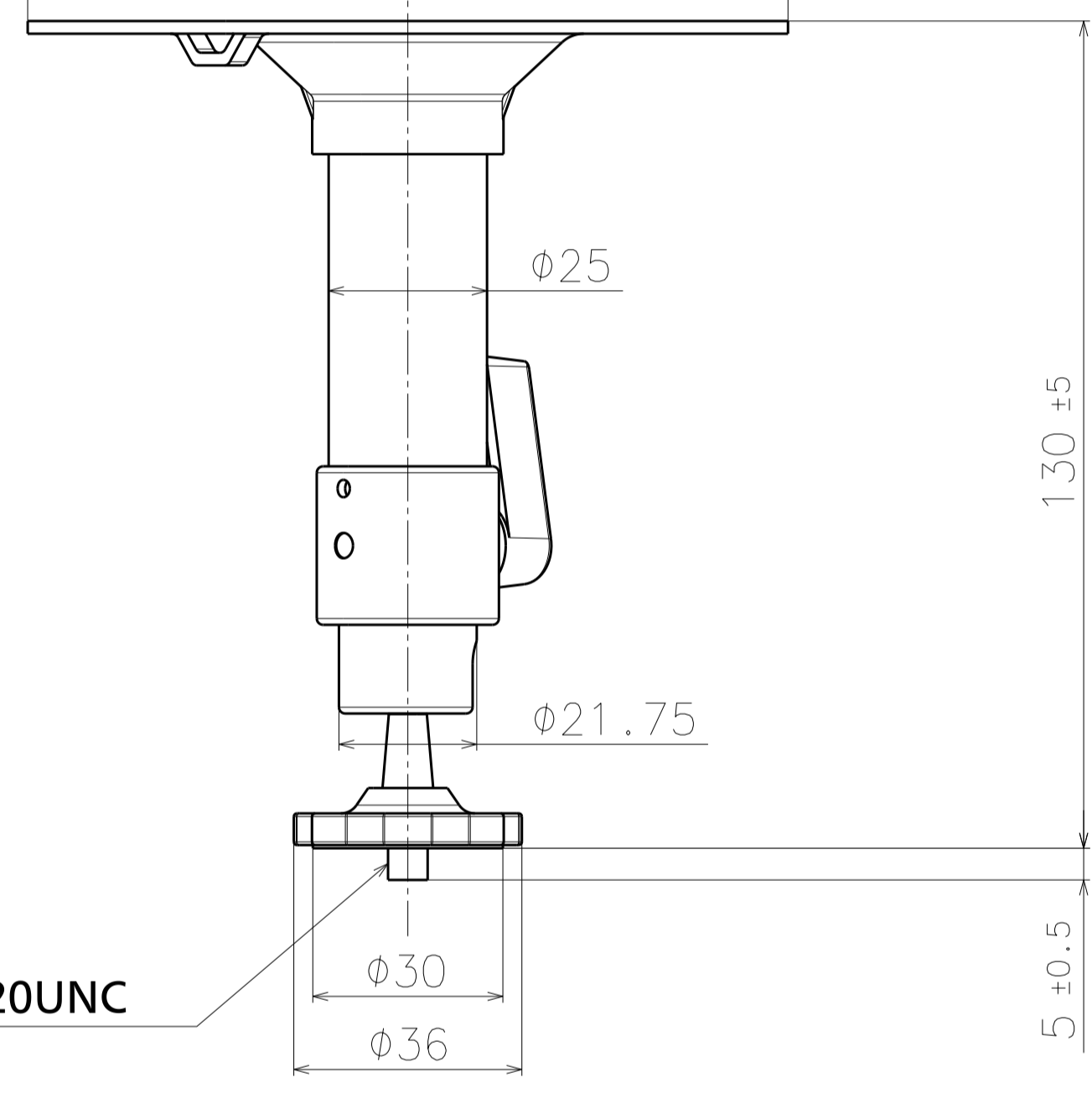
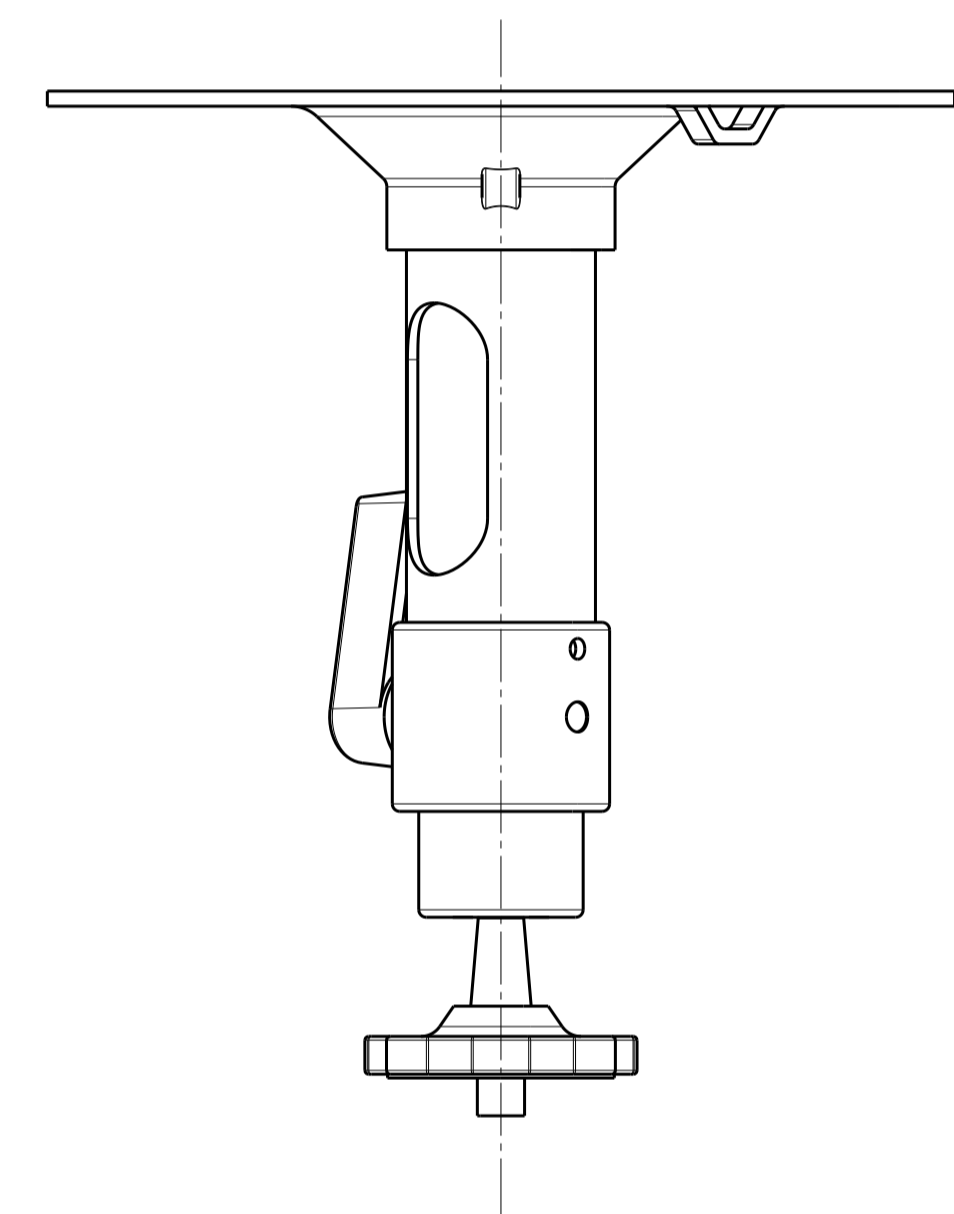
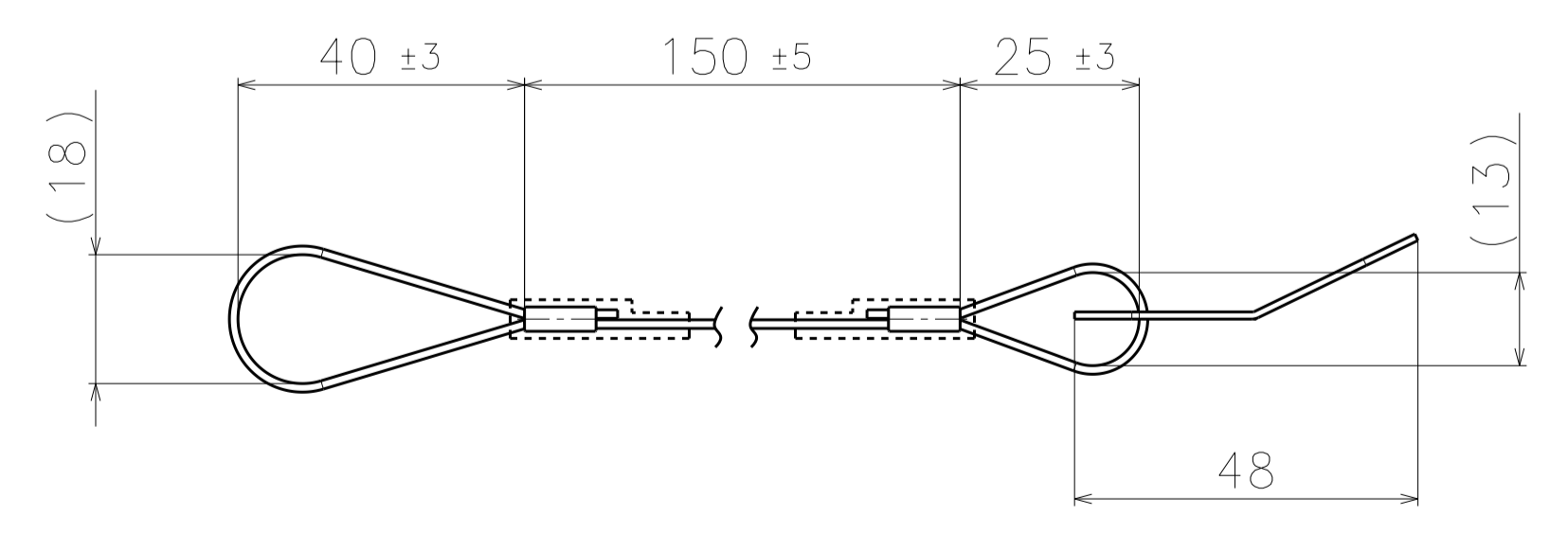
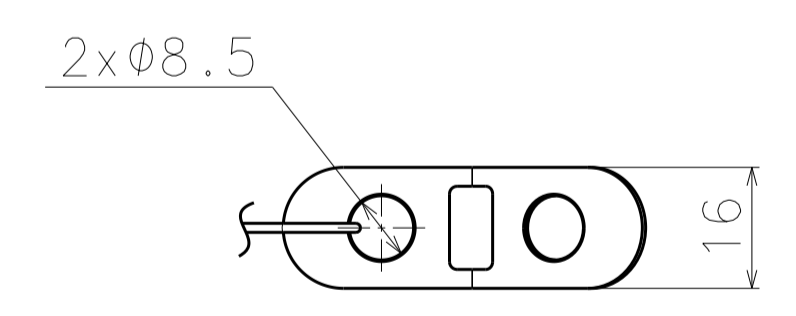
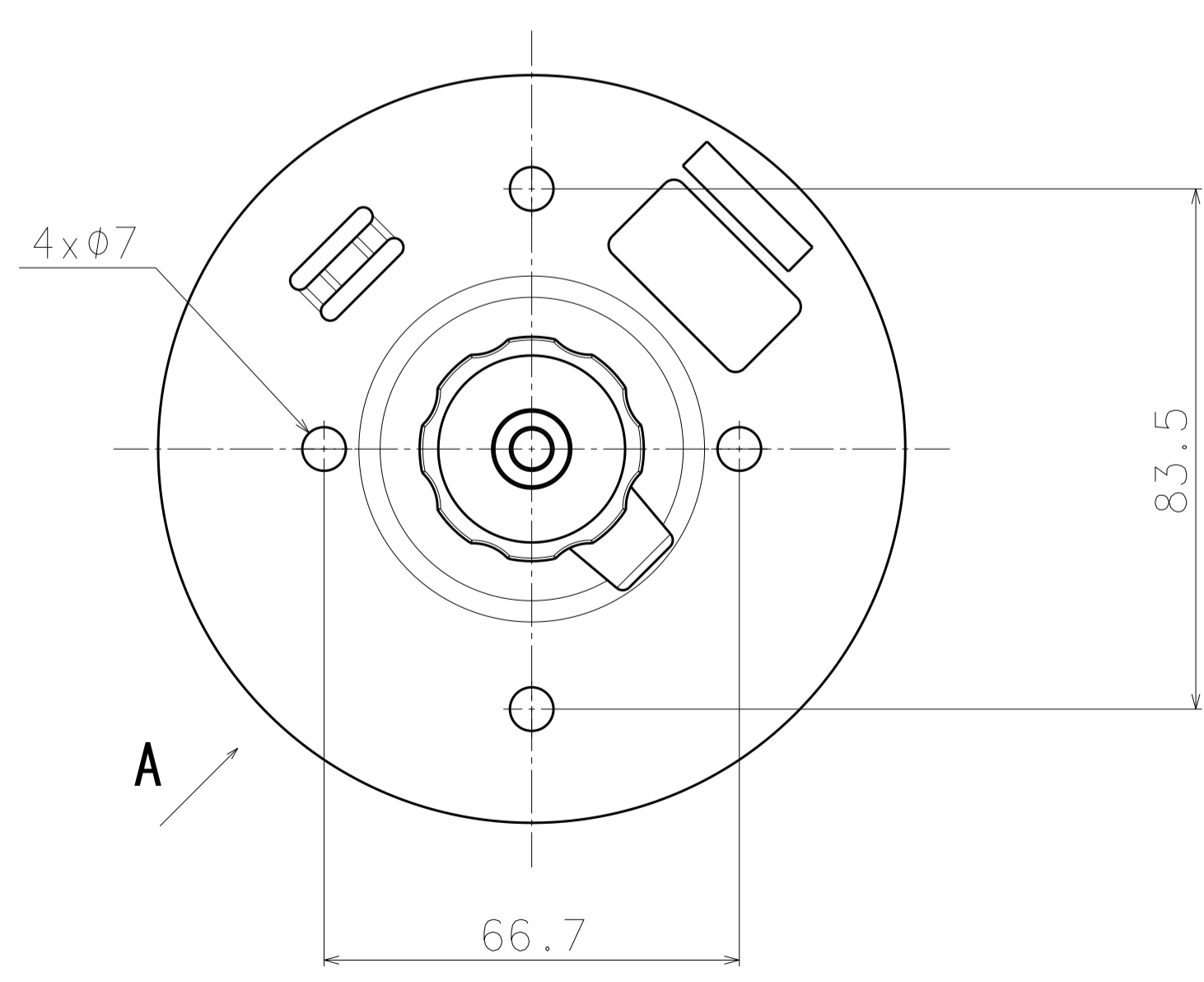


Ø120



View A



Mass : Approx. 260 g {0.57 lbs} (Excluding safety wire)

WV-Q180UX

