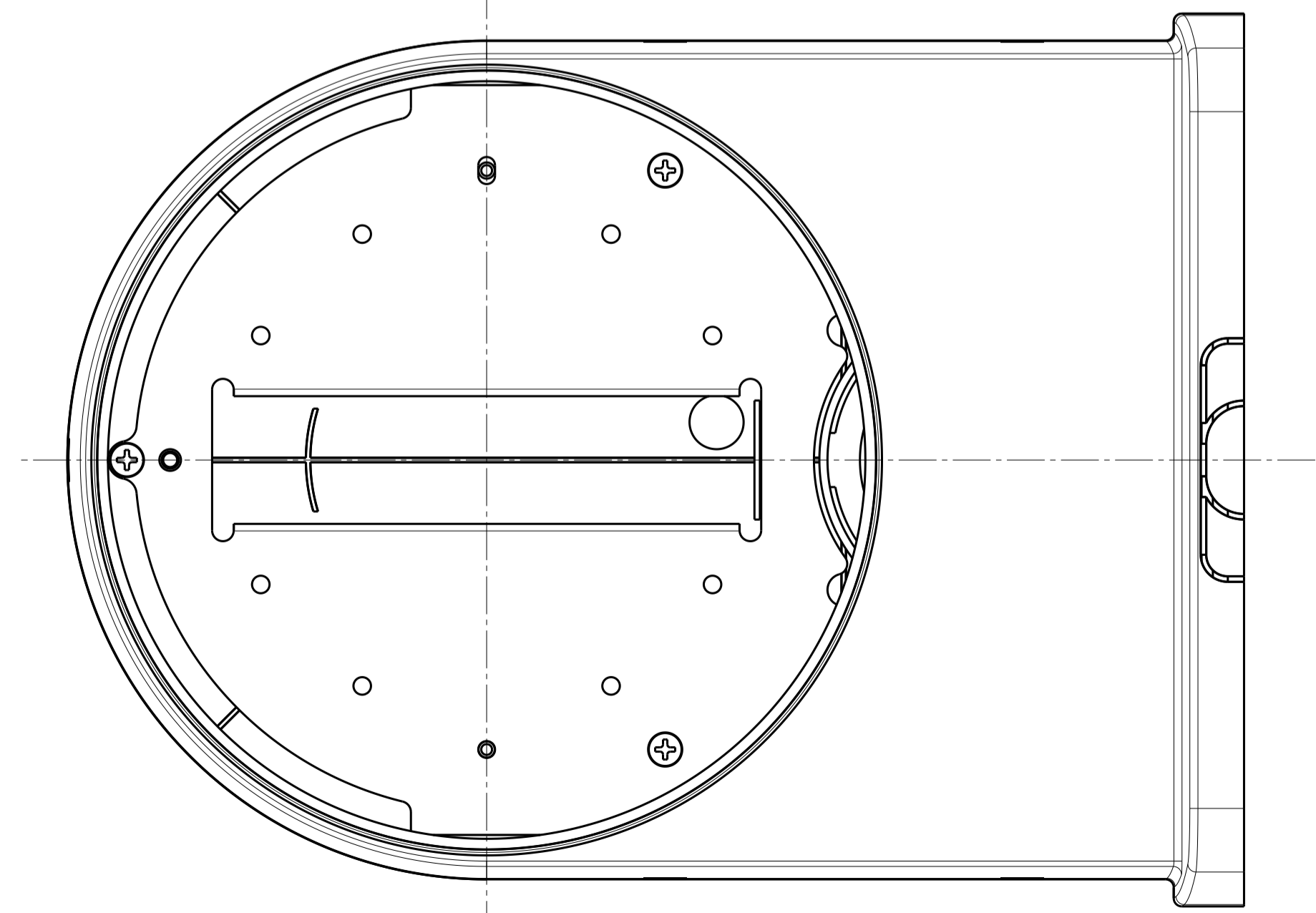
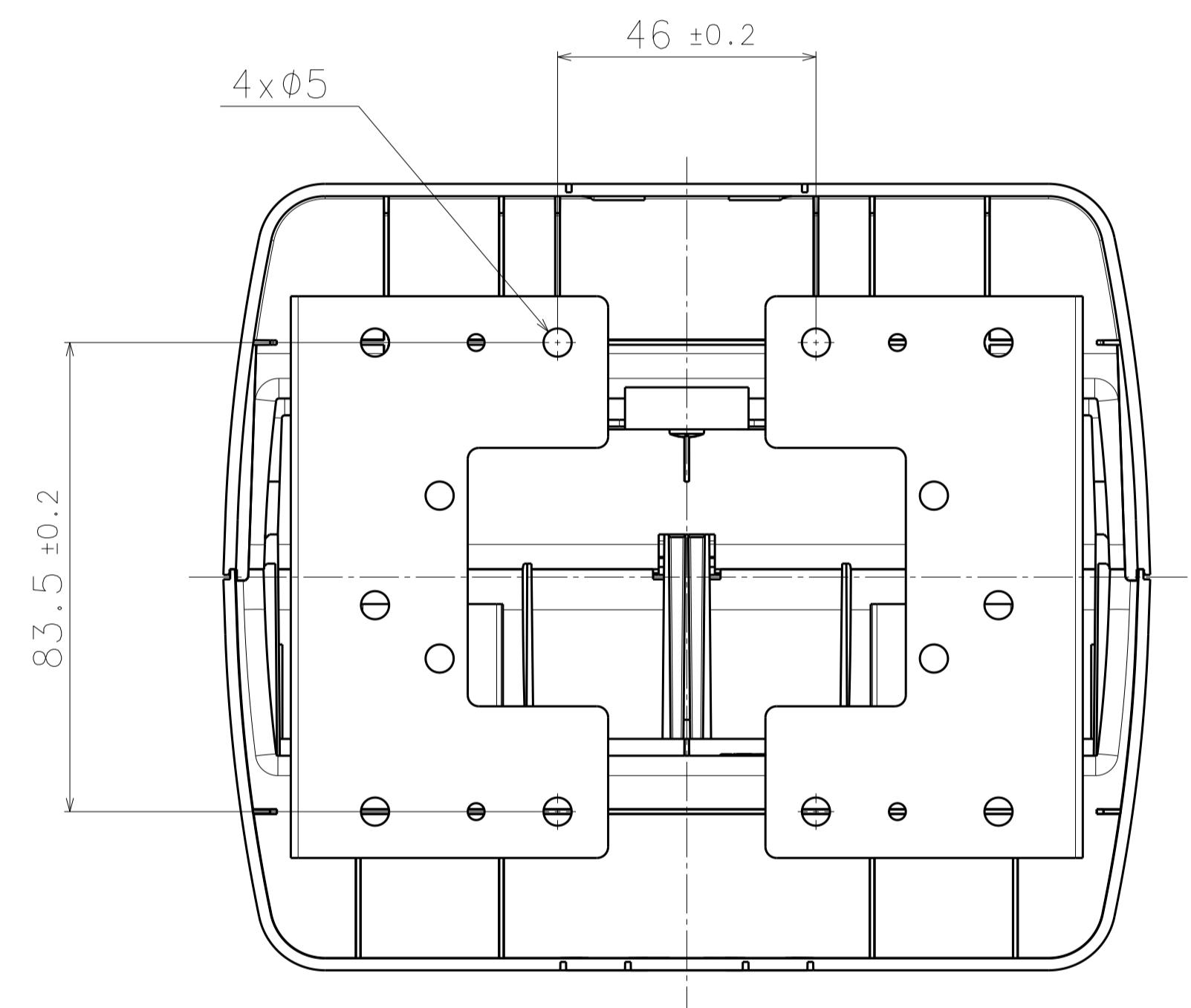
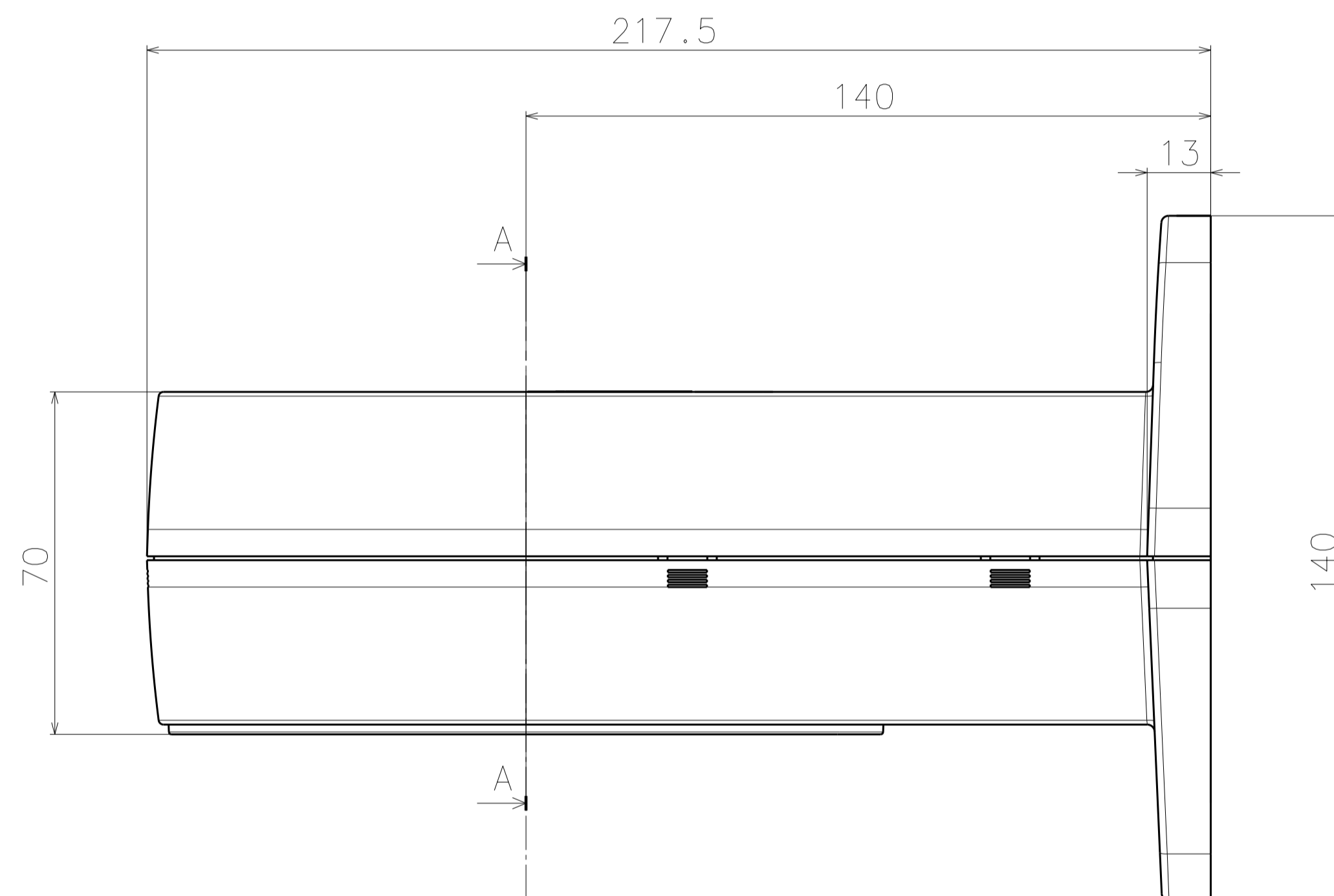
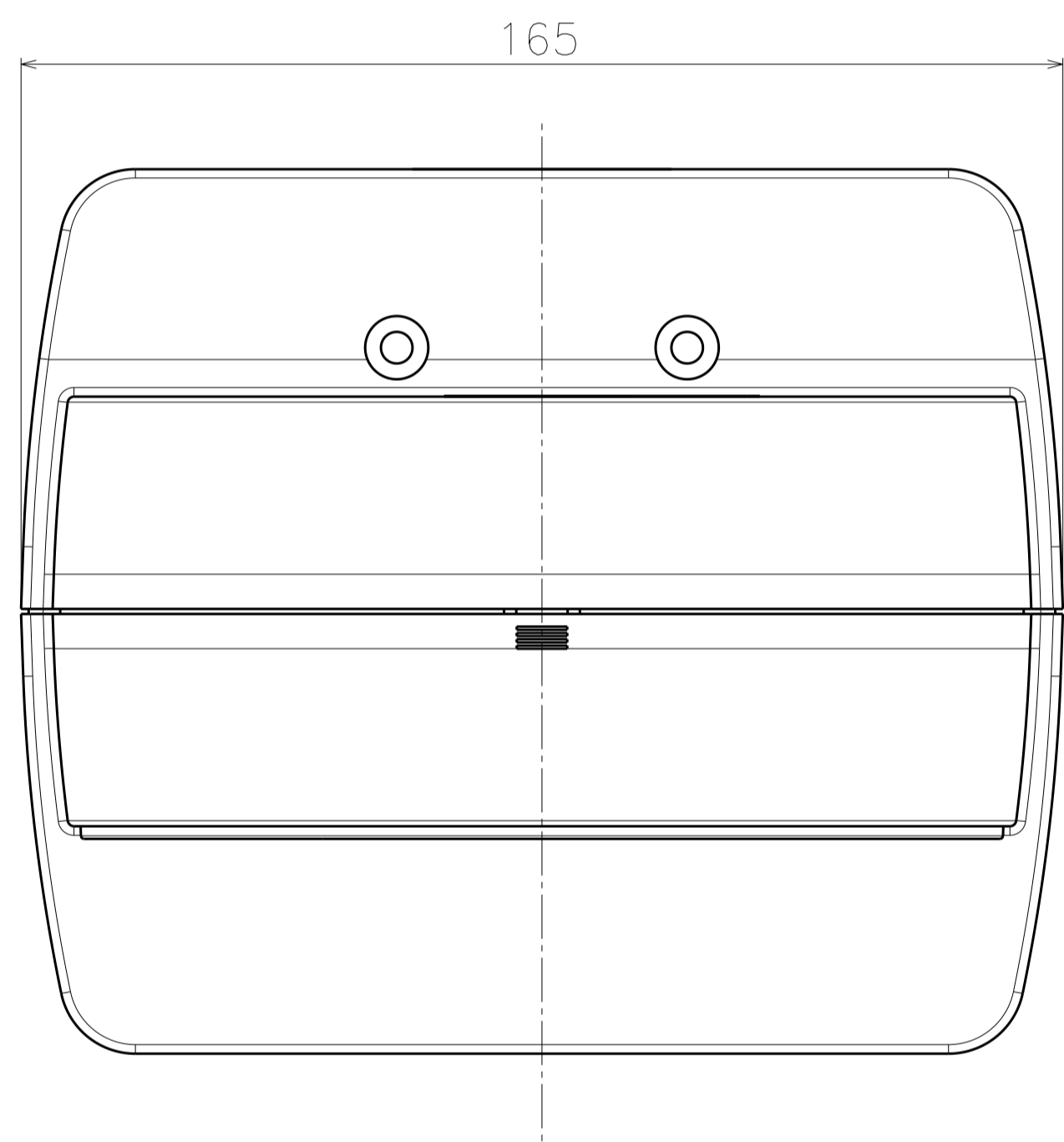
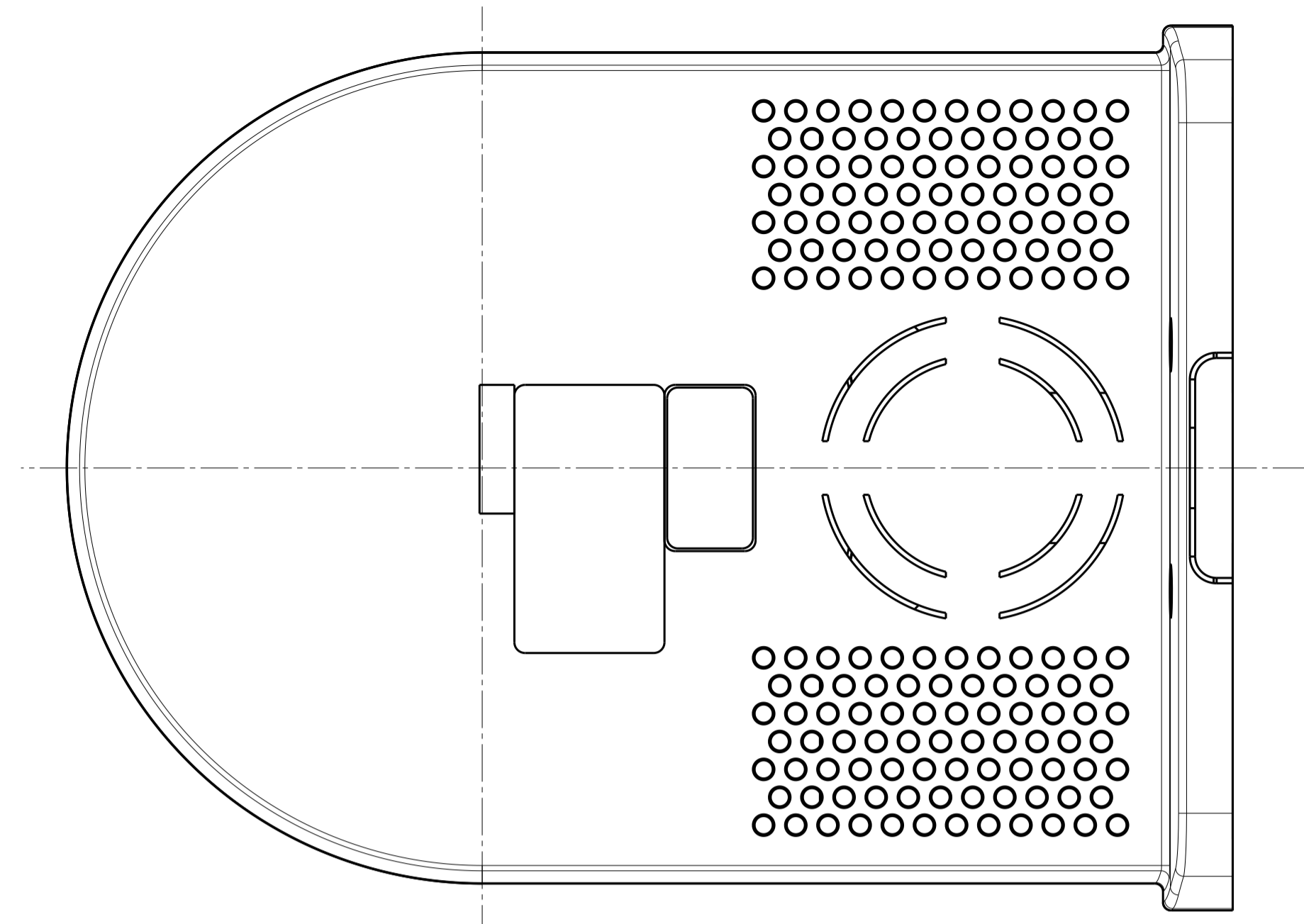


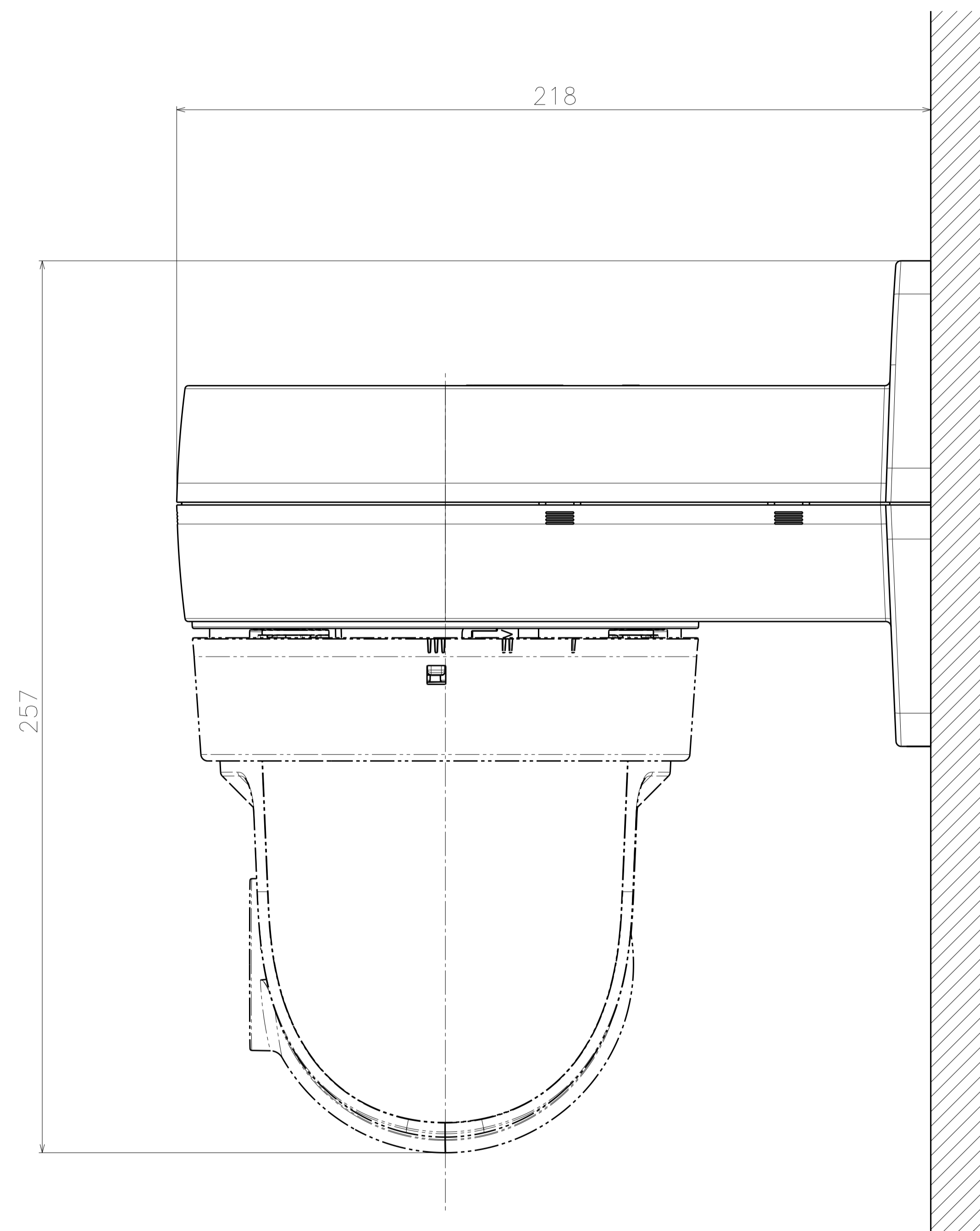
Sec A-A



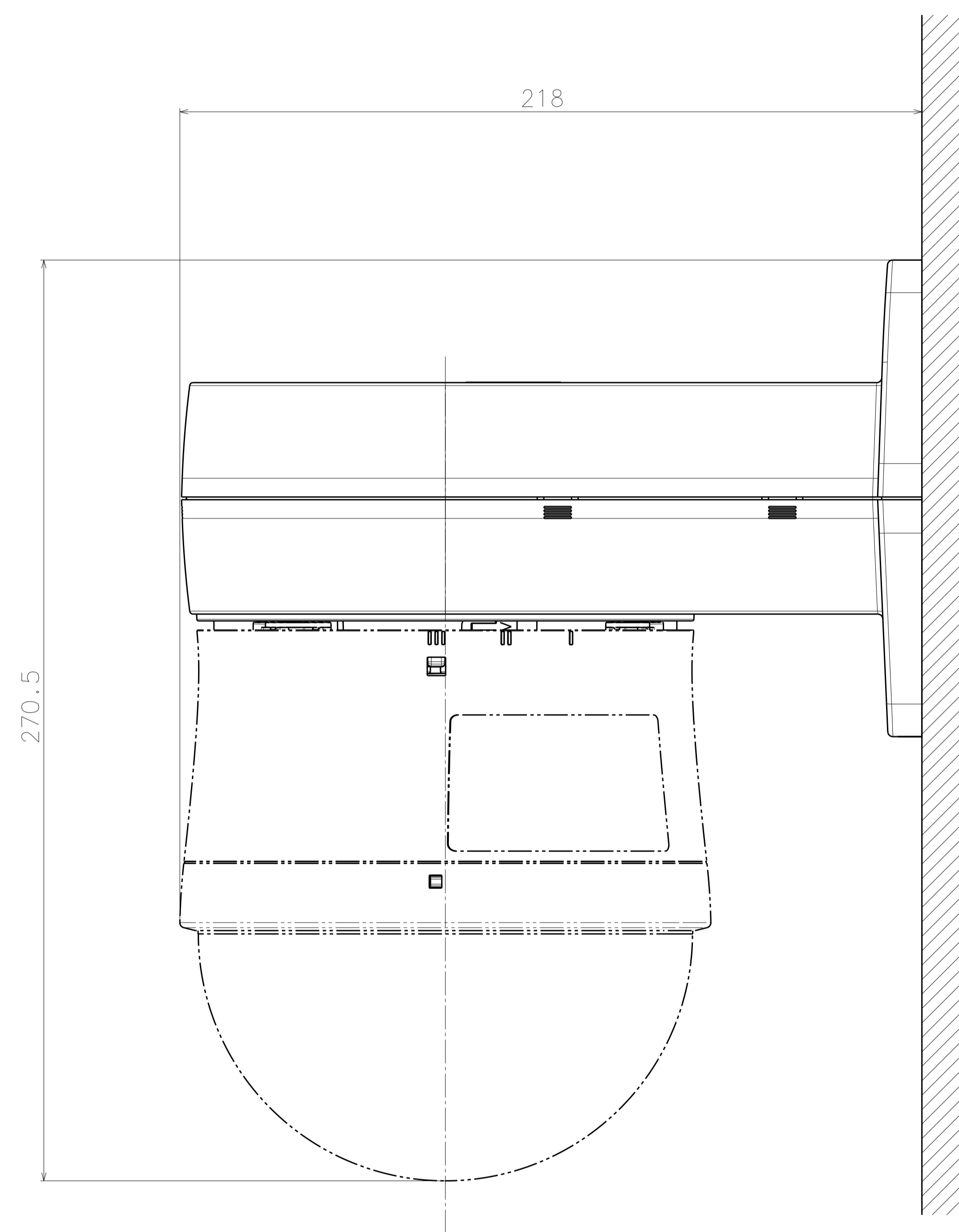
Model number
WV-QWL100-W

Mass : Approx. 650 g {1.43 lbs}

カメラとの組み合わせ例
Example of combination with a camera



Attach to WV-S61302-Z4



Attach to WV-S61302-Z4 & WV-QDC100C-W

Model number
WV-QWL100-W