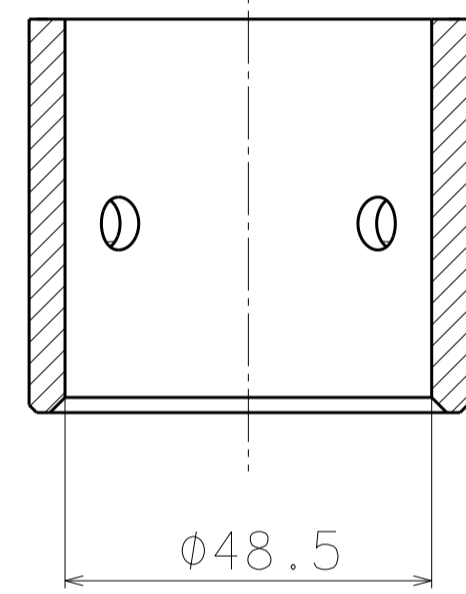
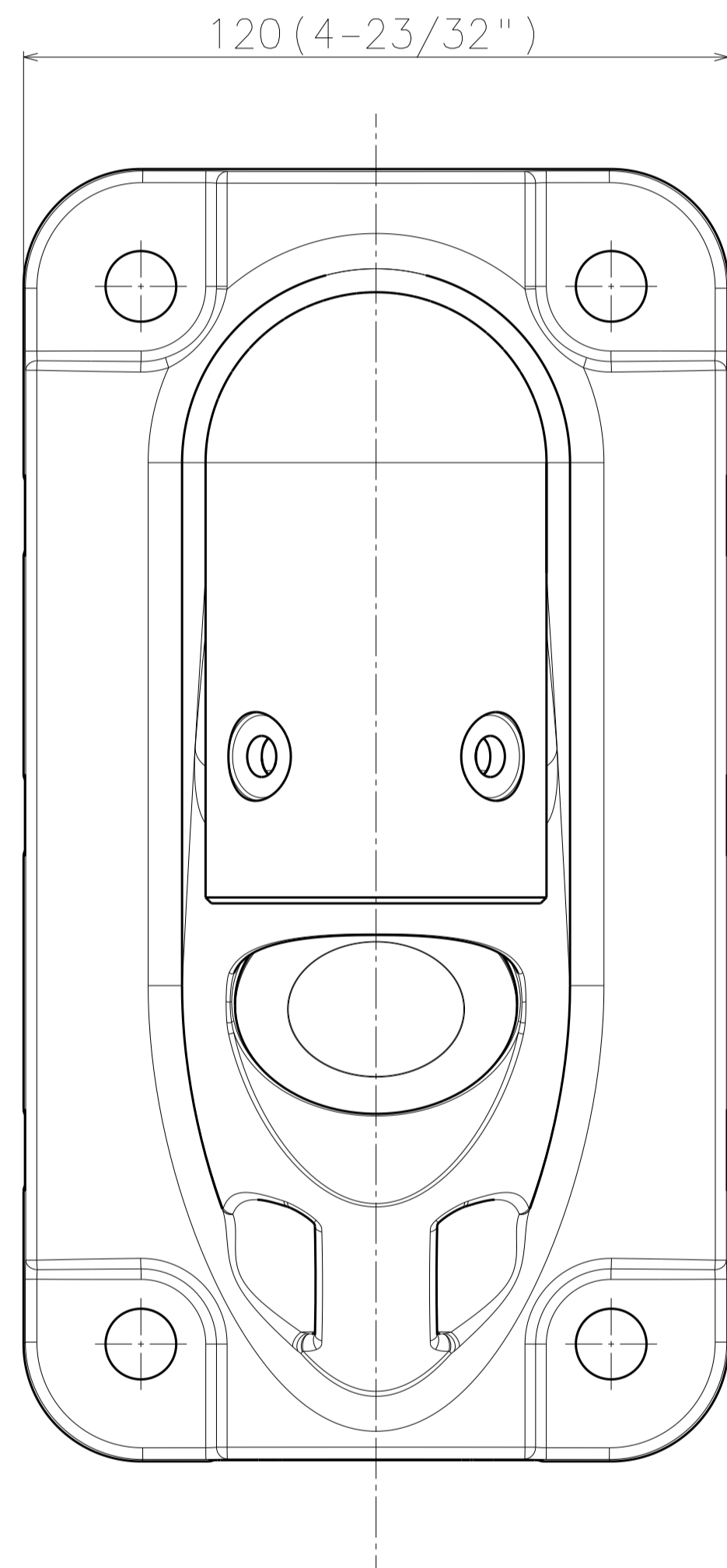
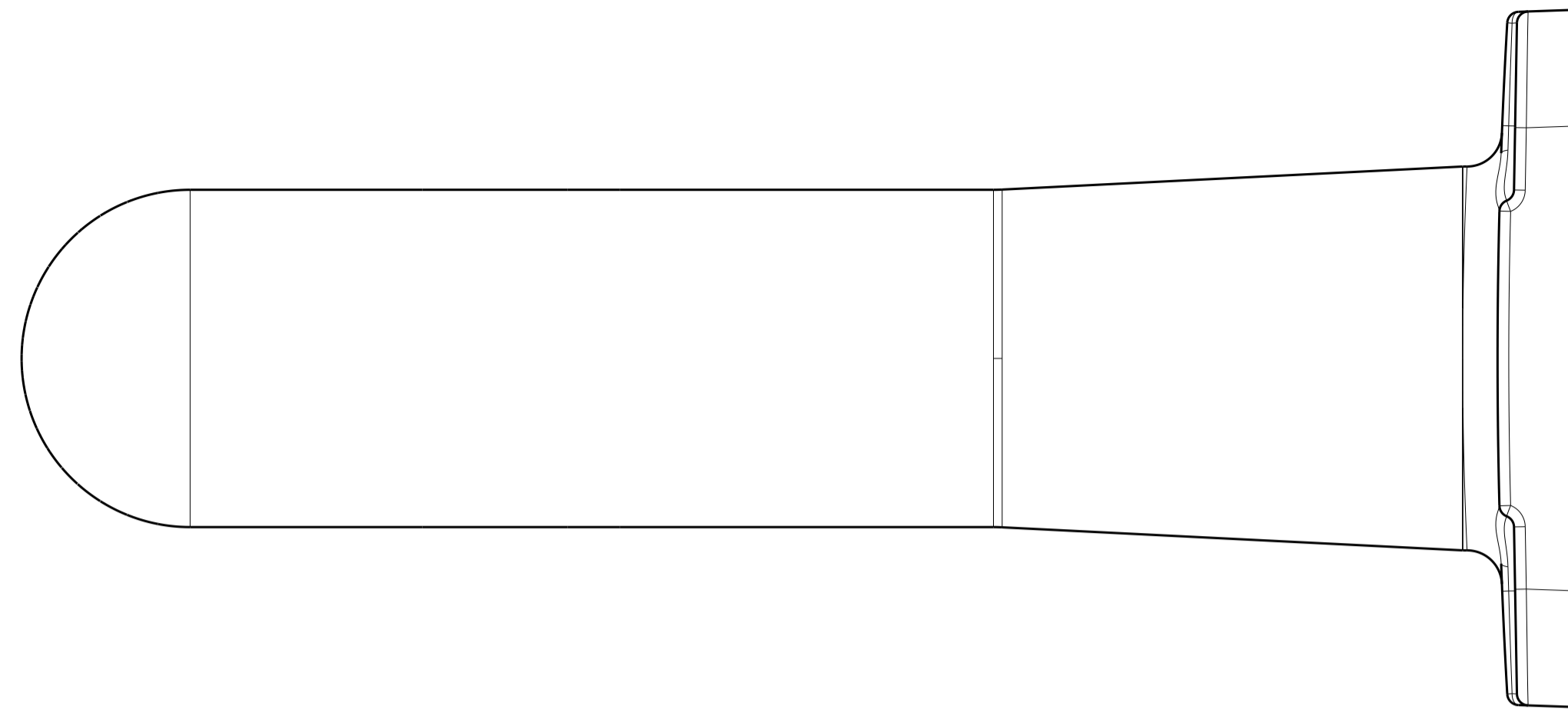
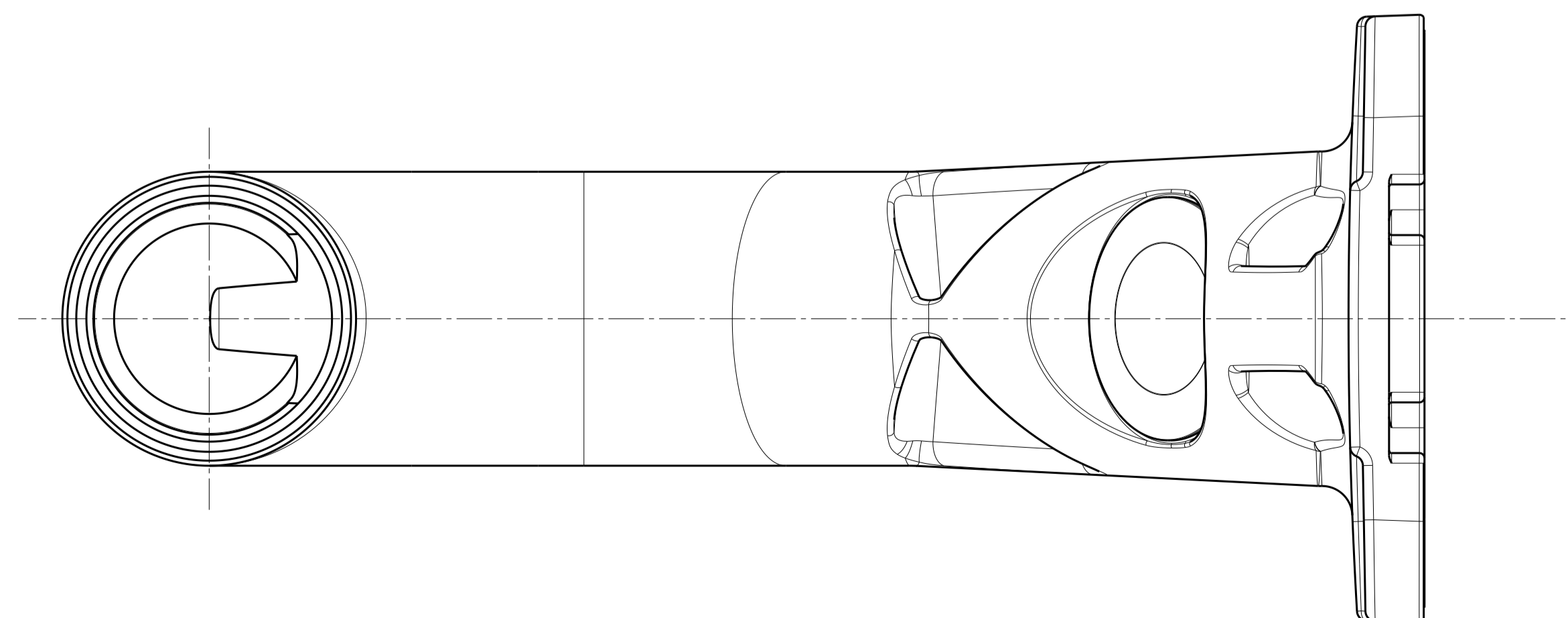
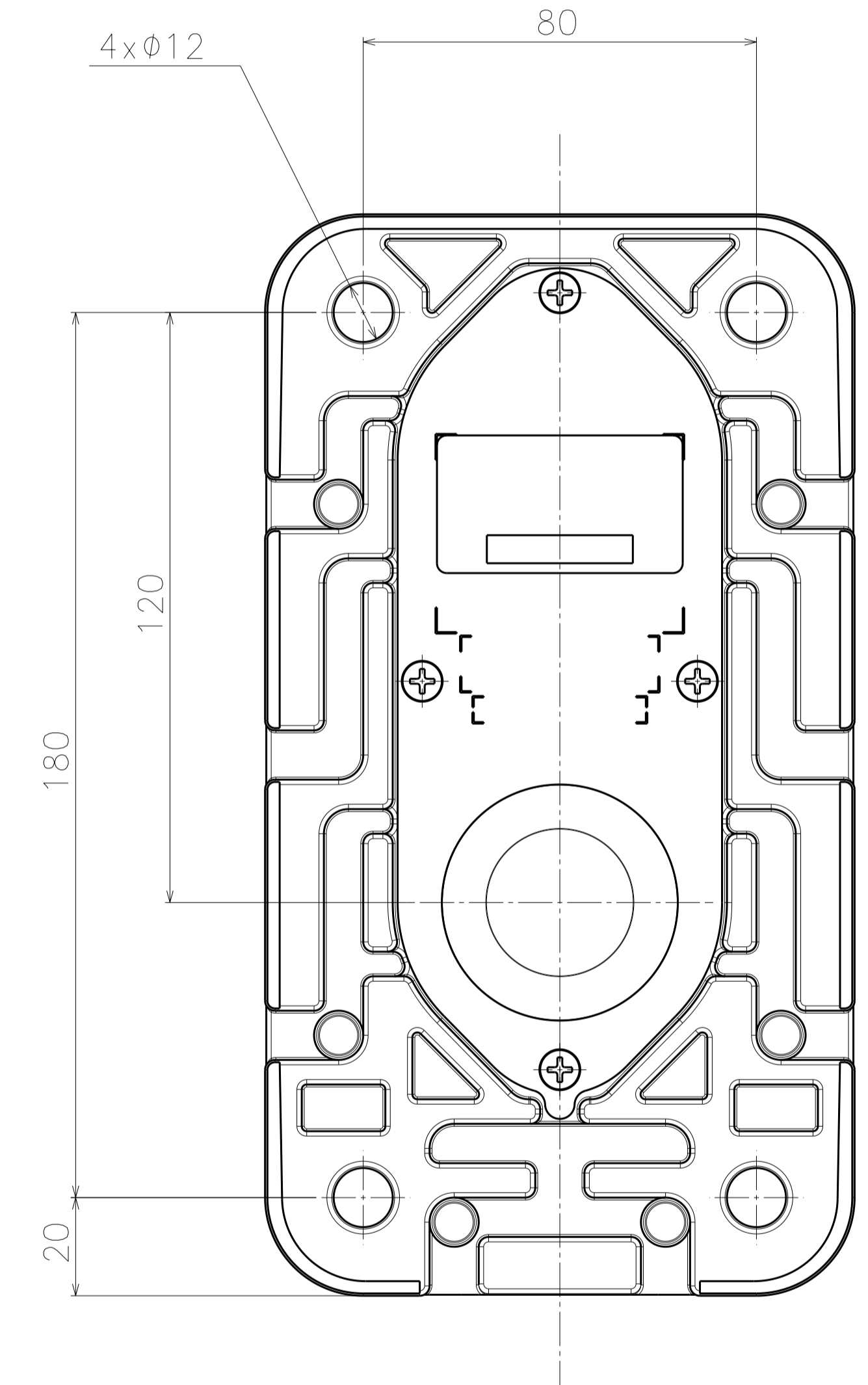
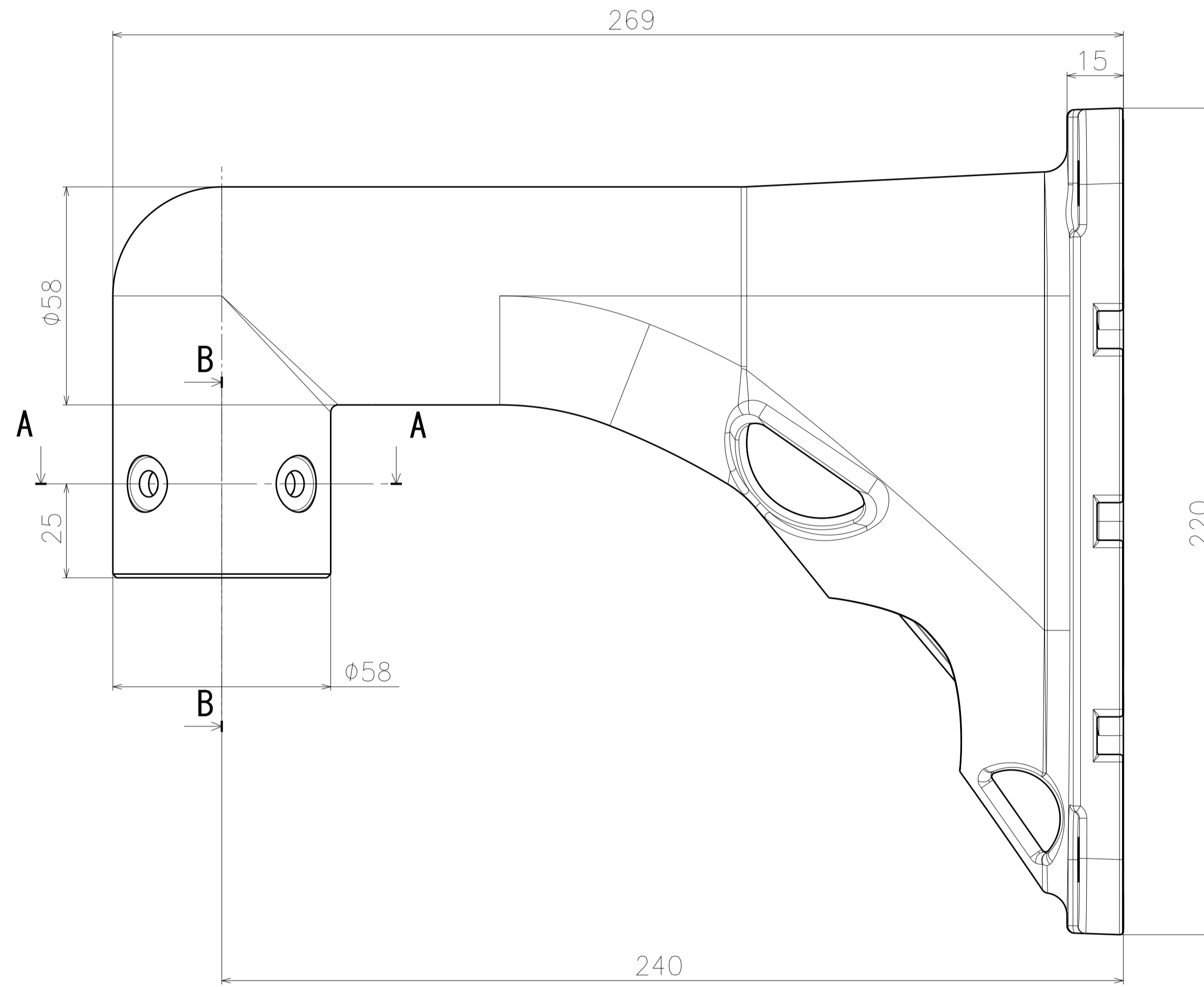


Sec A-A



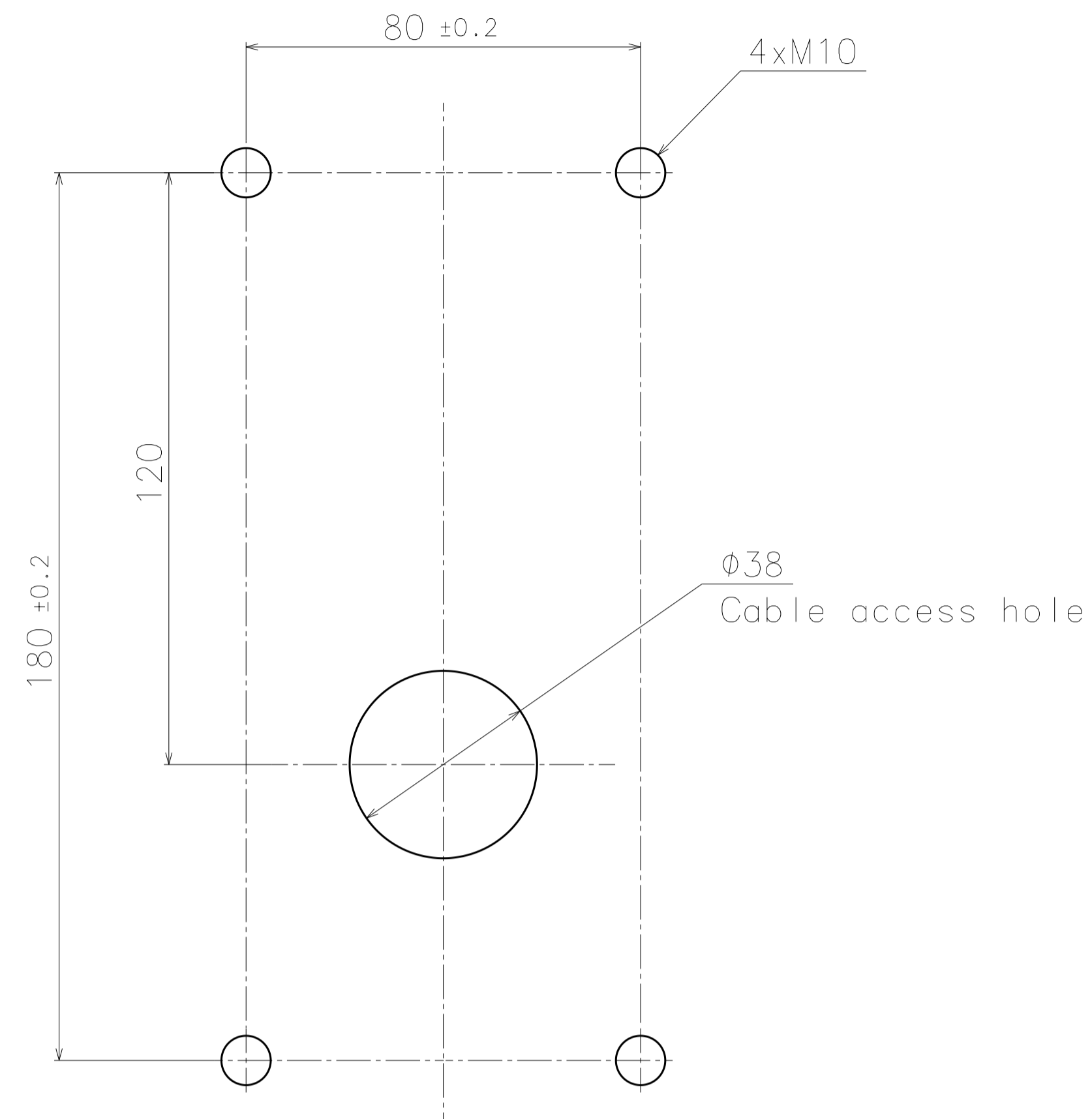
Sec B-B



	投影面積/Projected area
側面図/Side-view	0.027 (m <sup>2</sup> )
平面図/Top-view	0.016 (m <sup>2</sup> )

Mass : Approx. 2 kg {4.42 lbs}

WV-QWL501WUX



取付位置/Mounting position  
(S=1:1)

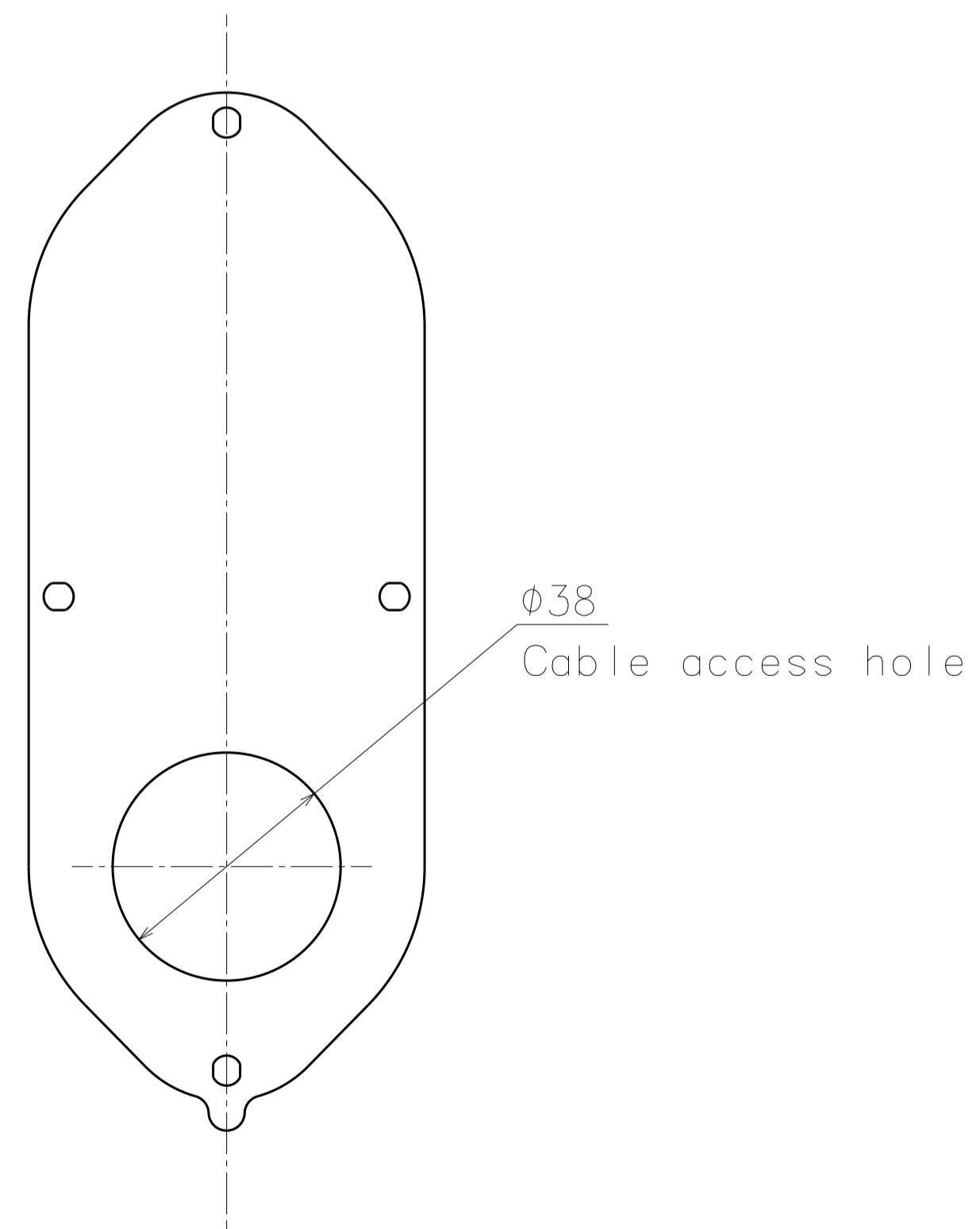
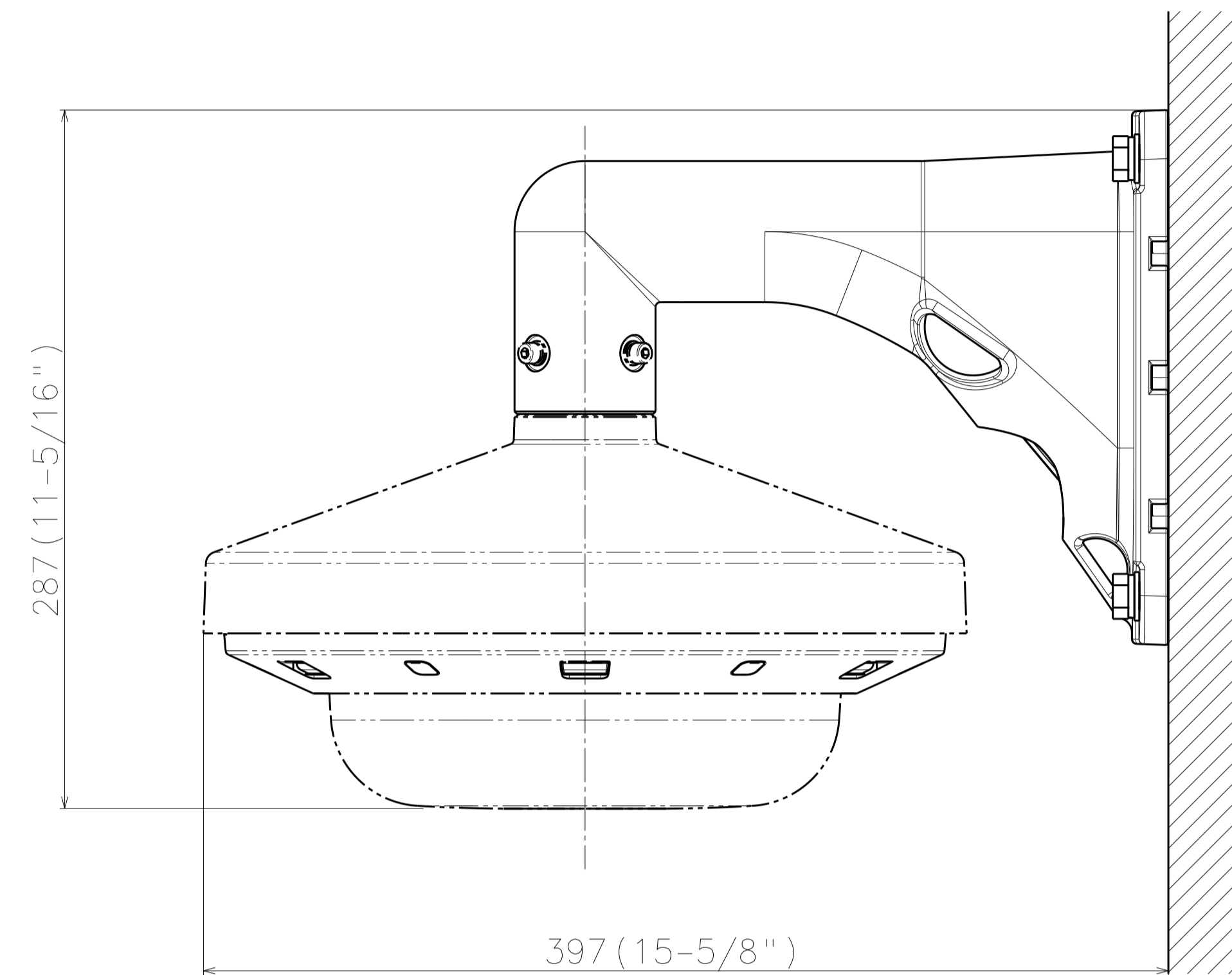


Plate  
(S=1:1)

カメラとの組み合わせ例  
Example of combination with a camera



	投影面積/Projected area
正面図/Front-view	0.051 (m <sup>2</sup> )
側面図/Side-view	0.062 (m <sup>2</sup> )

Attach to WV-S8574LUX & WV-QSR503-W  
(S=1:2)