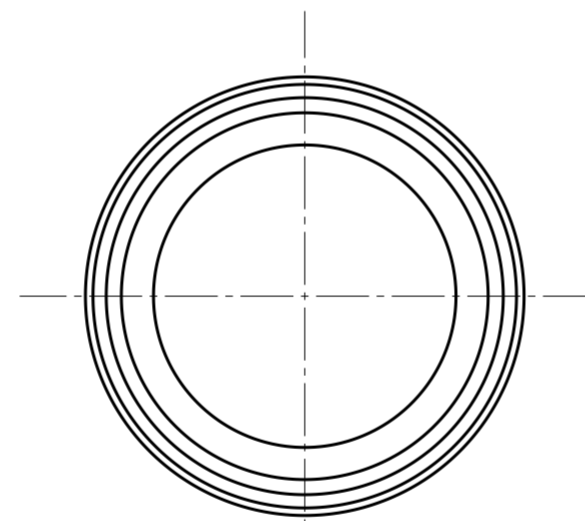
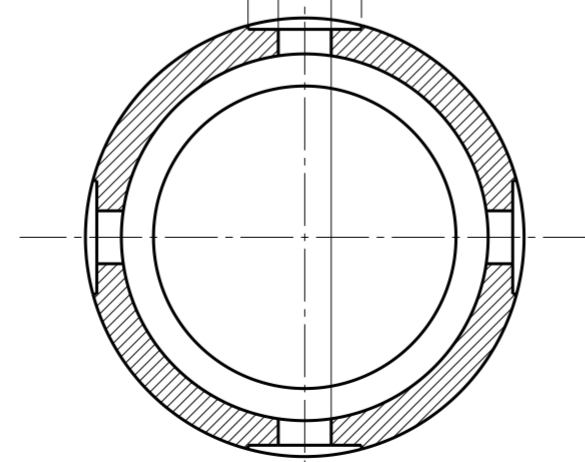


Sec B-B



4x $\phi$ 15  
4x $\phi$ 7



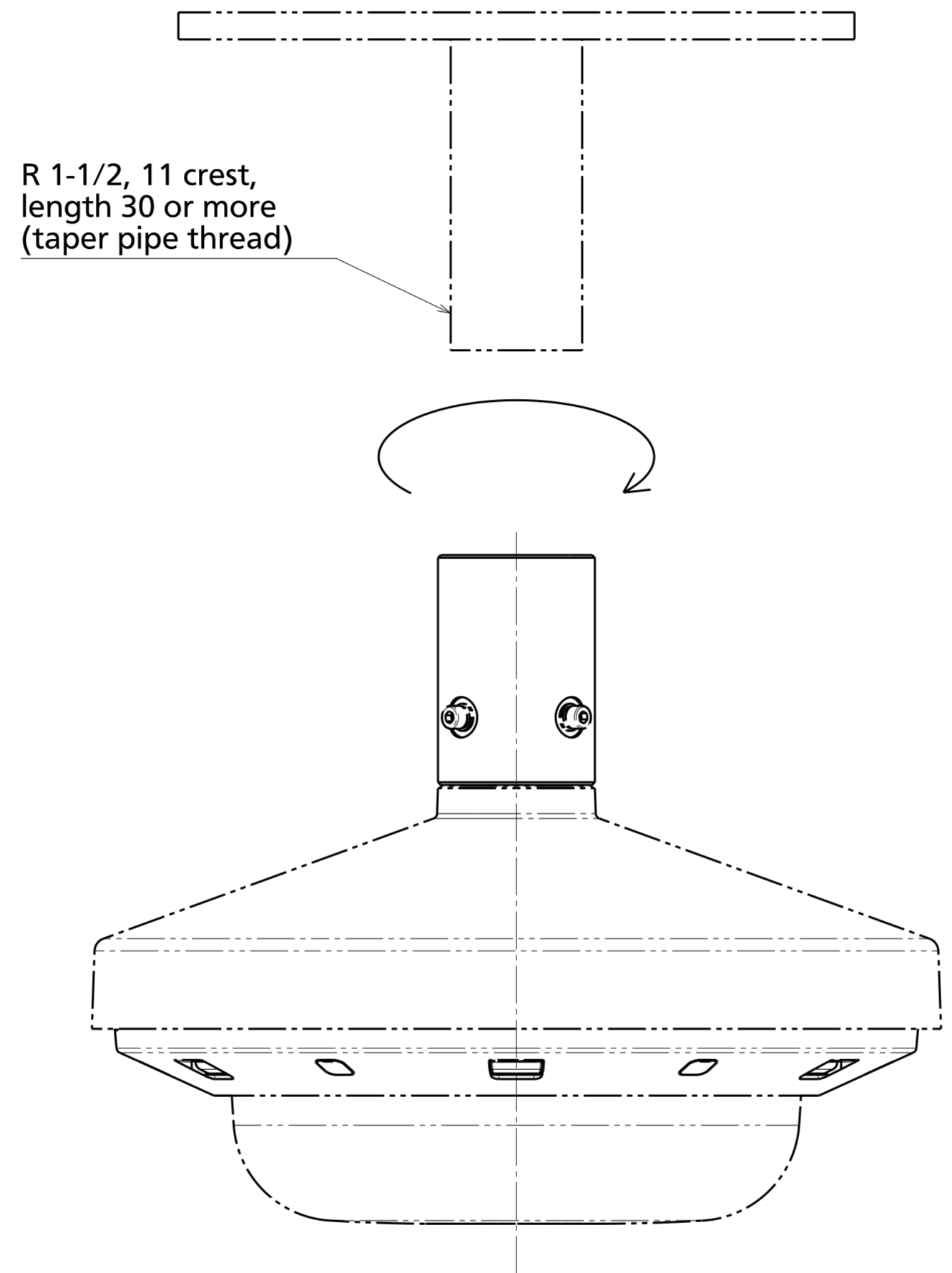
Sec A-A

|                 | 投影面積 (Projected area)     |
|-----------------|---------------------------|
| 側面図 / Side-view | 0.00493 (m <sup>2</sup> ) |

Mass : Approx. 200 g {0.44 lbs}

WV-QAT500-WUX

カメラとの組み合わせ例  
 Example of combination with a camera



|                | 投影面積/Projected area     |
|----------------|-------------------------|
| 正面図/Front-view | 0.004 (m <sup>2</sup> ) |

Attach to WV-S8574LUX & WV-QSR503-W