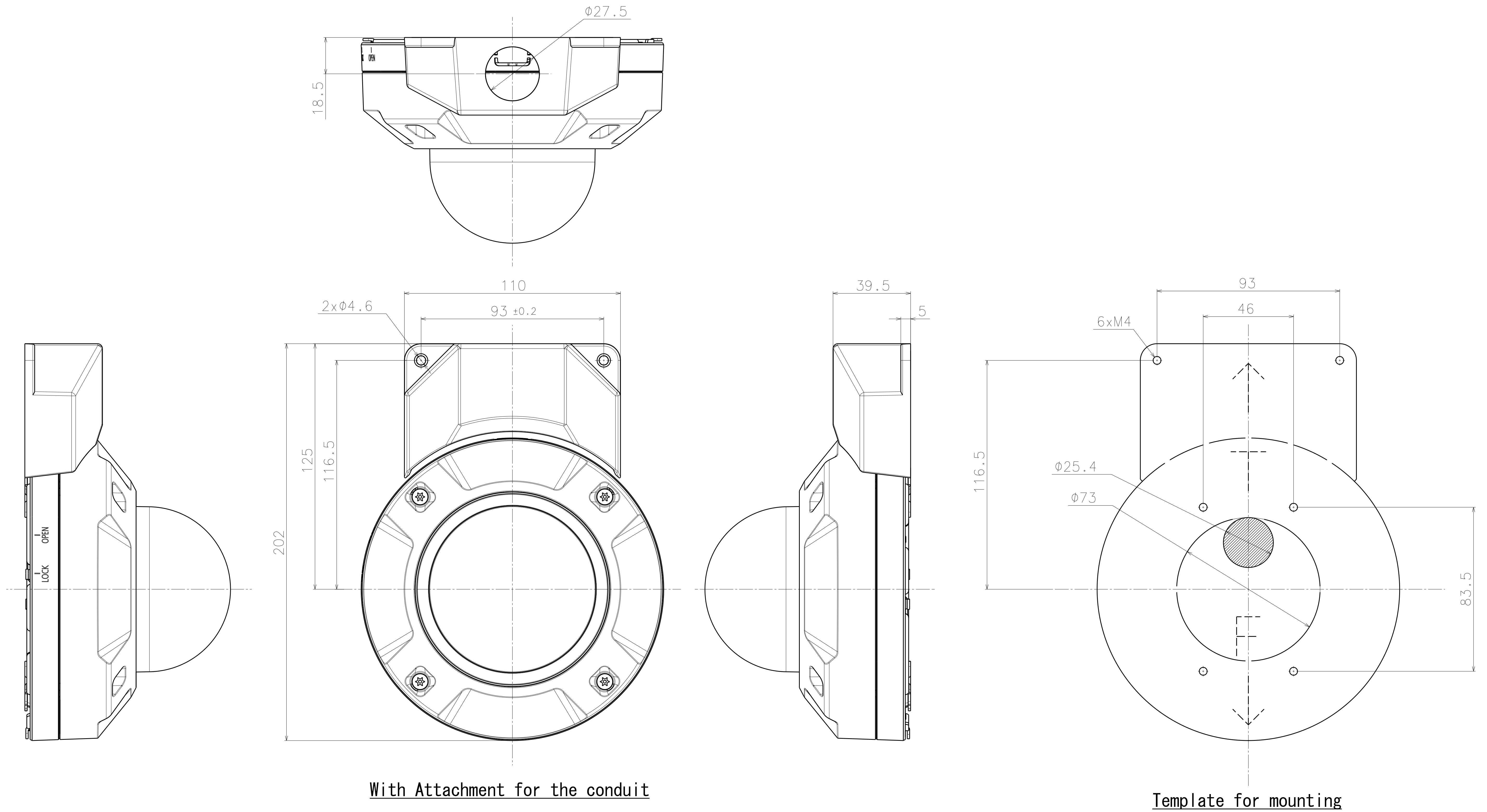


With Attachment plate

Model number	Dome type	Dome coating	Color
WV-S25500-V3LN	Clear dome	ClearSight	i-PRO white
WV-S25500-V3LNJ	Clear dome	ClearSight	i-PRO white
WV-S25500-V3LN1	Clear dome	ClearSight	Black
WV-S25500-V3L	Clear dome	No	i-PRO white
WV-S25500-V3LG	Smoke dome	No	i-PRO white
WV-S25600-V2LN	Clear dome	ClearSight	i-PRO white
WV-S25600-V2L	Clear dome	No	i-PRO white
WV-S25600-V2LG	Smoke dome	No	i-PRO white
WV-S25700-V2LN	Clear dome	ClearSight	i-PRO white
WV-S25700-V2LNJ	Clear dome	ClearSight	i-PRO white
WV-S25700-V2LN1	Clear dome	ClearSight	Black
WV-S25700-V2L	Clear dome	No	i-PRO white
WV-S25700-V2LG	Smoke dome	No	i-PRO white
WV-S25500-F3L	Clear dome	No	i-PRO white
WV-S25500-F6L	Clear dome	No	i-PRO white
WV-S25500-V3LNV	Clear dome	ClearSight	i-PRO white
WV-S25600-V2LNV	Clear dome	ClearSight	i-PRO white
WV-S25700-V2LNV	Clear dome	ClearSight	i-PRO white
WV-S25500-F3LV	Clear dome	No	i-PRO white
WV-S25500-F6LV	Clear dome	No	i-PRO white
WV-S25500-V3LN1V	Clear dome	ClearSight	Black
WV-S25500-V3LGV	Smoke dome	No	i-PRO white
WV-S25600-V2LGV	Smoke dome	No	i-PRO white
WV-S25700-V2LN1V	Clear dome	ClearSight	Black
WV-S25700-V2LGV	Smoke dome	No	i-PRO white

側面図/Side-view	投影面積/Projected area
	0.011 (m ²)

Mass : Approx. 1.1 kg {2.43 lbs} (Excluding attachment for the conduit portion)

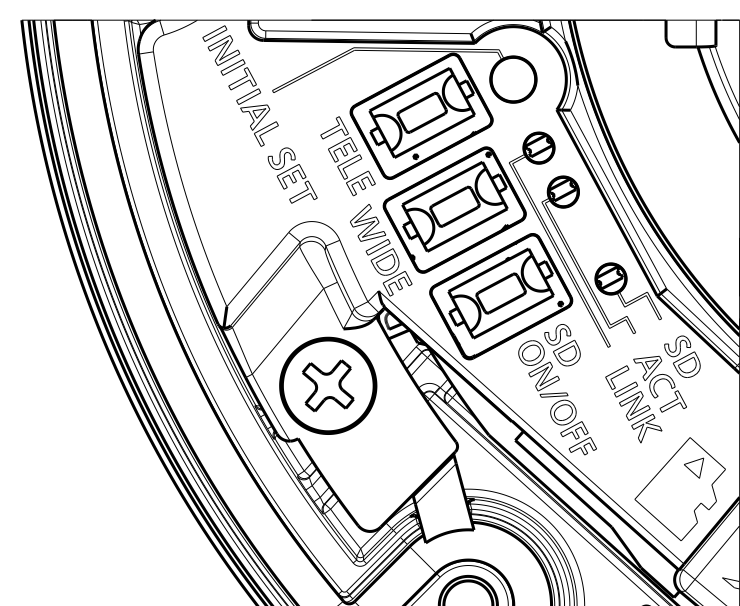
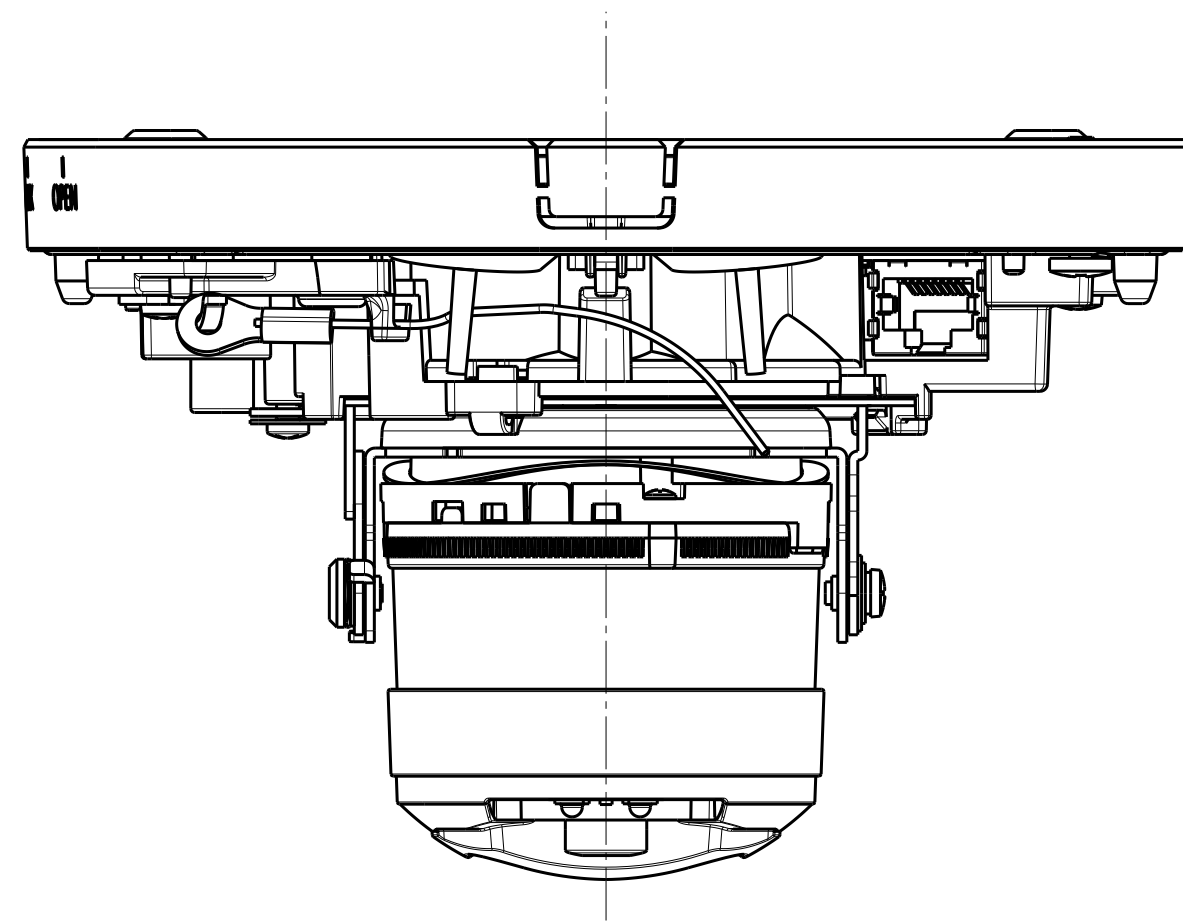


Model number	Color
WV-S25500-V3LN	i-PRO white
WV-S25500-V3LNJ	i-PRO white
WV-S25500-V3LN1	Black
WV-S25500-V3L	i-PRO white
WV-S25500-V3LG	i-PRO white
WV-S25600-V2LN	i-PRO white
WV-S25600-V2L	i-PRO white
WV-S25600-V2LG	i-PRO white
WV-S25700-V2LN	i-PRO white
WV-S25700-V2LNJ	i-PRO white
WV-S25700-V2LN1	Black
WV-S25700-V2L	i-PRO white
WV-S25700-V2LG	i-PRO white
WV-S25500-F3L	i-PRO white
WV-S25500-F6L	i-PRO white

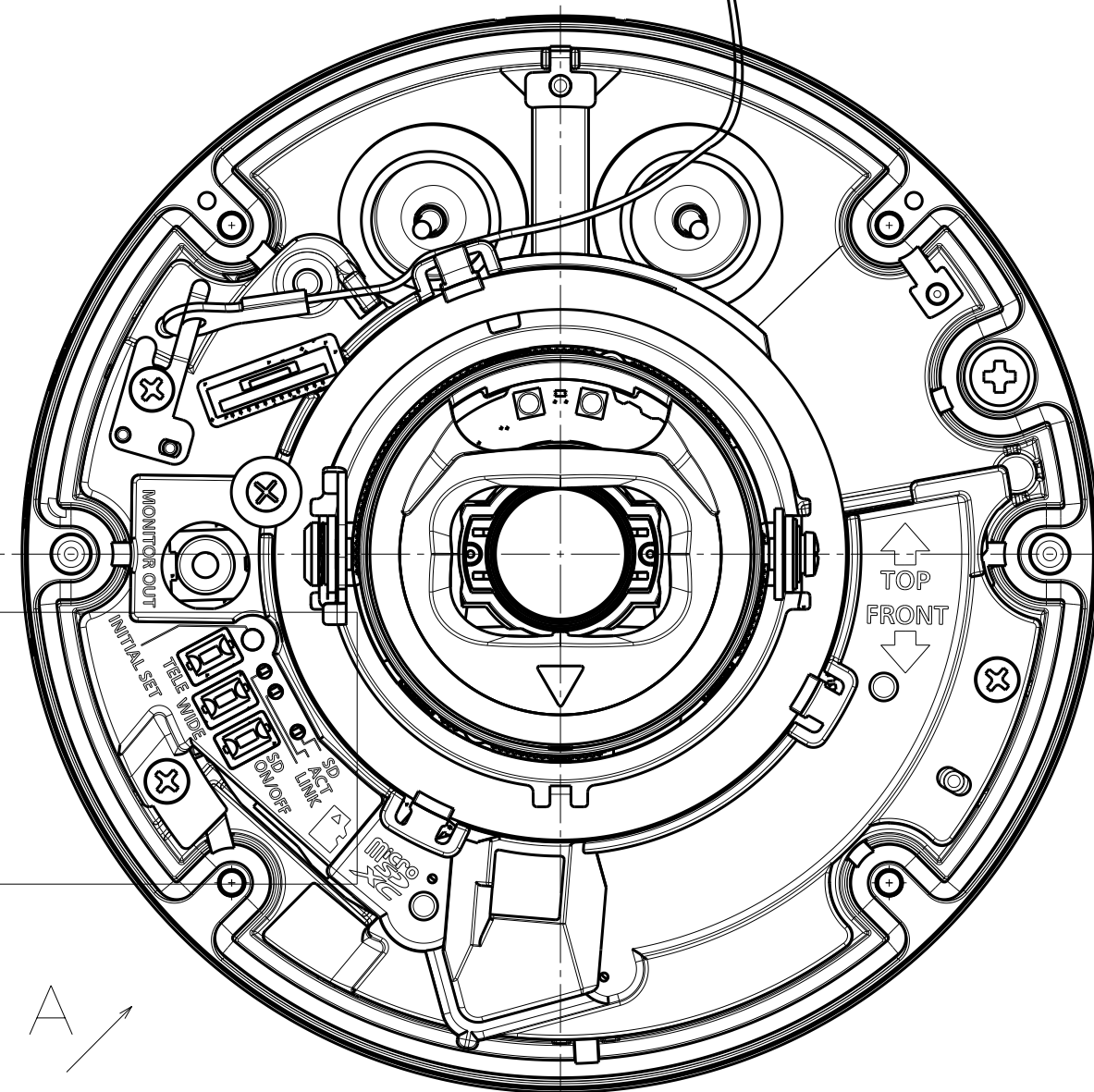
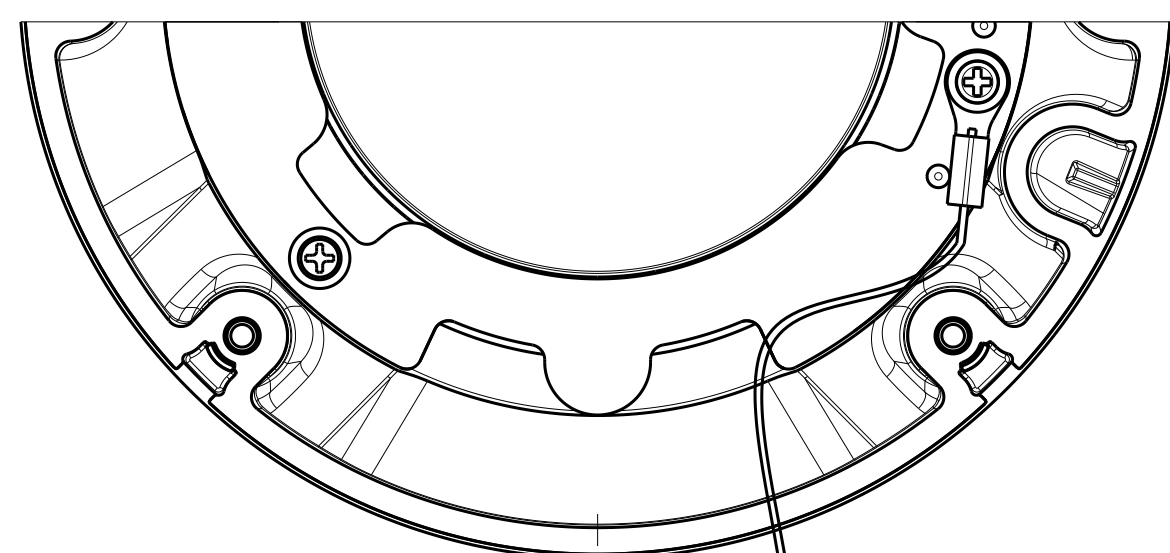
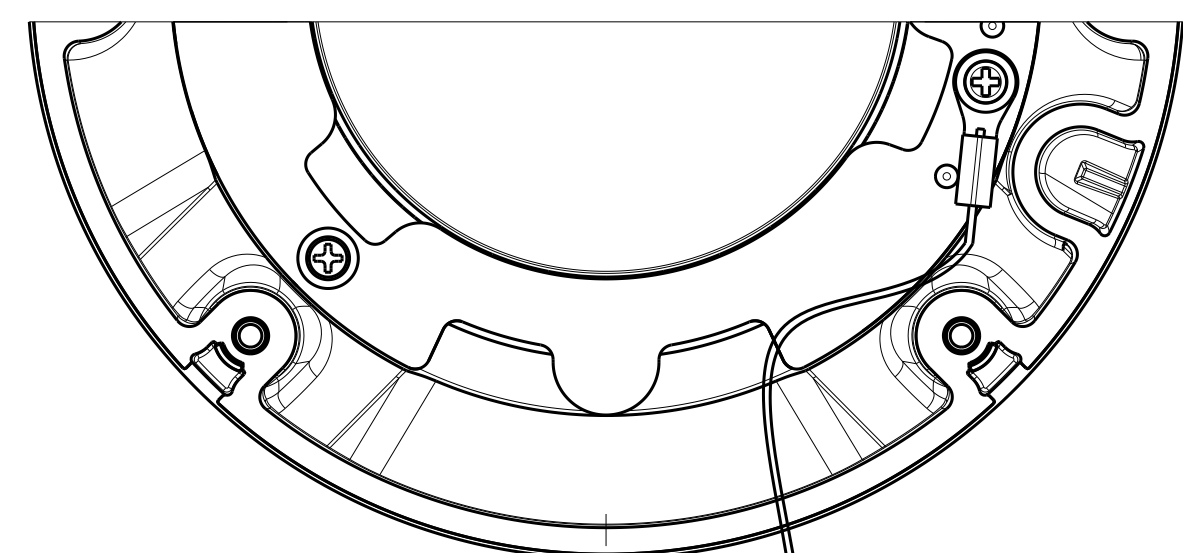
Model number	Color
WV-S25500-V3LNV	i-PRO white
WV-S25600-V2LNV	i-PRO white
WV-S25700-V2LNV	i-PRO white
WV-S25500-F3LV	i-PRO white
WV-S25500-F6LV	i-PRO white
WV-S25500-V3LN1V	Black
WV-S25500-V3LGV	i-PRO white
WV-S25600-V2LGV	i-PRO white
WV-S25700-V2LN1V	Black
WV-S25700-V2LGV	i-PRO white

側面図/Side-view	投影面積/Projected area
	0.013 (m ²)

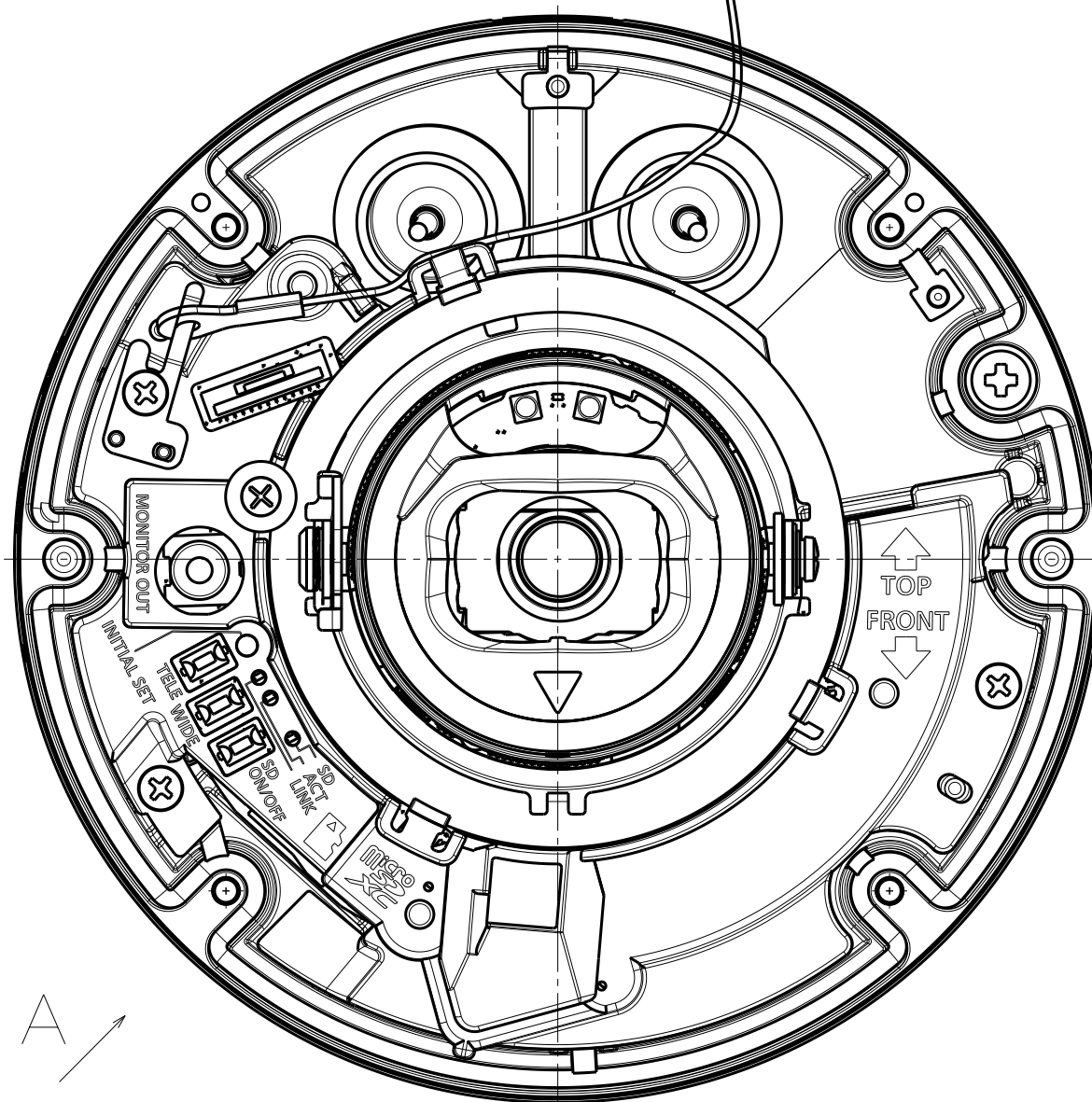
Mass : Approx. 1.15 kg {2.54 lbs} (With Attachment for the conduit)



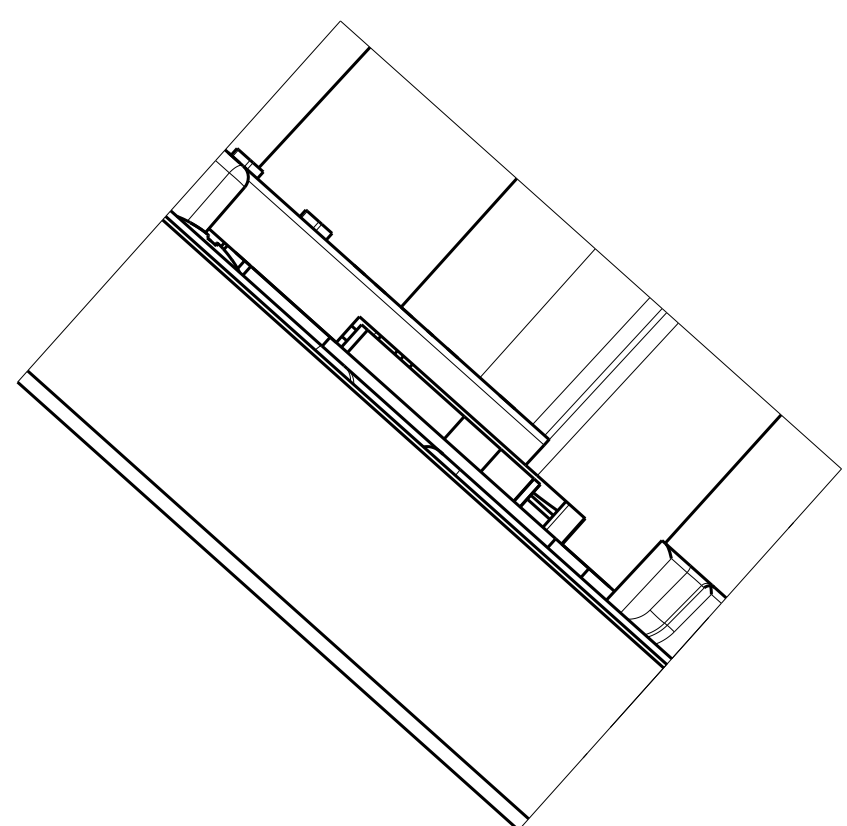
Detail B (2:1)



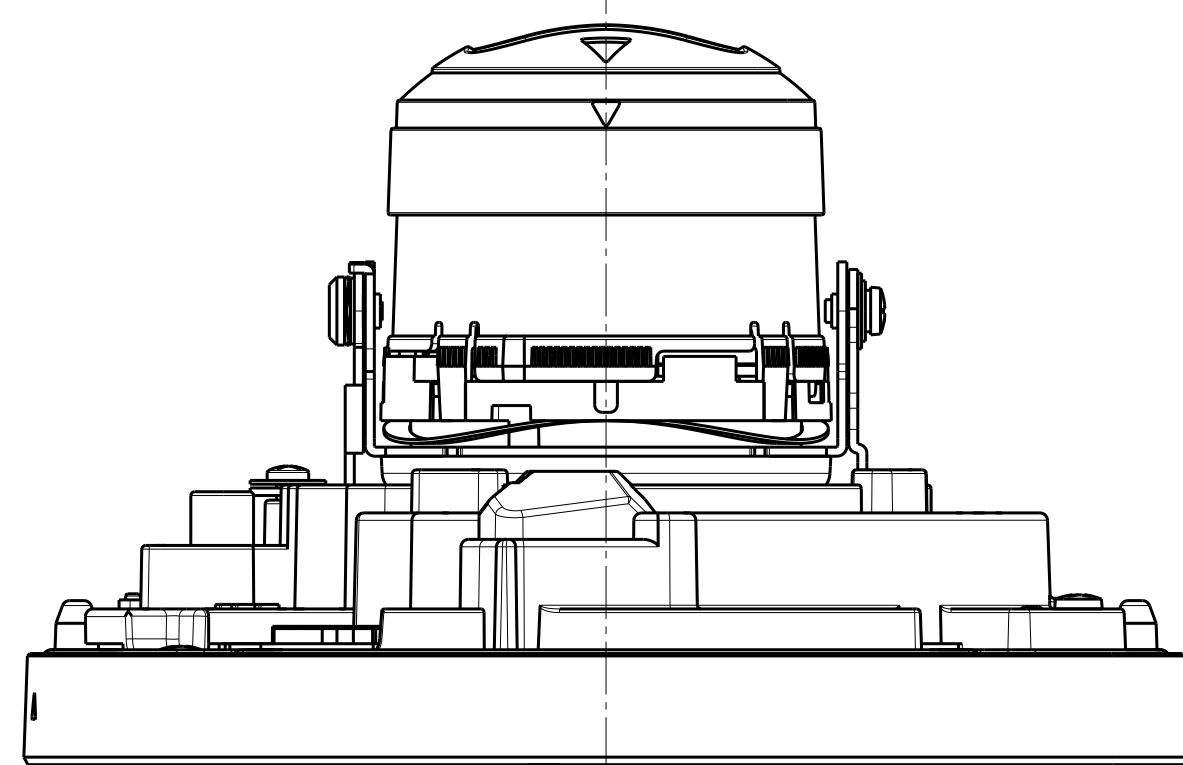
Lens type : 5M, 6M, 4K



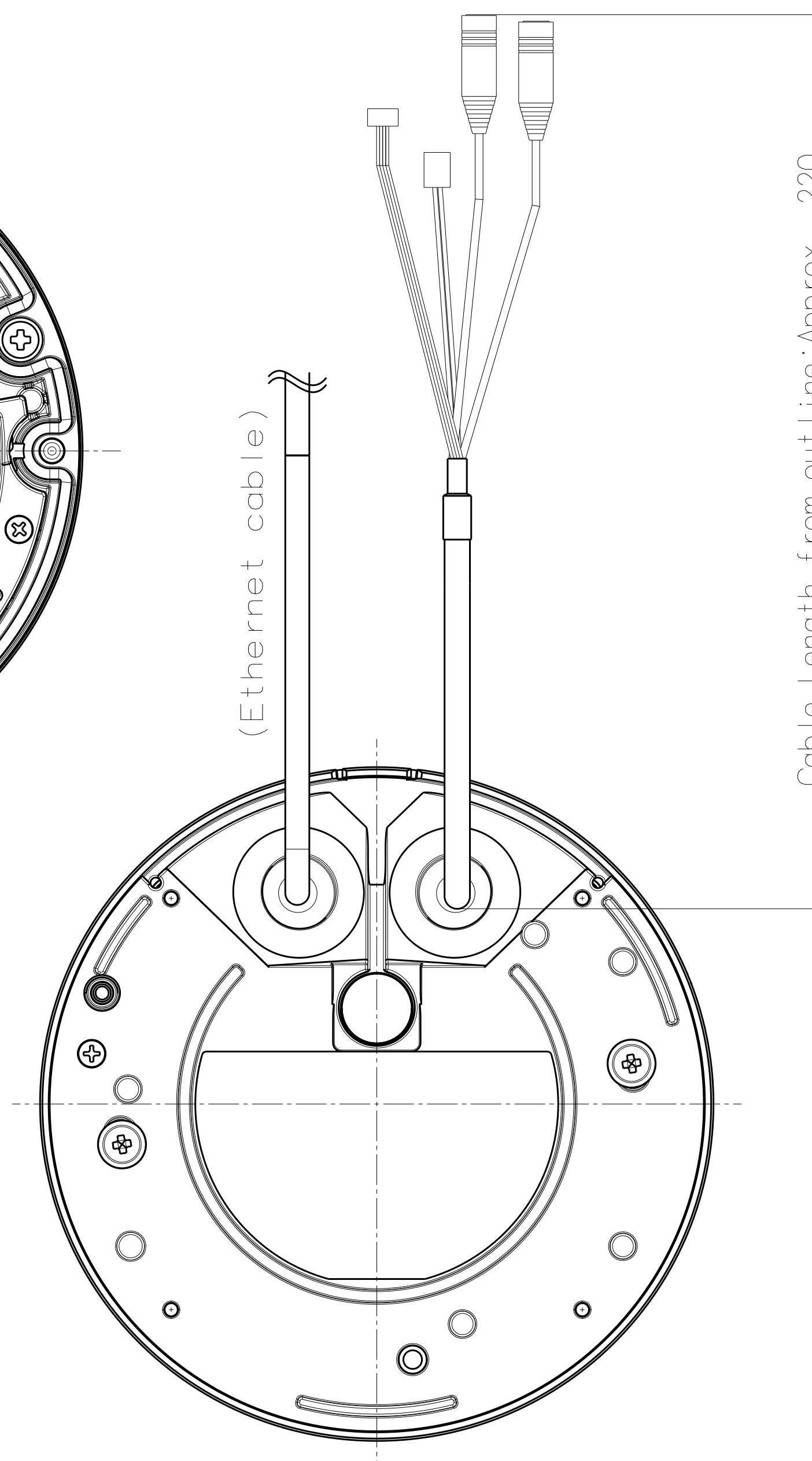
Lens type : 5M FIX



View A (2:1)



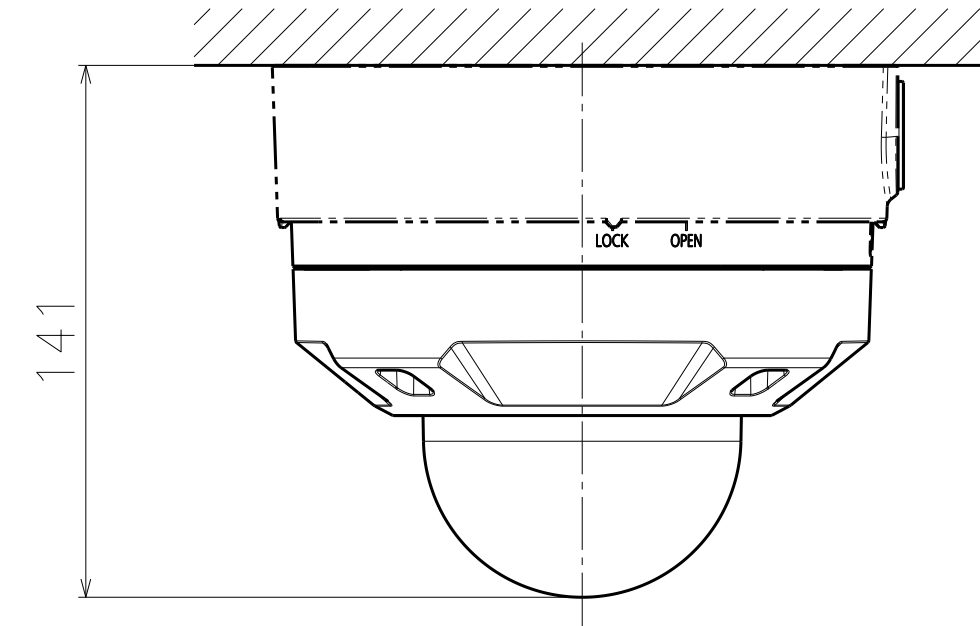
Without Enclosure



Cable Length from outline: Approx. 220
(Optional accessory)

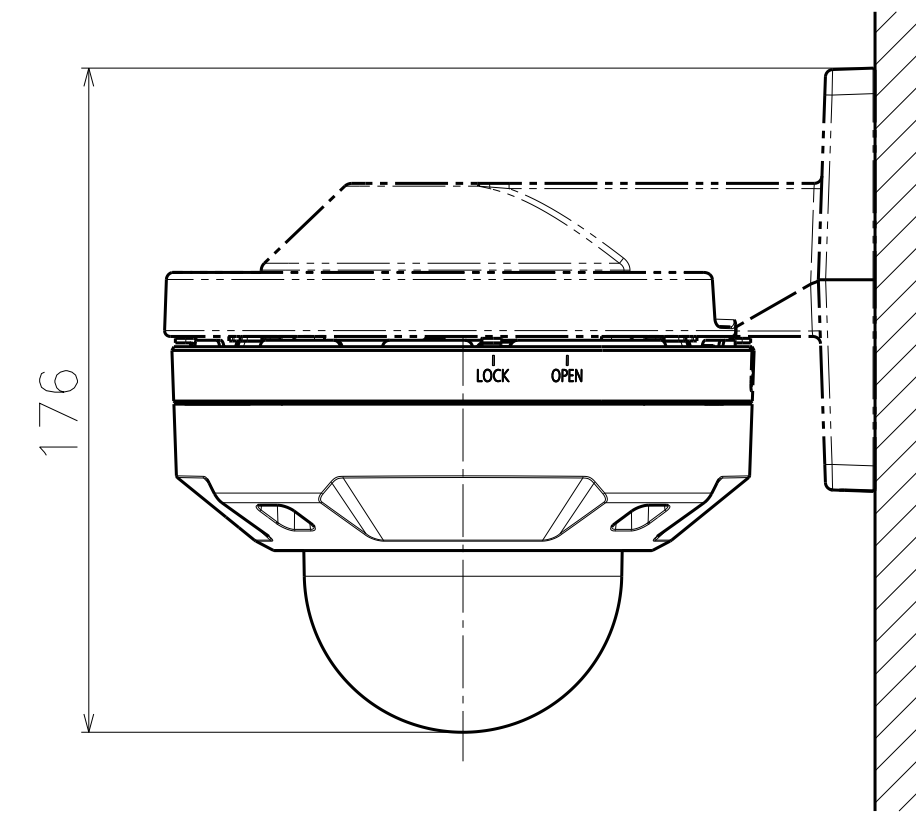
Model number	Lens type
WV-S25500-V3LN	5M
WV-S25500-V3LNJ	
WV-S25500-V3LN1	
WV-S25500-V3L	
WV-S25500-V3LG	
WV-S25600-V2LN	6M
WV-S25600-V2L	
WV-S25600-V2LG	
WV-S25700-V2LN	4K
WV-S25700-V2LNJ	
WV-S25700-V2LN1	
WV-S25700-V2L	
WV-S25700-V2LG	
WV-S25500-F3L	5M FIX
WV-S25500-F6L	
WV-S25500-V3LNV	5M
WV-S25600-V2LNV	6M
WV-S25700-V2LNV	4K
WV-S25500-F3LV	5M FIX
WV-S25500-F6LV	
WV-S25500-V3LN1V	5M
WV-S25500-V3LGV	6M
WV-S25600-V2LGV	6M
WV-S25700-V2LN1V	4K
WV-S25700-V2LGV	

金具との組み合わせ例
Example of combination with bracket



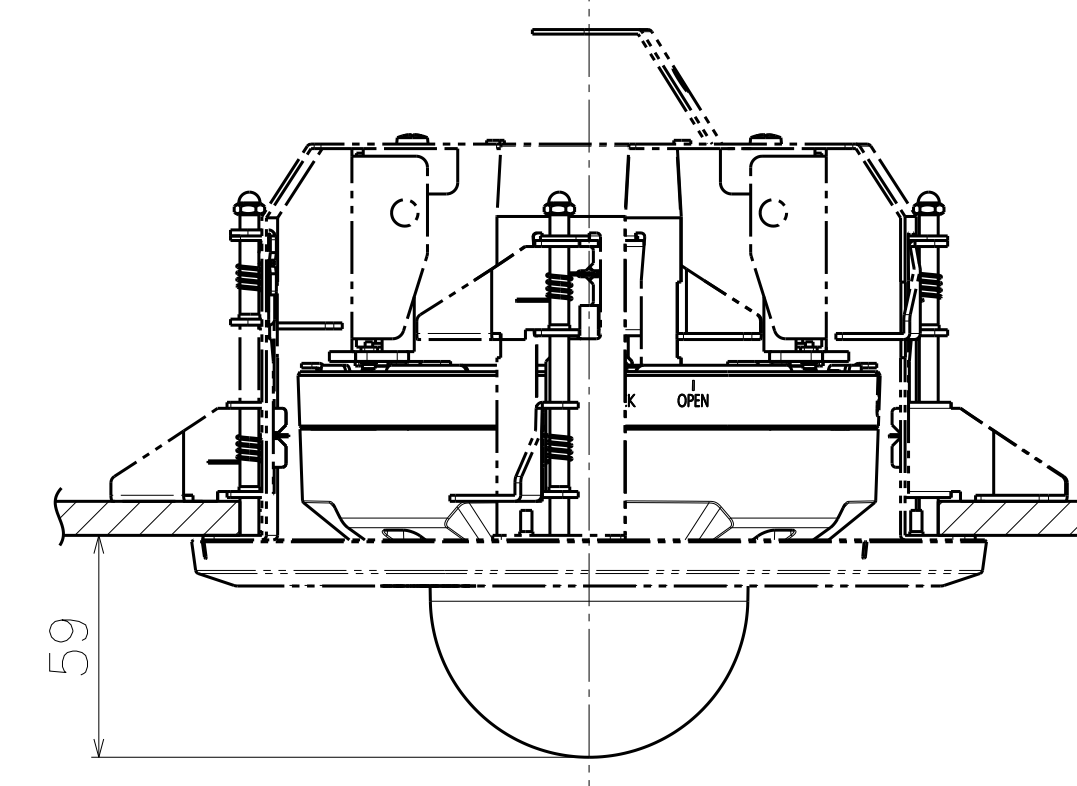
Attach to WV-QJB501**

	投影面積/Projected area
側面図/Side-view	0.017(m ²)

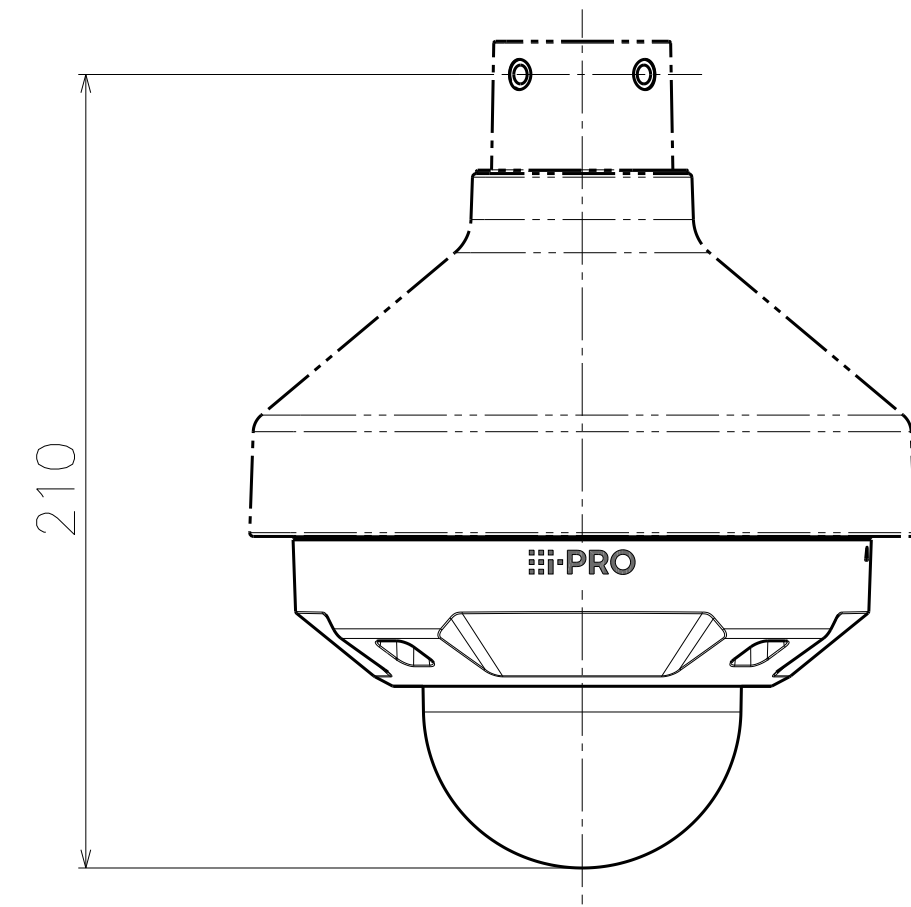


Attach to WV-QWL500**

	投影面積/Projected area
側面図/Side-view	0.019(m ²)

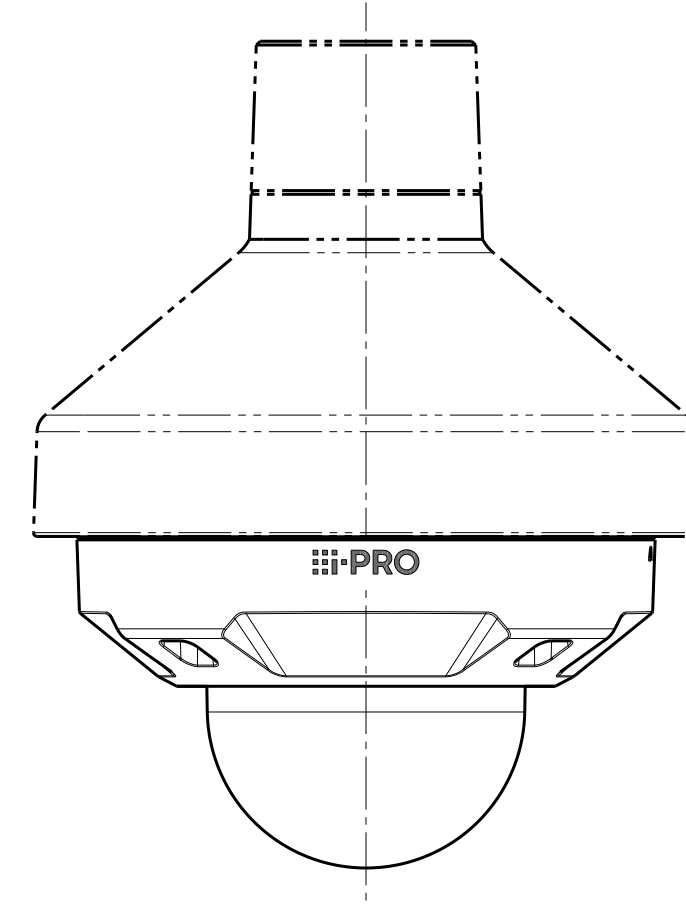


Attach to WV-QEM500**



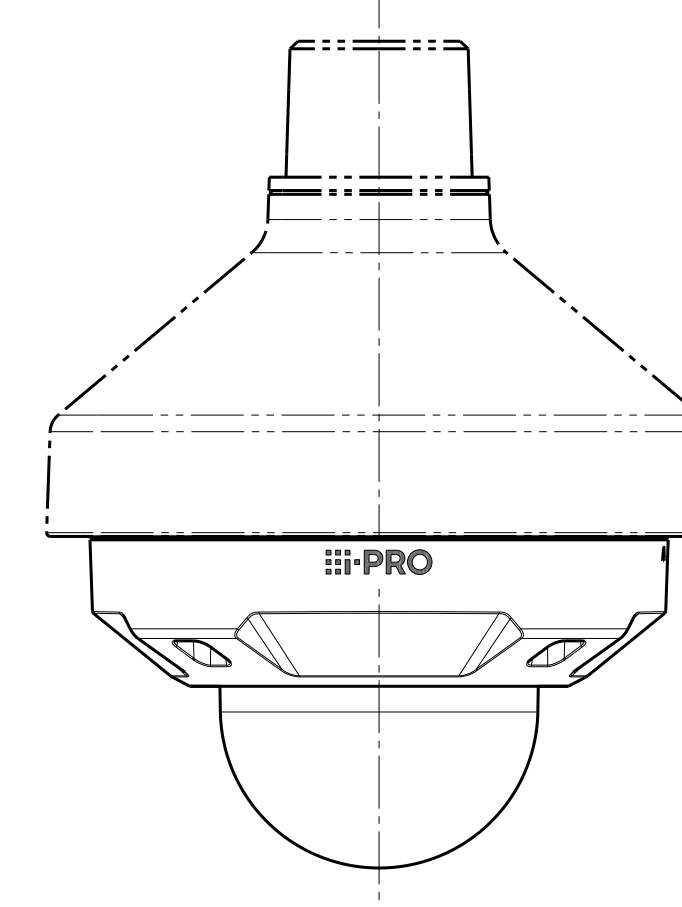
Attach to WV-QSR501**

	投影面積/Projected area
側面図/Side-view	0.021(m ²)



Attach to WV-QSR501F**

	投影面積/Projected area
側面図/Side-view	0.023(m ²)



Attach to WV-QSR501M**

	投影面積/Projected area
側面図/Side-view	0.021(m ²)

Model number
WV-S25500-V3LN
WV-S25500-V3LNJ
WV-S25500-V3LN1
WV-S25500-V3L
WV-S25500-V3LG
WV-S25600-V2LN
WV-S25600-V2L
WV-S25600-V2LG
WV-S25700-V2LN
WV-S25700-V2LNJ
WV-S25700-V2LN1
WV-S25700-V2L
WV-S25700-V2LG
WV-S25500-F3L
WV-S25500-F6L
WV-S25500-V3LNV
WV-S25600-V2LNV
WV-S25700-V2LNV
WV-S25500-F3LV
WV-S25500-F6LV
WV-S25500-V3LN1V
WV-S25500-V3LGV
WV-S25600-V2LGV
WV-S25700-V2LN1V
WV-S25700-V2LGV