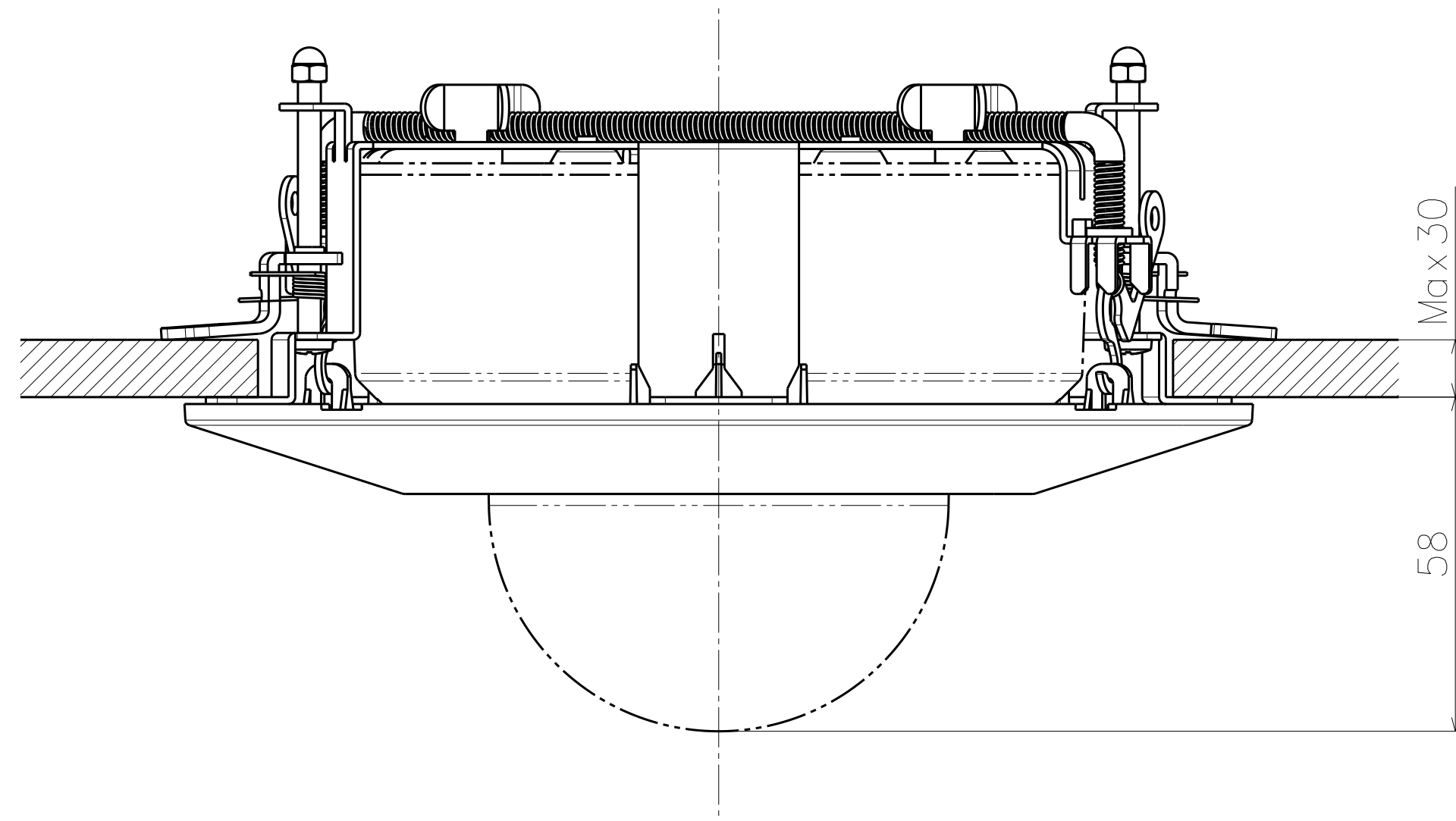


Model number	Color
WV-QEM100WUX (WV-QEM100WUXYS)	i-PRO white
WV-QEM100BUX (WV-QEM100BUXJYS)	Black

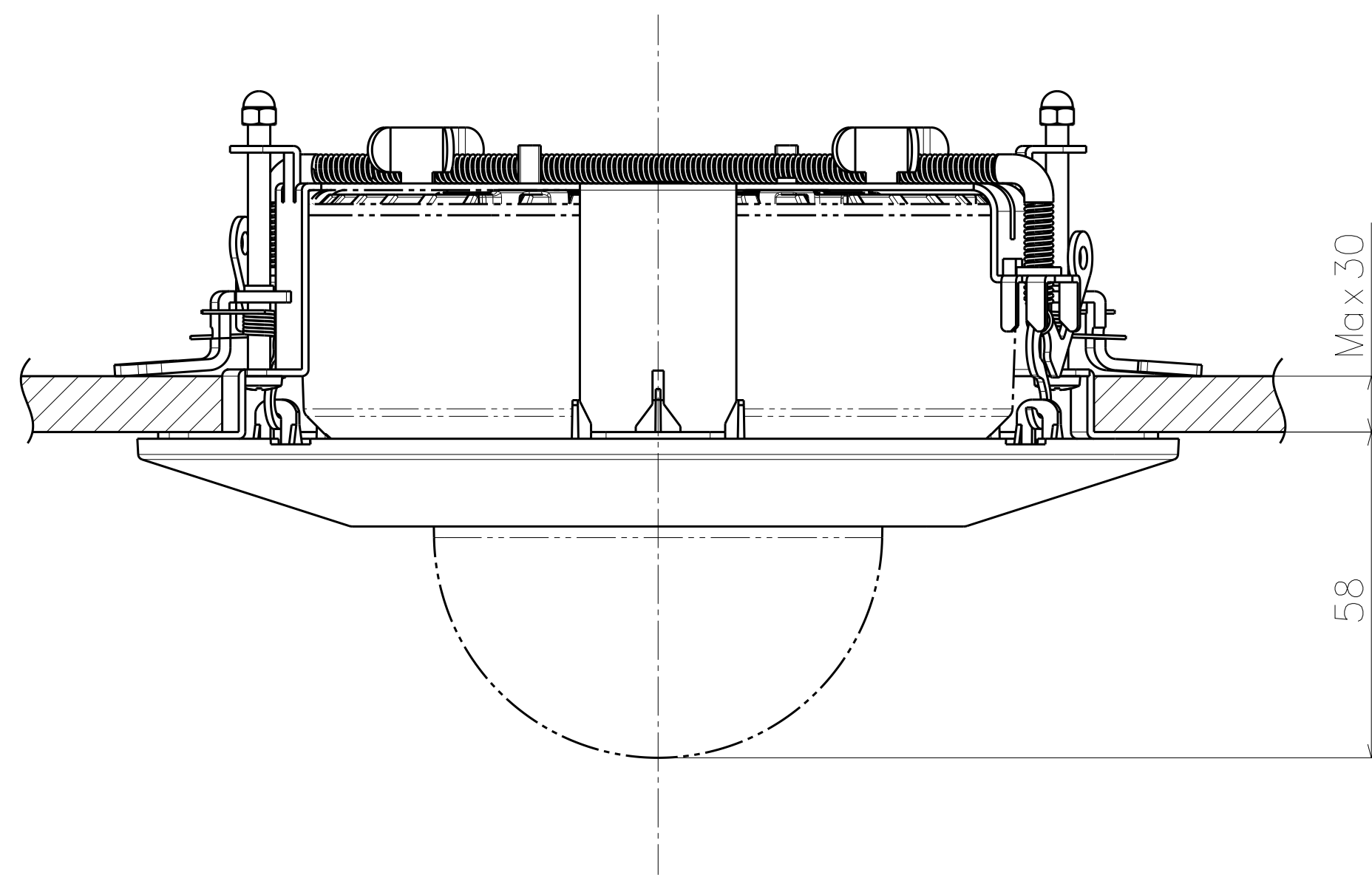
Mass : Approx. 350 g {0.73 lbs}

WV-QEM100WUX

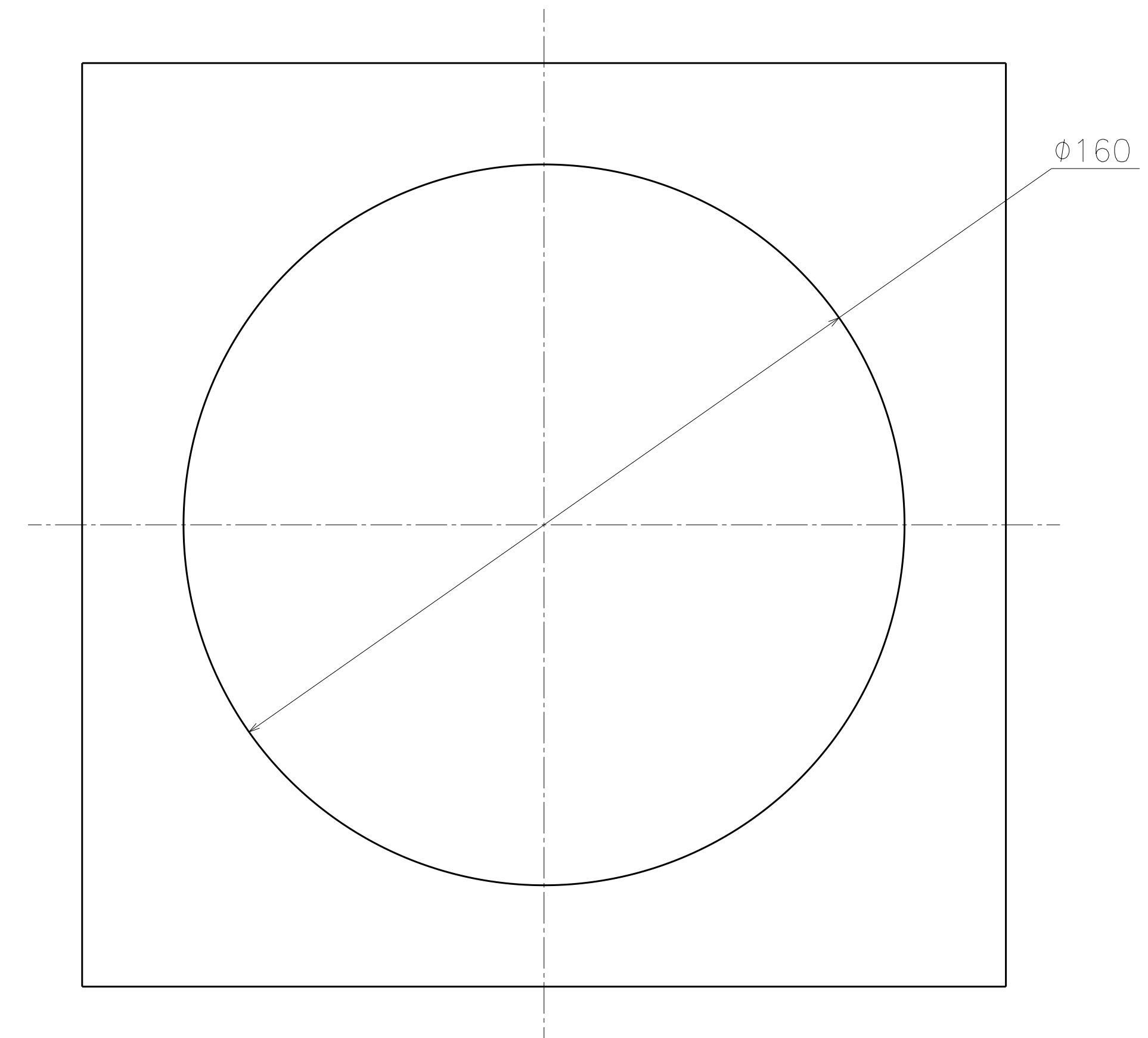


Attach to WV-U2132LAUX

WV-QEM100BUX



Attach to WV-S2136LBUX



Template for mounting

Model number	Color
WV-QEM100WUX (WV-QEM100WUXYS)	i-PRO white
WV-QEM100BUX (WV-QEM100BUXJYS)	Black