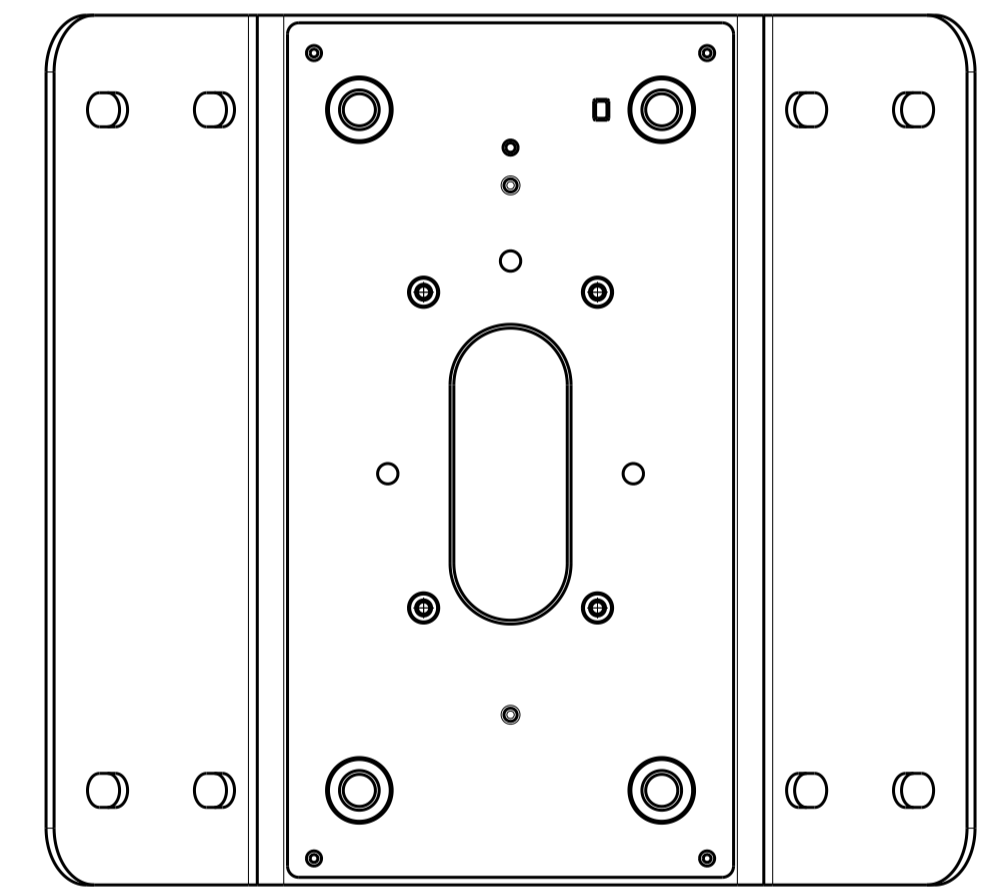
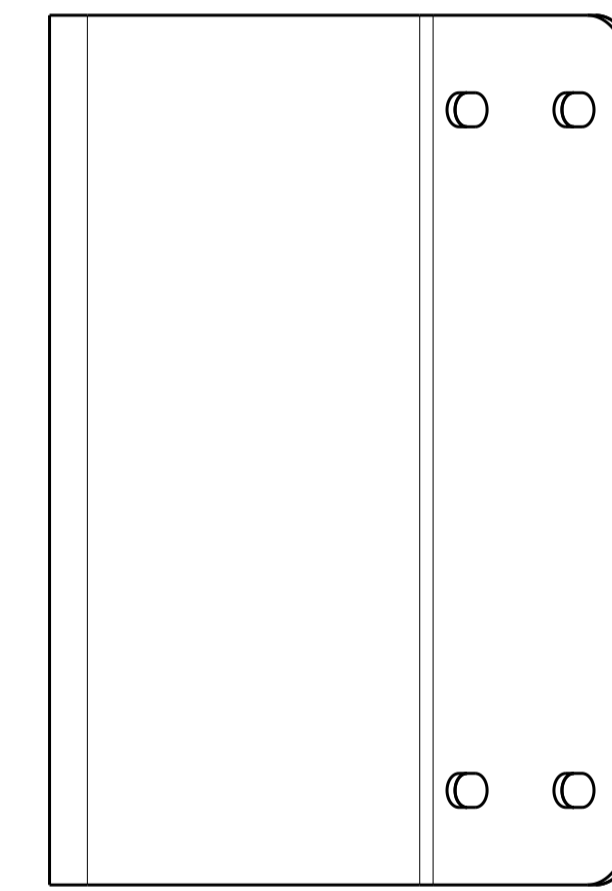
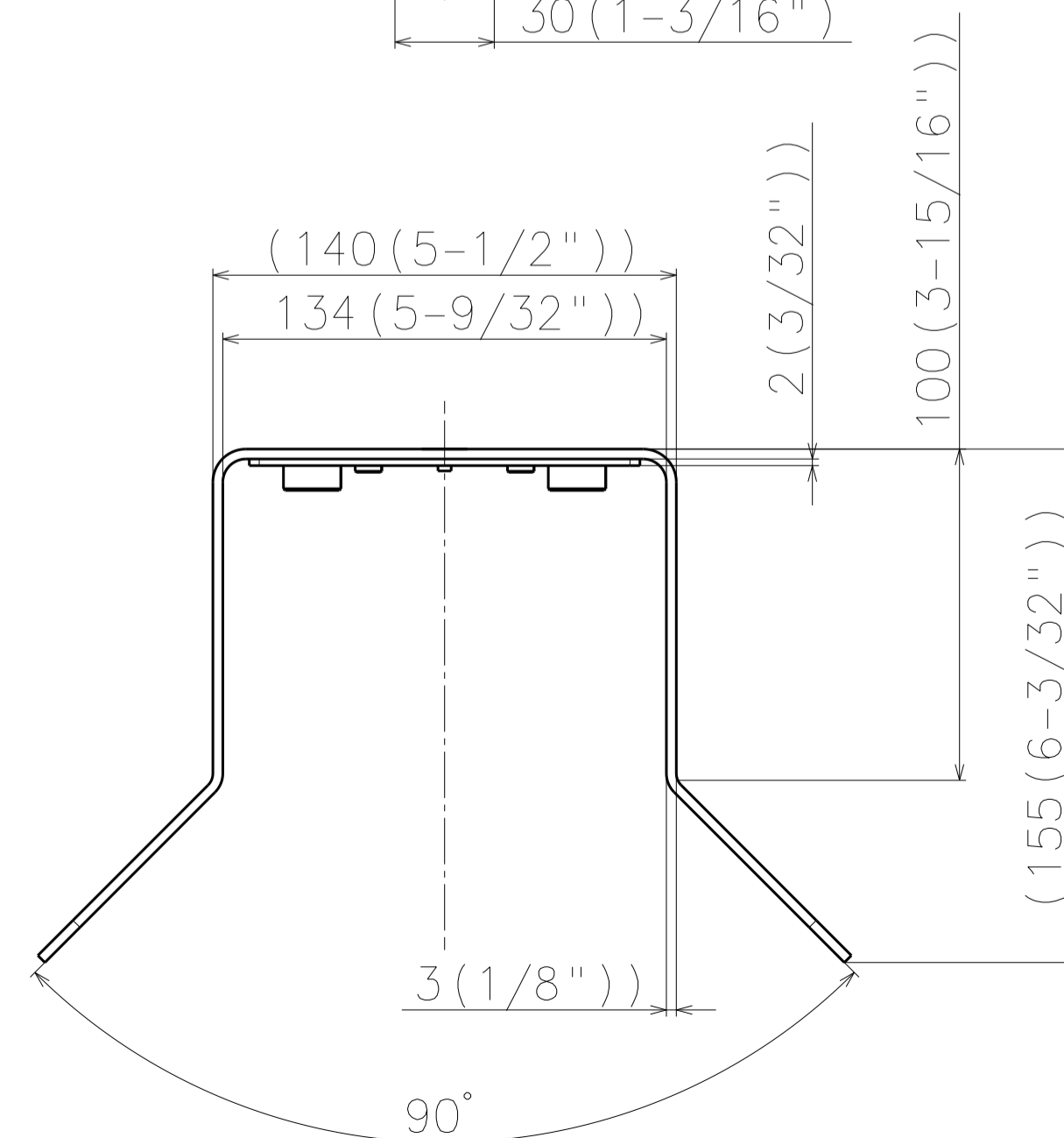
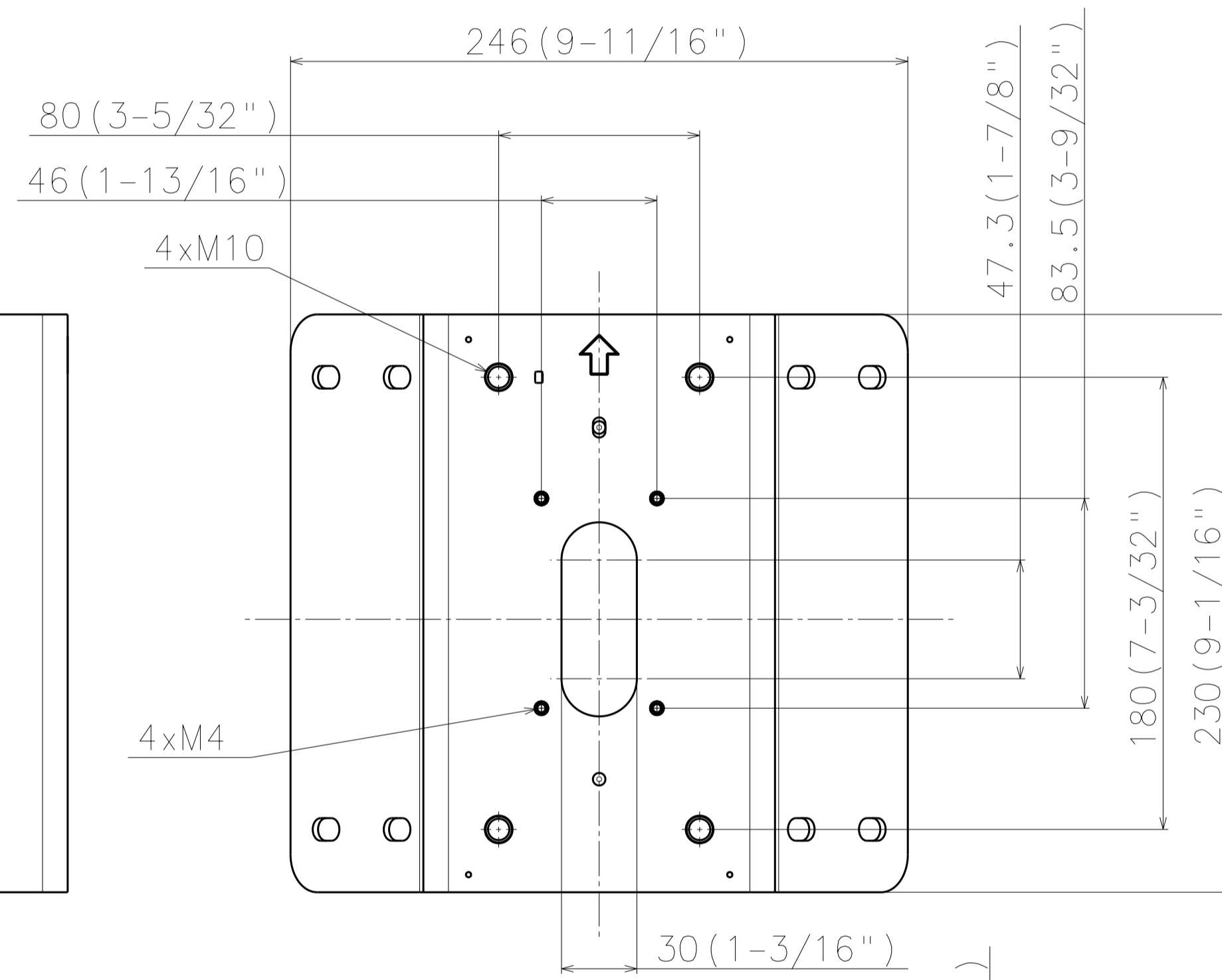
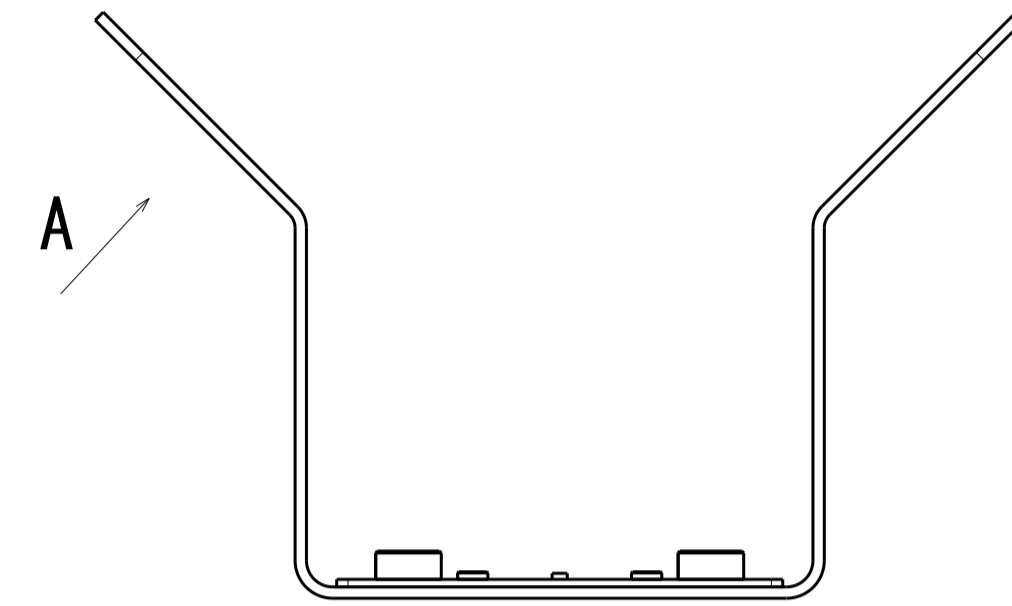


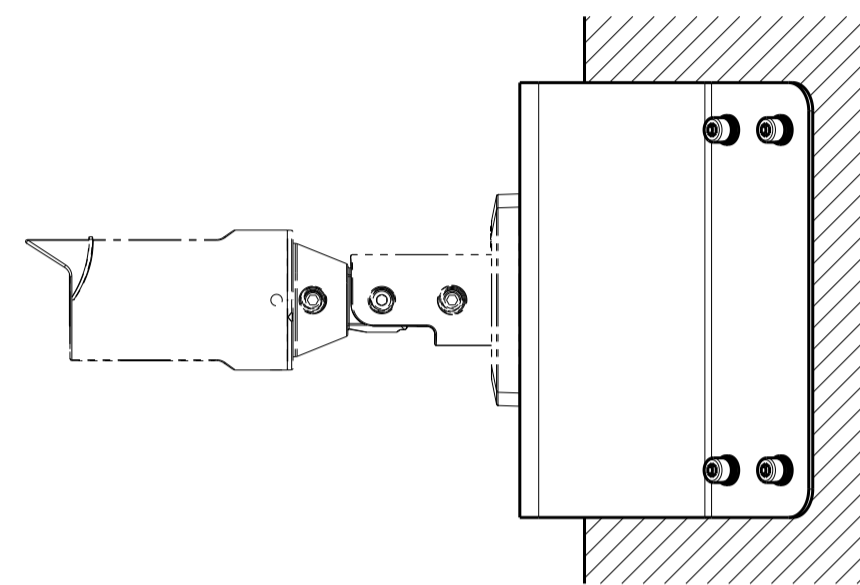
View A



	投影面積/Projected area
側面図/Side-view	0.036 (m ²)
平面図/Top-view	0.002 (m ²)

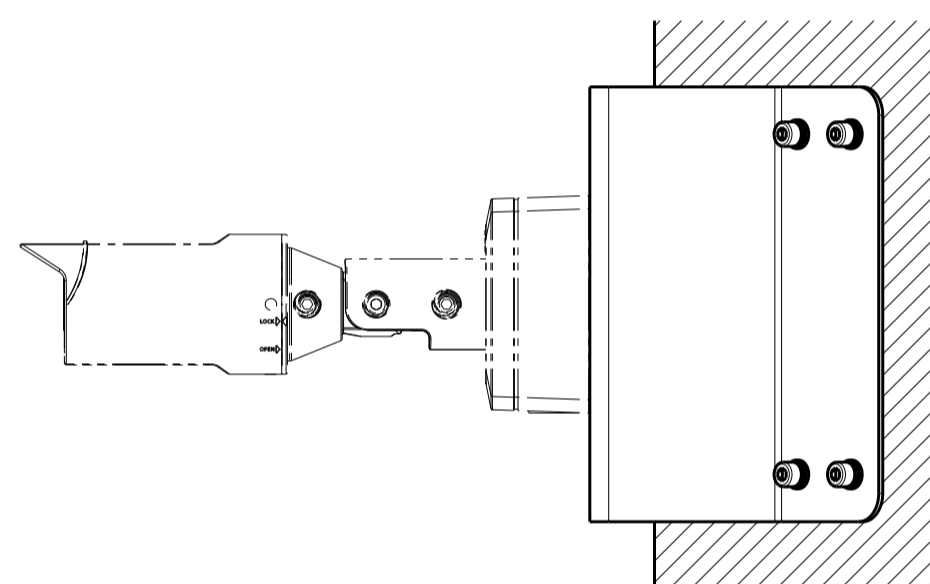
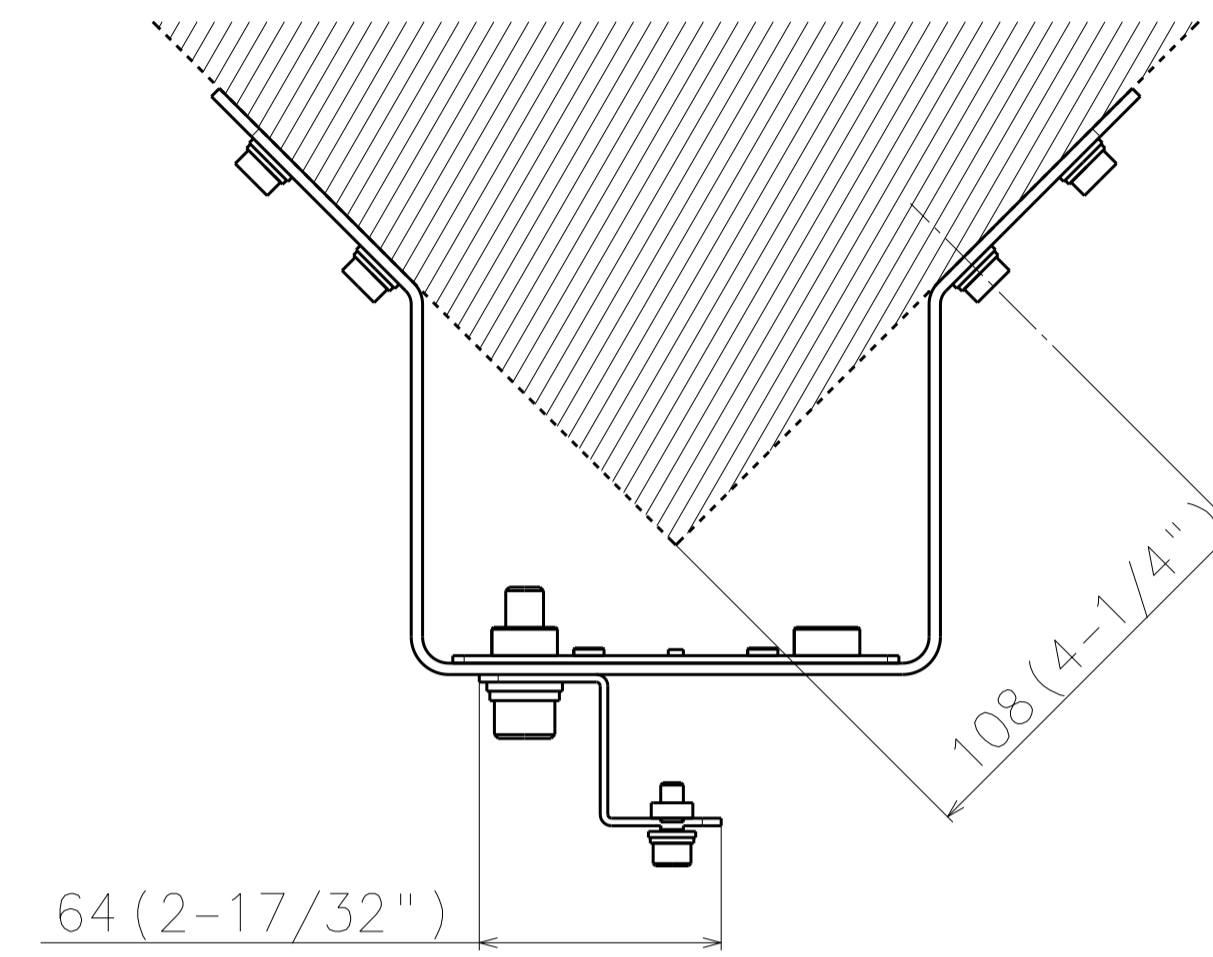
Mass : Approx. 1.3 kg {2.87 lbs}

WV-QCN500WUX



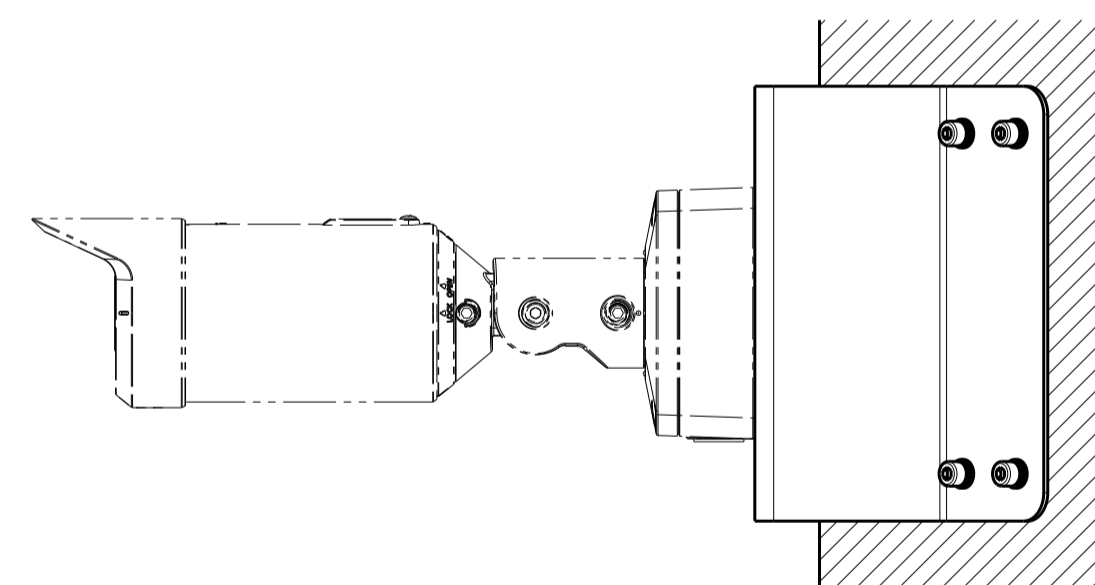
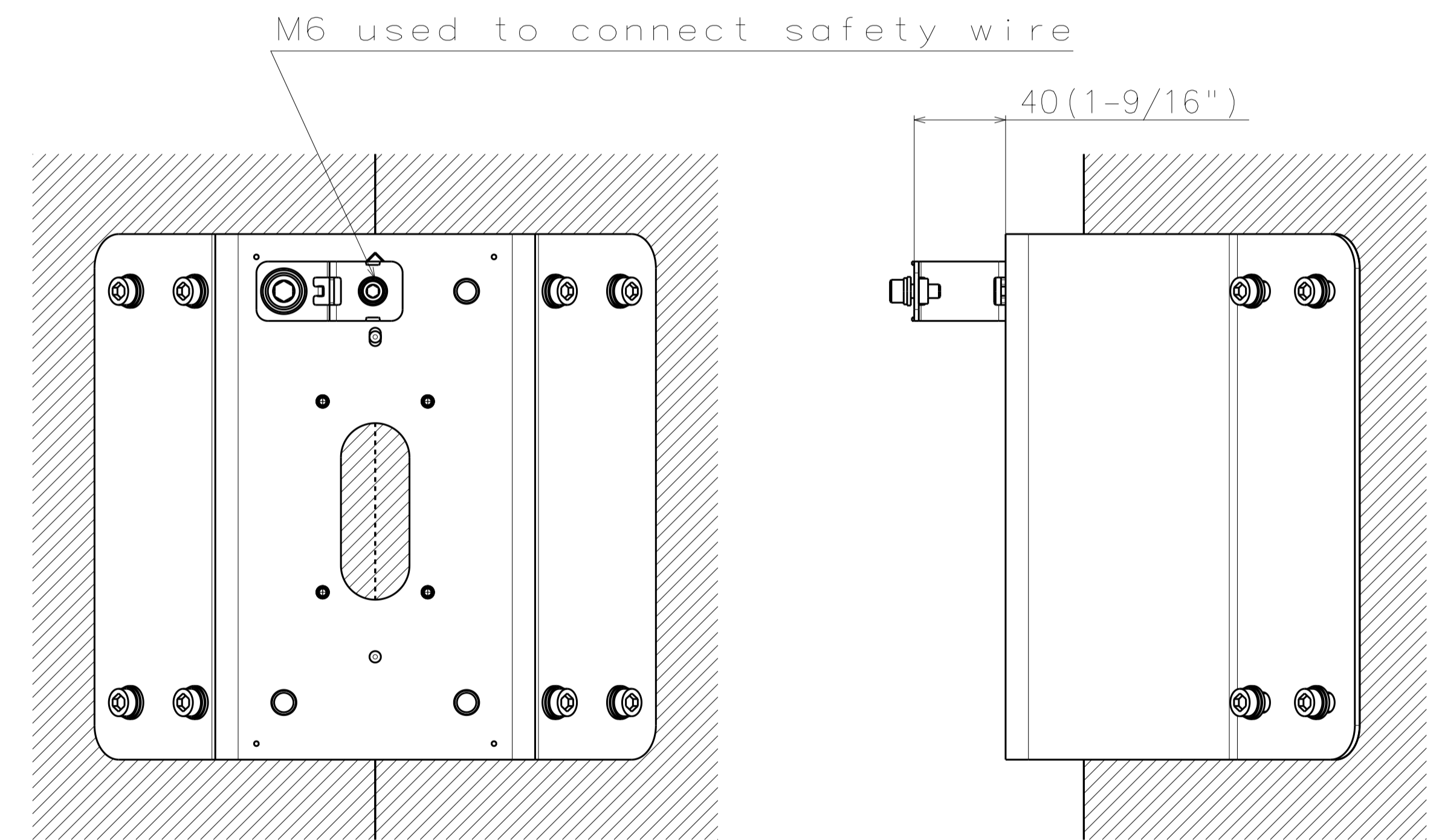
	投影面積/Projected area
側面図/Side-view	0.050 (m2)
平面図/Top-view	0.019 (m2)

Fix with 4xM4 screws
(with WV-U1532LAUX)
S=1:4



	投影面積/Projected area
側面図/Side-view	0.055 (m2)
平面図/Top-view	0.024 (m2)

Fix with 4xM4 screws
(with WV-U1532LAUX and WV-QJB500WUX)
S=1:4



	投影面積/Projected area
側面図/Side-view	0.066 (m2)
平面図/Top-view	0.035 (m2)

Fix with 4xM4 screws
(with WV-S1536LUX)
S=1:4

INSTALLATION STATUS
S=1:2