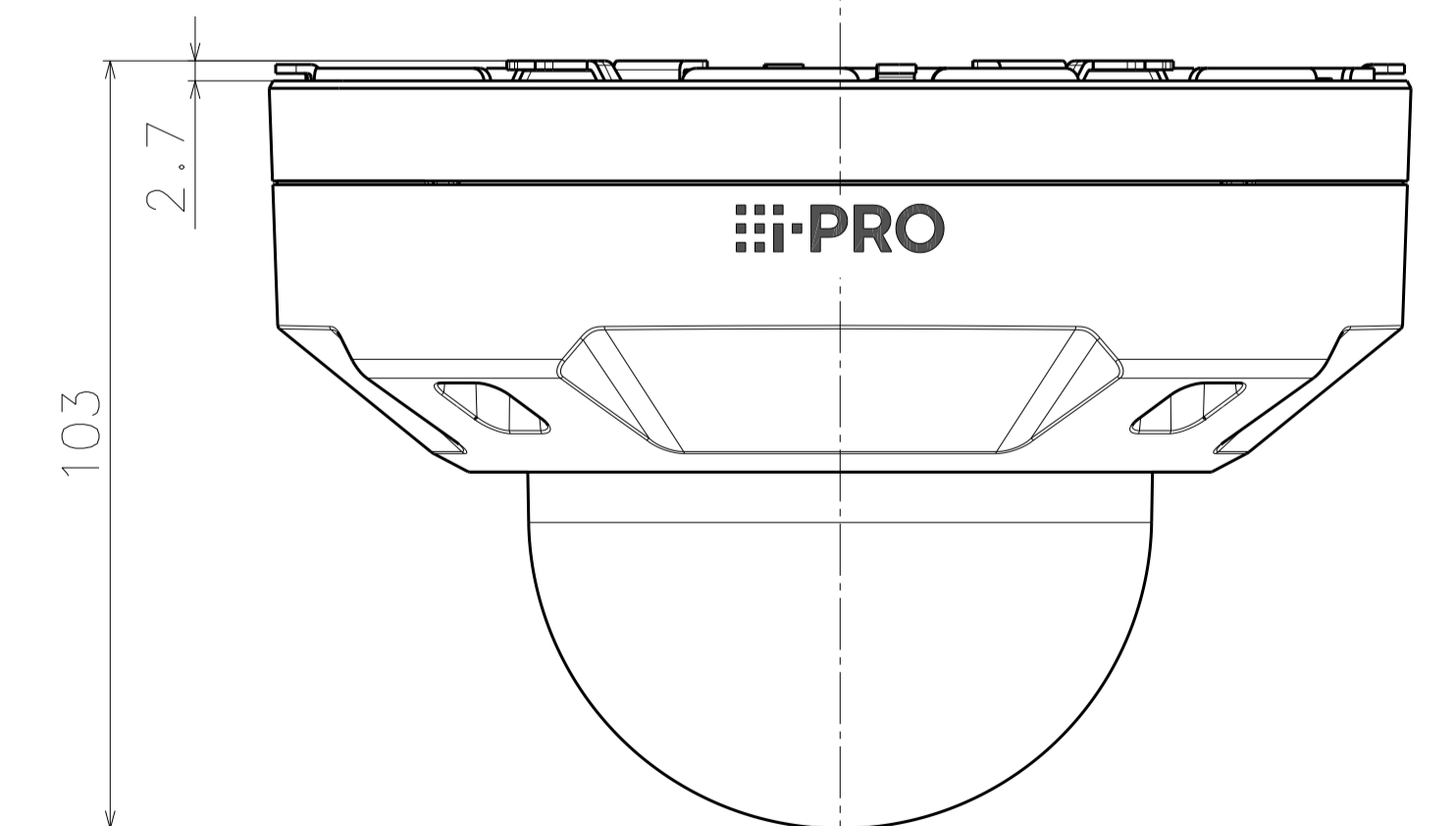
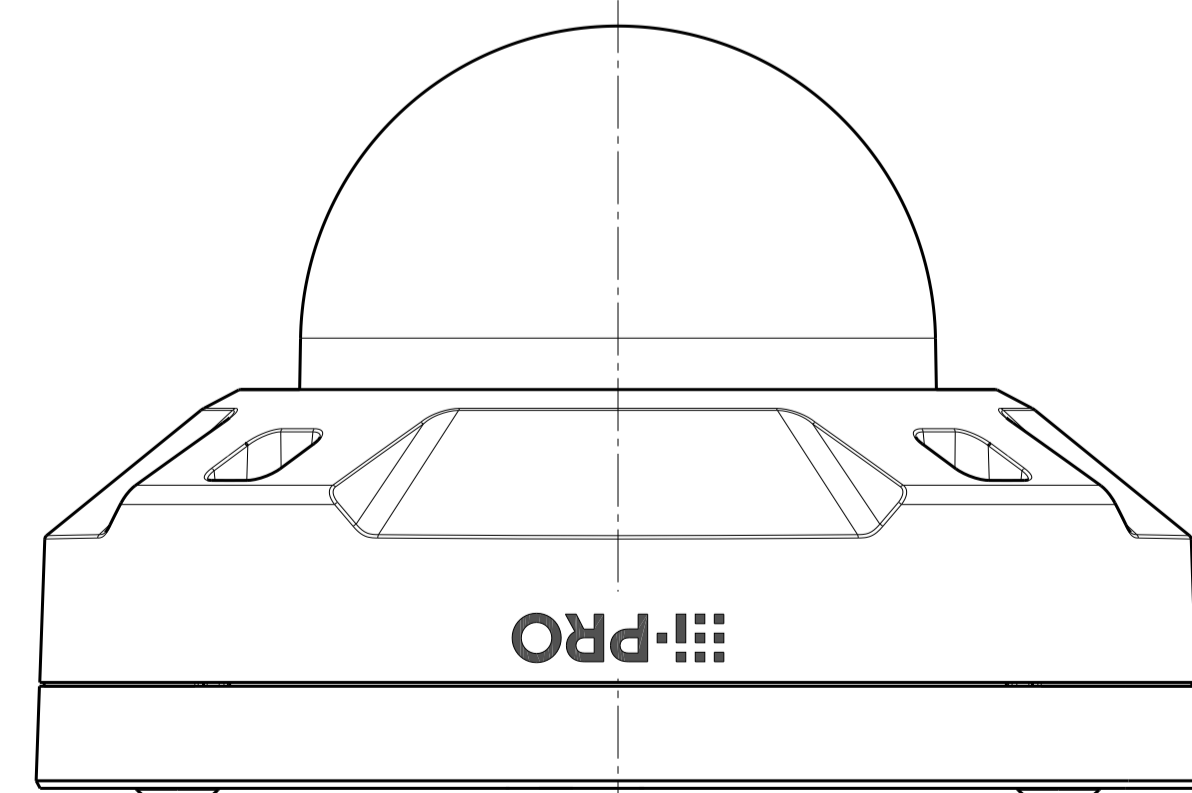
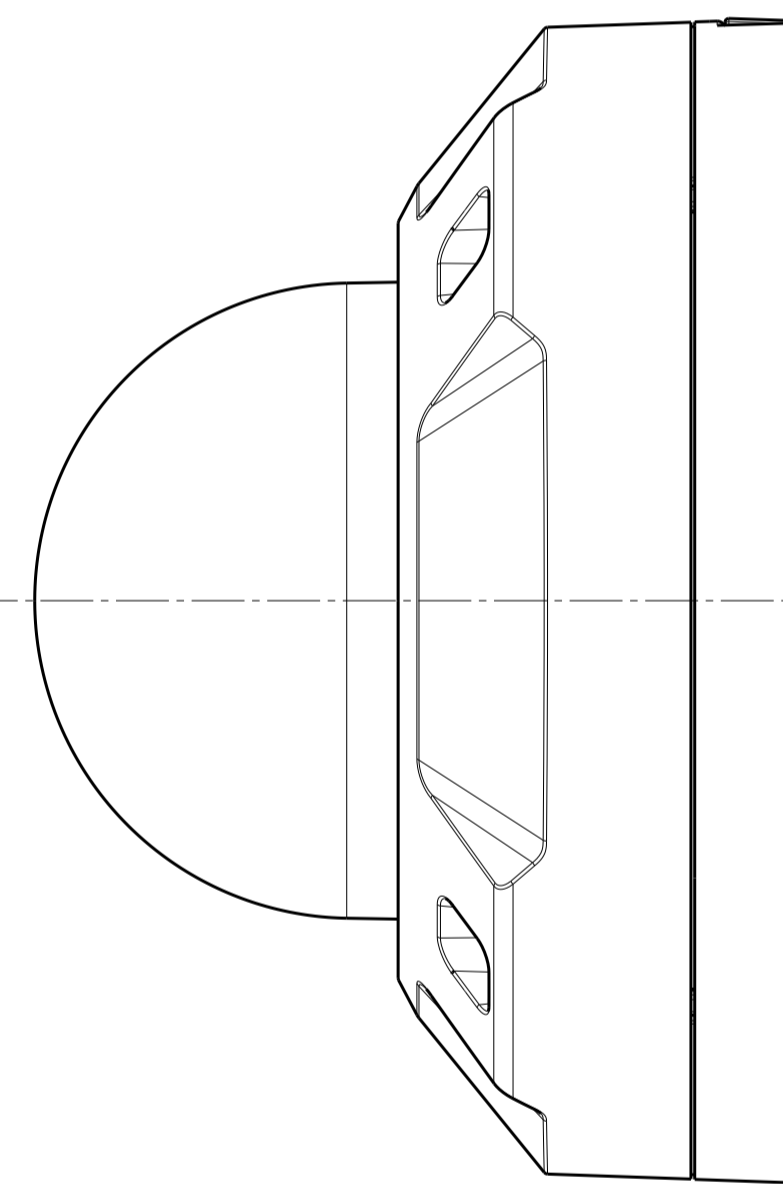
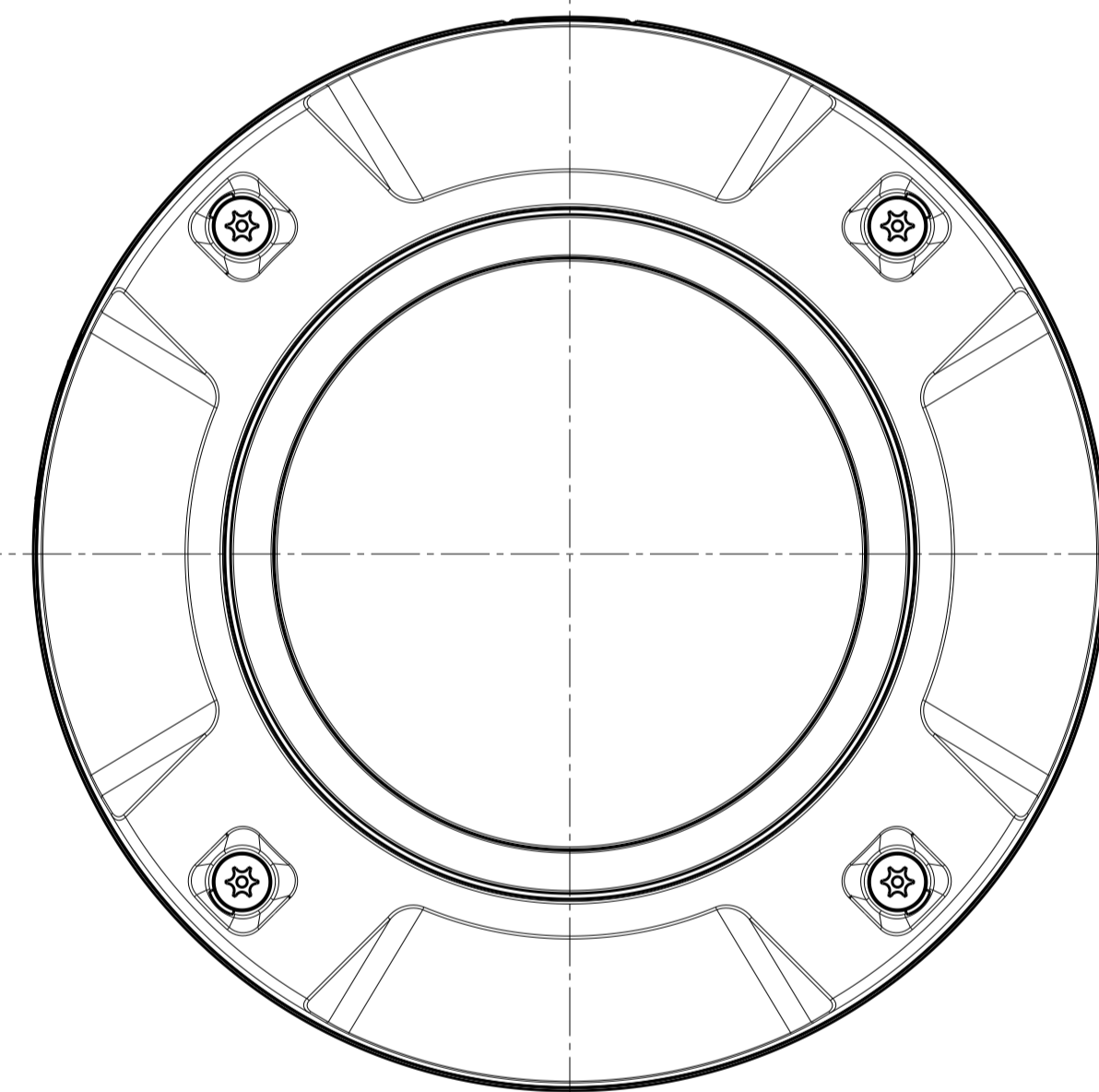
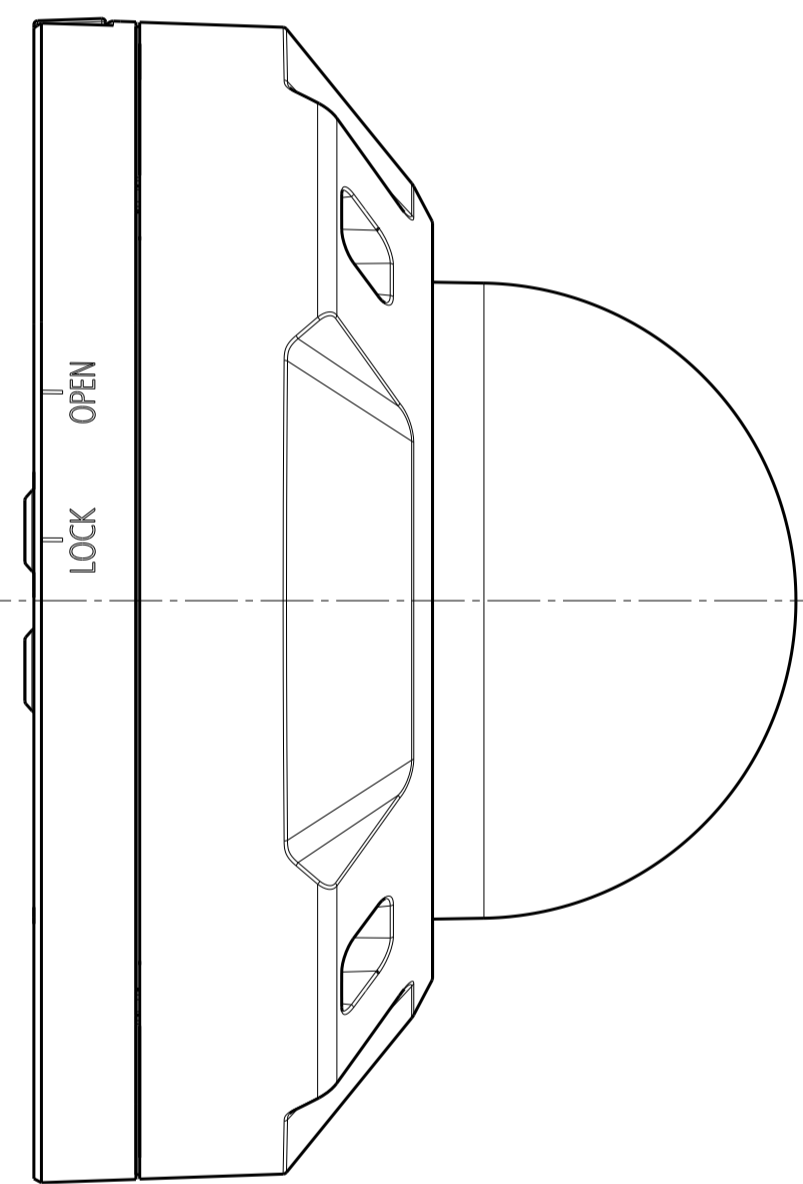
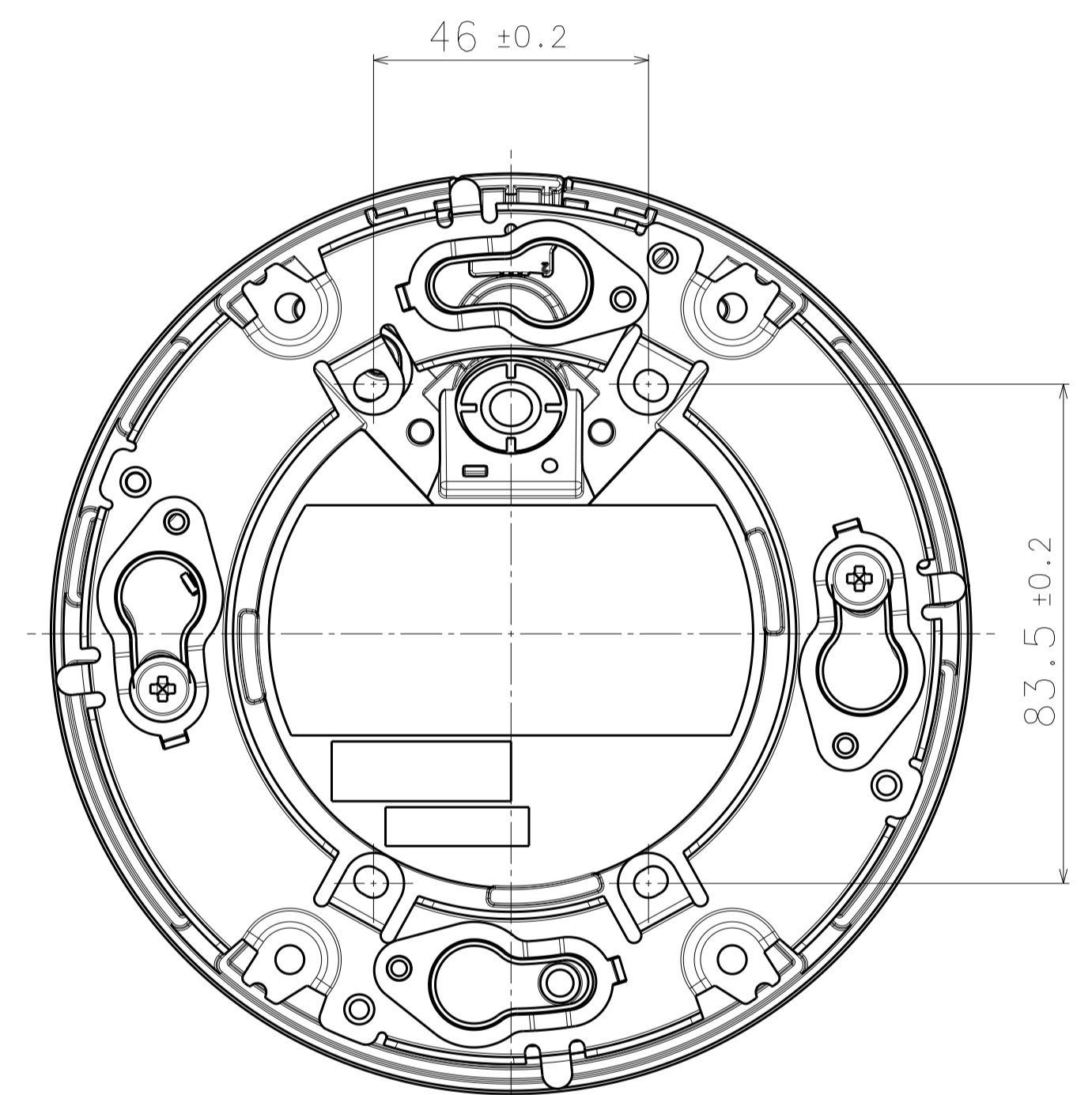
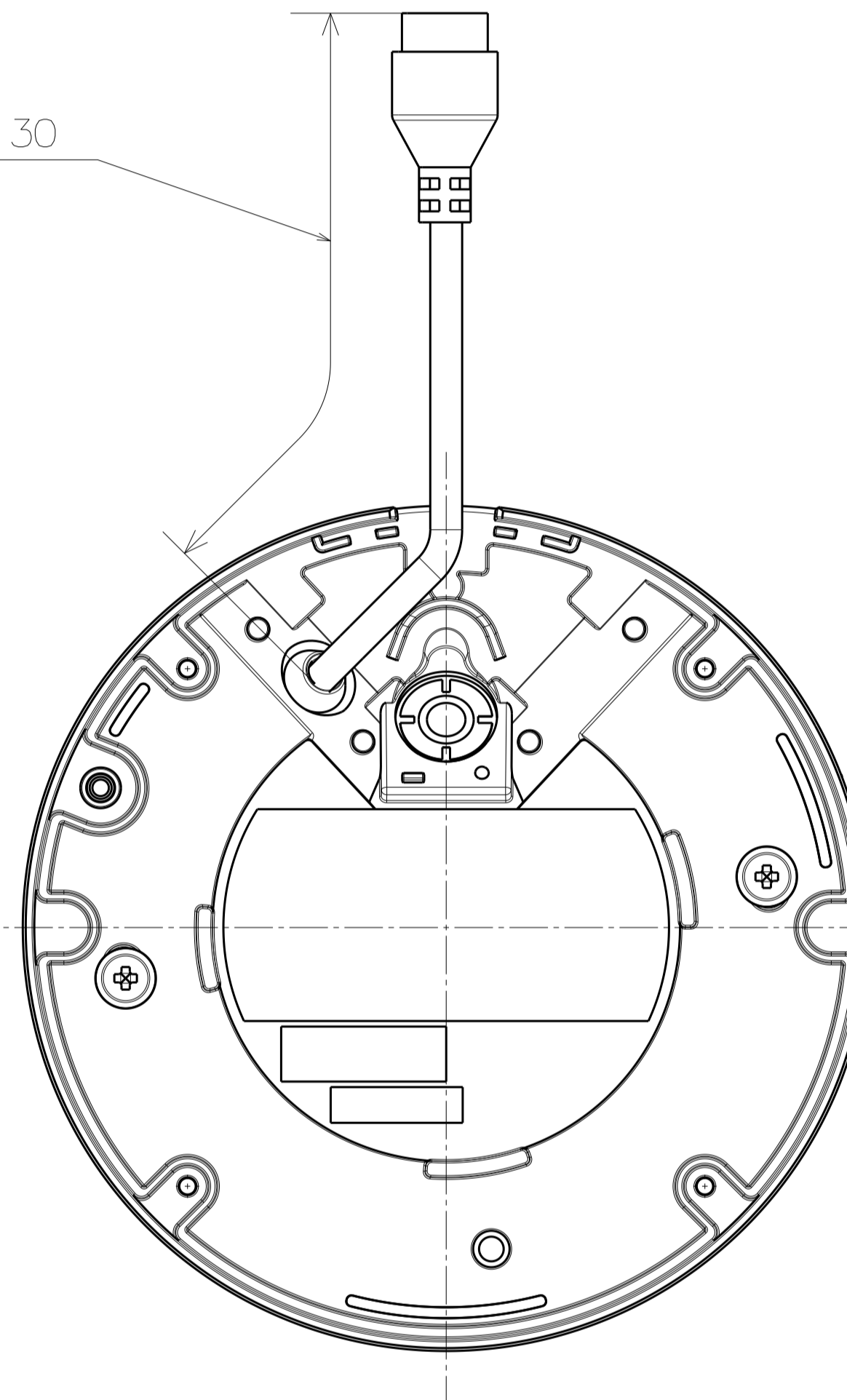


Cable Length from outline: Approx. 130

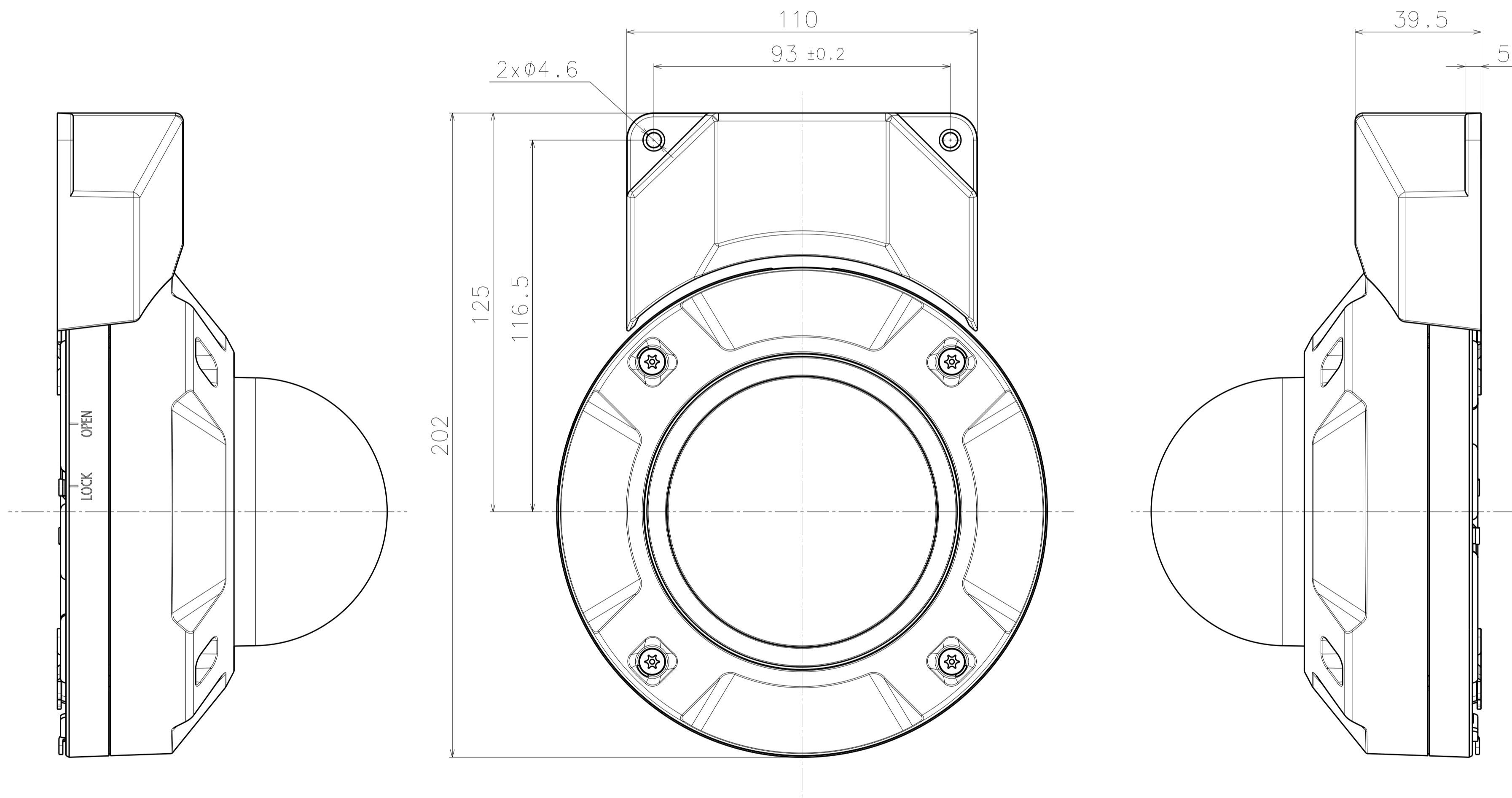
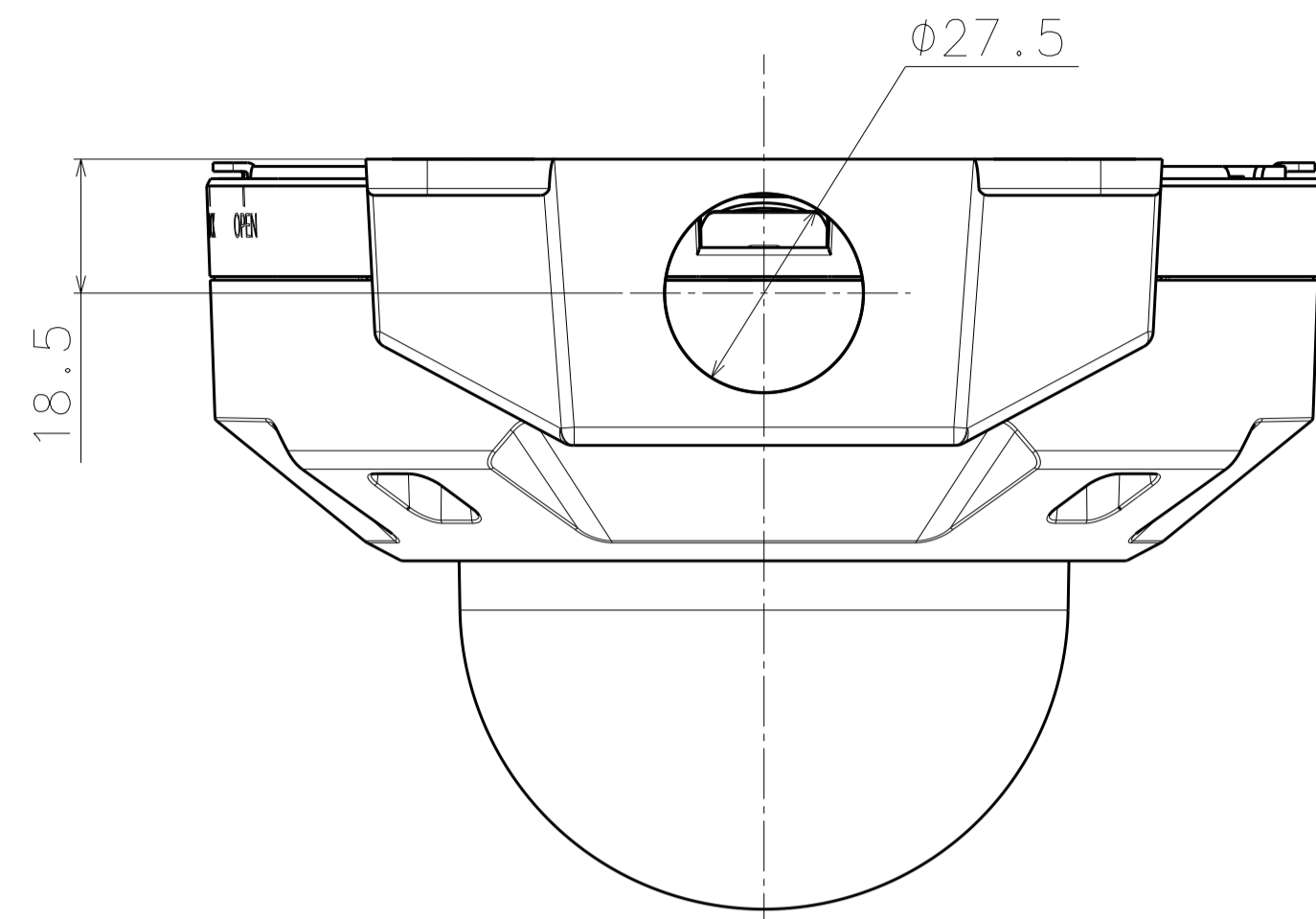


With Attachment plate

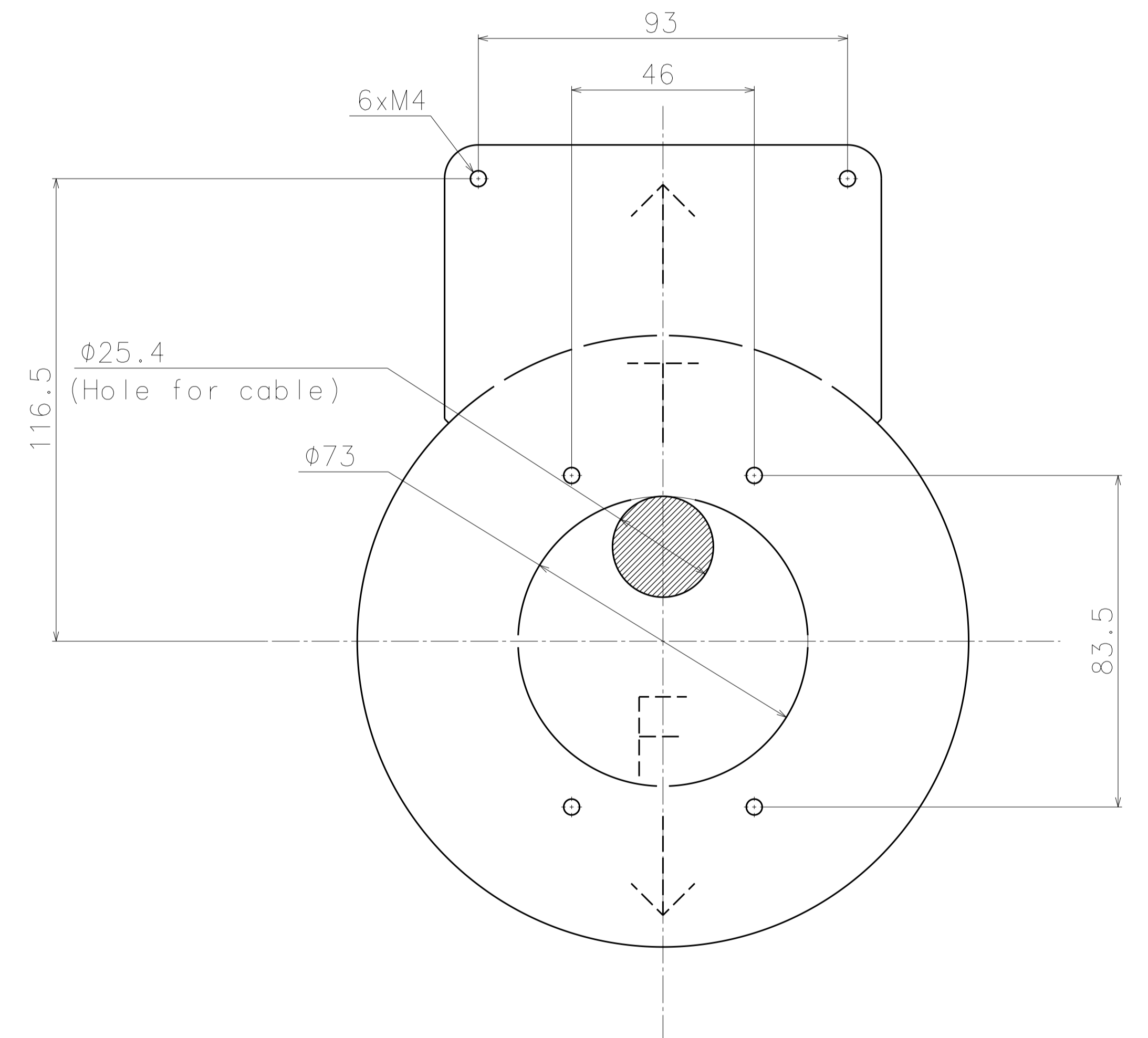
Model number  
WV-U2542LA  
WV-U2542LAV

	投影面積/Projected area
側面図/Side-view	0.011(m <sup>2</sup> )

Mass : Approx. 1.0 kg {2.21 lbs} (When using the Attachment plate)



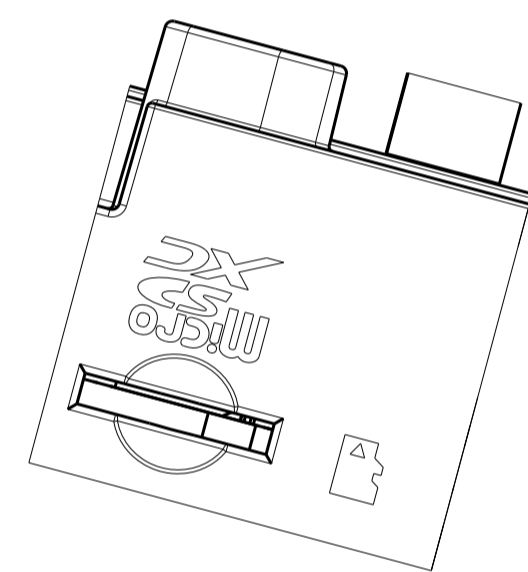
With Attachment for the conduit



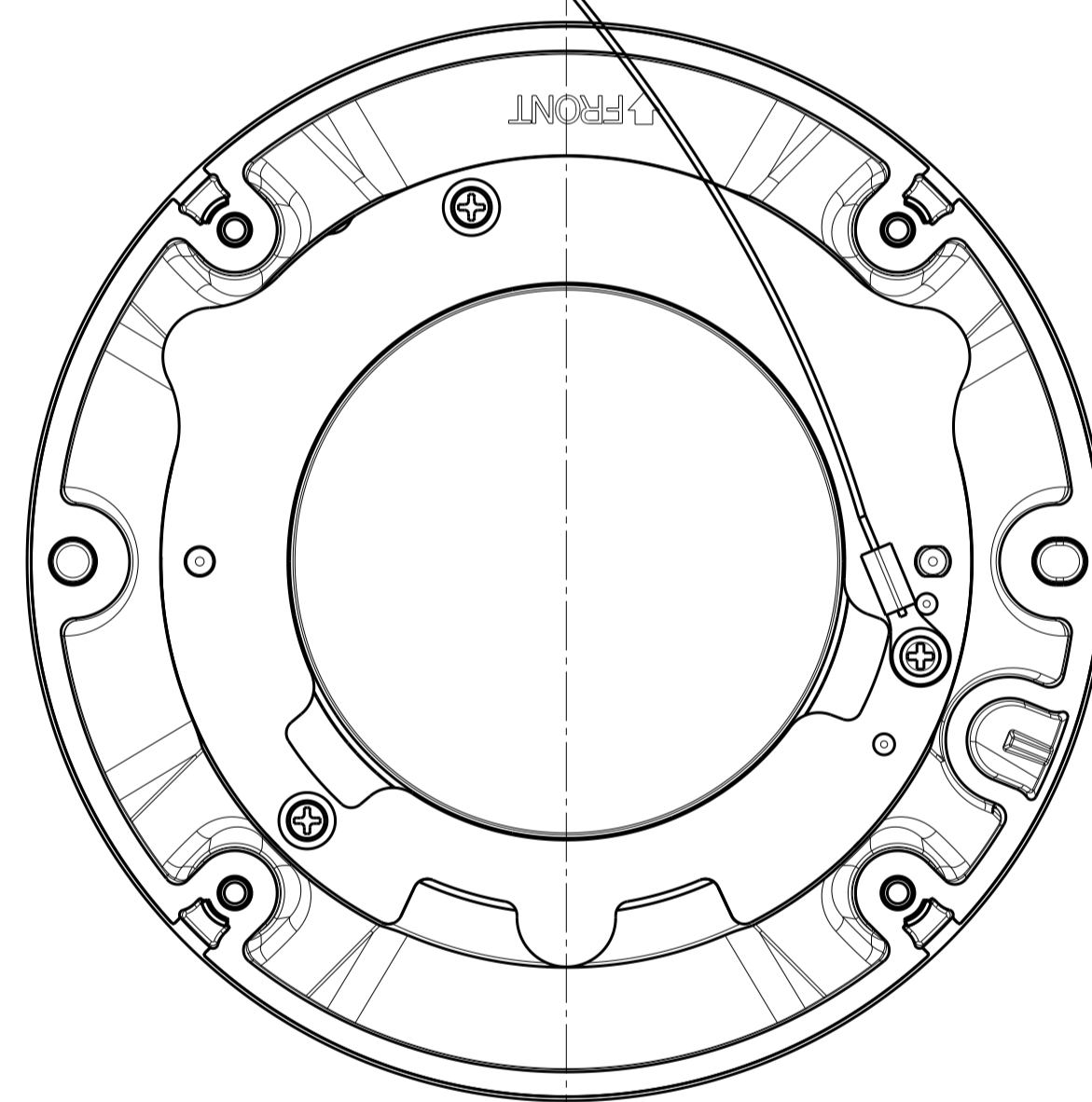
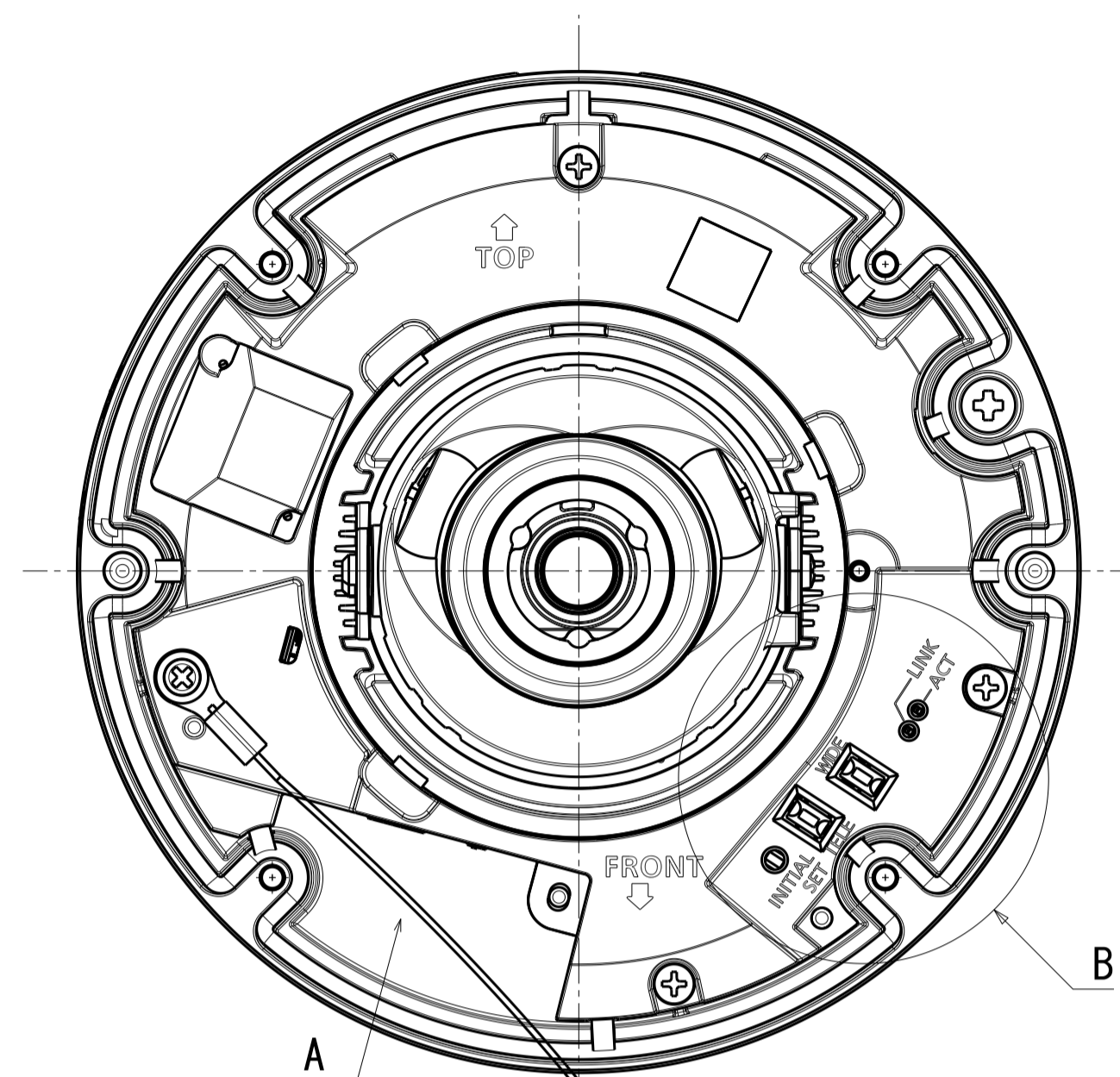
Template for mounting

Model number  
 WV-U2542LA  
 WV-U2542LAV

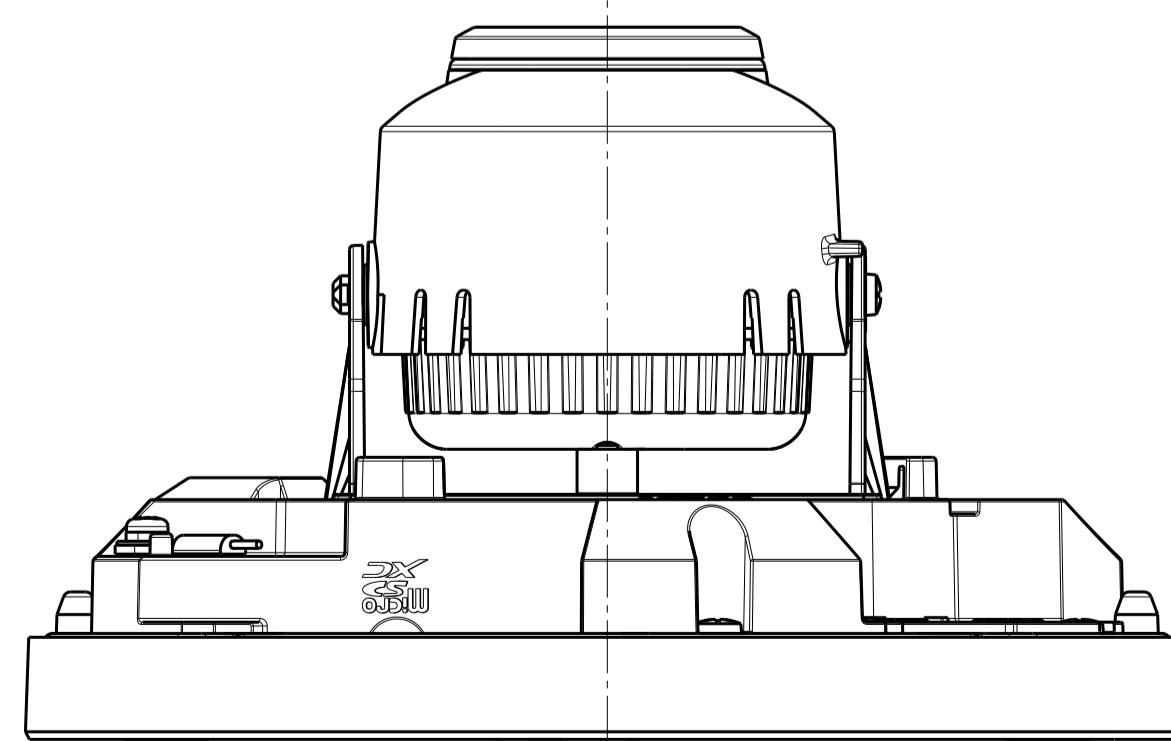
	投影面積/Projected area
側面図/Side-view	0.013 (m <sup>2</sup> )



View A (2:1)

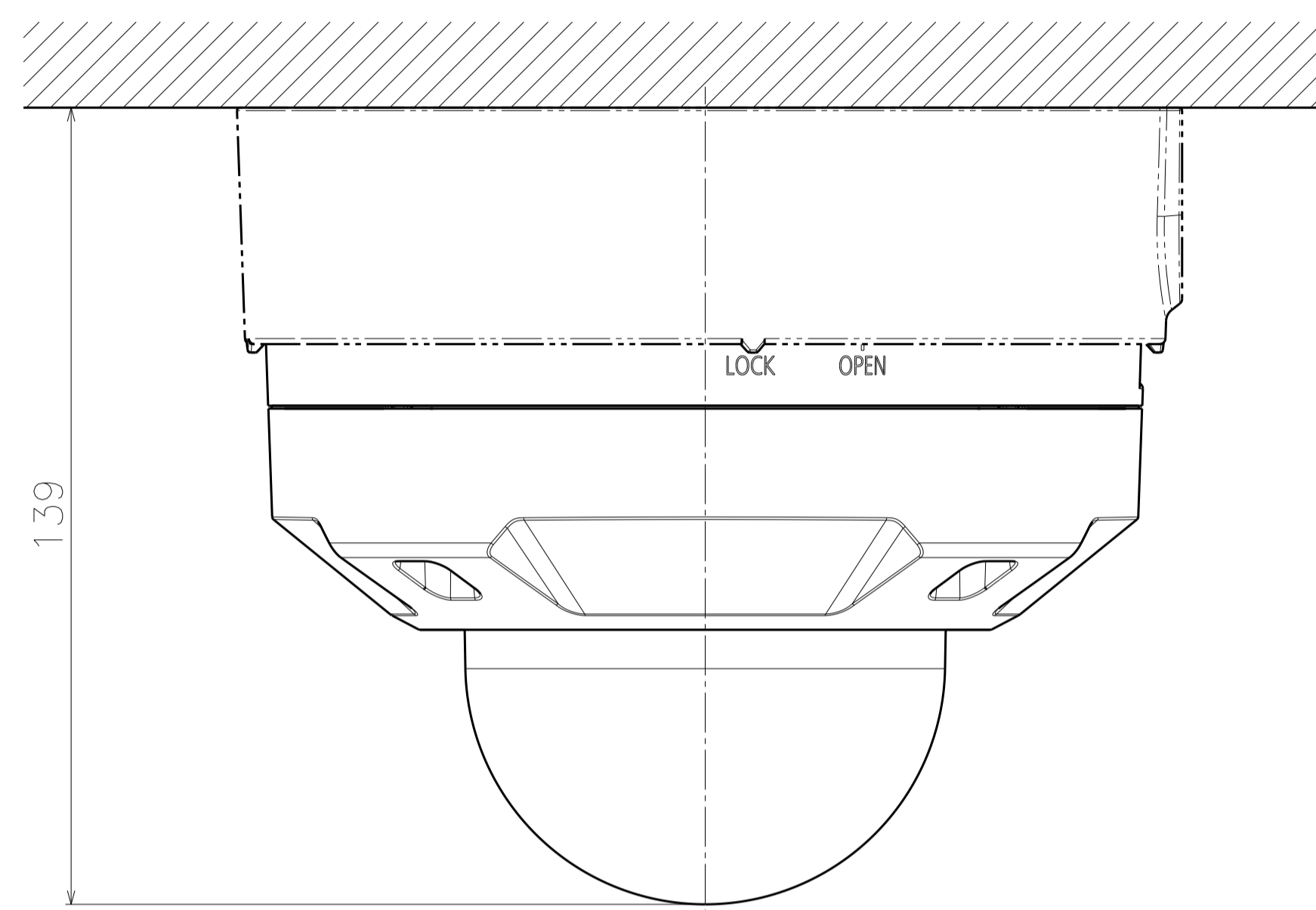


Detail B (2:1)



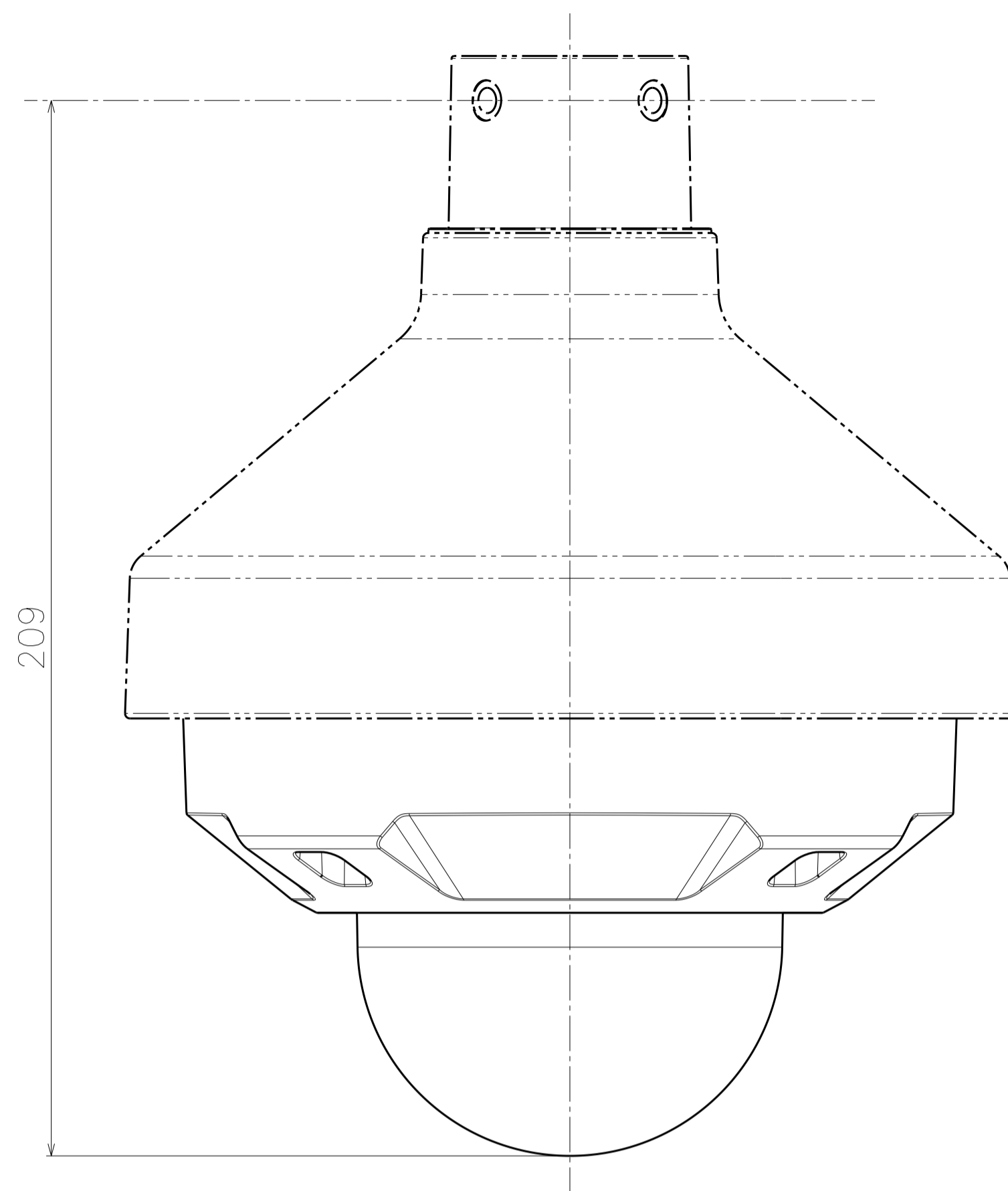
Without Enclosure

Model number
WV-U2542LA
WV-U2542LAV



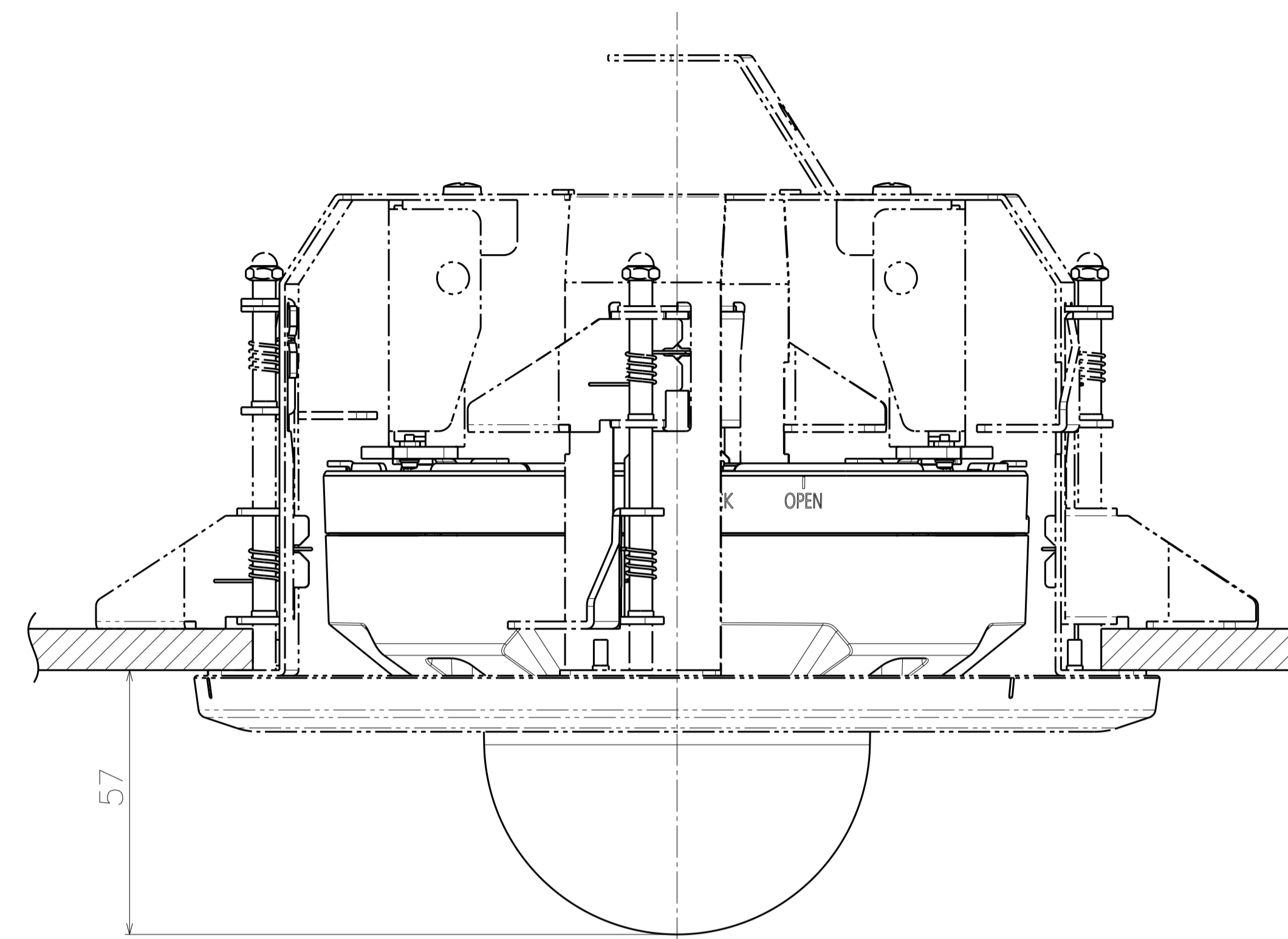
Attach to WV-QJB501-W

側面図/Side-view	投影面積/Projected area 0.017 (m <sup>2</sup> )
---------------	--

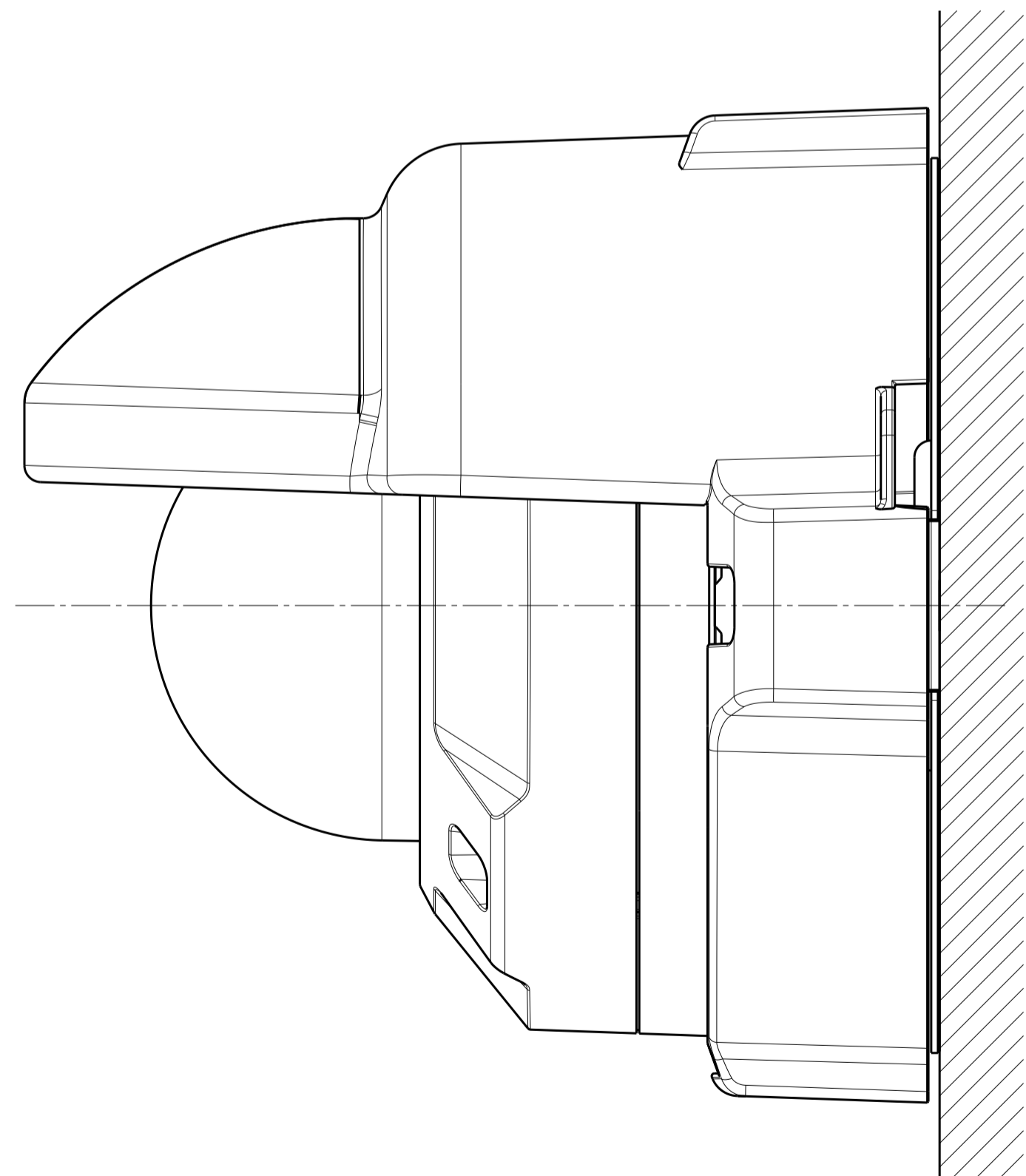


Attach to WV-QSR501-W

側面図/Side-view	投影面積/Projected area 0.021 (m <sup>2</sup> )
---------------	--

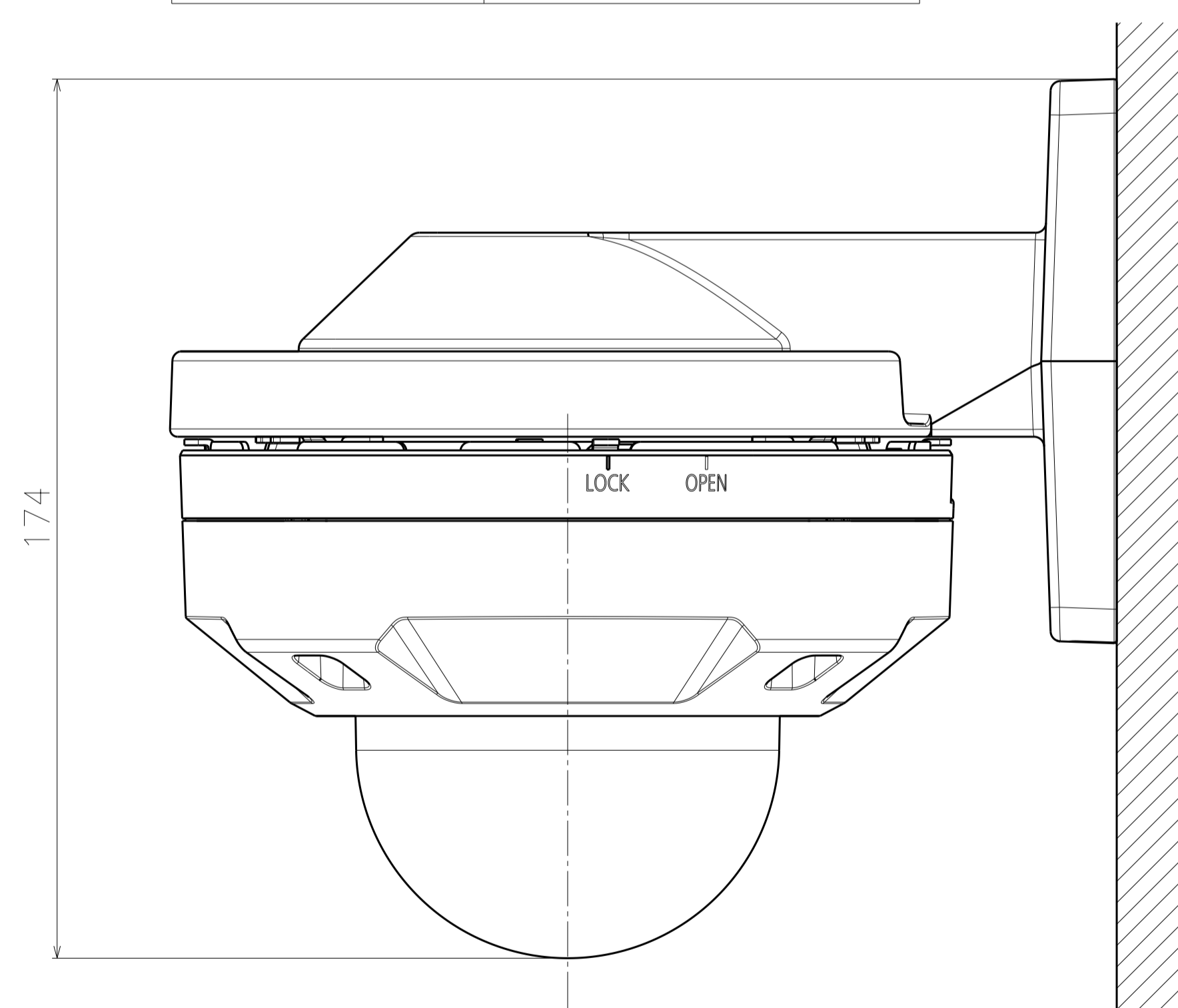


Attach to WV-QEM500-W



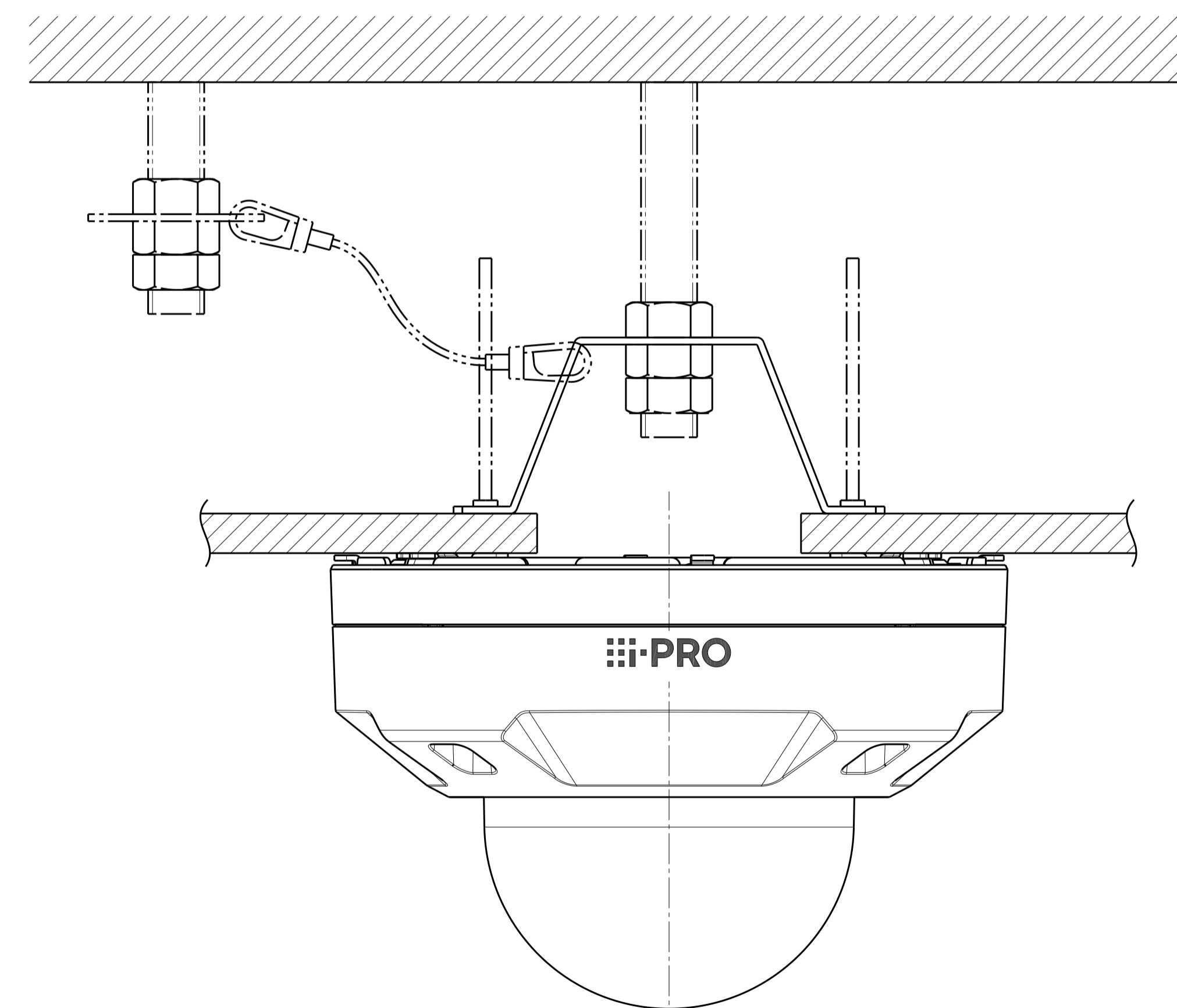
Attach to WV-QJB501-W & WV-QSR500-W

側面図/Side-view	投影面積/Projected area 0.021 (m <sup>2</sup> )
---------------	--



Attach to WV-QWL500-W

側面図/Side-view	投影面積/Projected area 0.019 (m <sup>2</sup> )
---------------	--



Attach to WV-Q105A

Model number	WV-U2542LA WV-U2542LAV
--------------	---------------------------