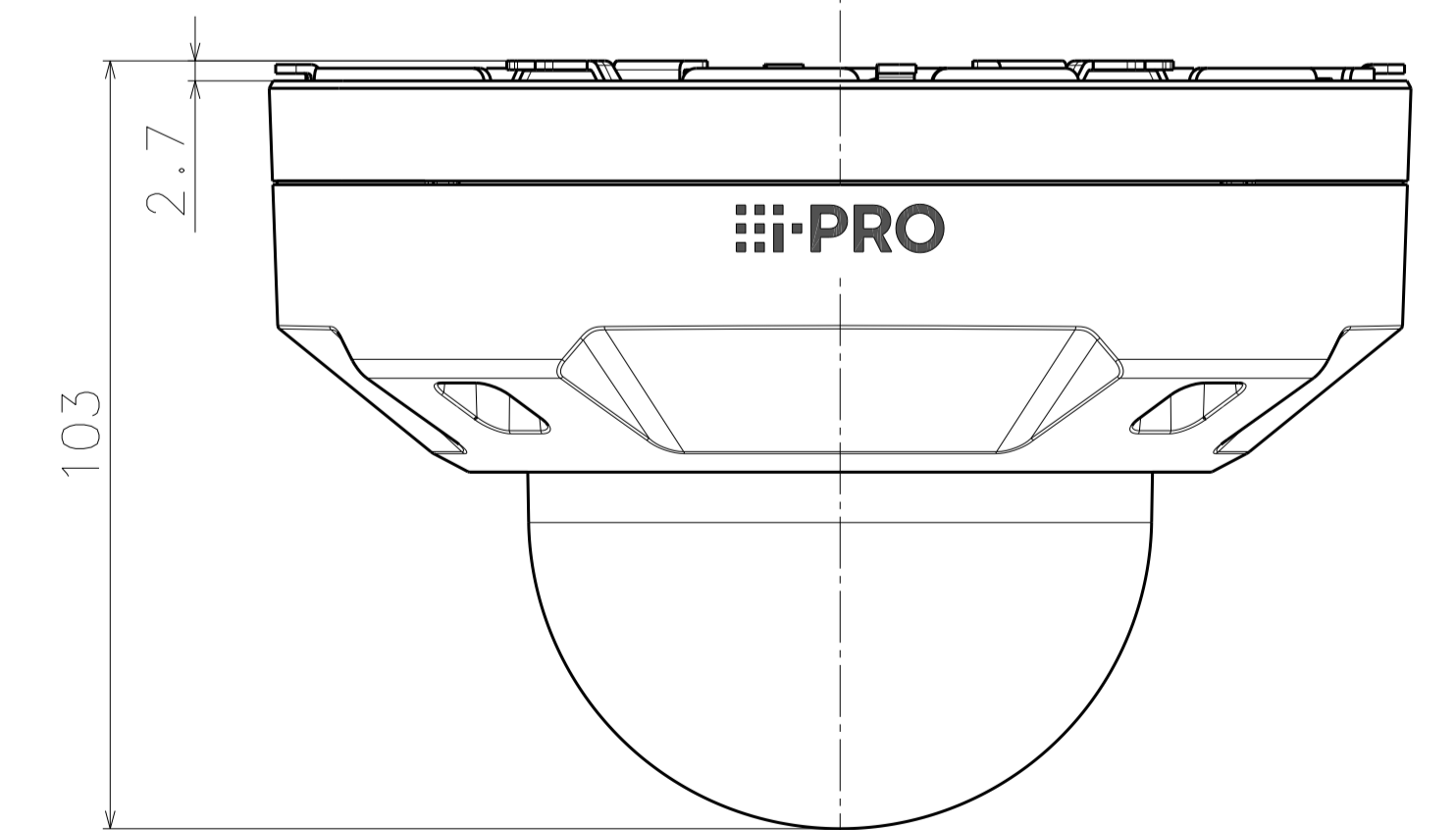
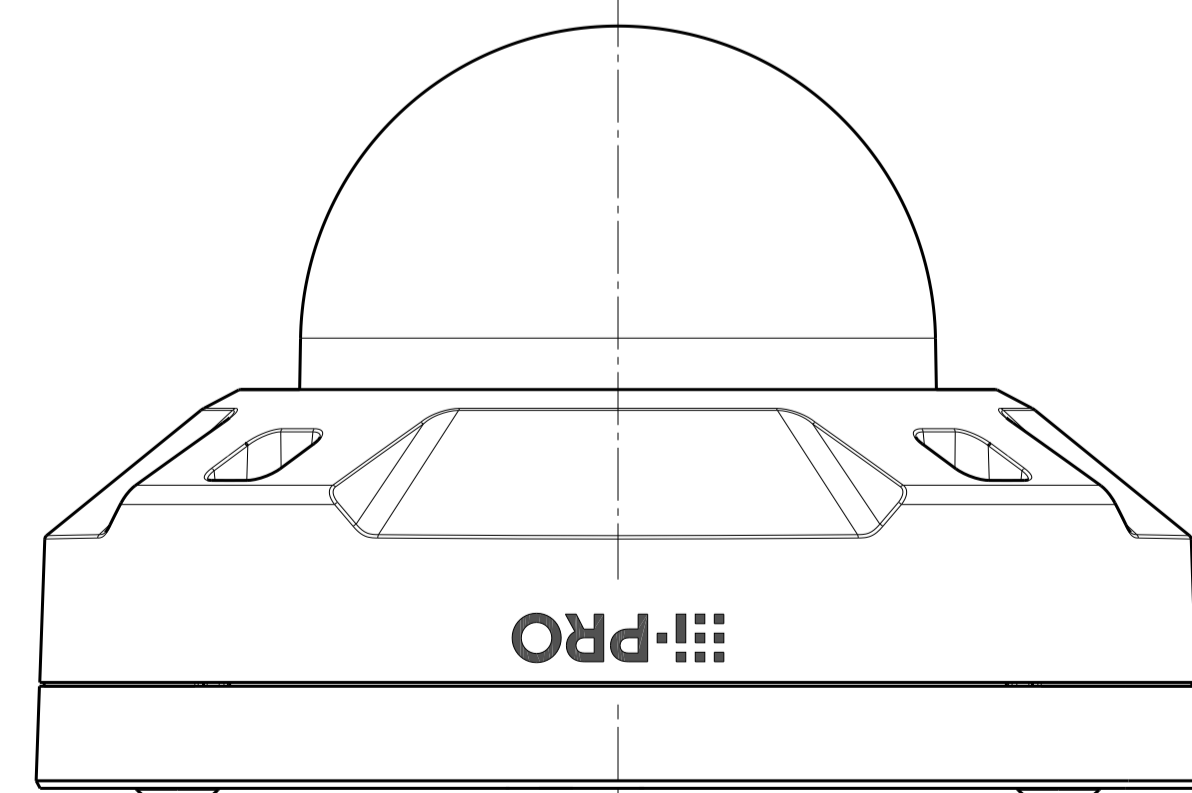
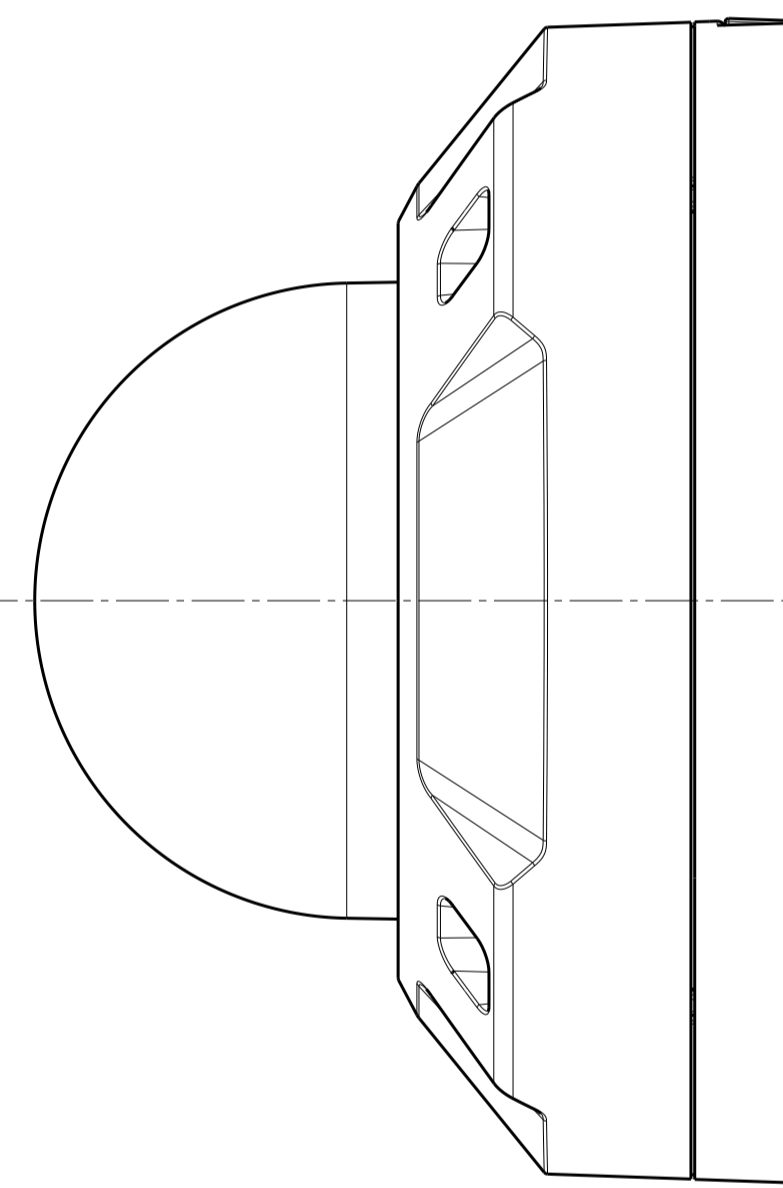
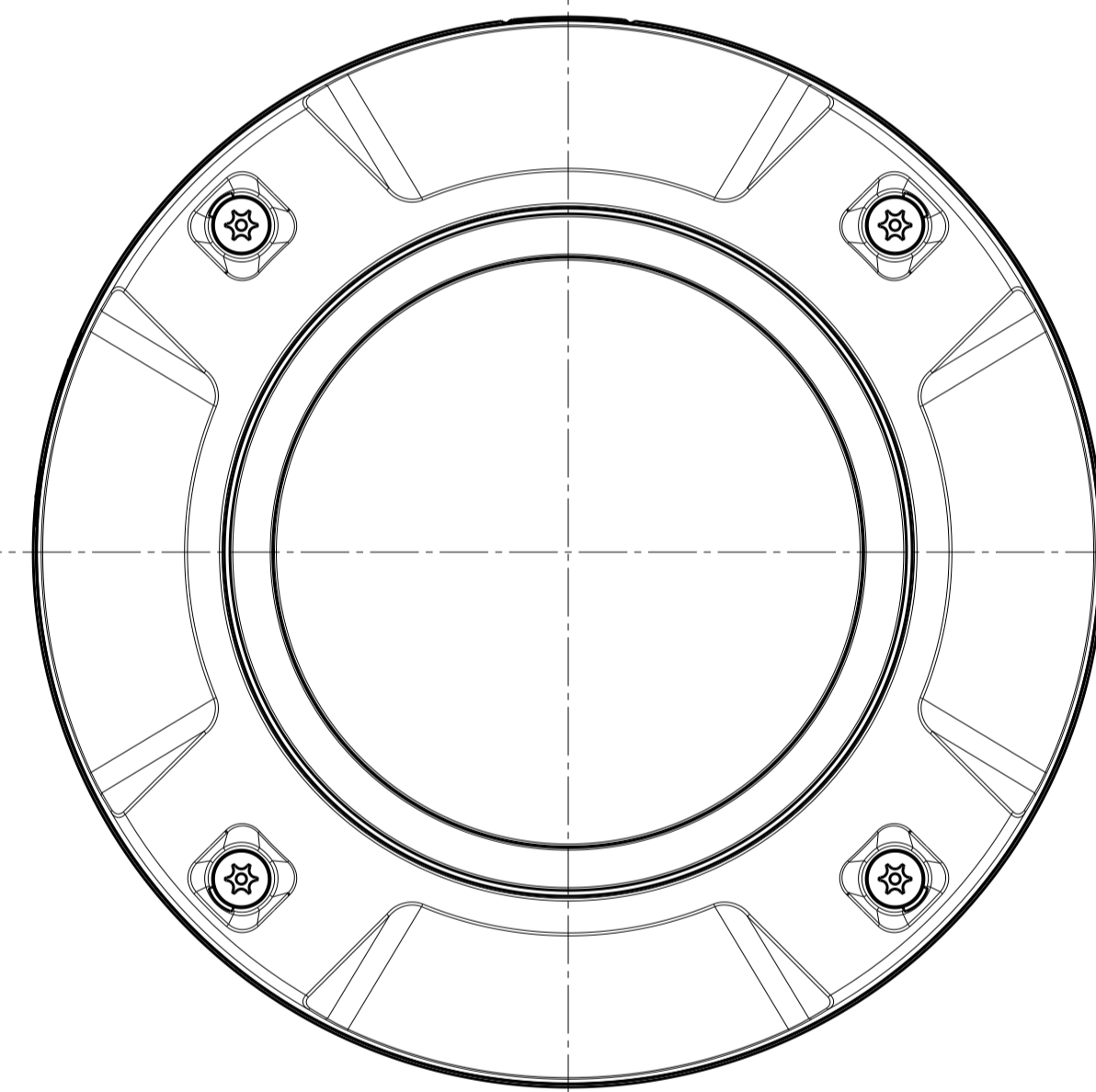
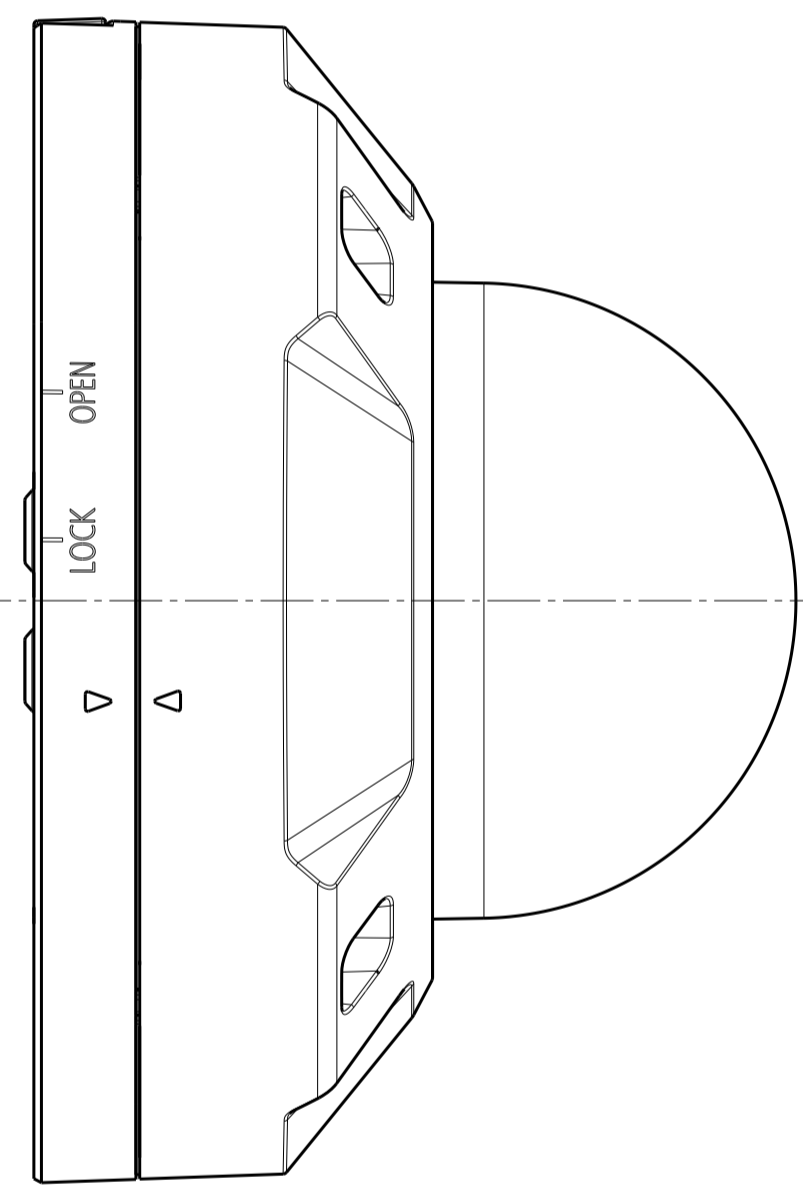
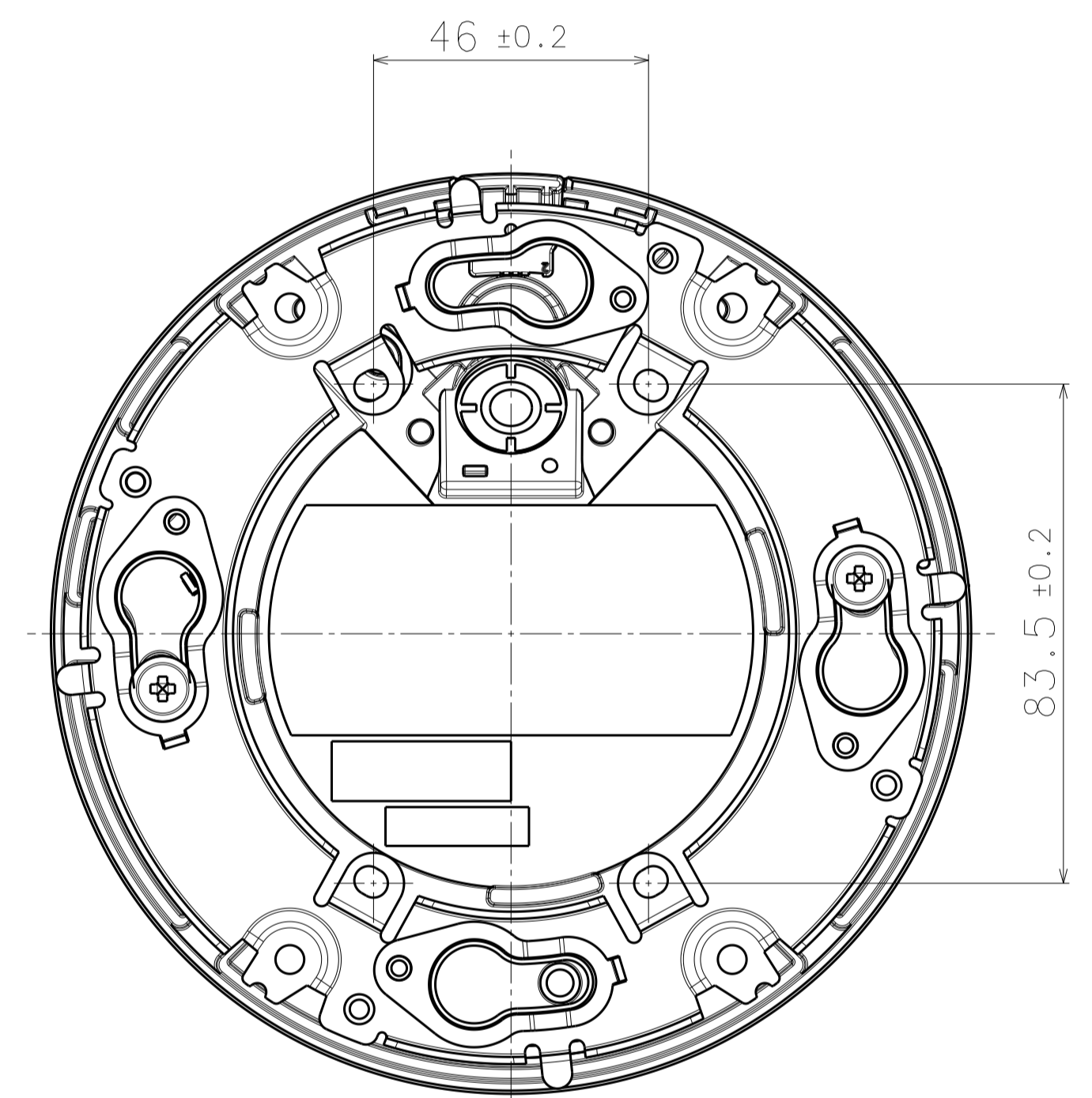
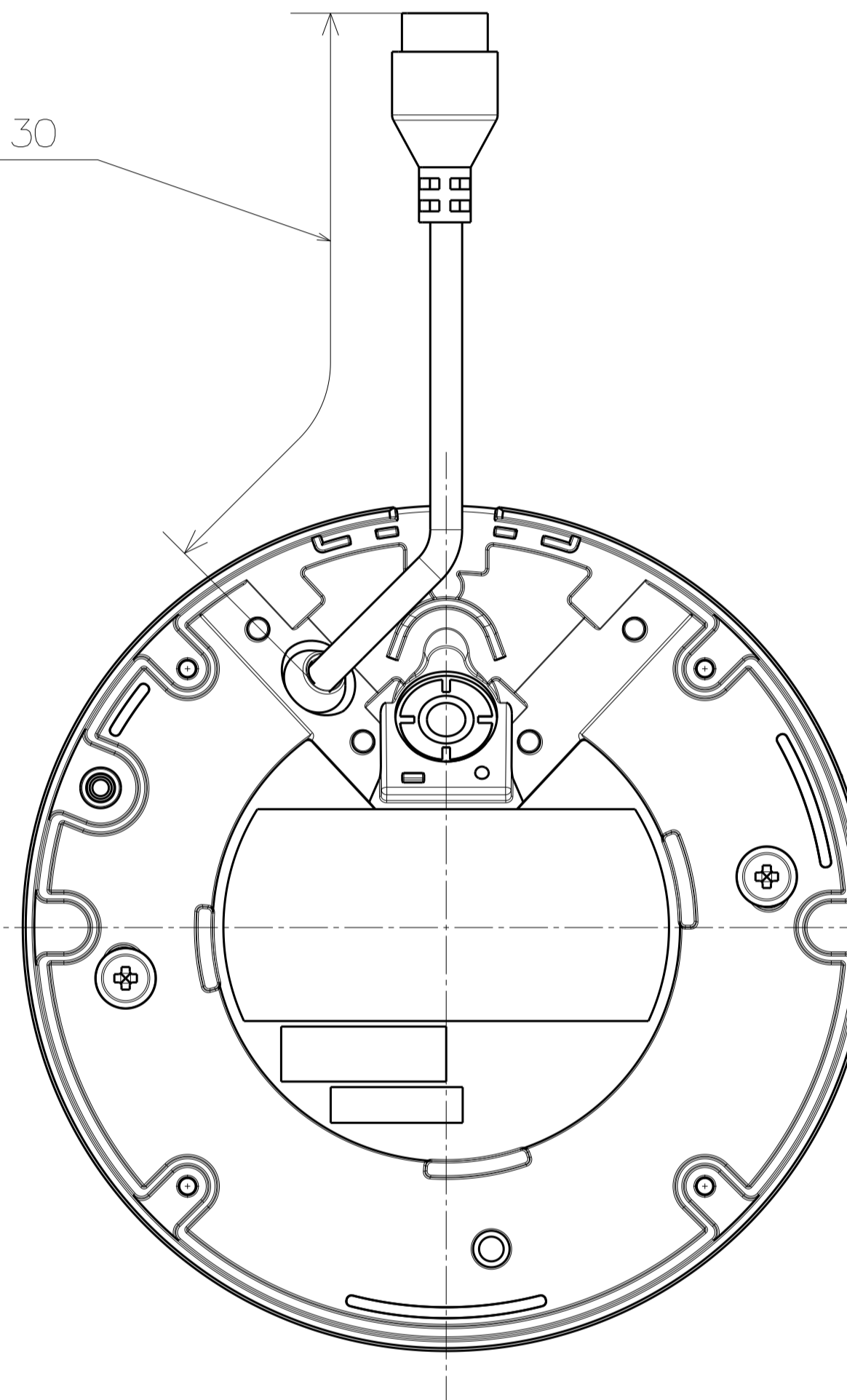


Cable Length from outline: Approx. 130

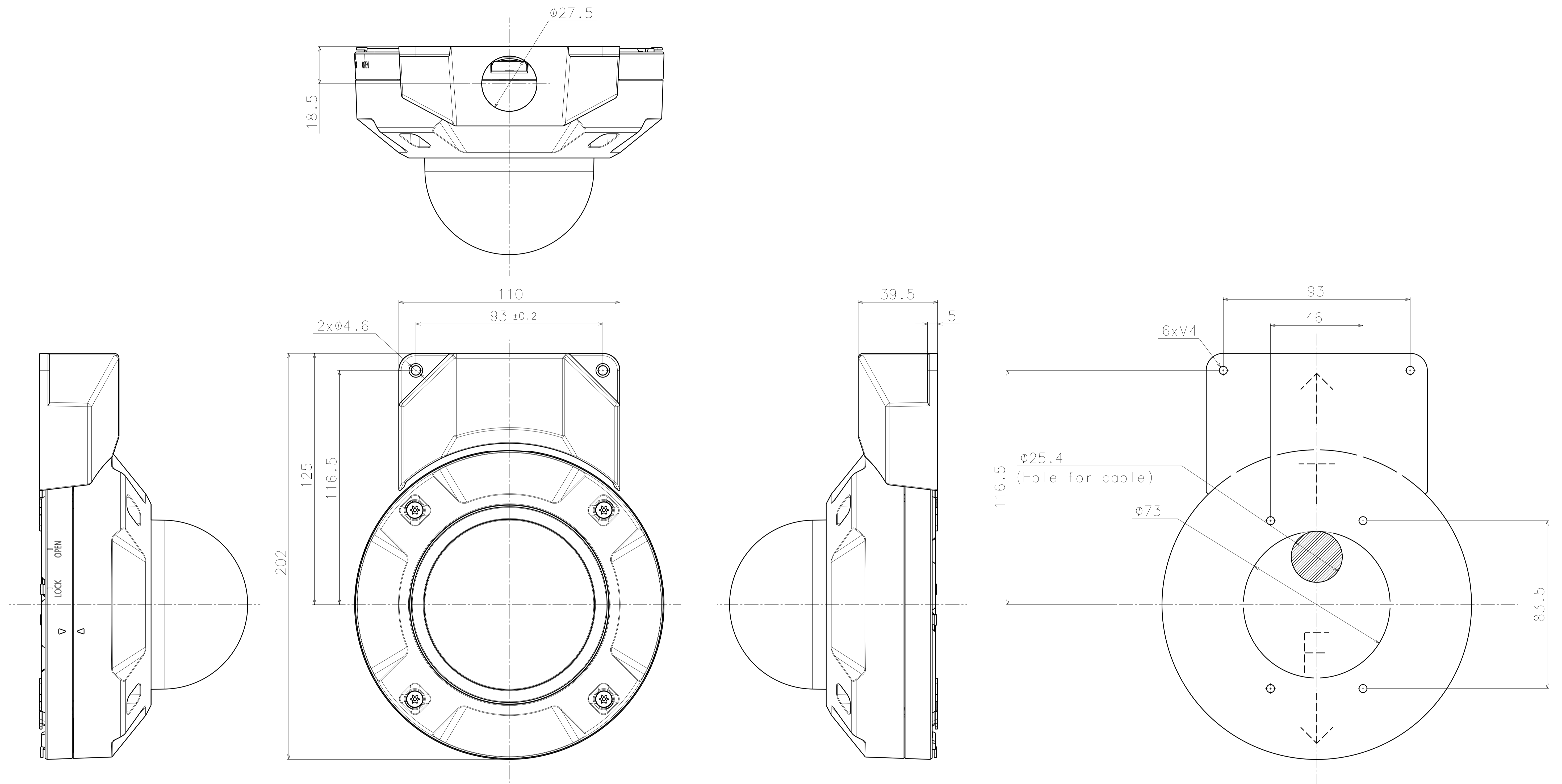


With Attachment plate

Model number
 WV-U2532LA
 WV-U2532LAV

	投影面積/Projected area
側面図/Side-view	0.011 (m ²)

Mass : Approx. 1.0 kg {2.21 lbs} (When using the Attachment plate)

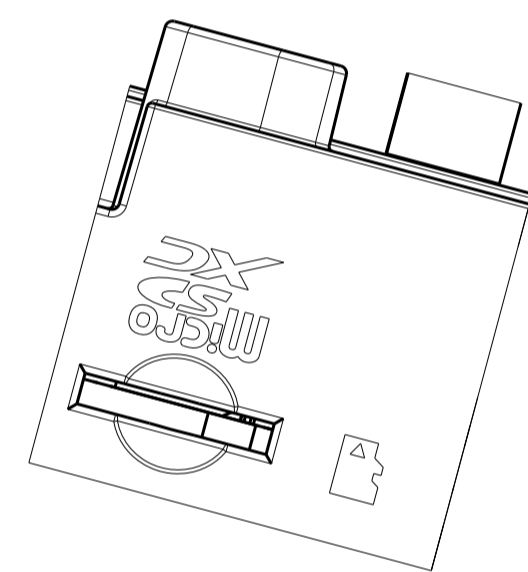


With Attachment for the conduit

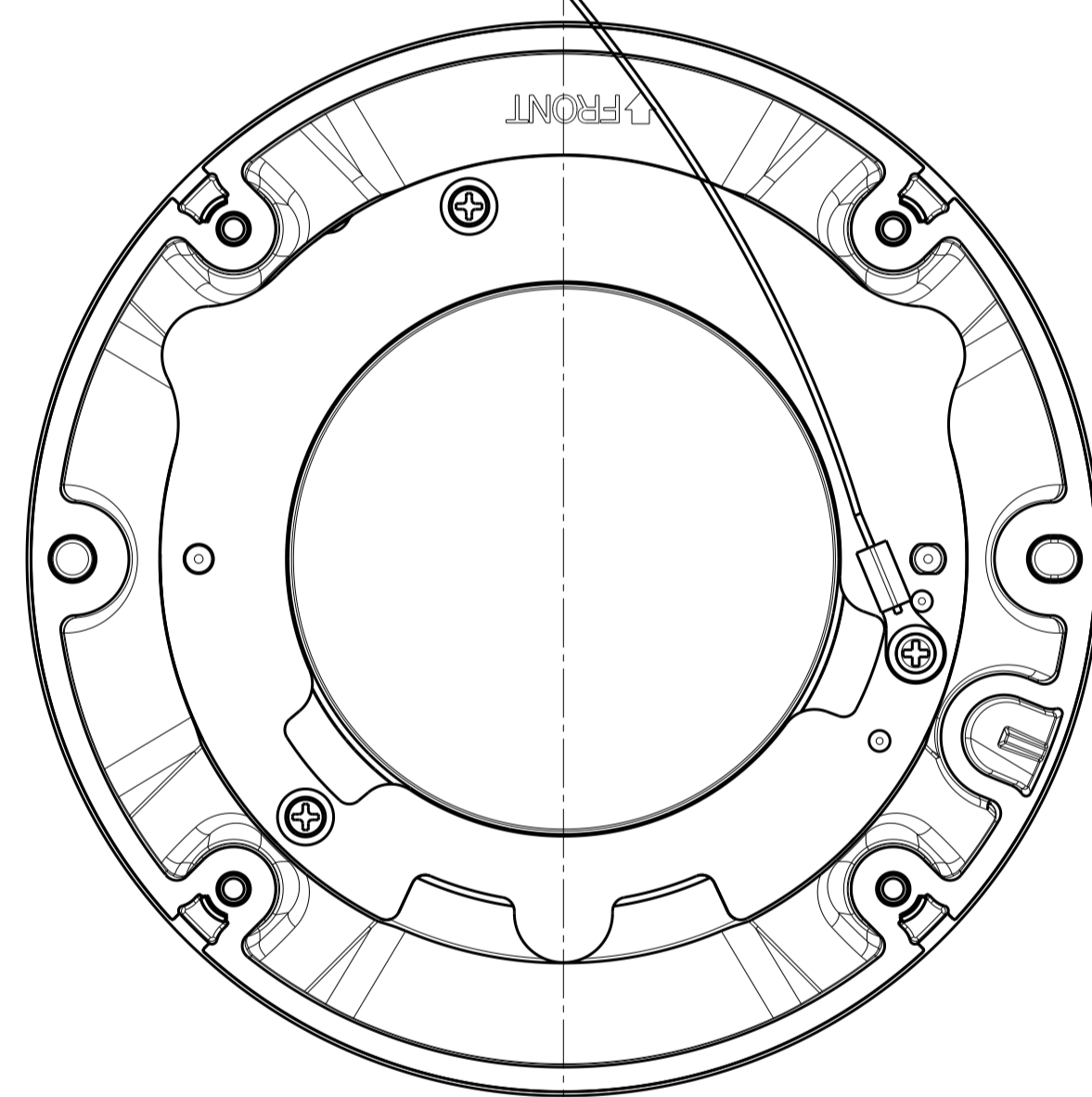
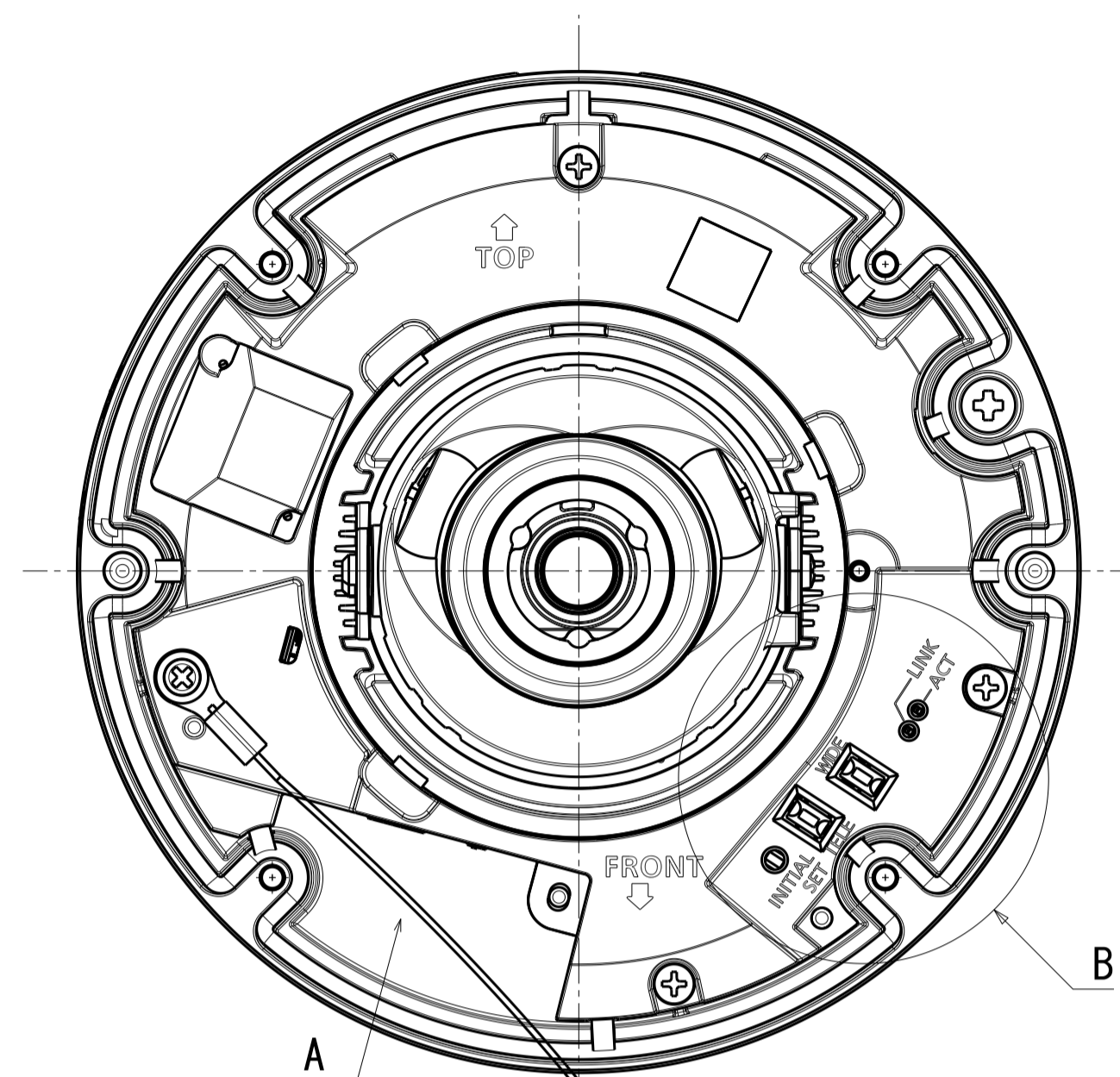
Template for mounting

Model number
 WV-U2532LA
 WV-U2532LAV

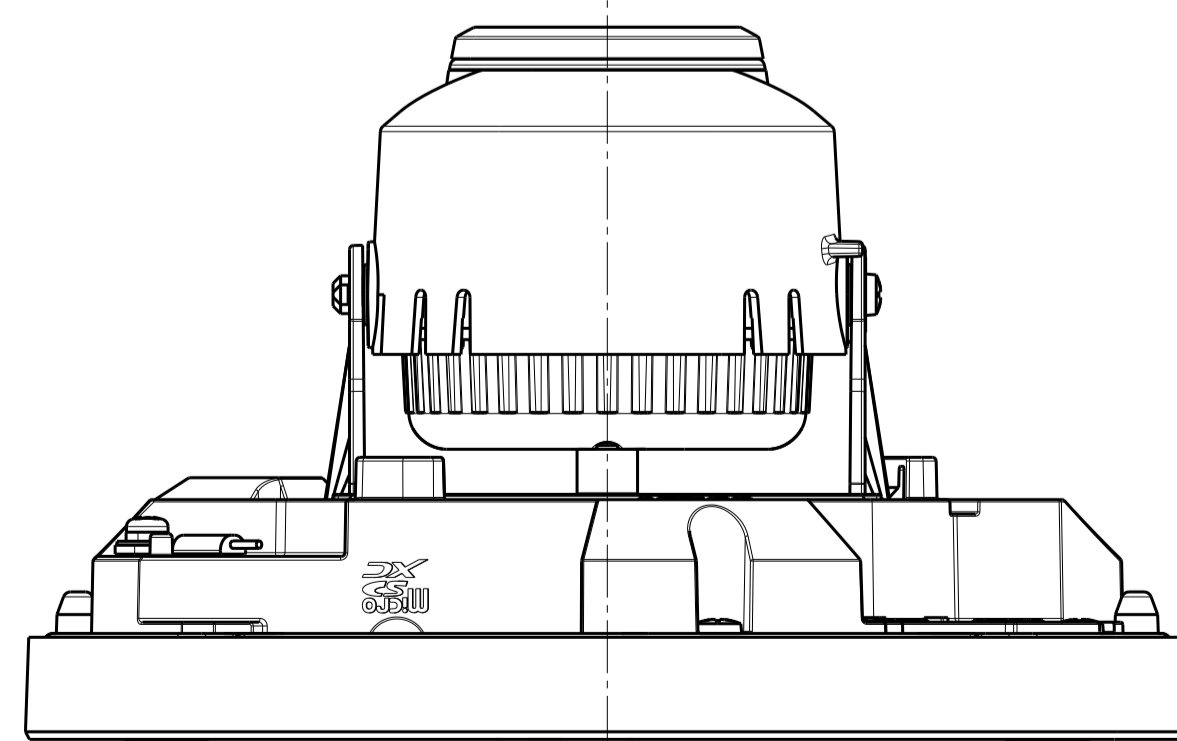
	投影面積/Projected area
側面図/Side-view	0.013 (m ²)



View A (2:1)

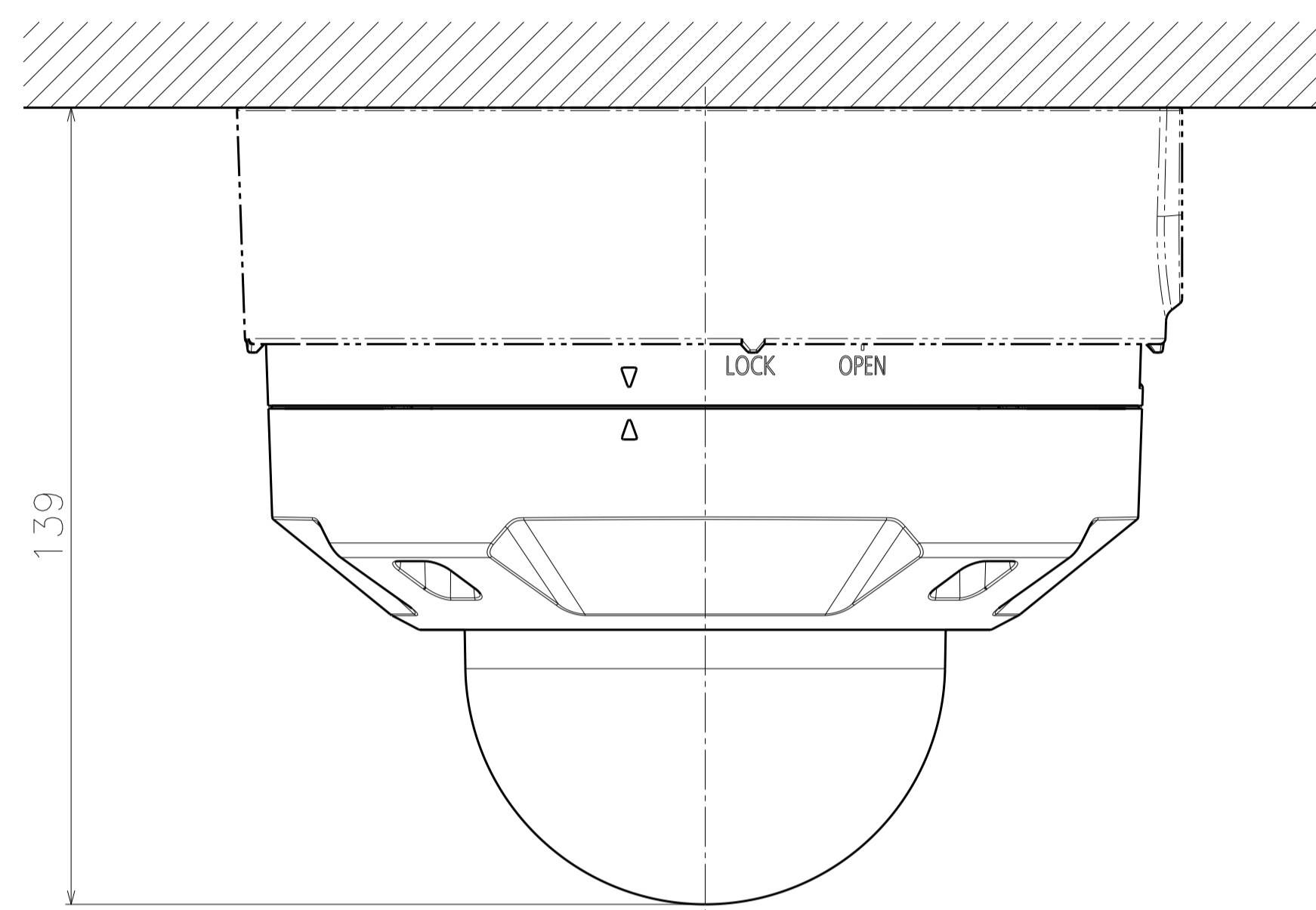


Detail B (2:1)



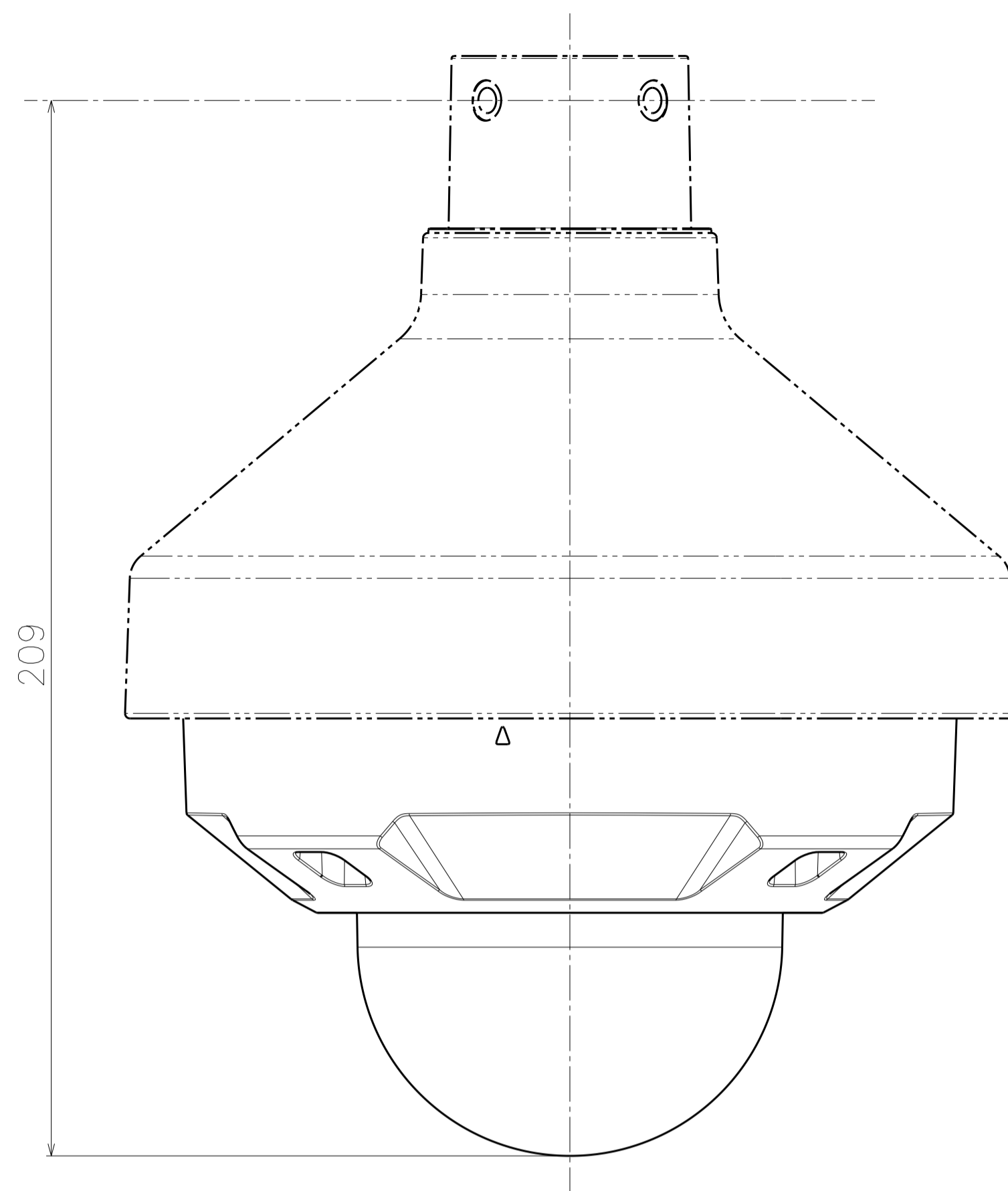
Without Enclosure

Model number
WV-U2532LA
WV-U2532LAV



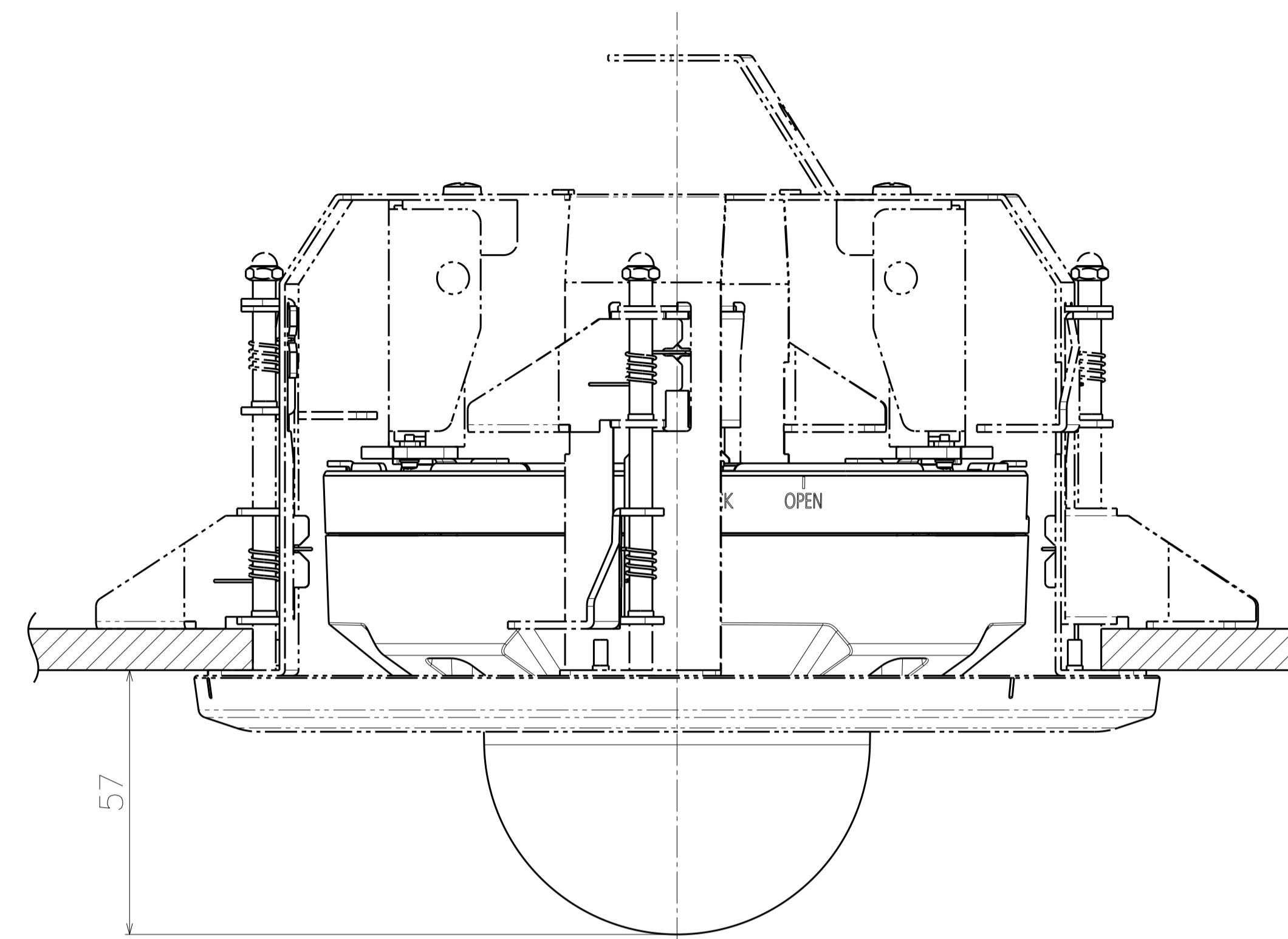
Attach to WV-QJB501-W

側面図/Side-view	投影面積/Projected area 0.017 (m ²)
---------------	--

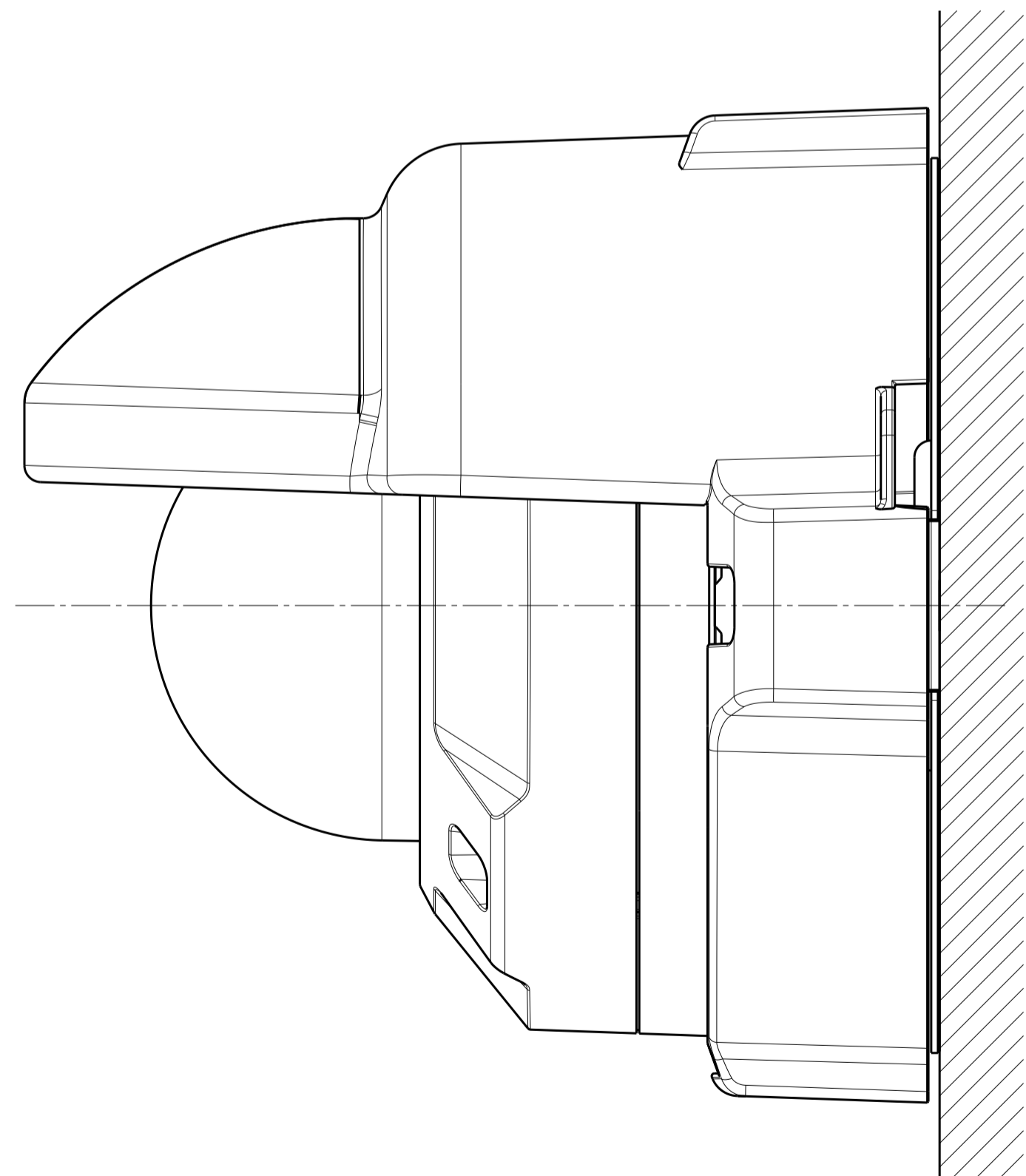


Attach to WV-QSR501-W

側面図/Side-view	投影面積/Projected area 0.021 (m ²)
---------------	--

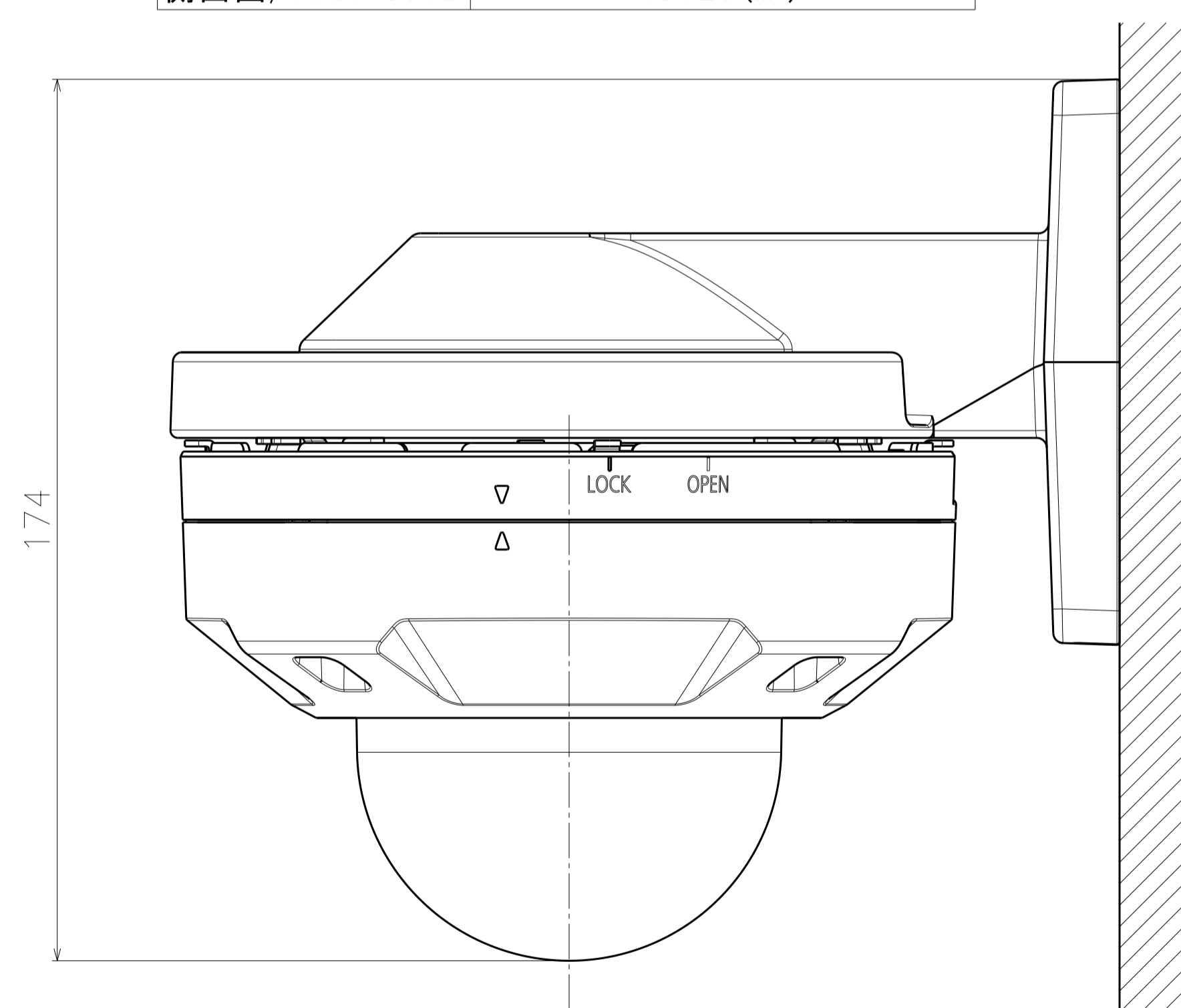


Attach to WV-QEM500-W



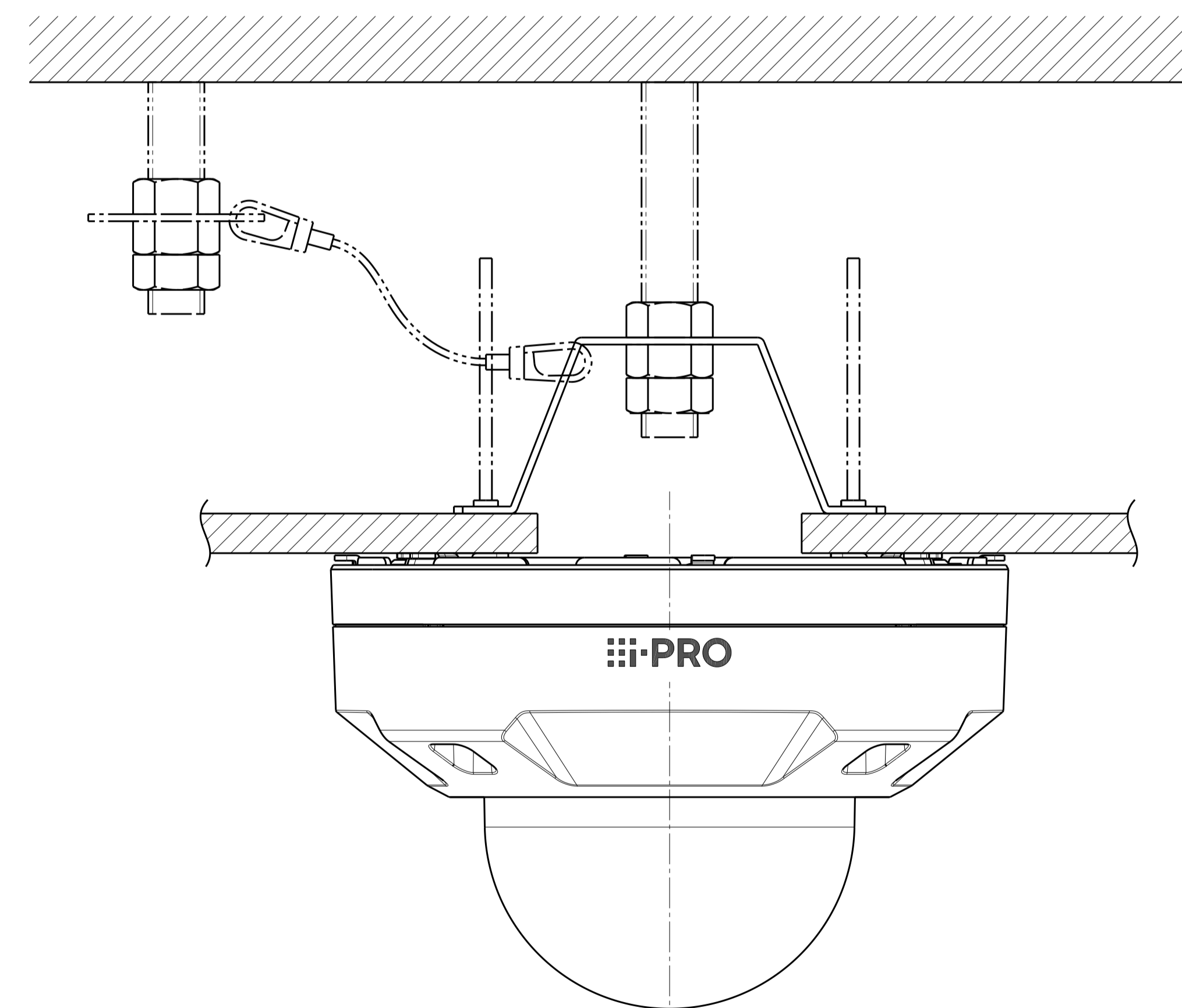
Attach to WV-QJB501-W & WV-QSR500-W

側面図/Side-view	投影面積/Projected area 0.021 (m ²)
---------------	--



Attach to WV-QWL500-W

側面図/Side-view	投影面積/Projected area 0.019 (m ²)
---------------	--



Attach to WV-Q105A

Model number
WV-U2532LA
WV-U2532LAV