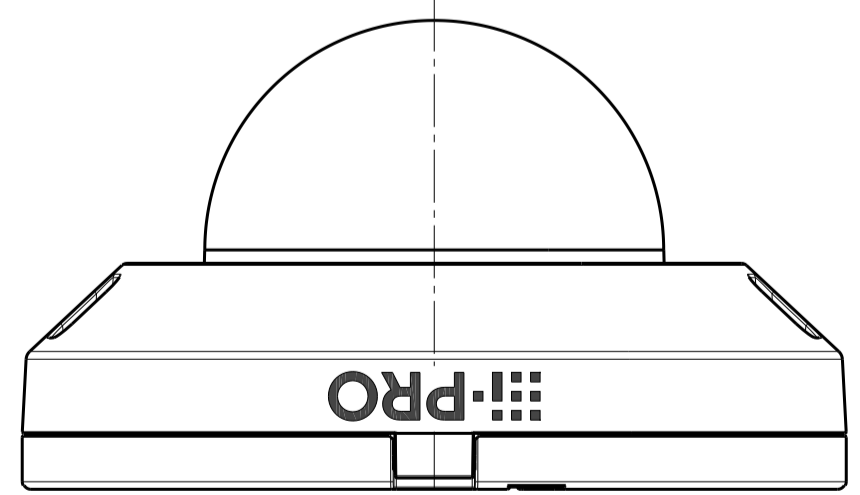


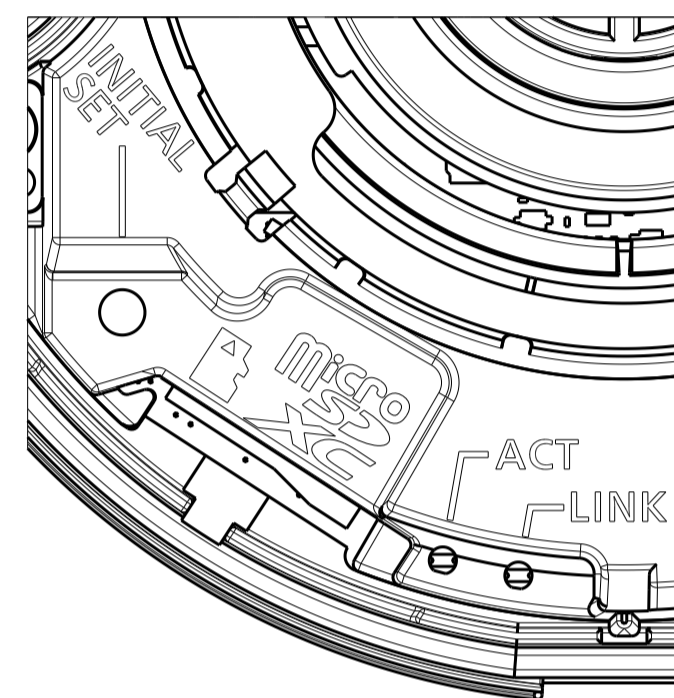
Template for mounting



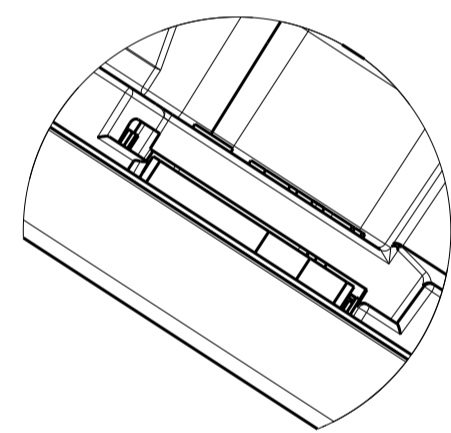
Model number	WV-U2530LA
	WV-U2530LAV

側面図/Side-view	投影面積/Projected area
	0.005 (m ²)

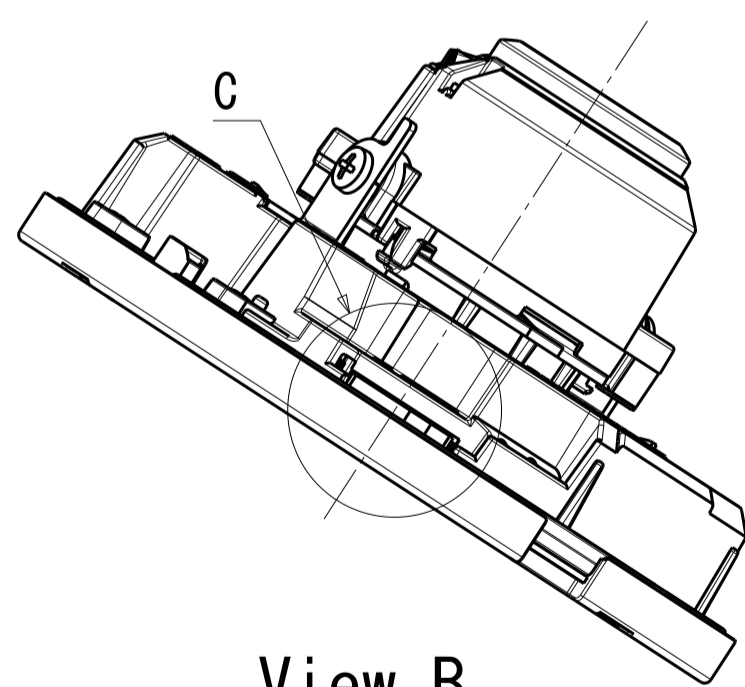
Mass : Approx. 270 g {0.60 lbs}



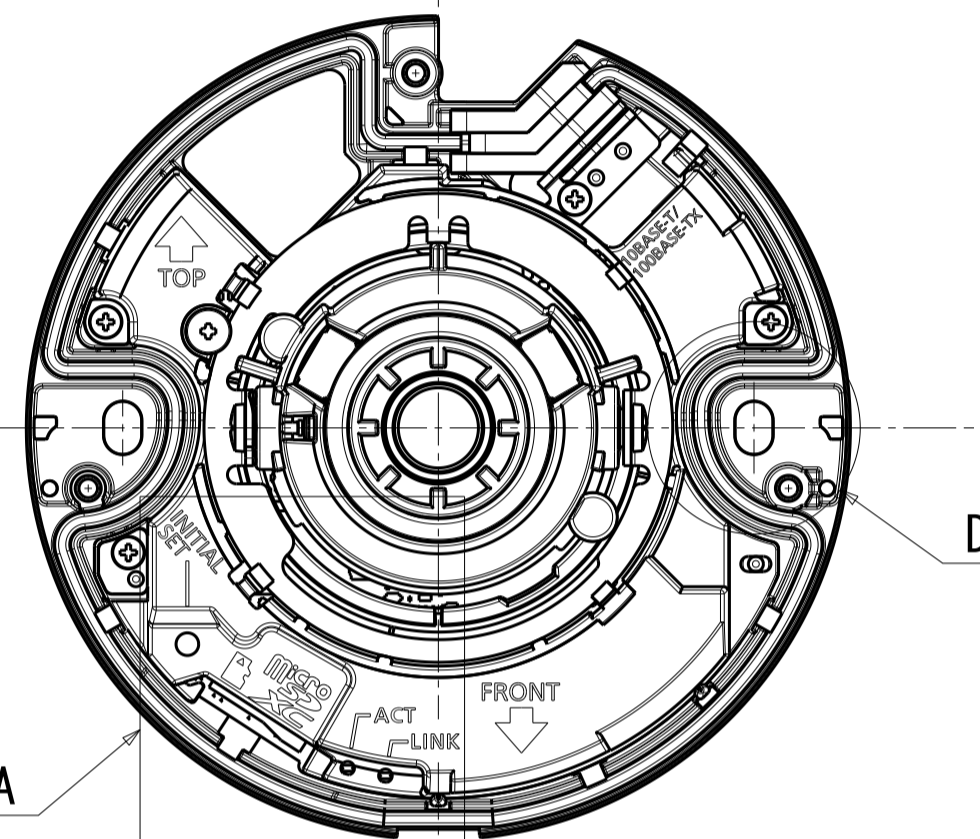
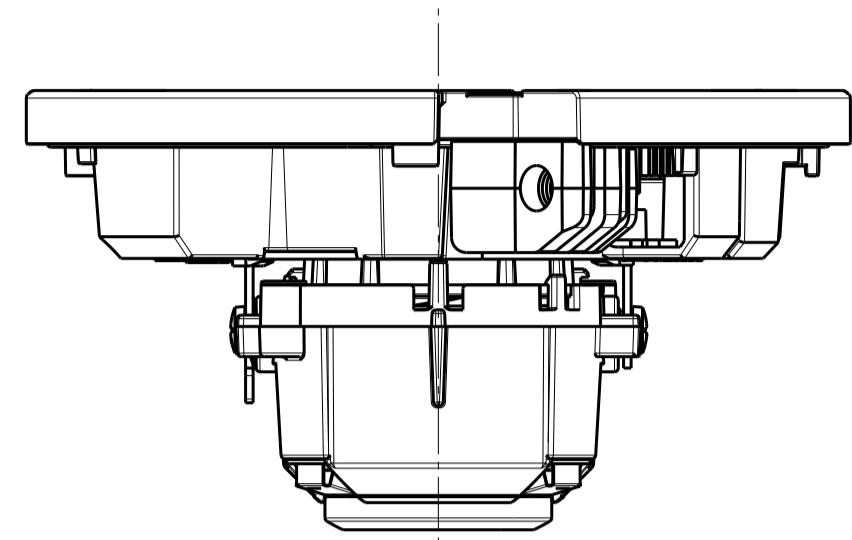
Detail A (2:1)



Detail C (2:1)

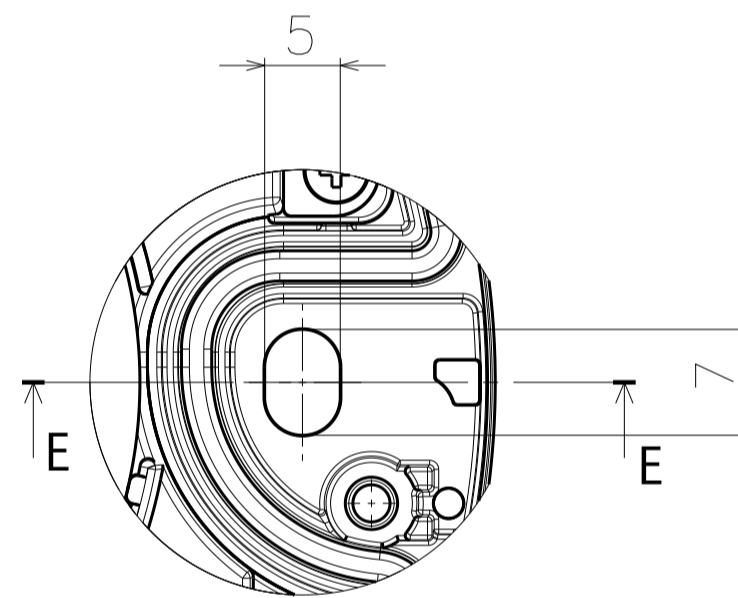


View B

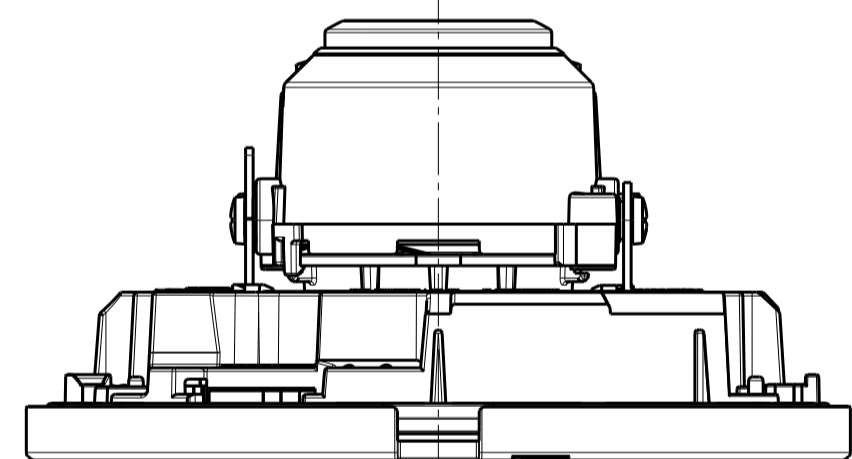


A

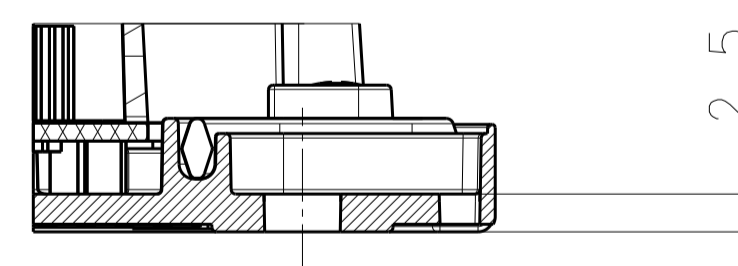
B



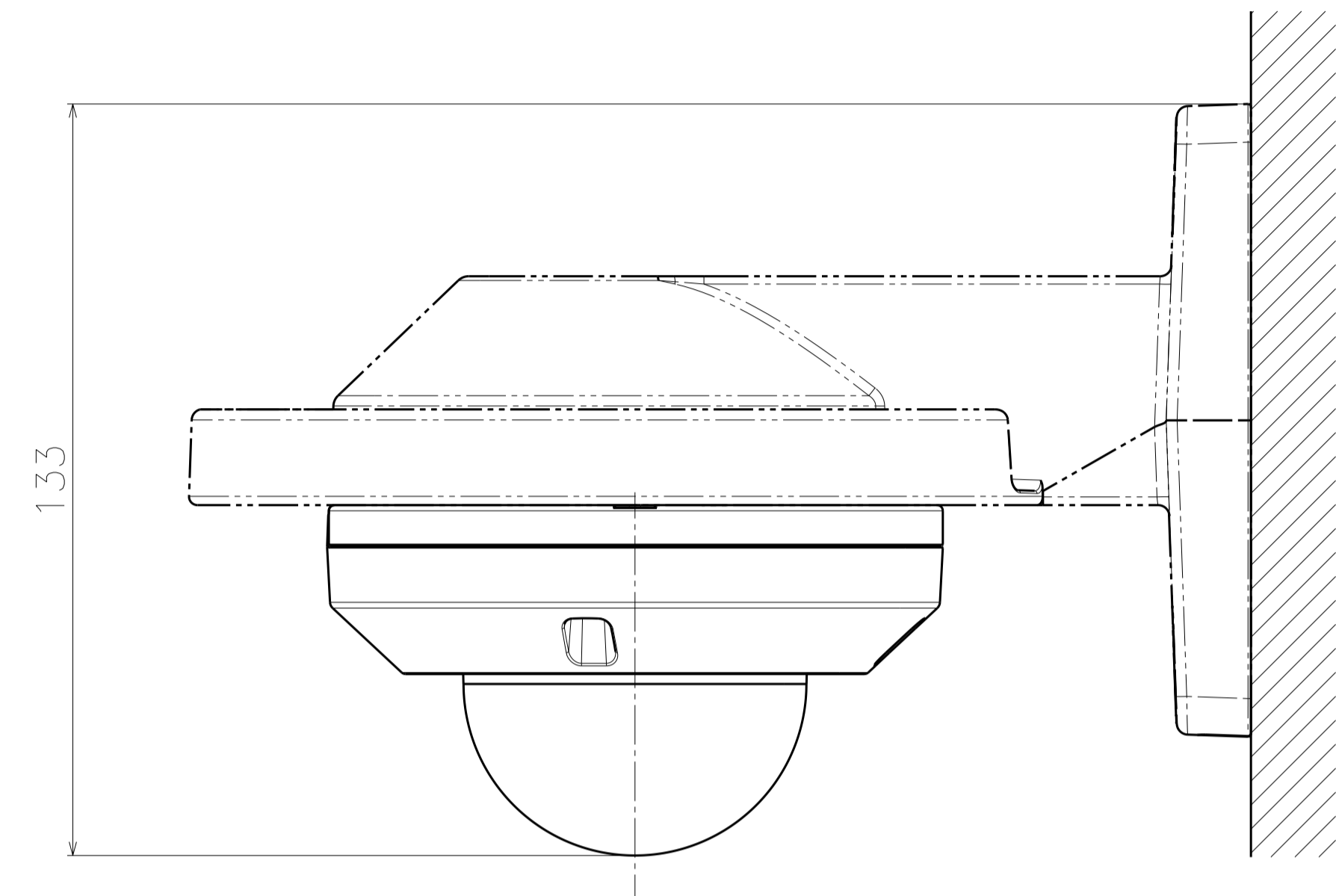
Detail D (2:1)
Symmetrical



Without Enclosure

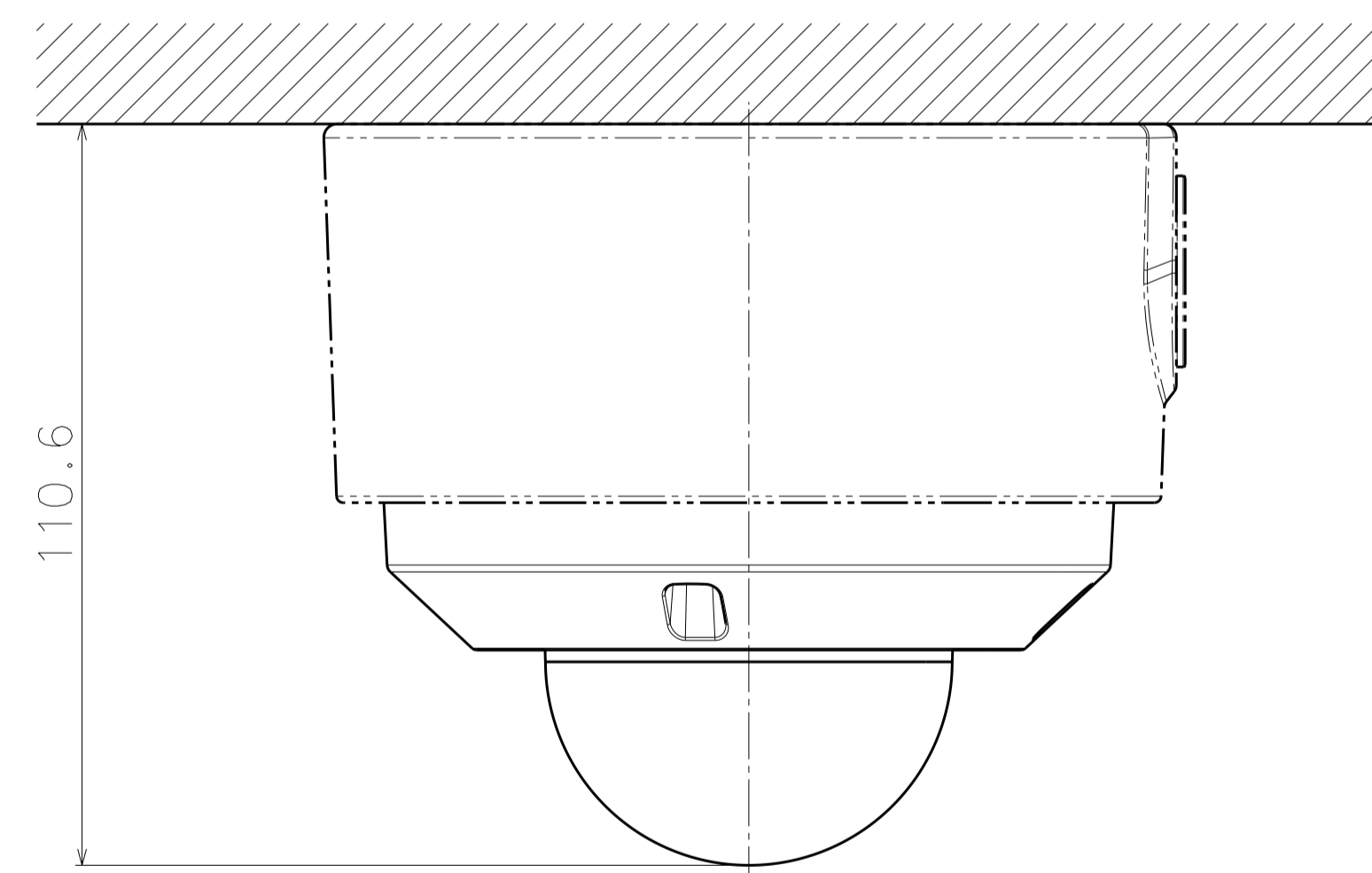


SEC E-E (2:1)
Symmetrical



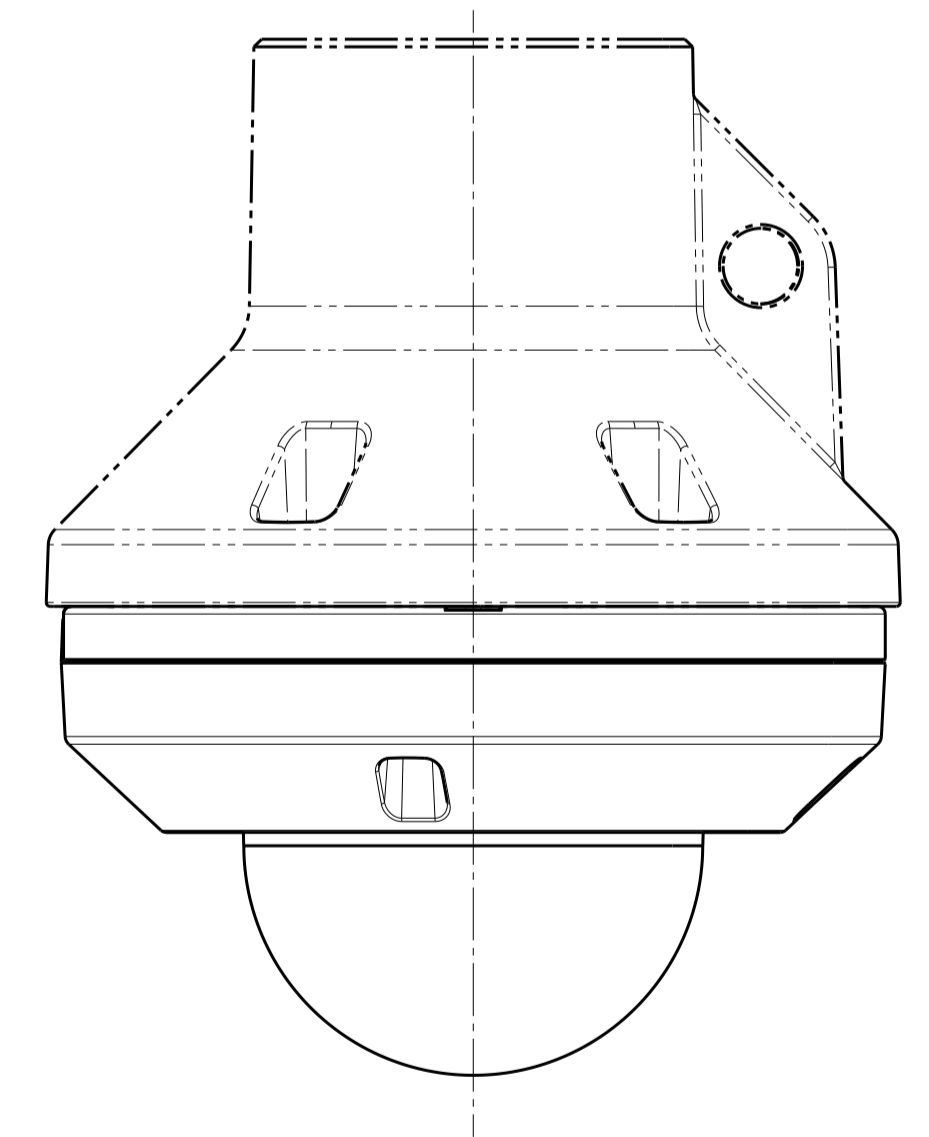
Attach to WV-QWL500-W

	投影面積/Projected area
側面図/Side-view	0.013(m ²)



Attach to WV-QJB502-W

	投影面積/Projected area
側面図/Side-view	0.011(m ²)



Attach to WV-QCL100-W