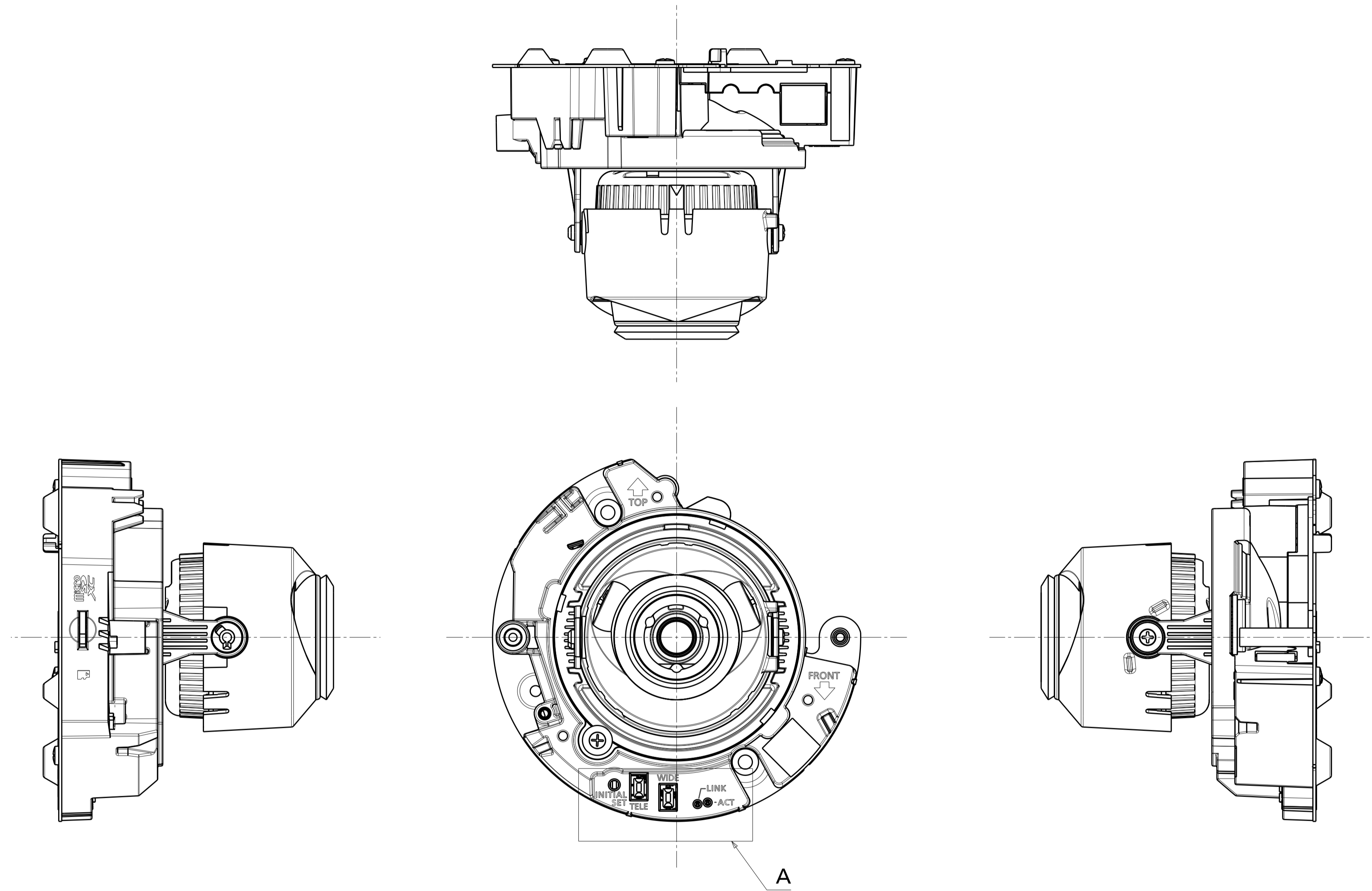
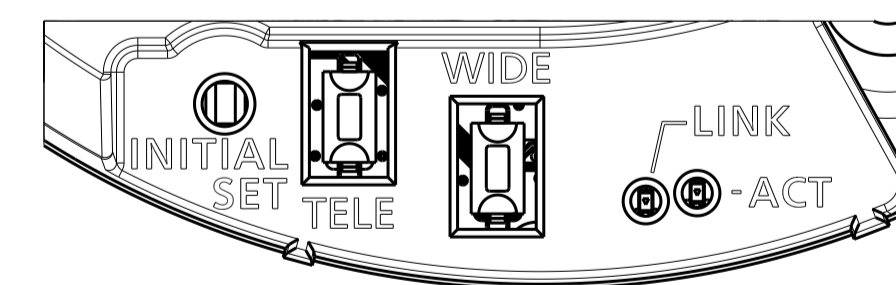


Model number
 WV-U2142LA
 WV-U2142LAV

Mass : Approx. 350 g {0.77 lbs}

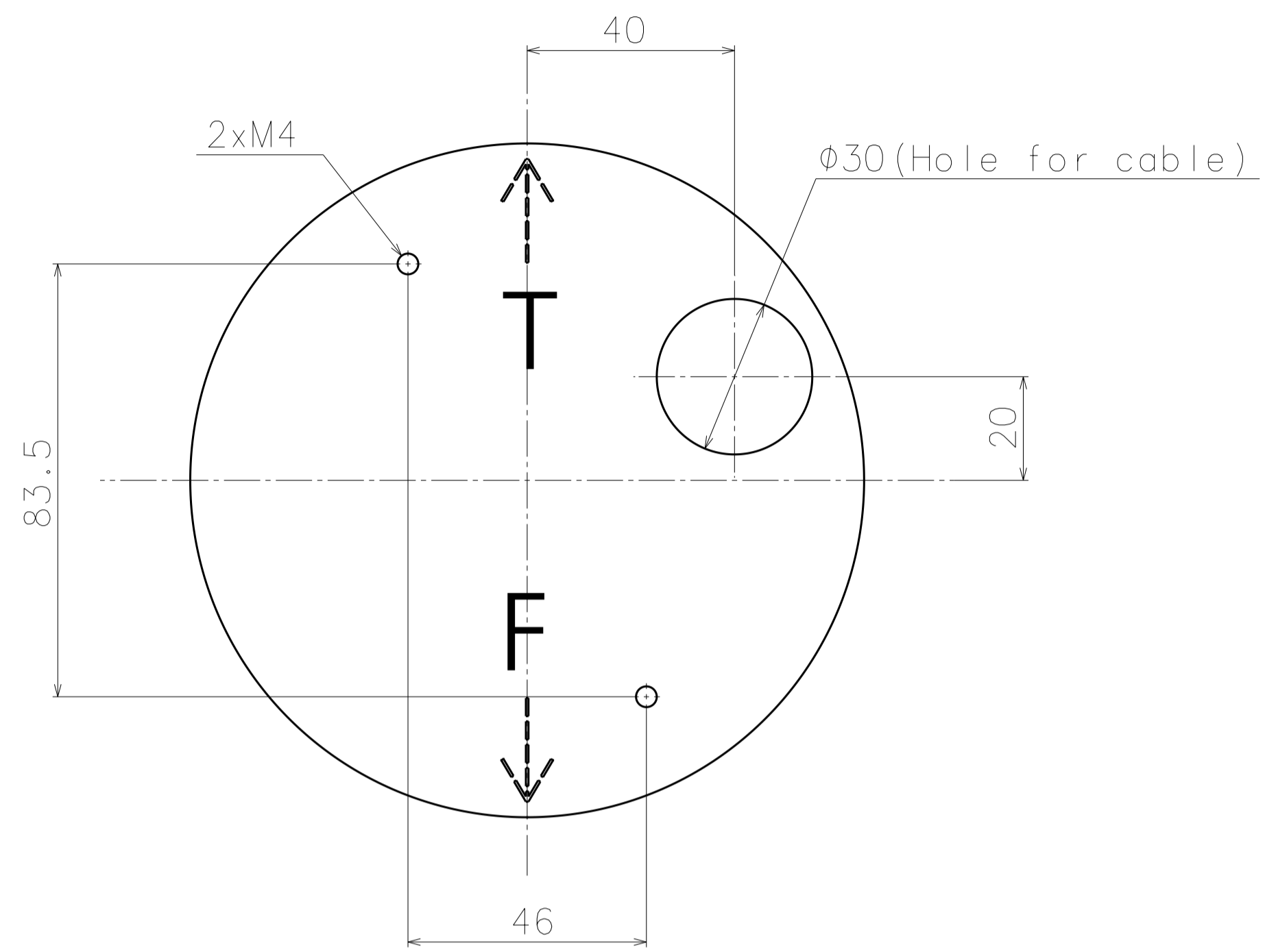


Without Enclosure

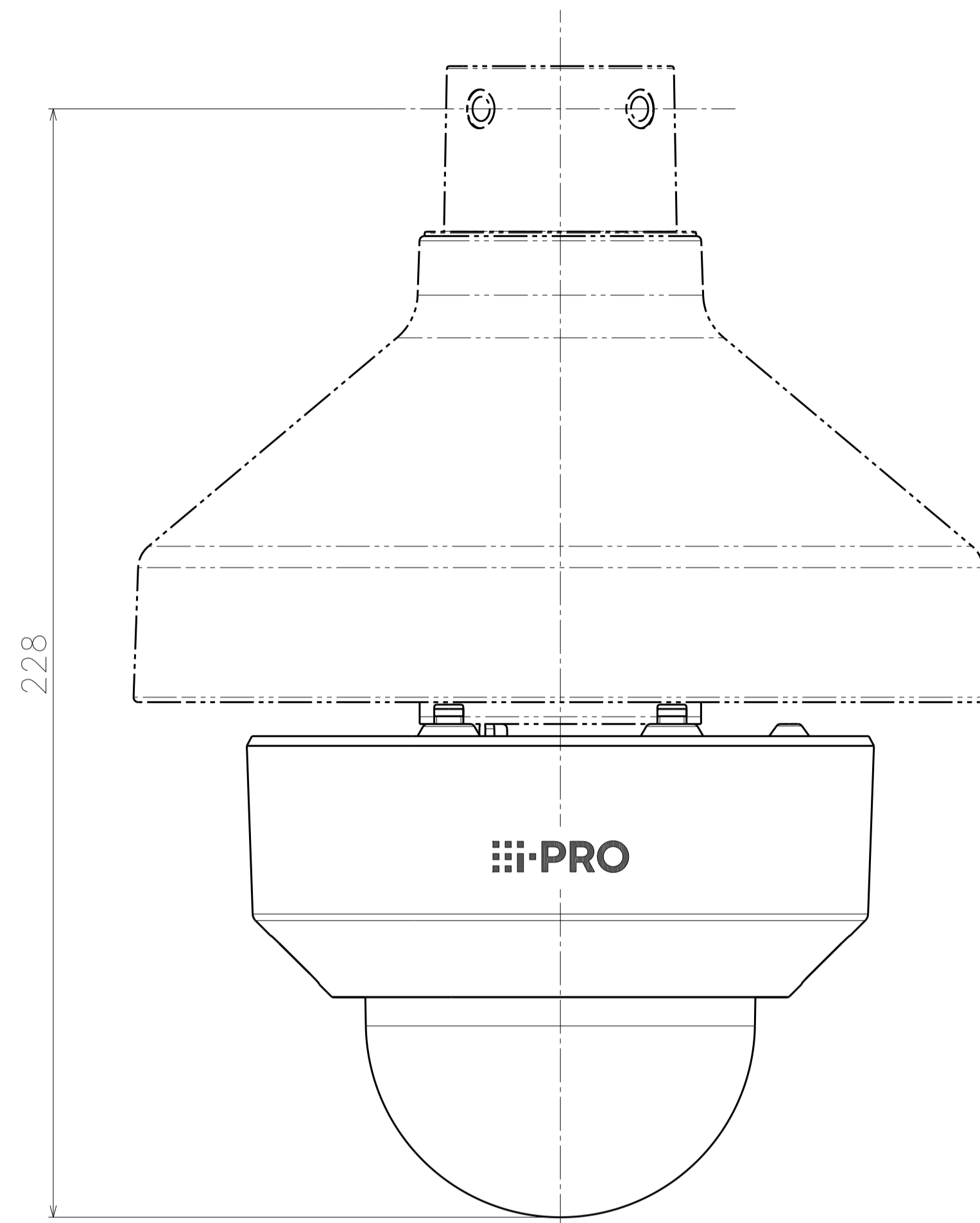


Detail A (2:1)

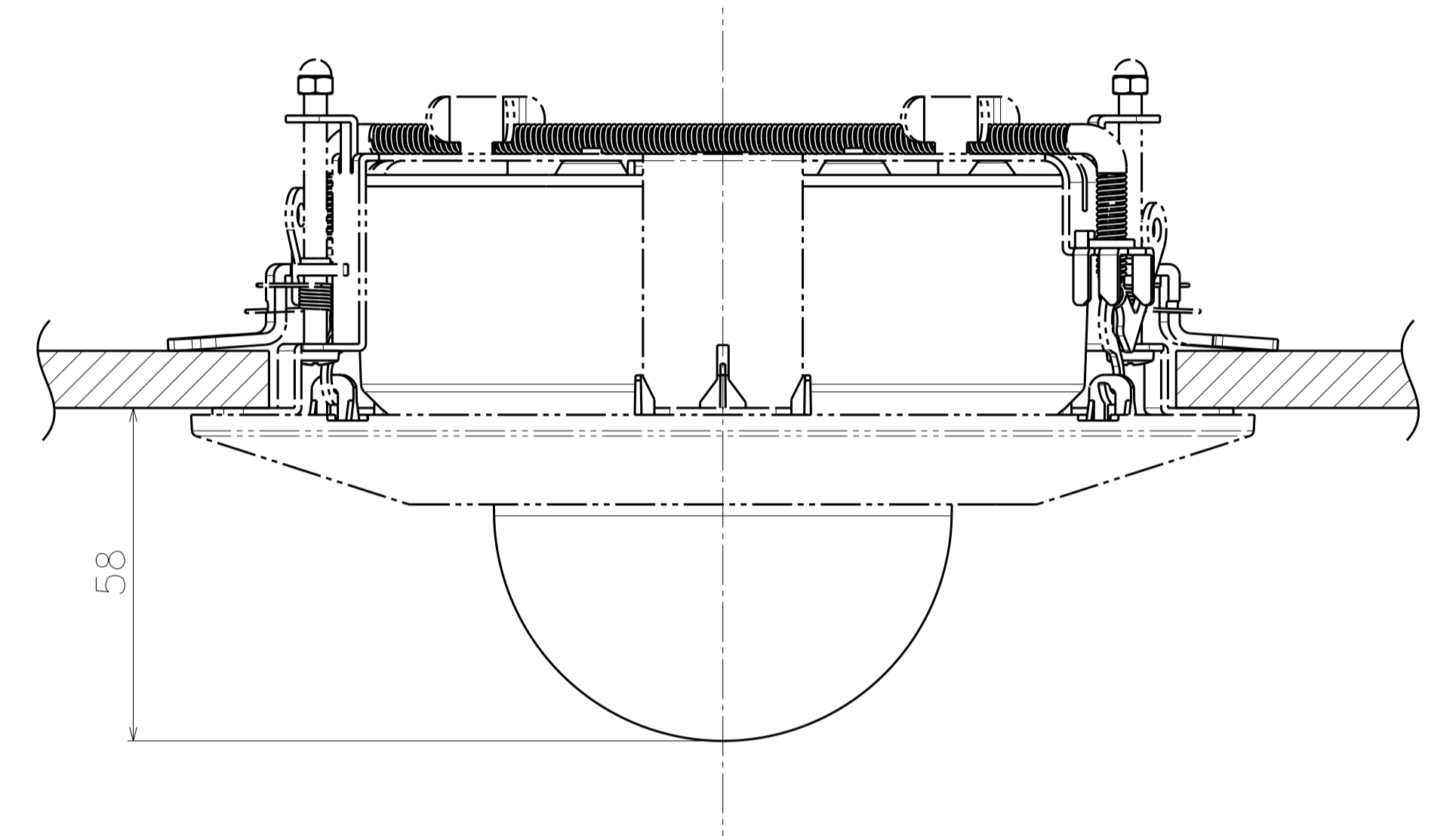
Model number
WV-U2142LA
WV-U2142LAV



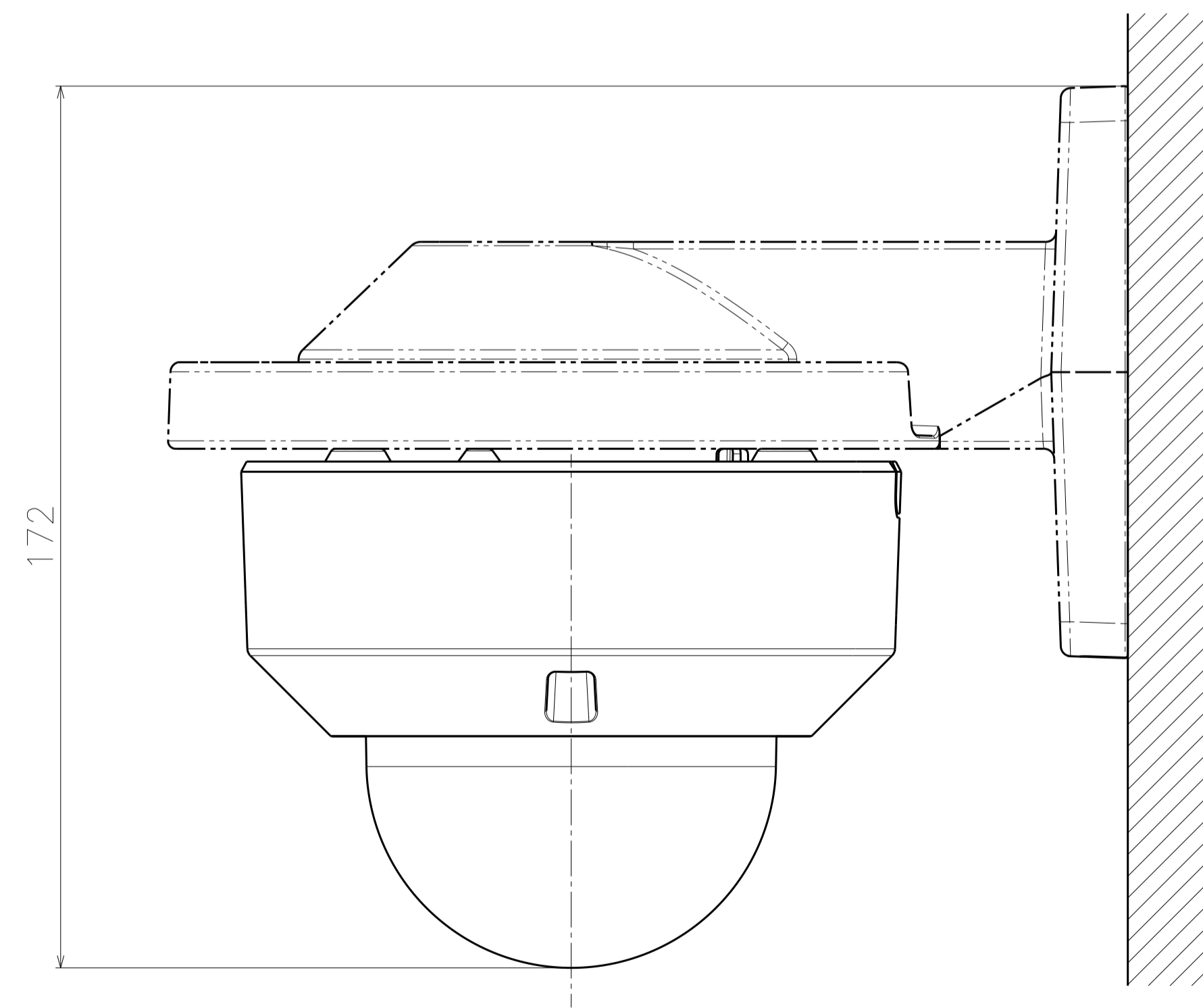
Template for mounting



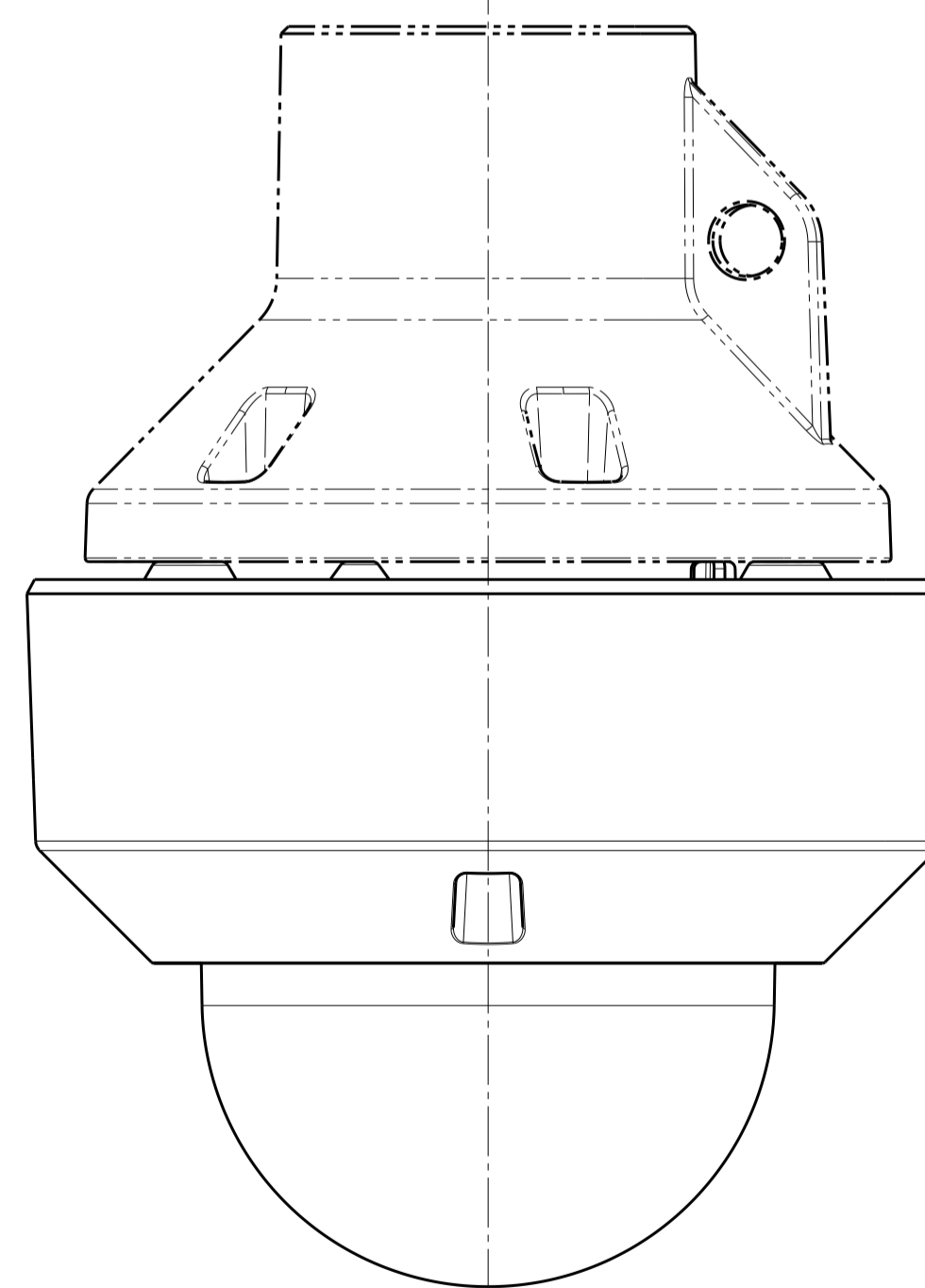
Attach to WV-QSR501-W



Attach to WV-QEM100-W



Attach to WV-QWL500-W



Attach to WV-QCL100-W

Model number
WV-U2142LA
WV-U2142LAV