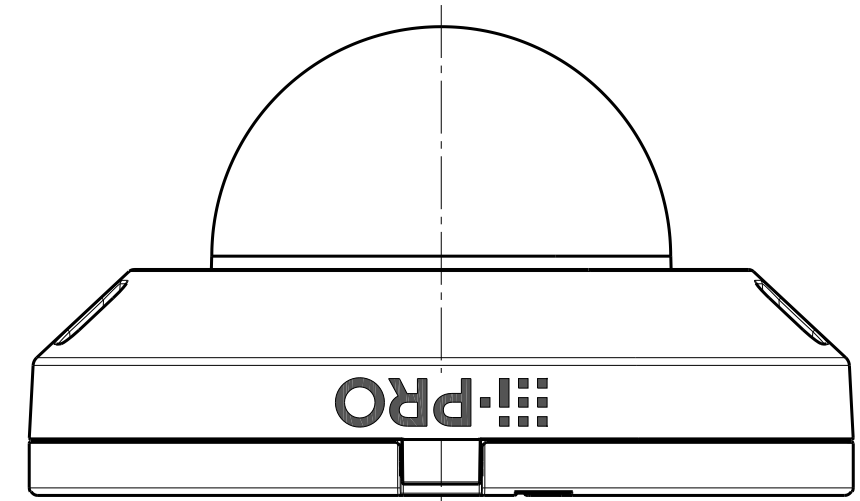
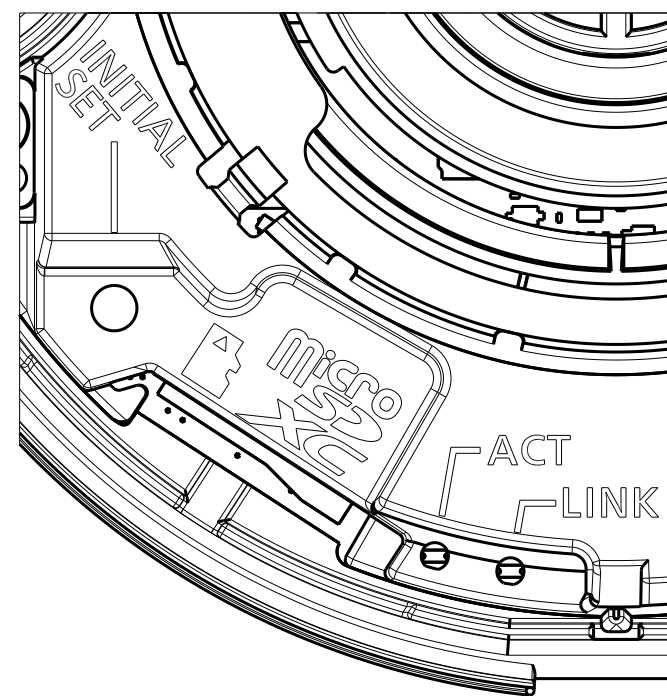


Template for mounting

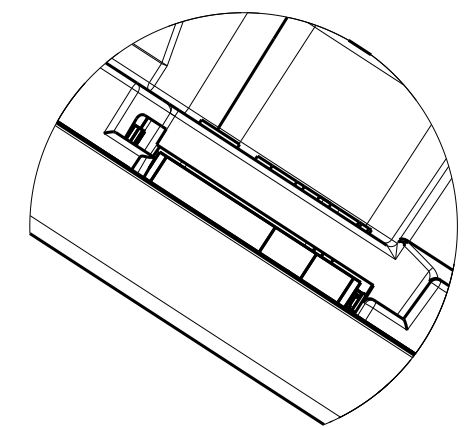


| |
|--------------|
| Model number |
| WV-U2140LA |
| WV-U2140LAV |

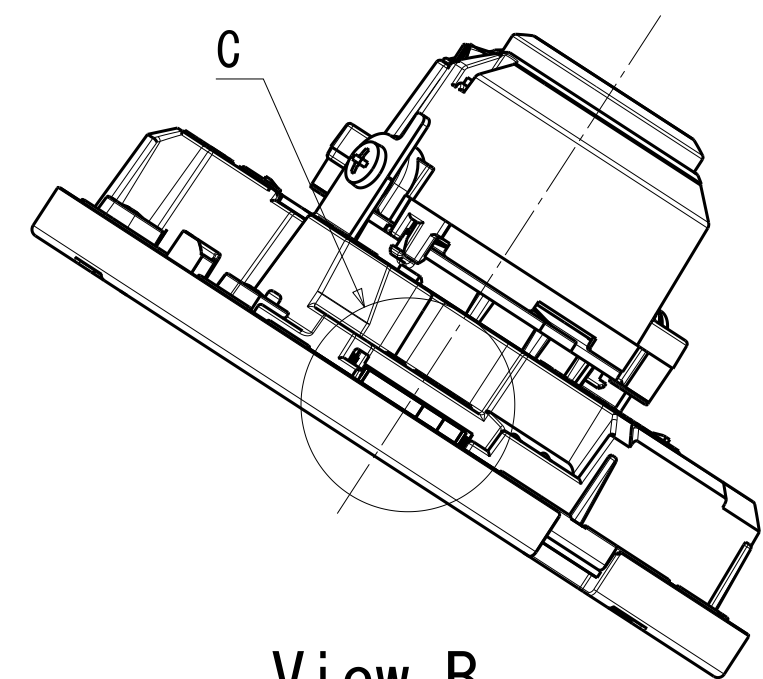
Mass : Approx. 250 g {0.55 lbs}



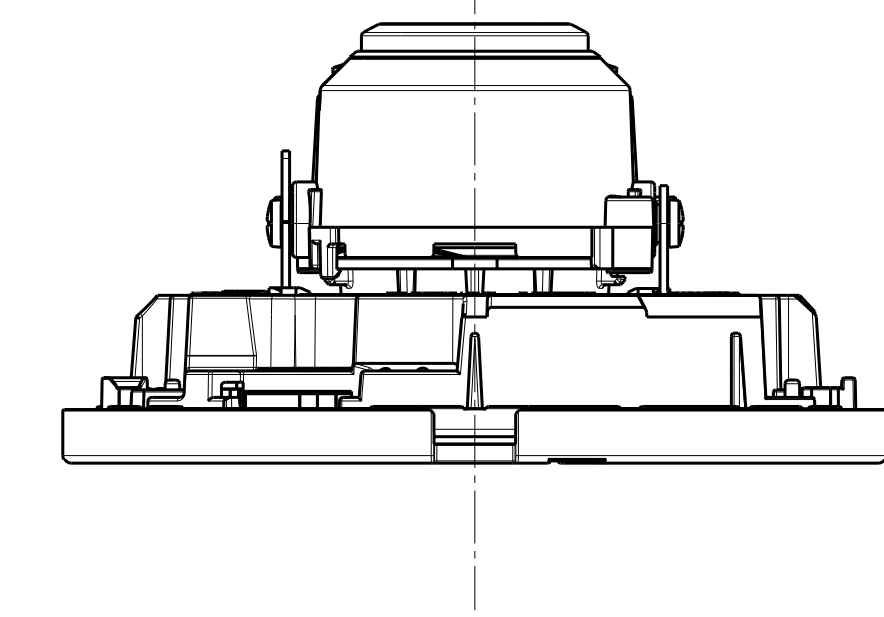
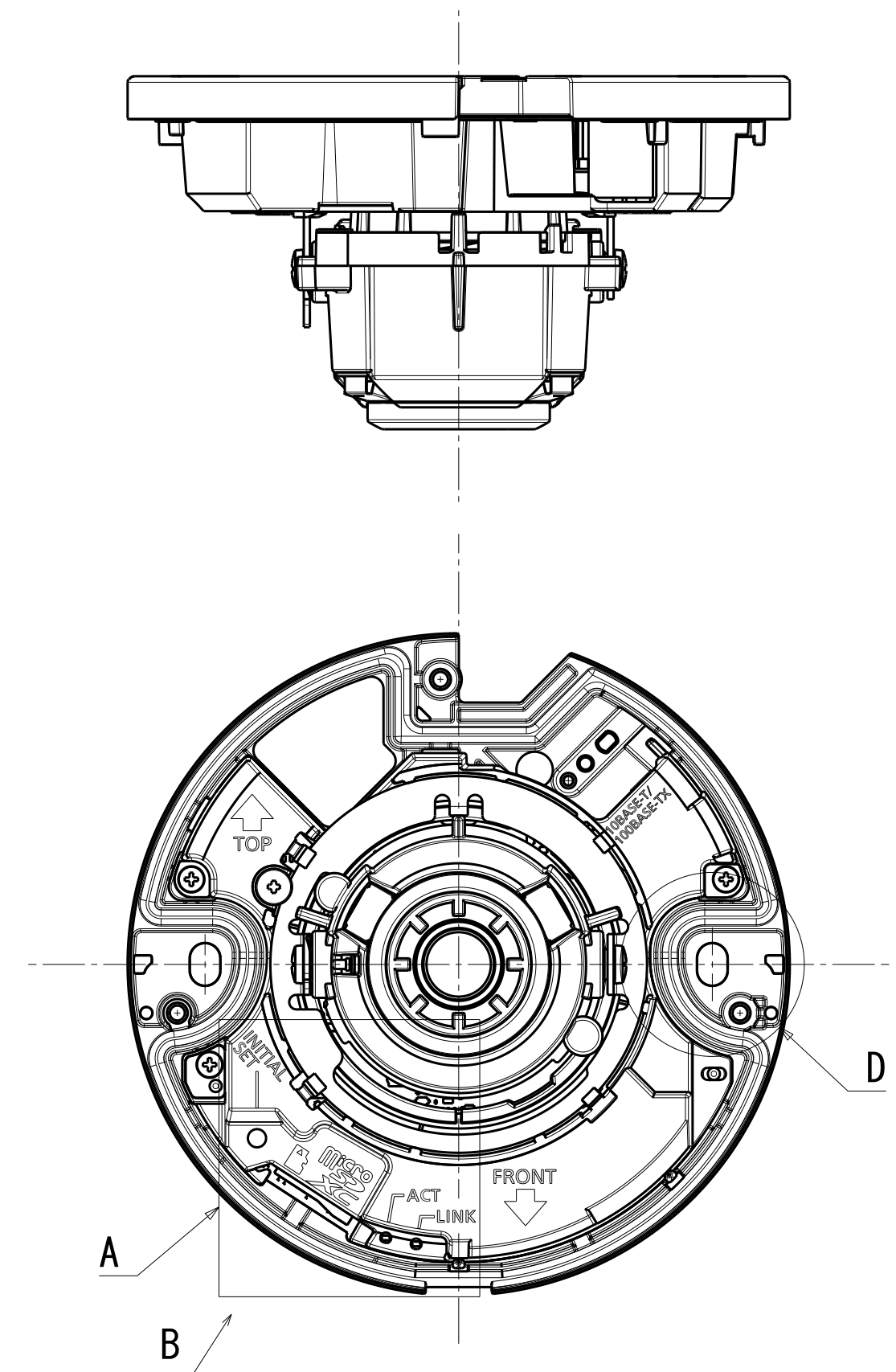
Detail A (2:1)



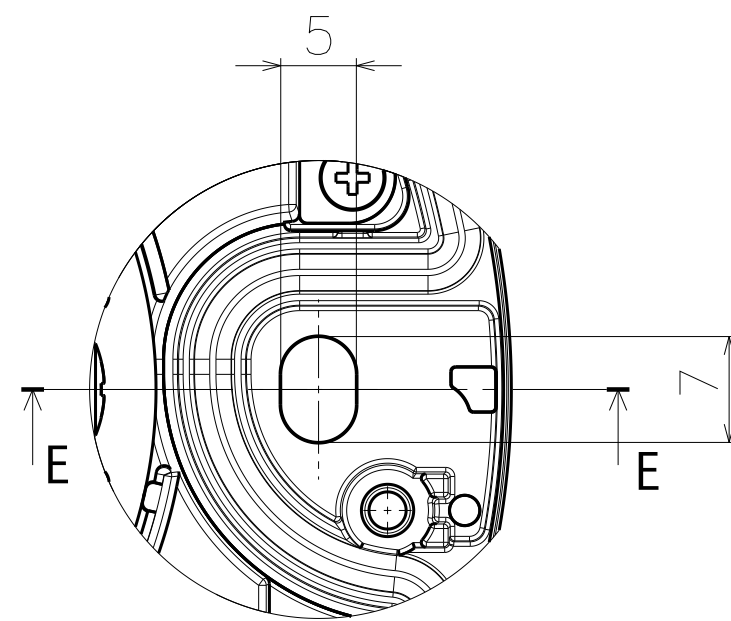
Detail C (2:1)



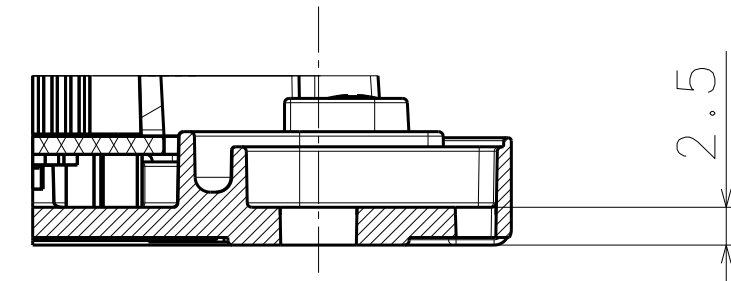
View B



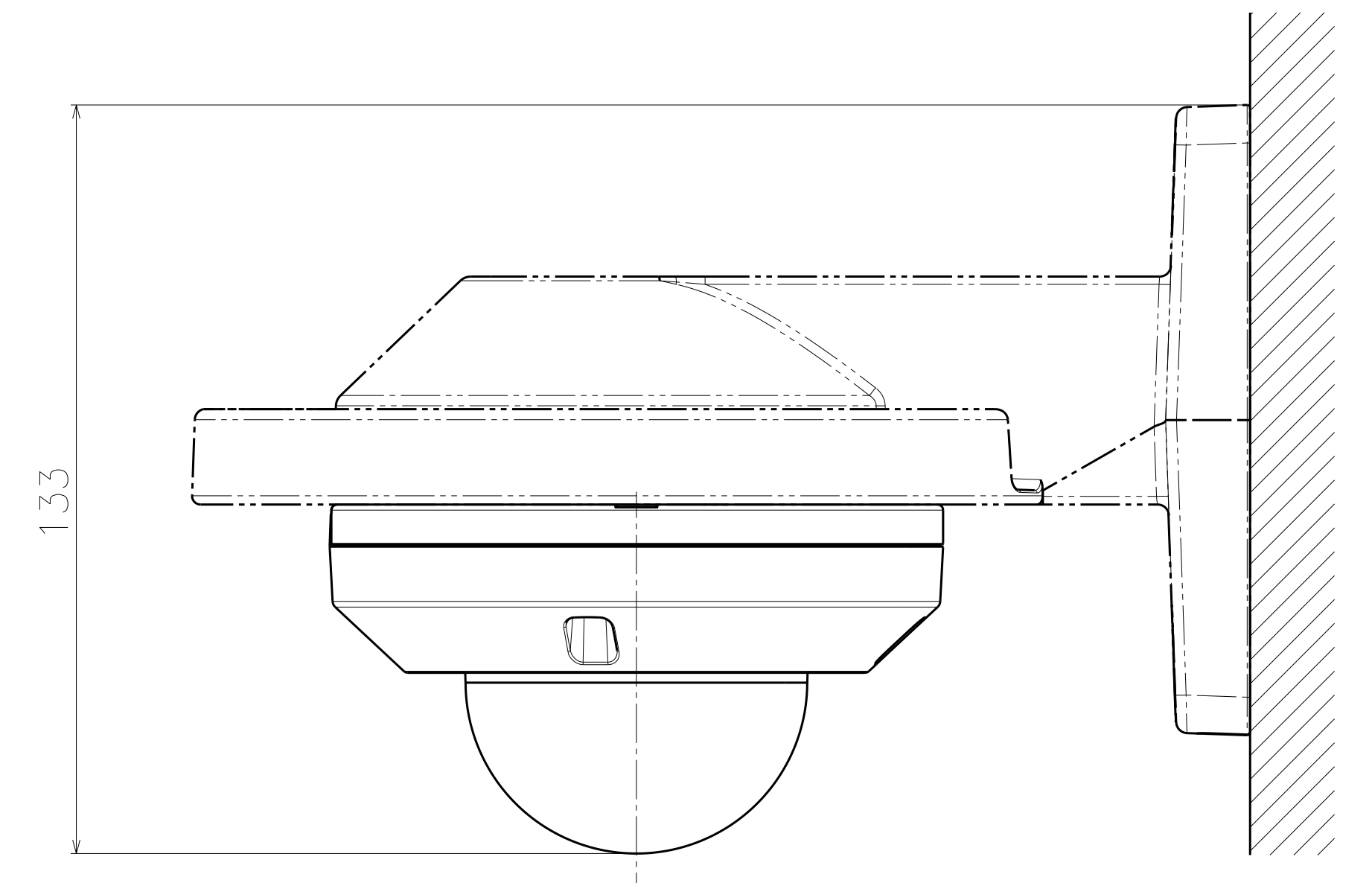
Without Enclosure



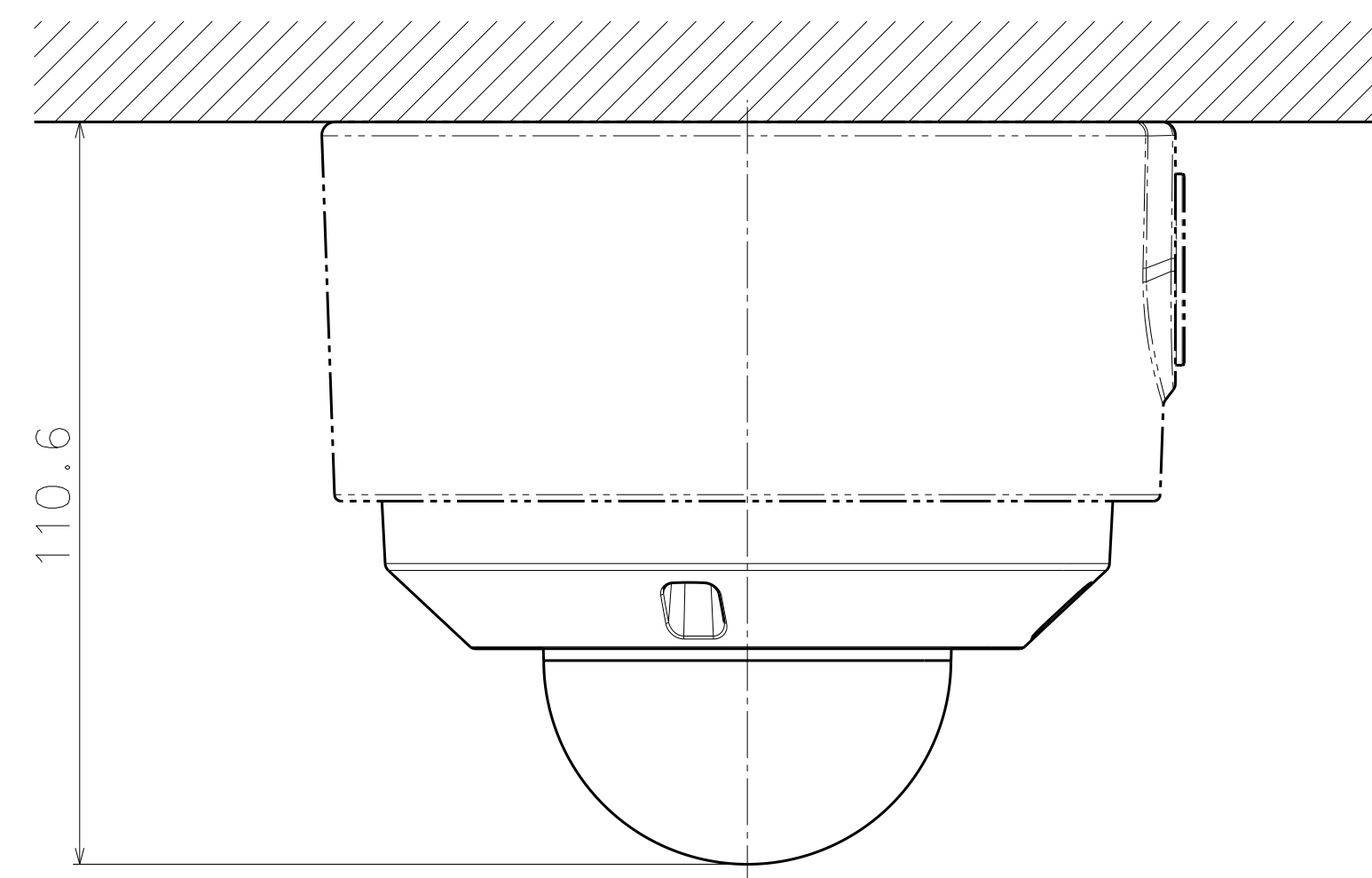
Detail D (2:1)
Symmetrical



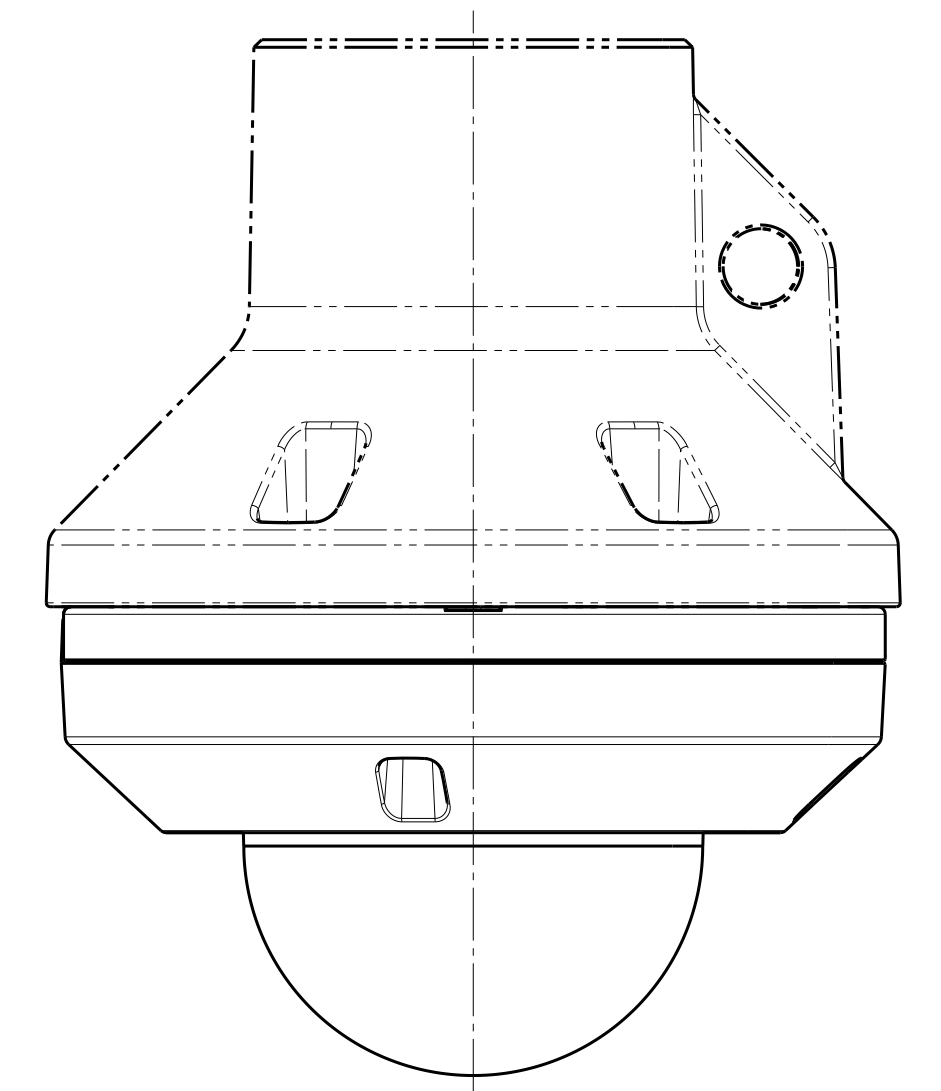
SEC E-E (2:1)
Symmetrical



Attach to WV-QWL500-W



Attach to WV-QJB502-W



Attach to WV-QCL100-W