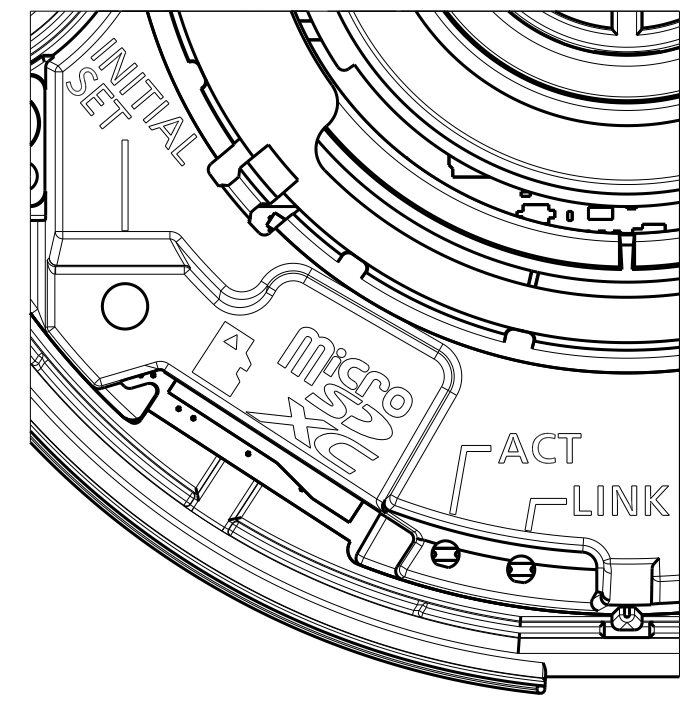


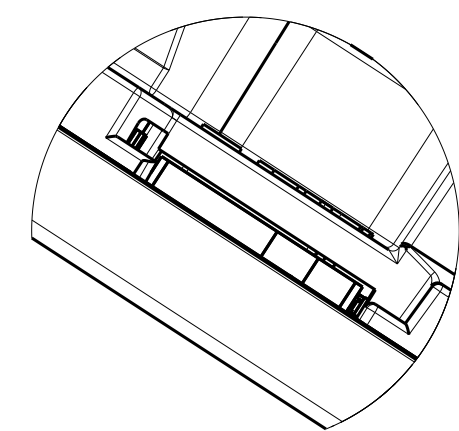
Template for mounting

| |
|--------------|
| Model number |
| WV-U2130LA |
| WV-U2130LAV |

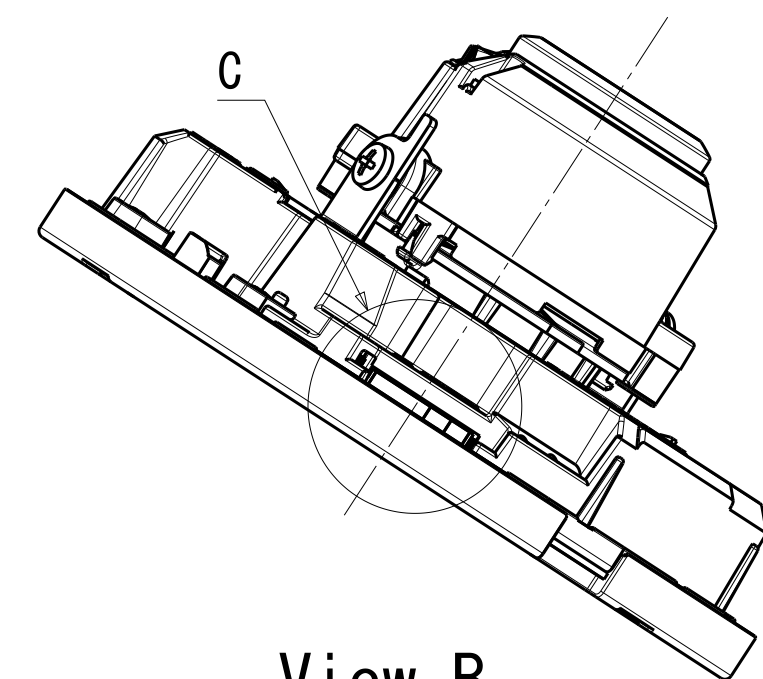
Mass : Approx. 250 g {0.55 lbs}



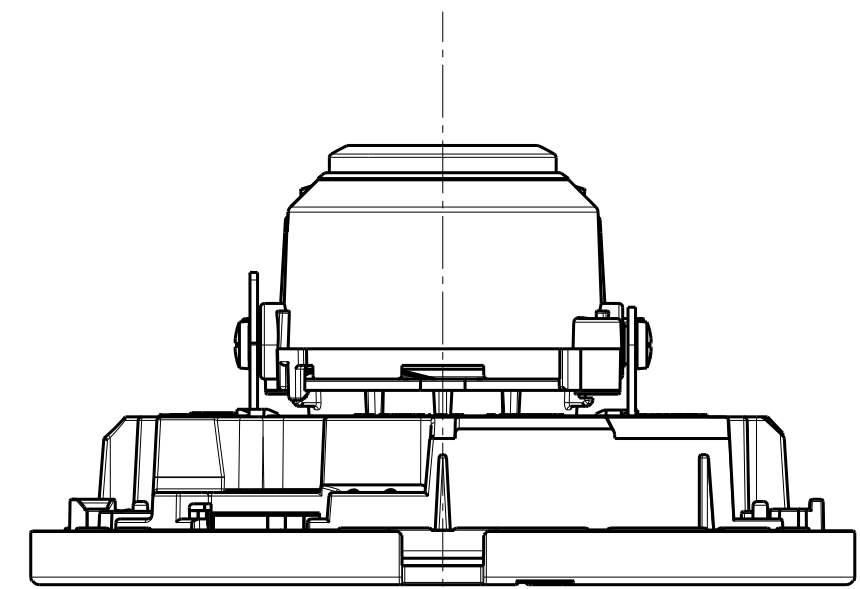
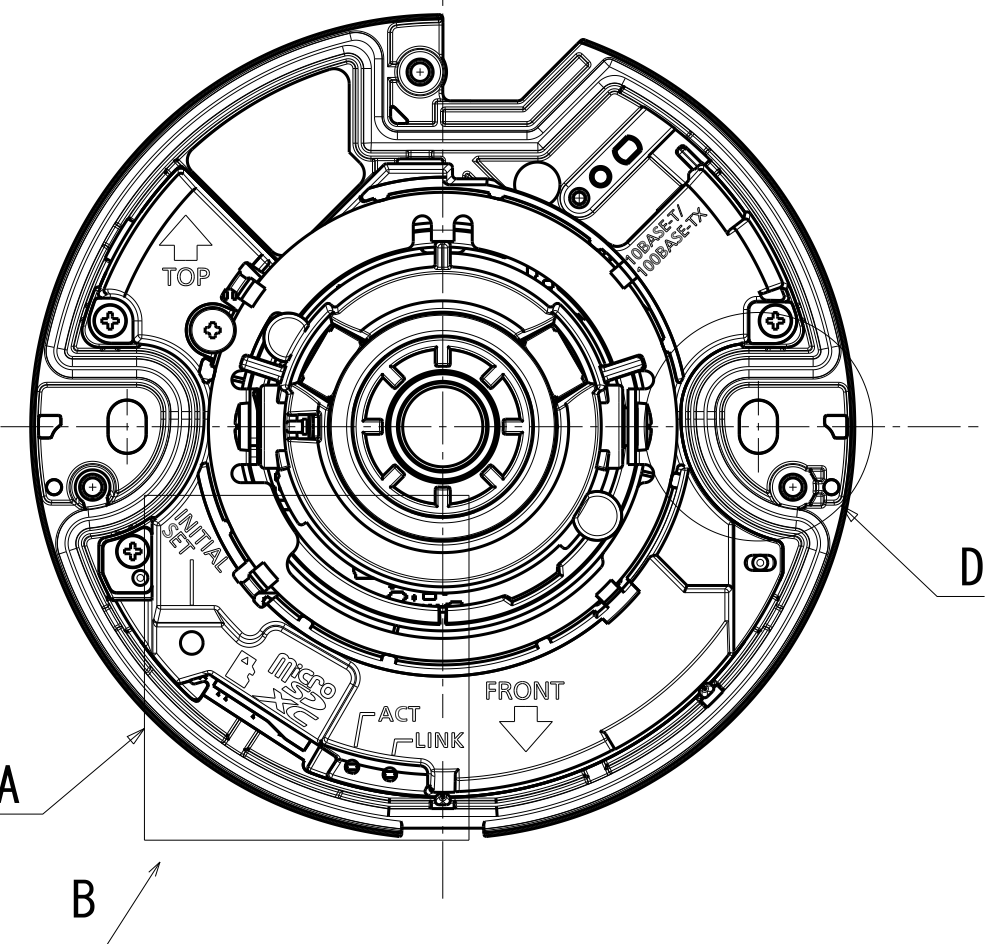
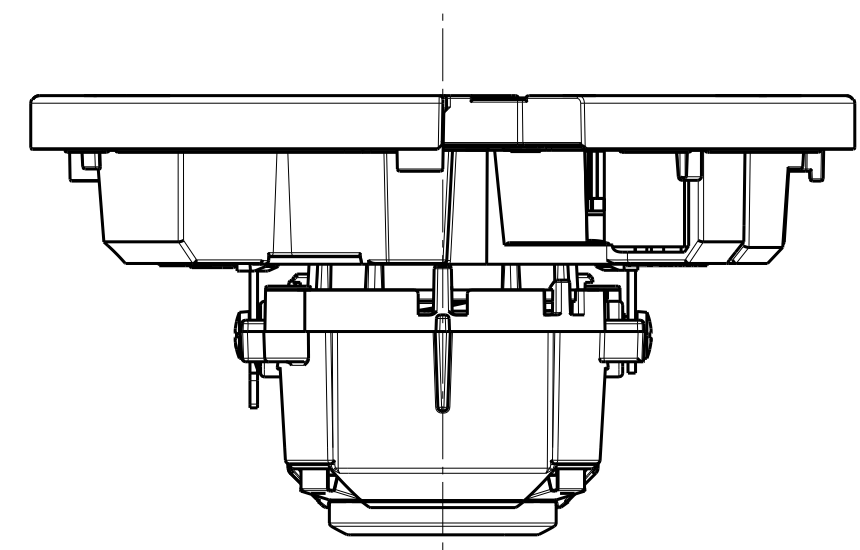
Detail A (2:1)



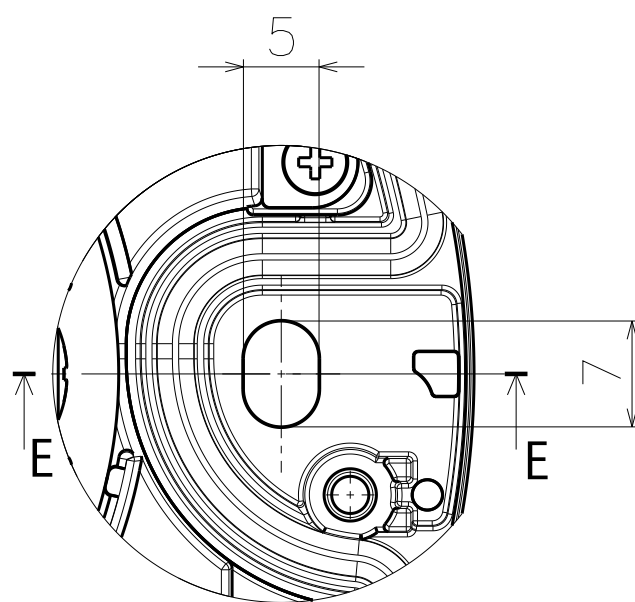
Detail C (2:1)



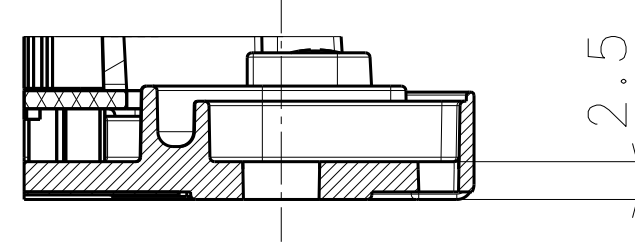
View B



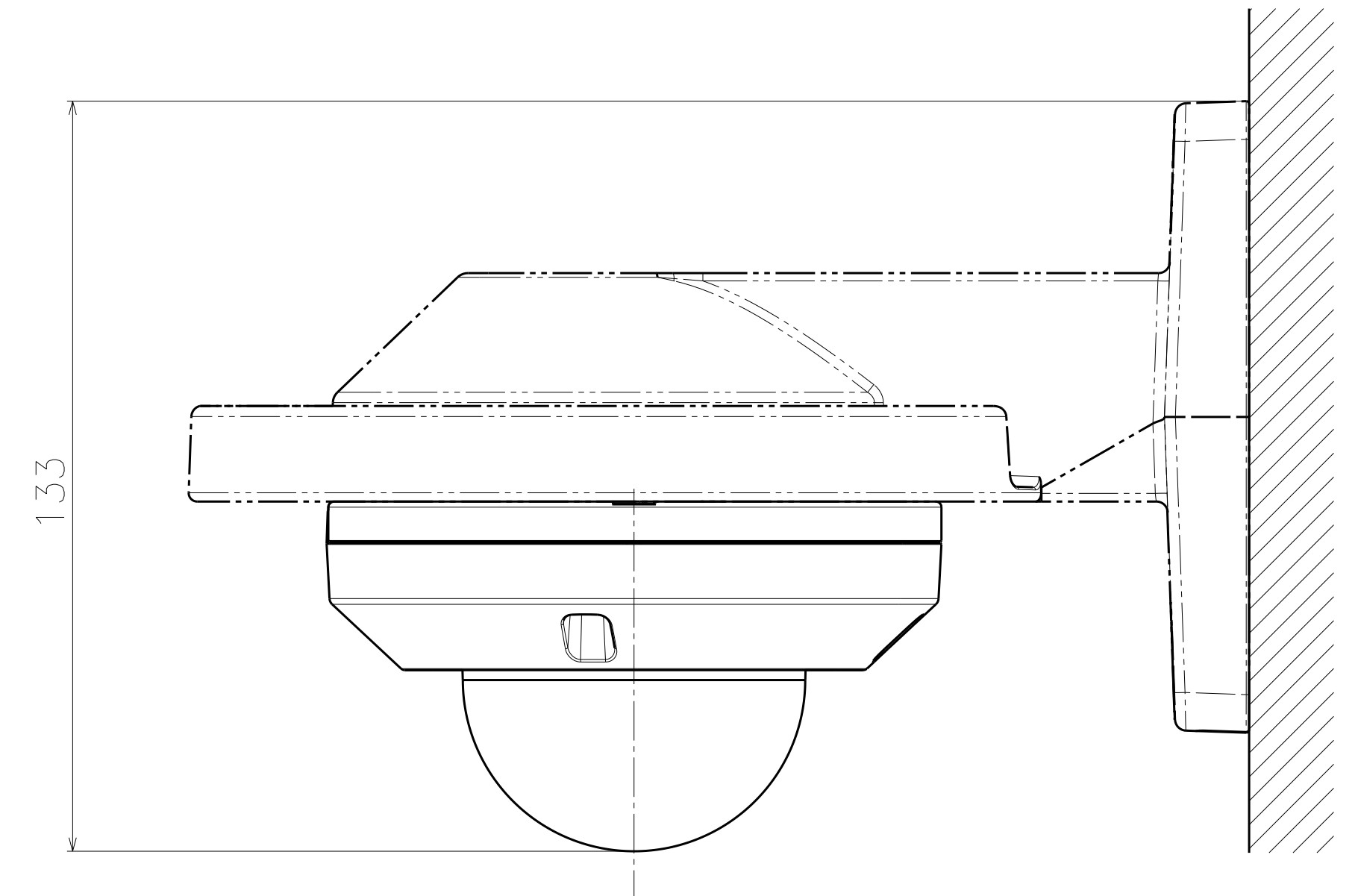
Without Enclosure



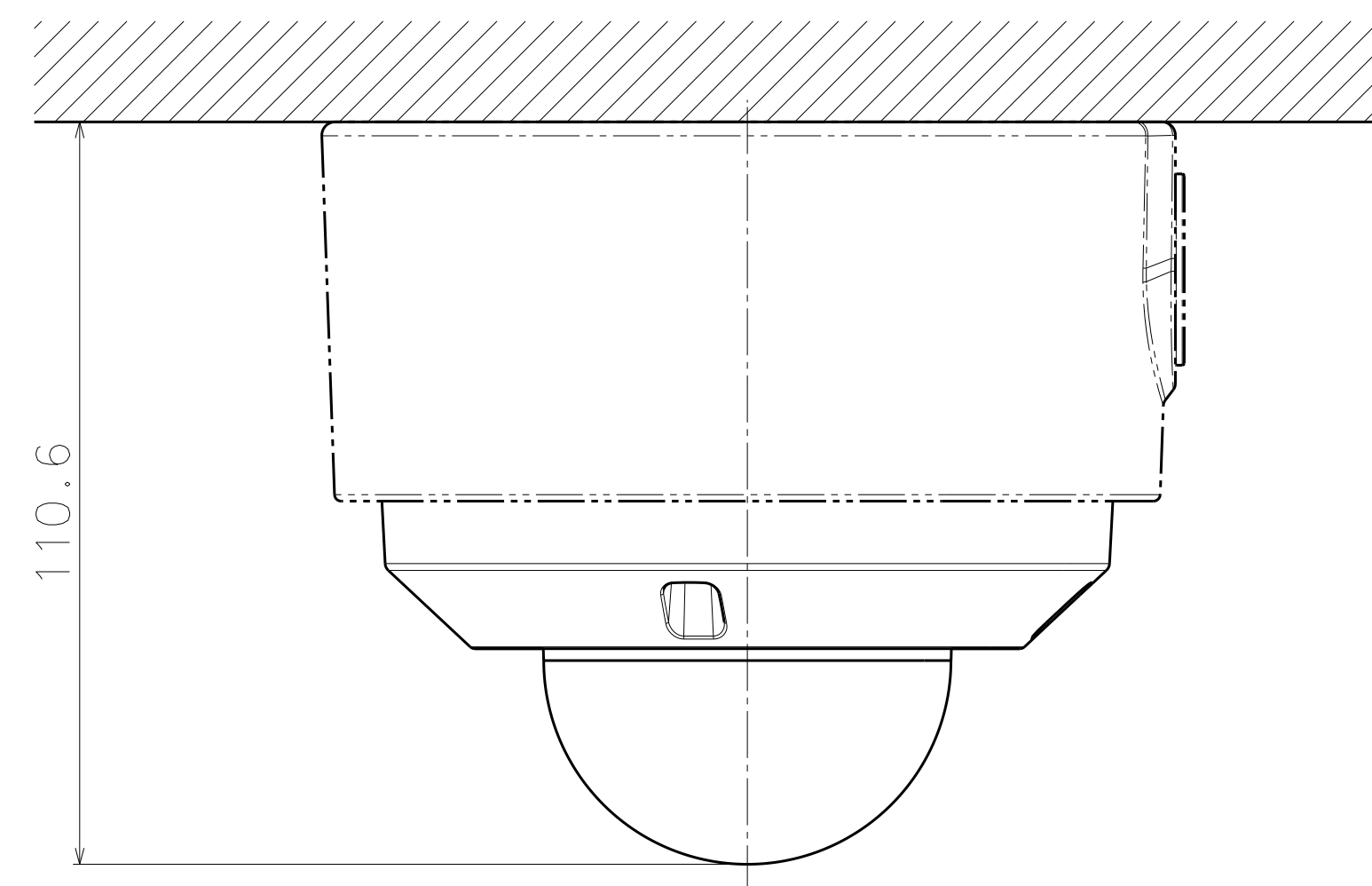
Detail D (2:1)
Symmetrical



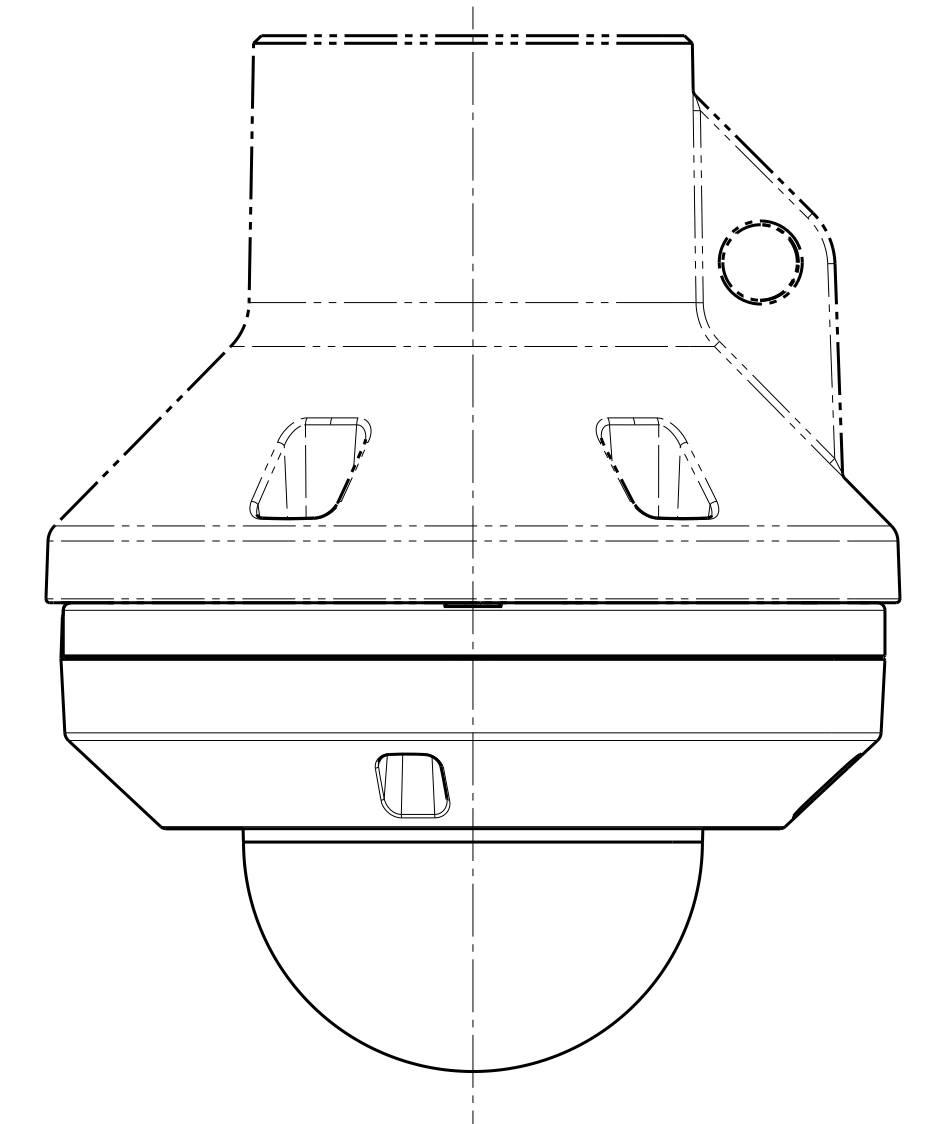
Sec E-E (2:1)
Symmetrical



Attach to WV-QWL500-W



Attach to WV-QJB502-W



Attach to WV-QCL100-W

| |
|--------------|
| Model number |
| WV-U2130LA |
| WV-U2130LAV |