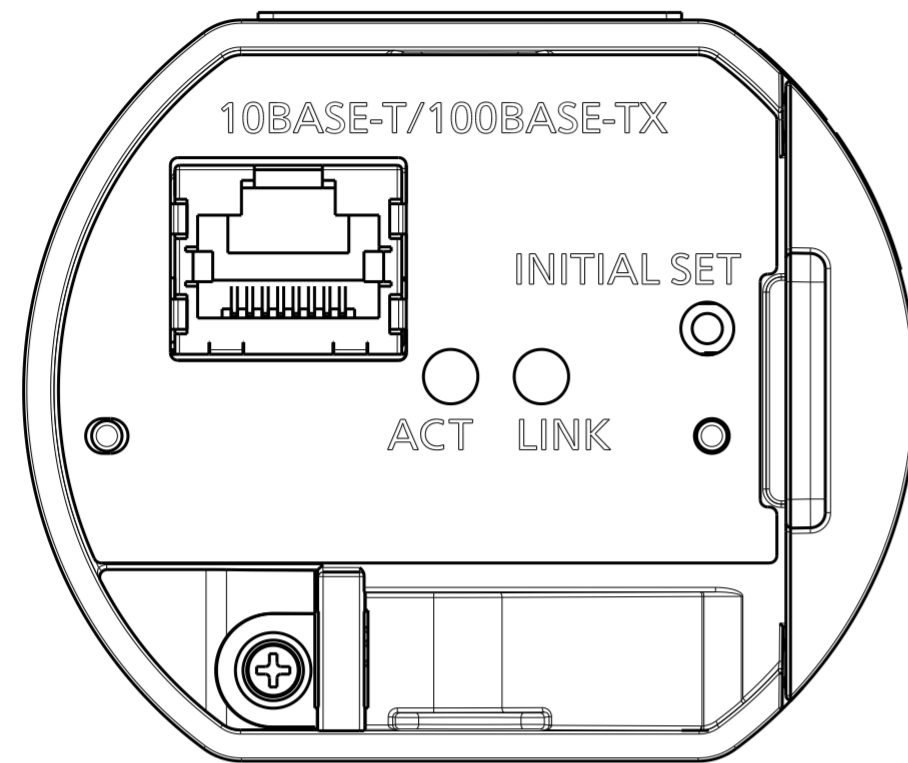
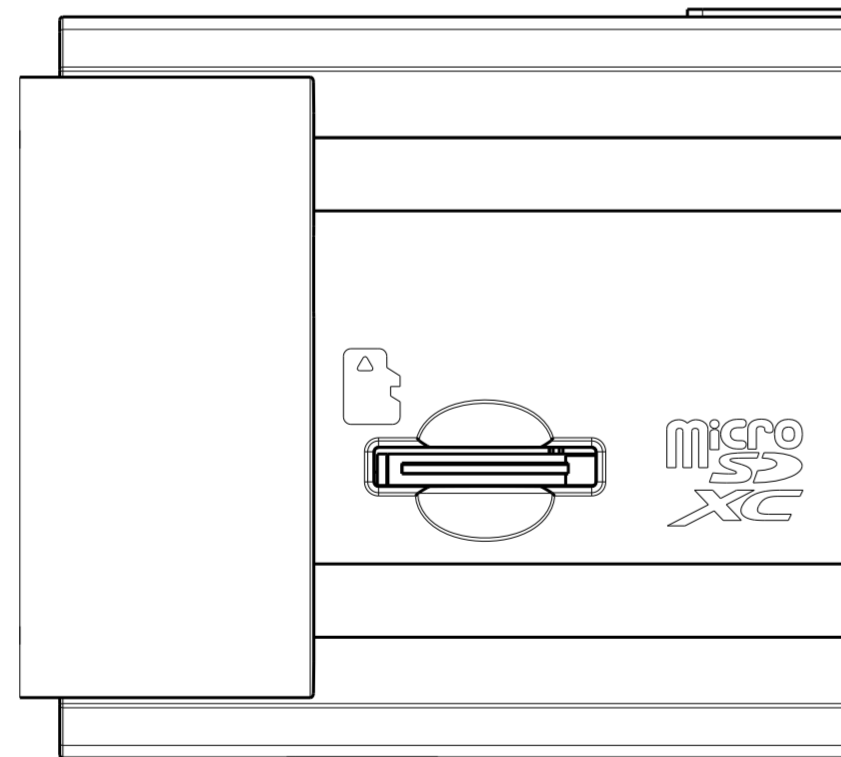


Model number
WV-U1130A
WV-U1130AV

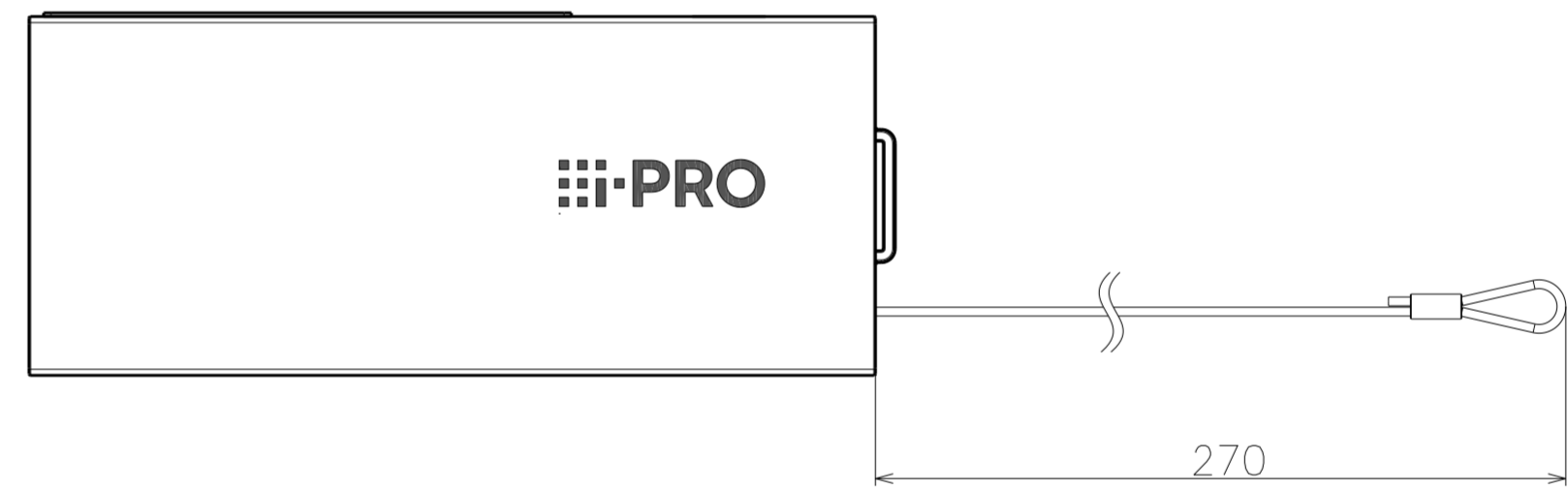
Mass : Approx. 150 g {0.33 lbs}



S=2:1



S=2:1



S=1:1

Model number
WV-U1130A
WV-U1130AV