

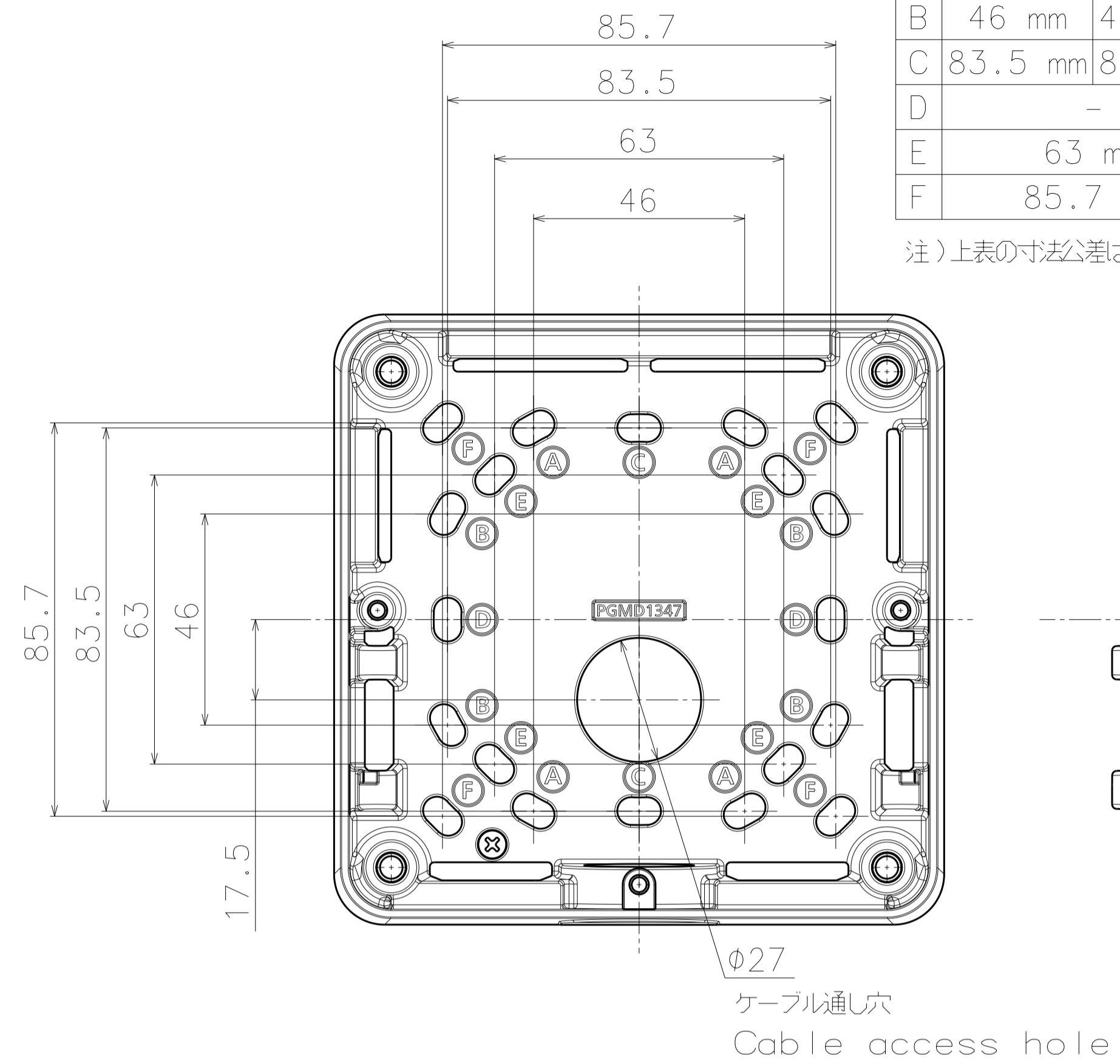
Model number  
 WV-S1536LN  
 WV-S1536LNV  
 WV-S1536LDN

	投影面積/Projected area
平面図/Top-view	0.033 (m <sup>2</sup> )
側面図/Side-view	0.030 (m <sup>2</sup> )

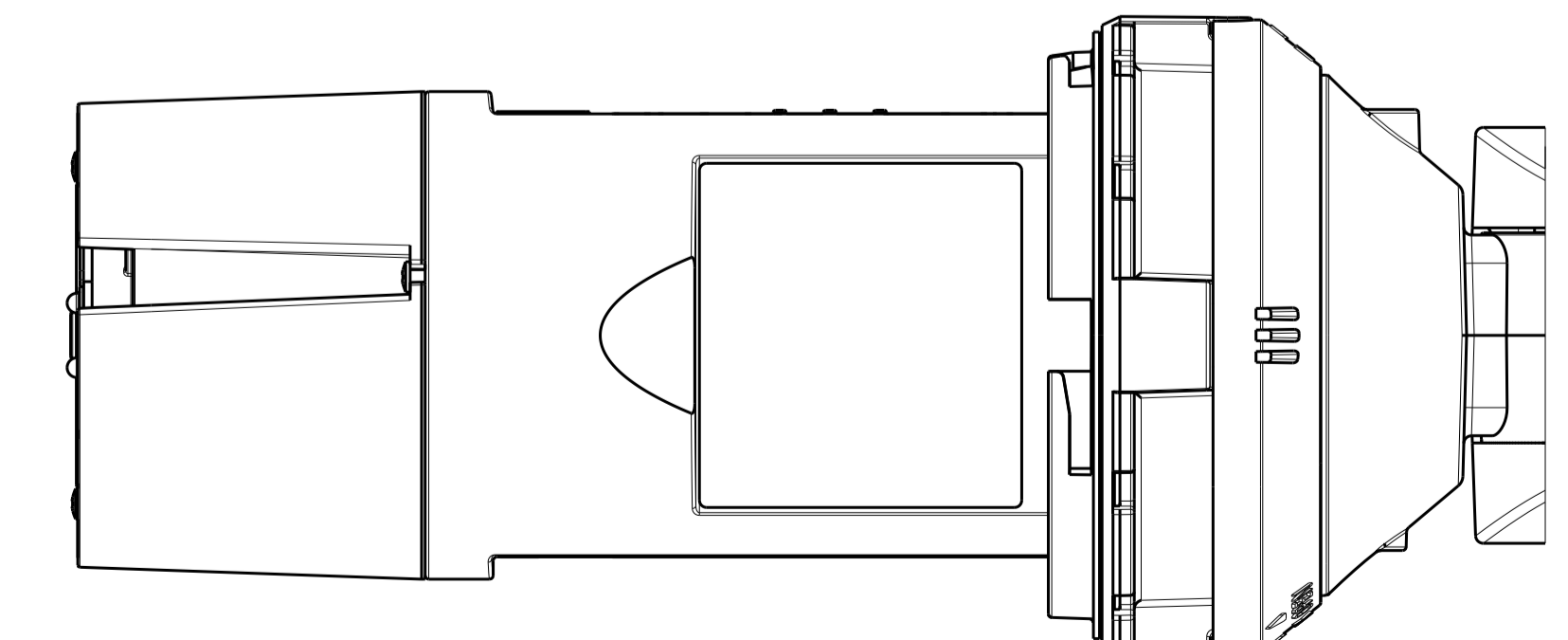
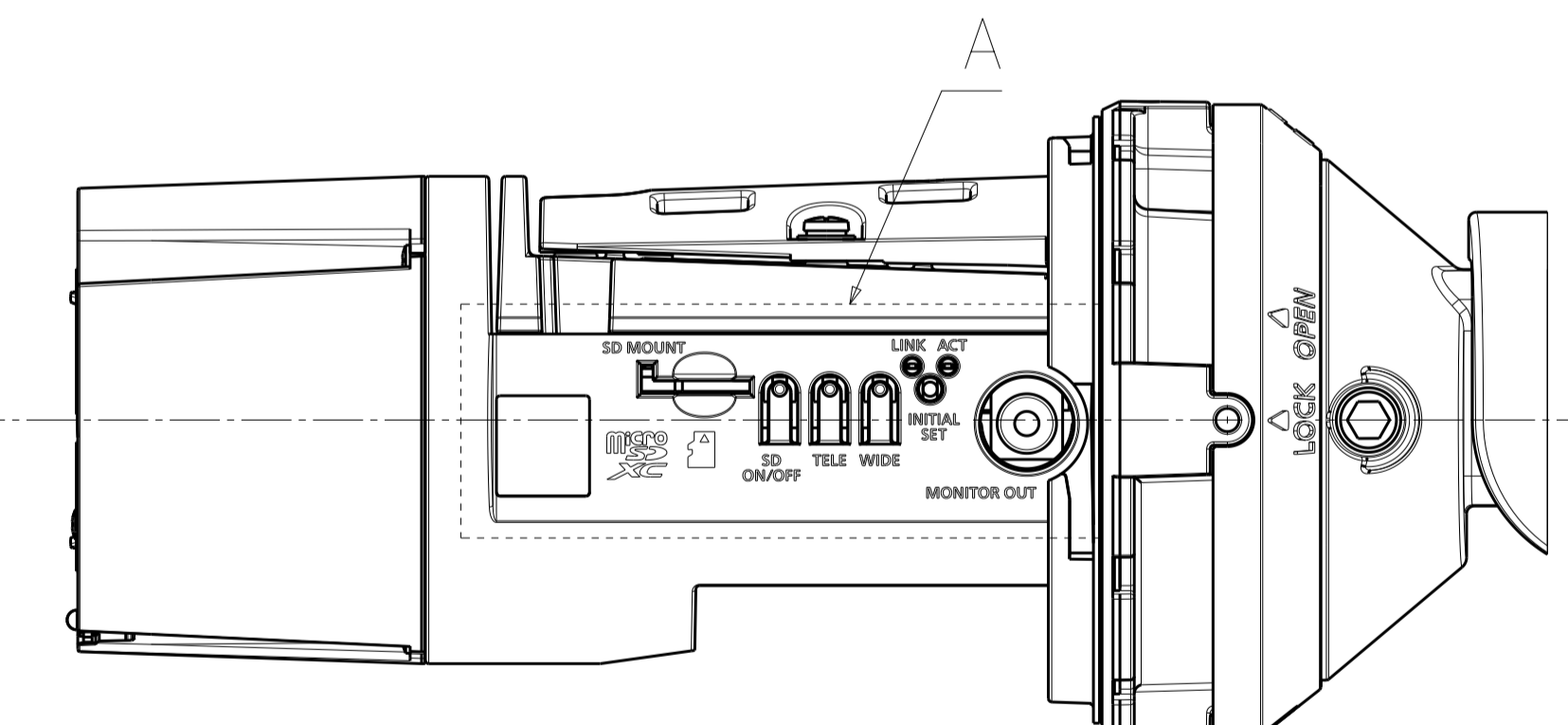
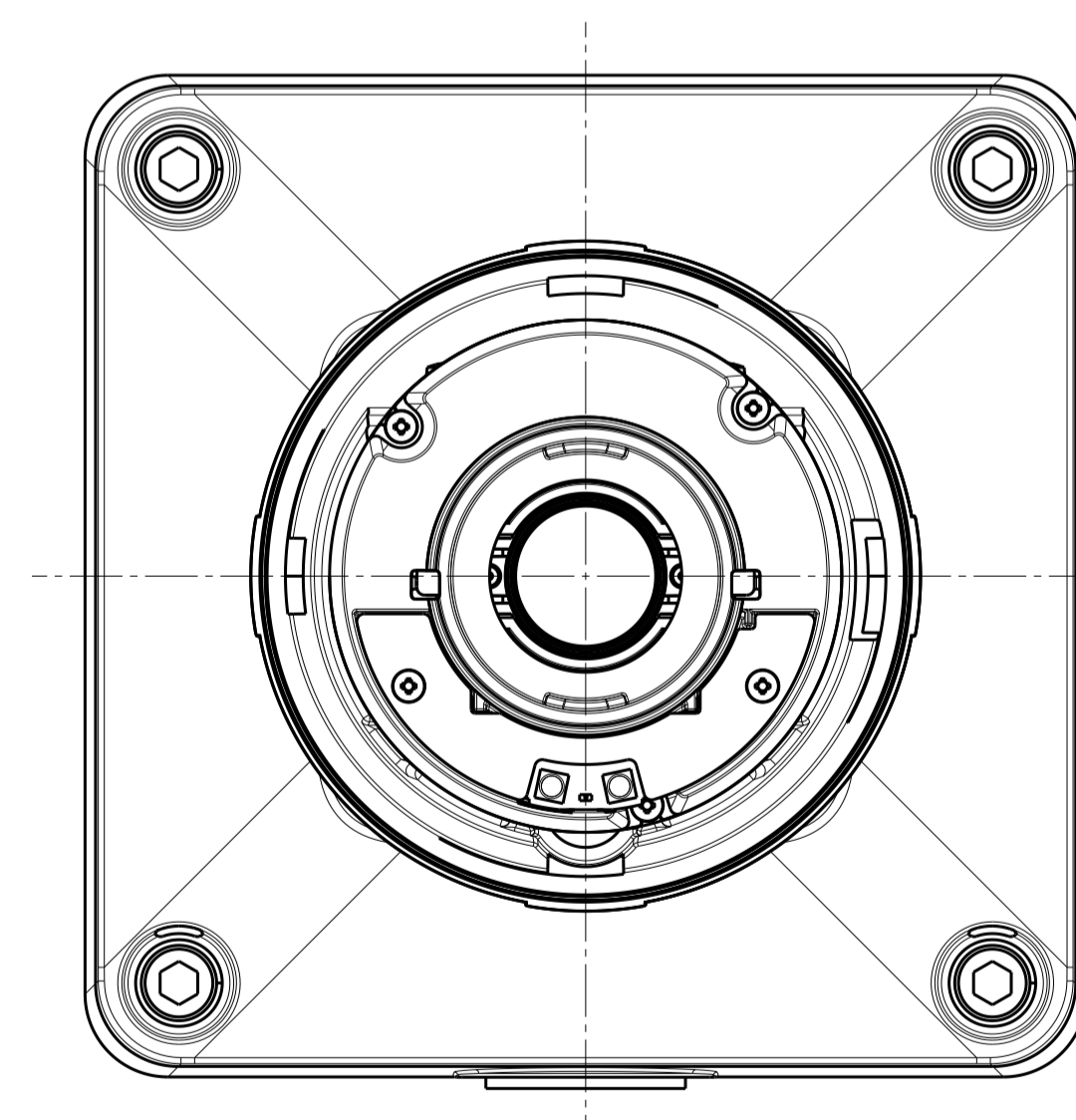
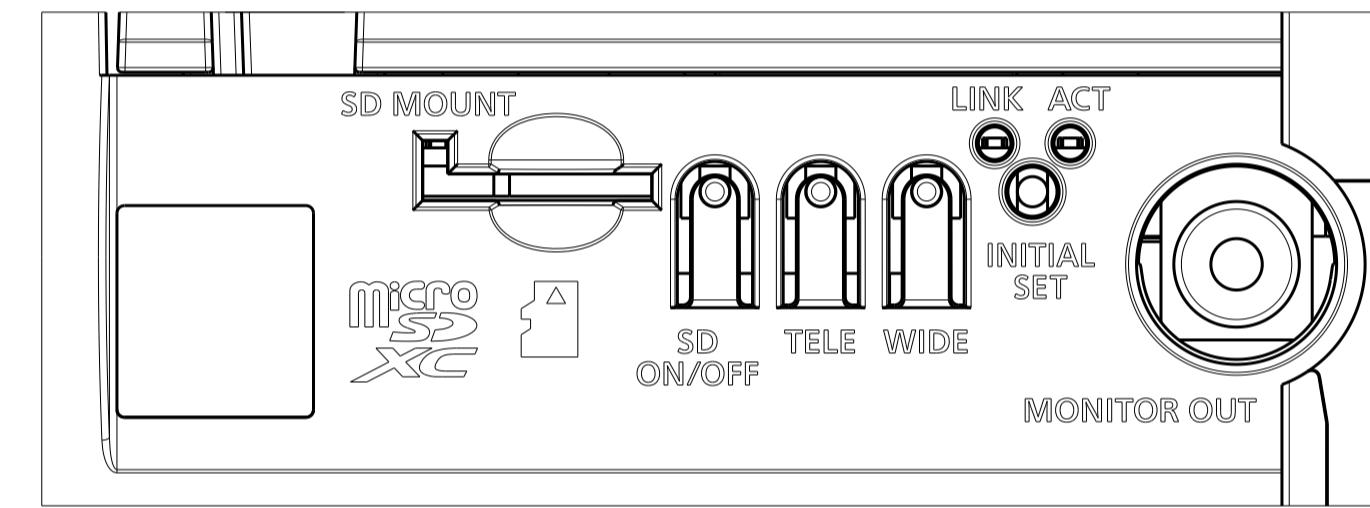
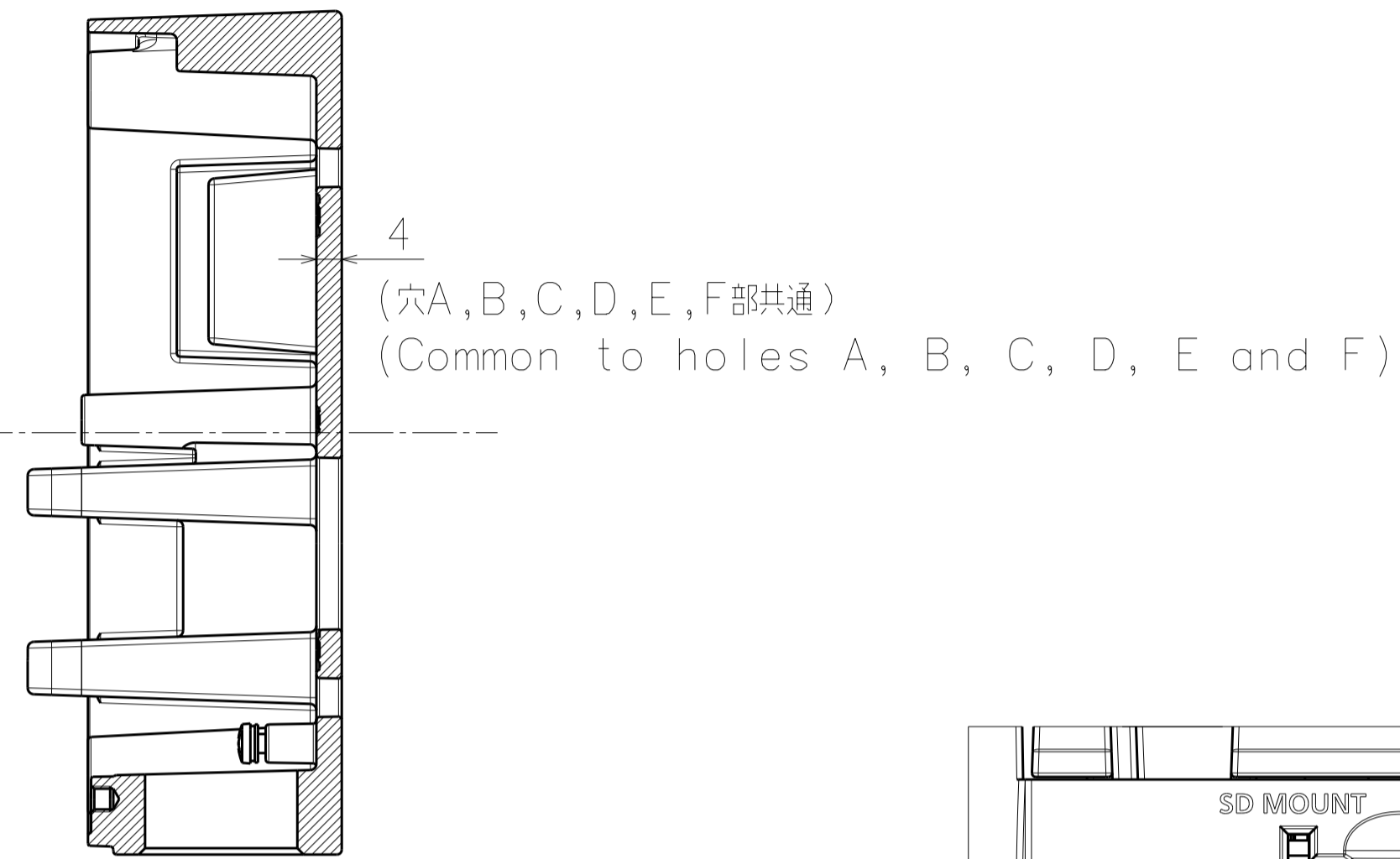
Mass : Approx. 2.4 kg {5.3 lbs}

	縦 / Vertical		横 / Horizontal		使用ねじ(個数) / Screw (pcs)
A	83.5 mm	82.5 mm	46 mm	47.6 mm	M4 (4個 / 4 pcs)
B	46 mm	47.6 mm	83.5 mm	82.5 mm	M4 (4個 / 4 pcs)
C	83.5 mm	83.3 mm	-		M4 (2個 / 2 pcs)
D	-		83.5 mm	83.3 mm	M4 (2個 / 2 pcs)
E	63 mm		63 mm		M4 (4個 / 4 pcs)
F	85.7 mm		85.7 mm		M4 (4個 / 4 pcs)

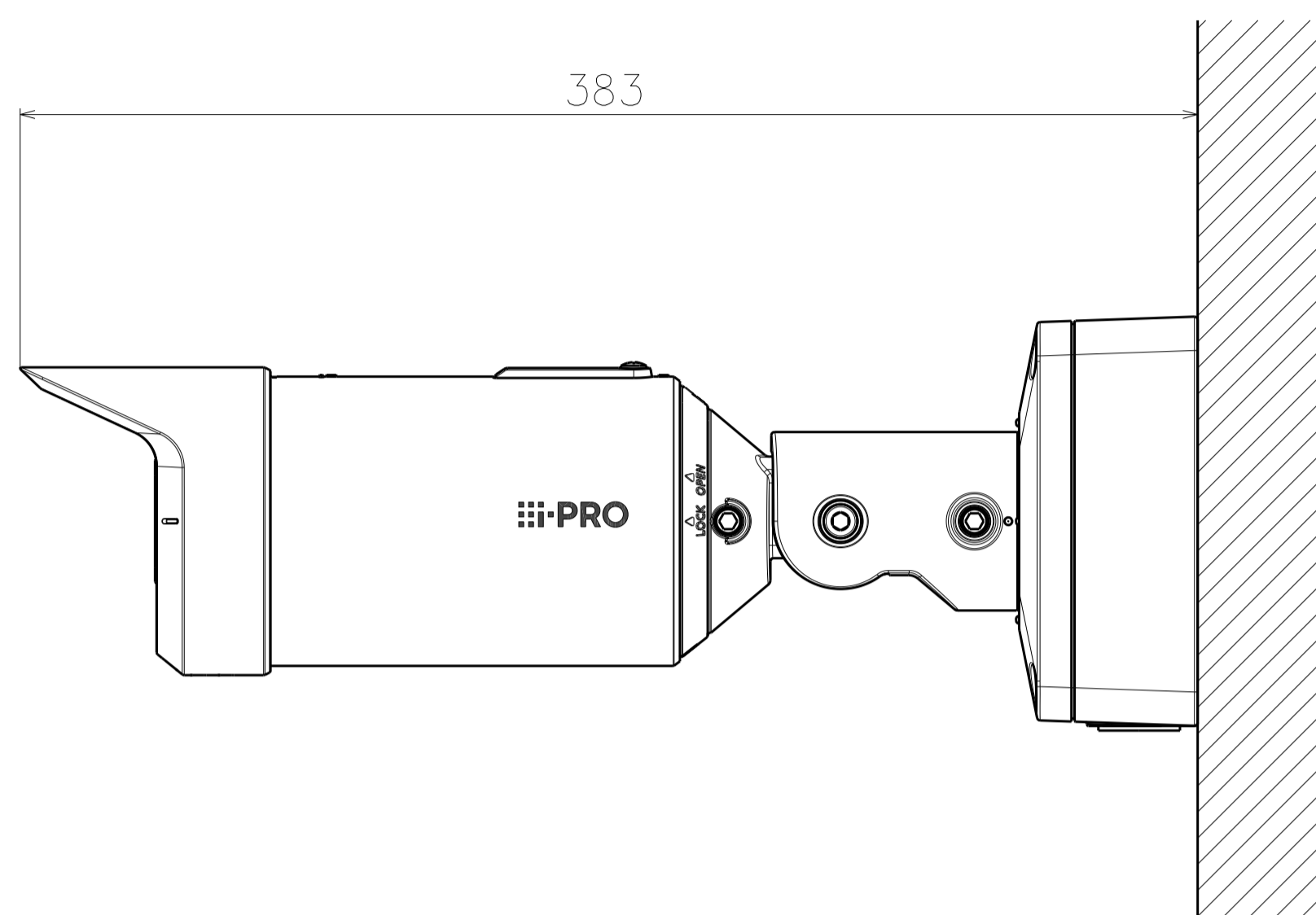
注) 上表の寸法公差は±0.2 mm / Tolerance ±0.2 mm



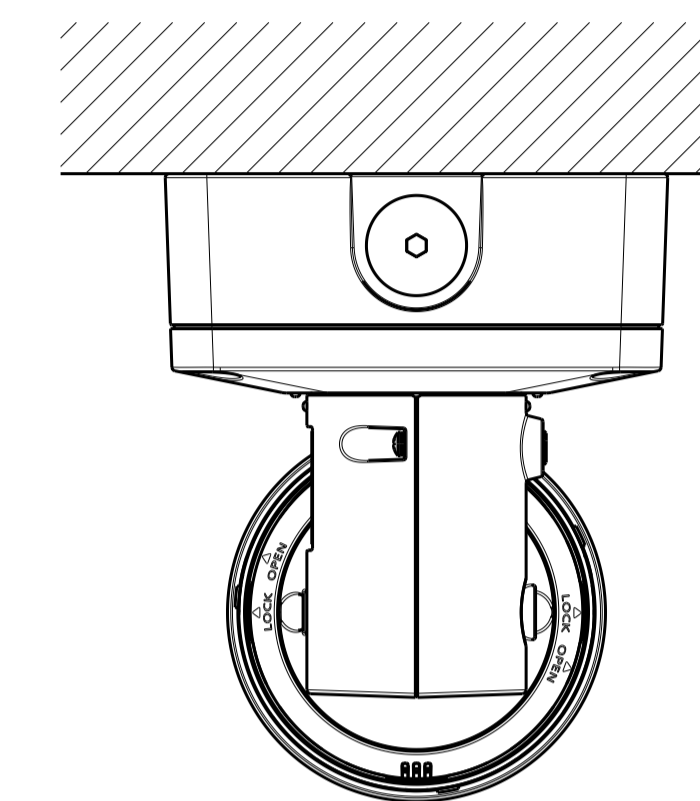
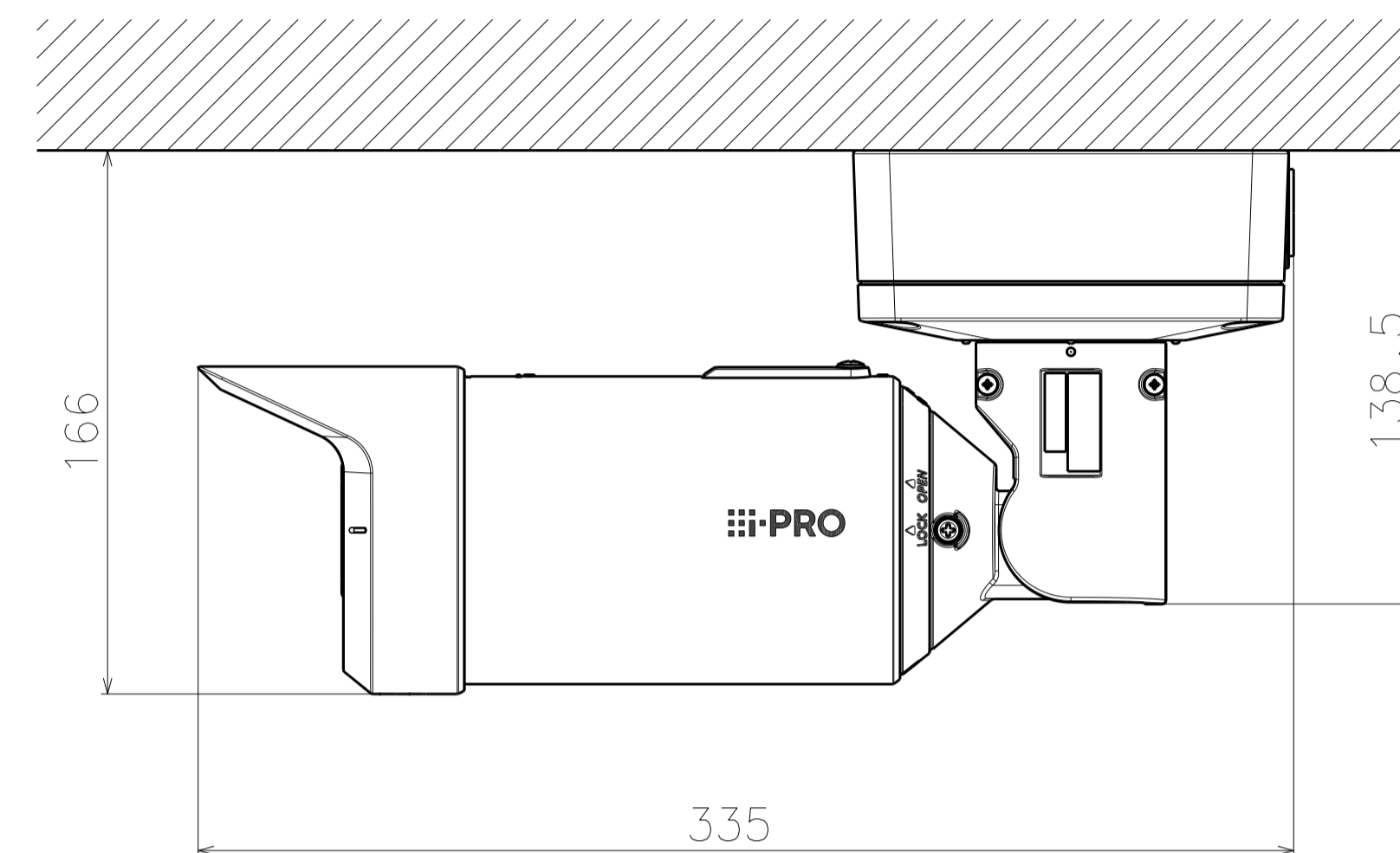
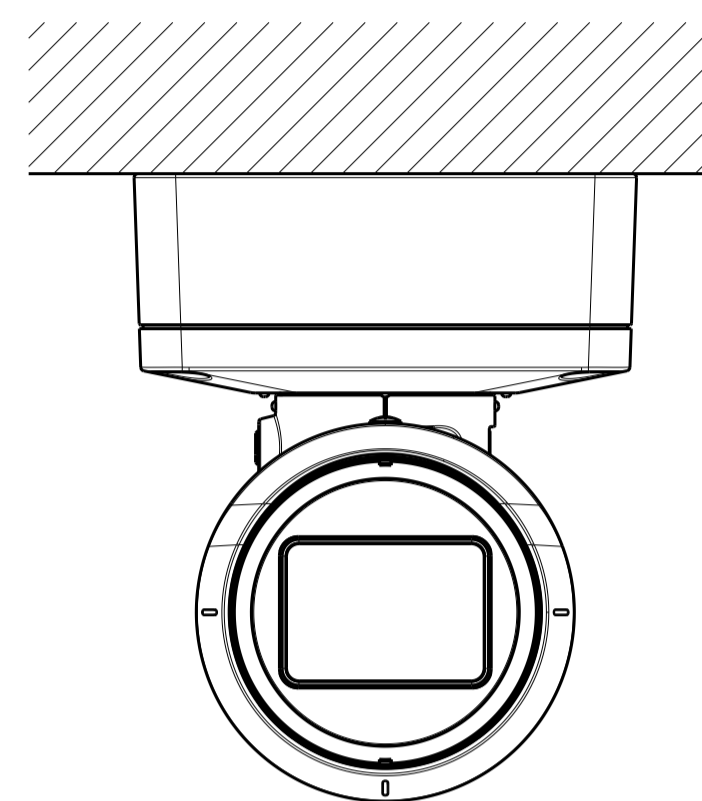
Mounting hole layout



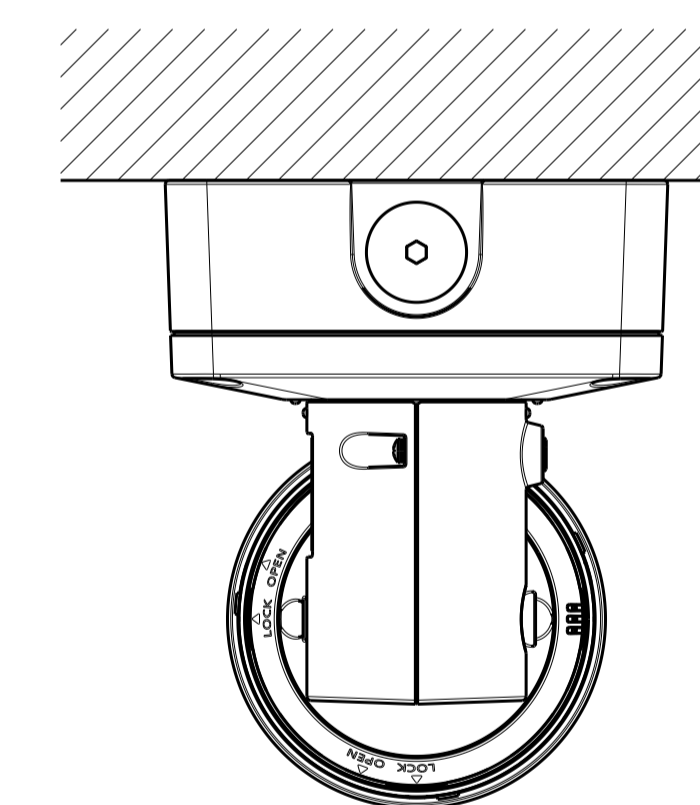
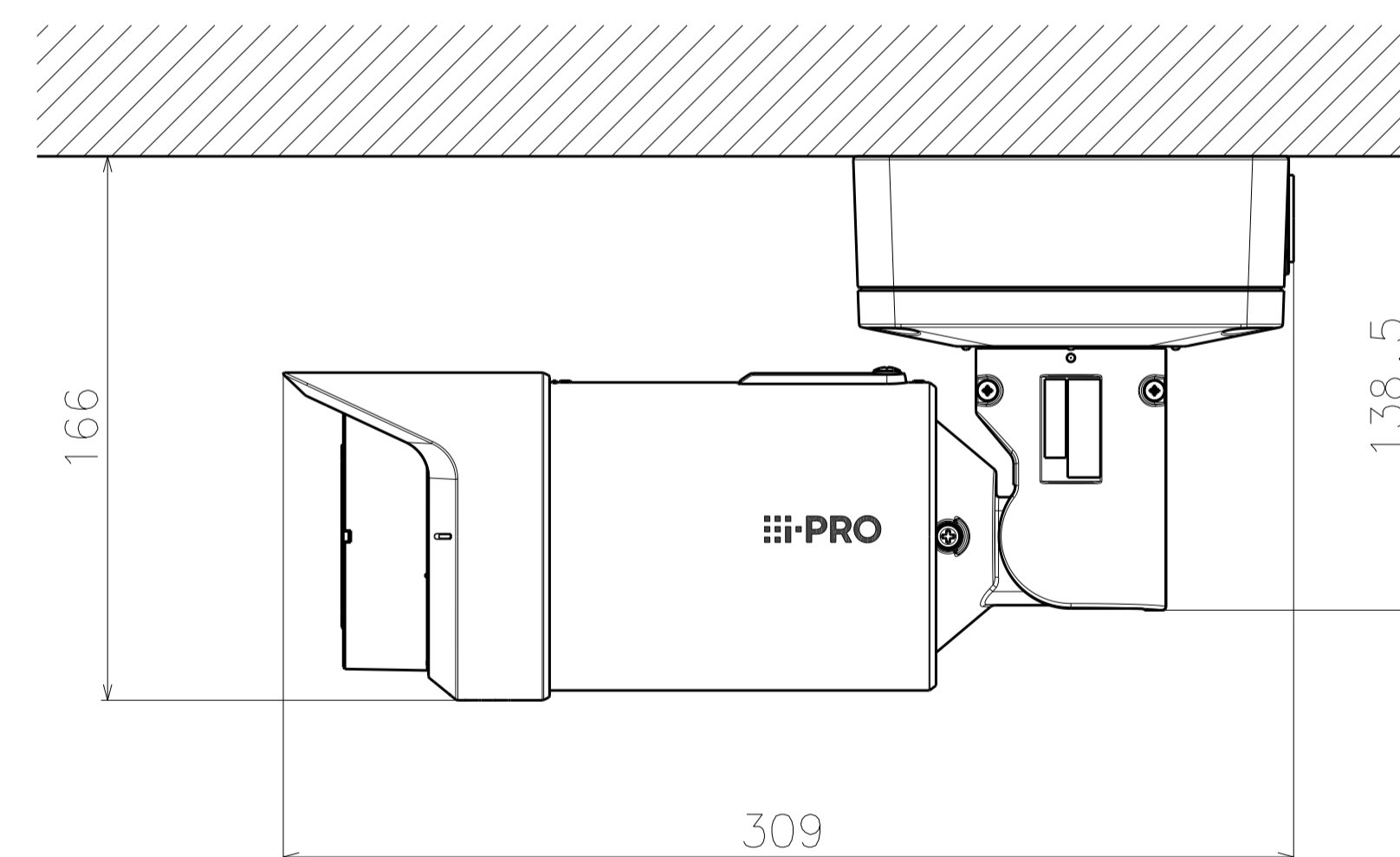
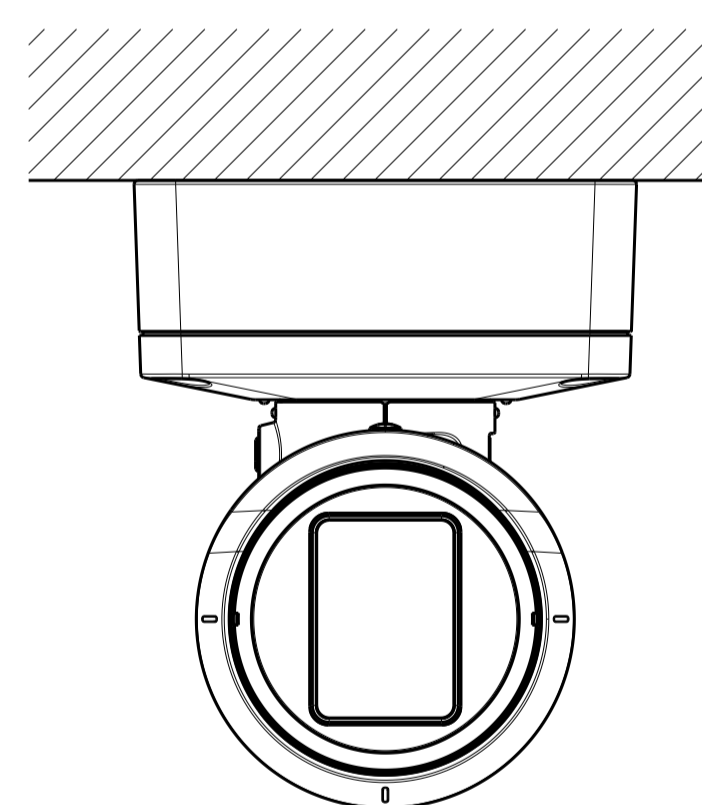
Model number  
 WV-S1536LN  
 WV-S1536LV  
 WV-S1536LDN



工事後の取付状態  
Mounted state after construction



工事後の取付状態  
Mounted state after construction



サンシェードを回転させた場合の設置状態  
Installation condition for rotating the sunshade

Model number
WV-S1536LN
WV-S1536LNV
WV-S1536LDN