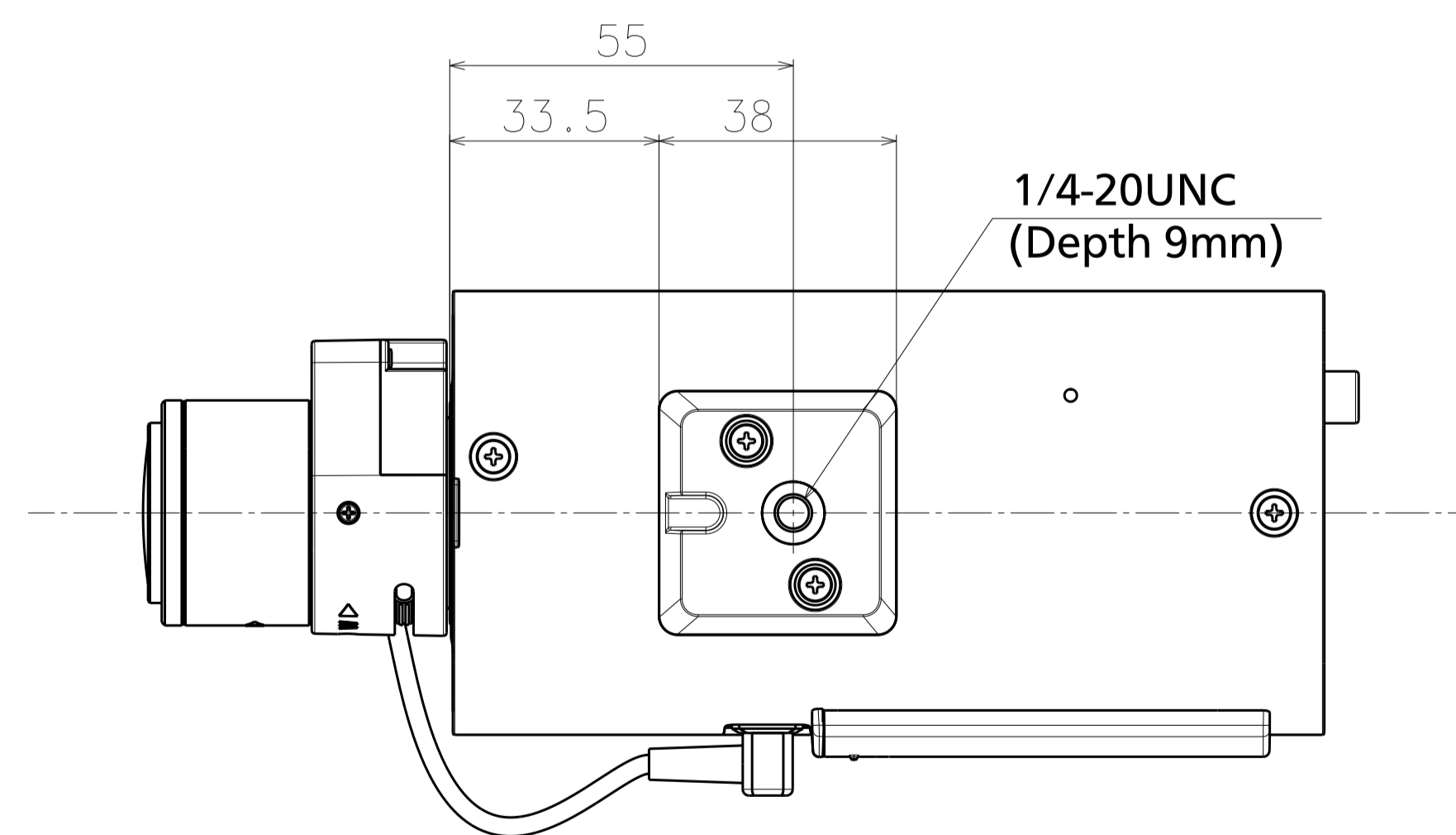
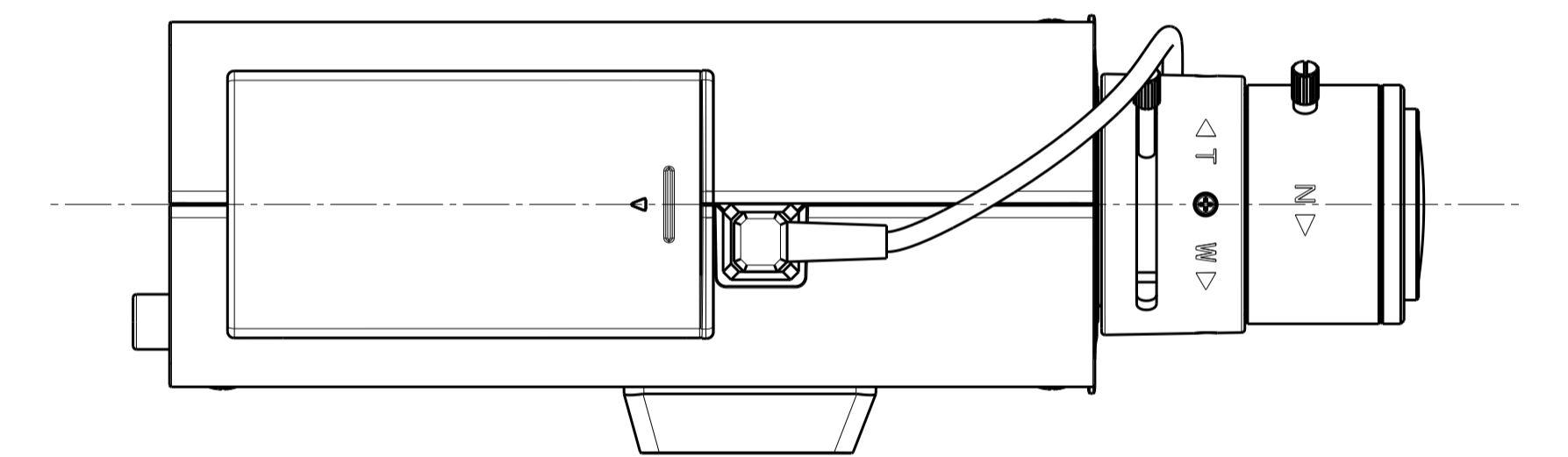
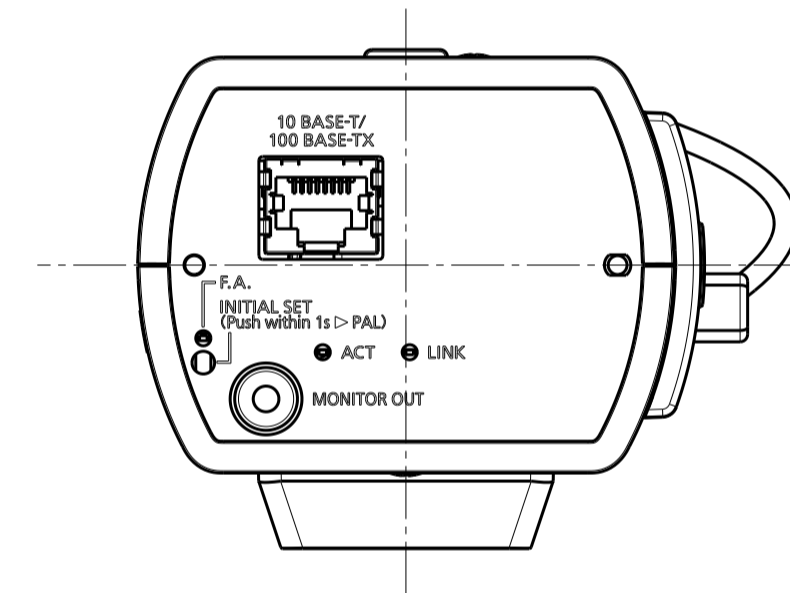
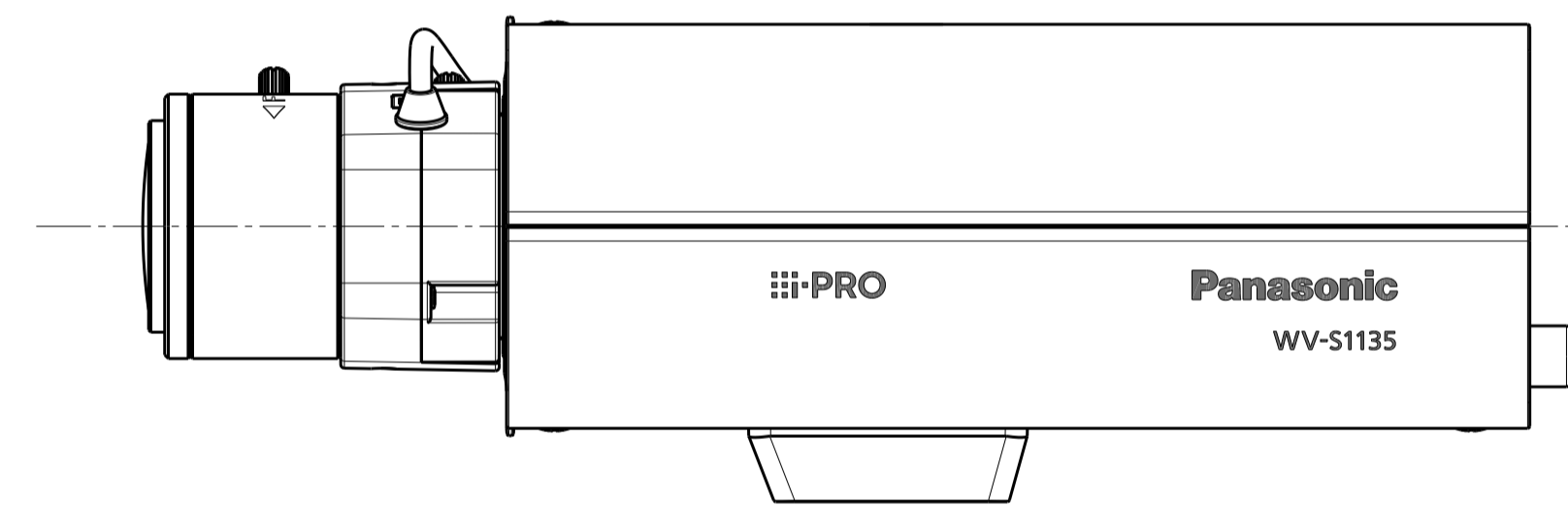
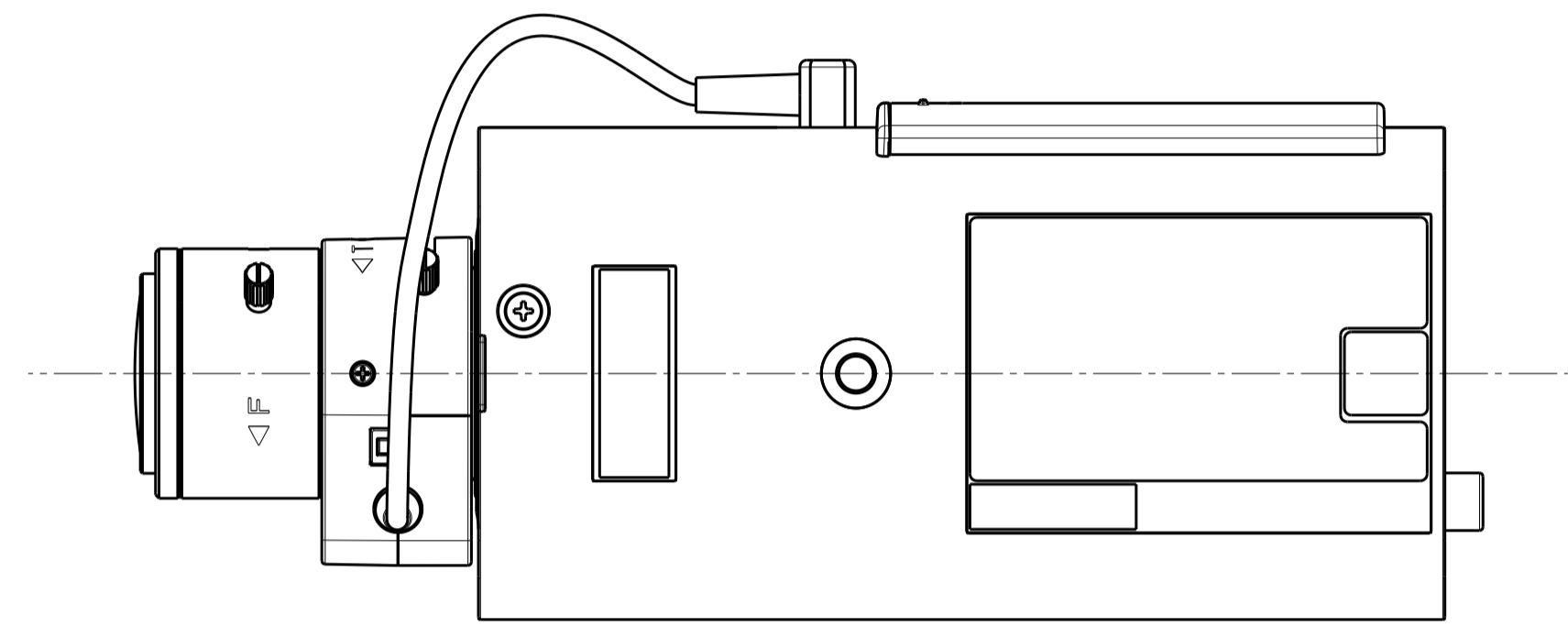
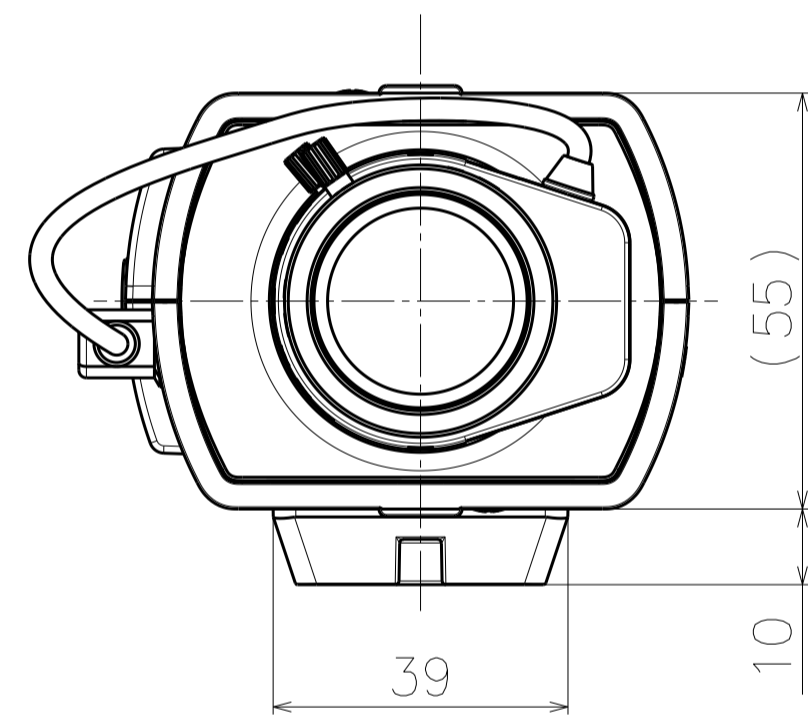
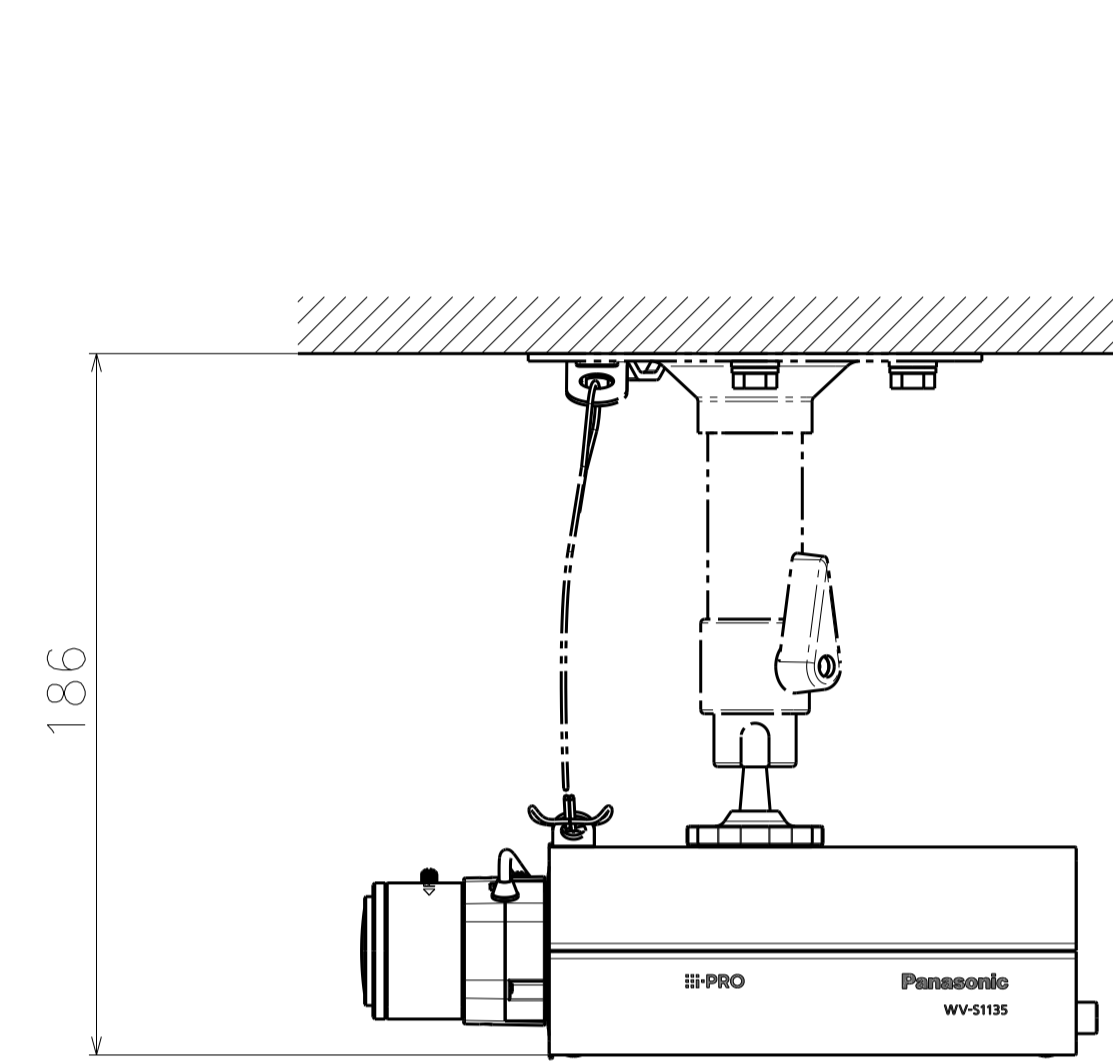
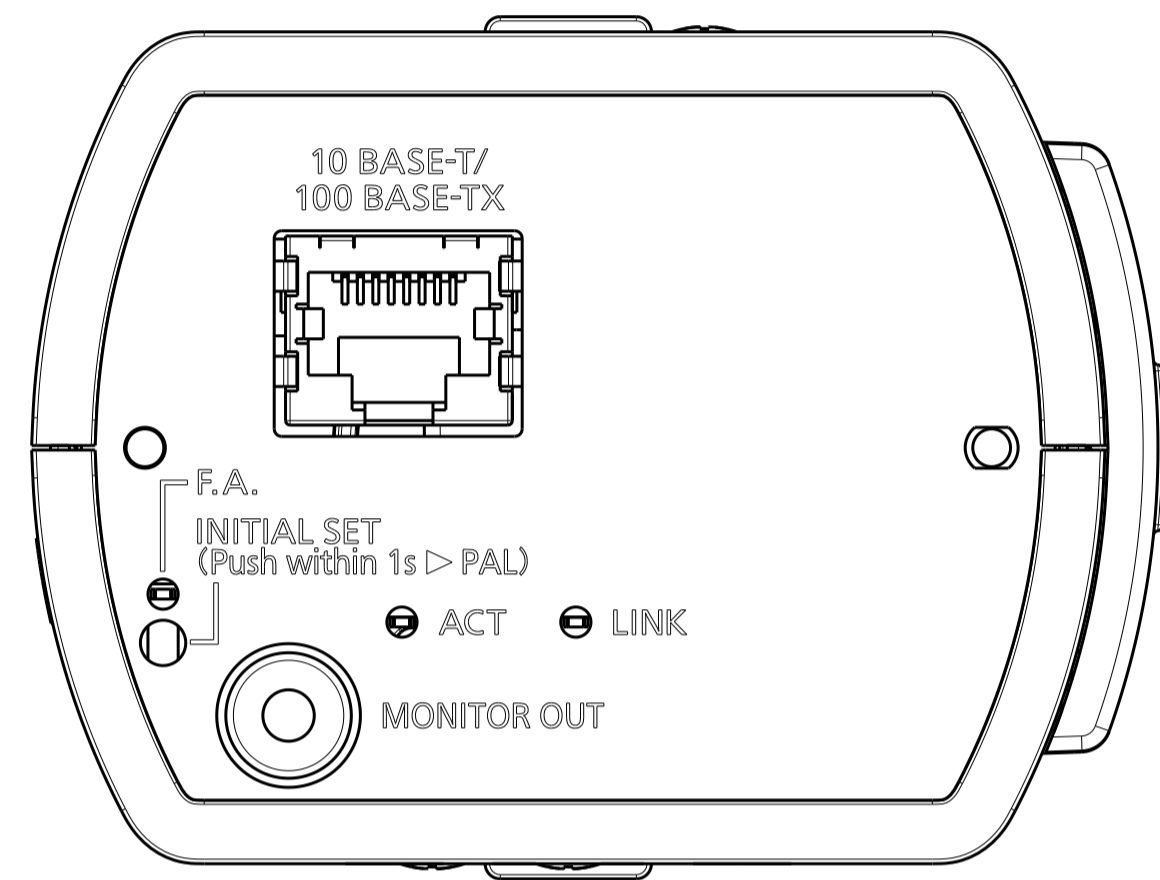


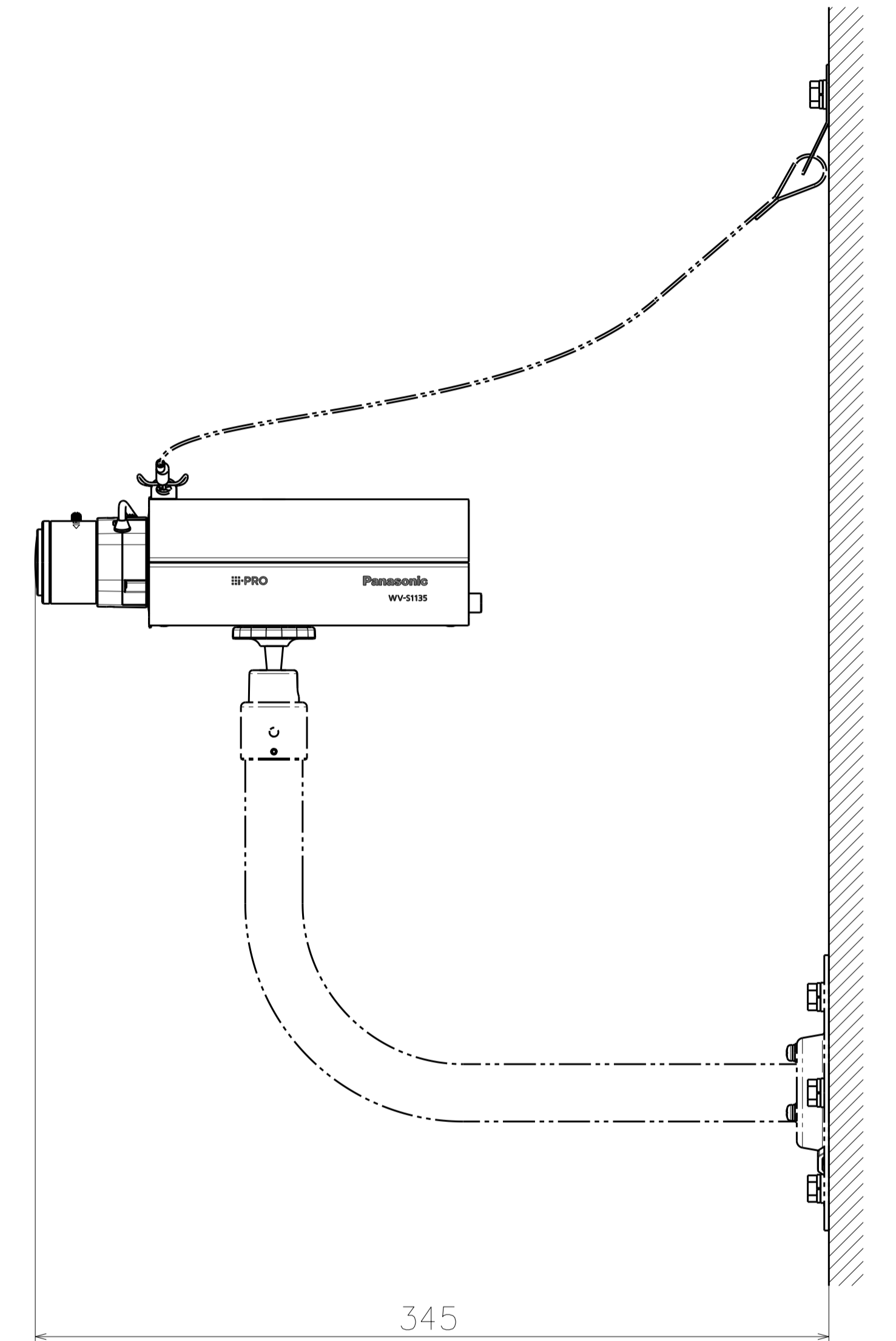
Weight : Approx. 400 g {0.88 lbs}

WV-S1135V





Attach to WV-Q180
(S=1:2)



Attach to WV-Q181
(S=1:2)

