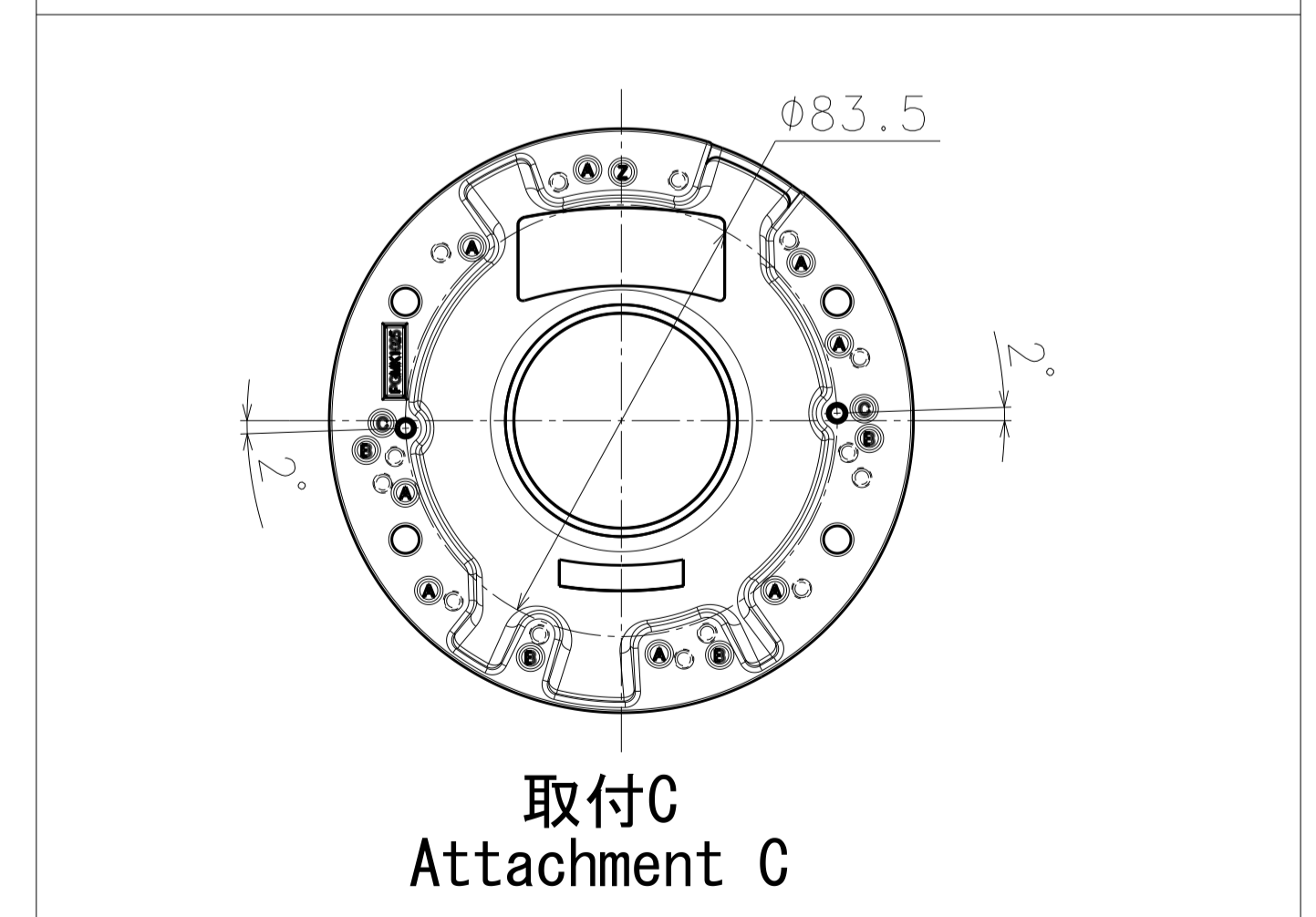
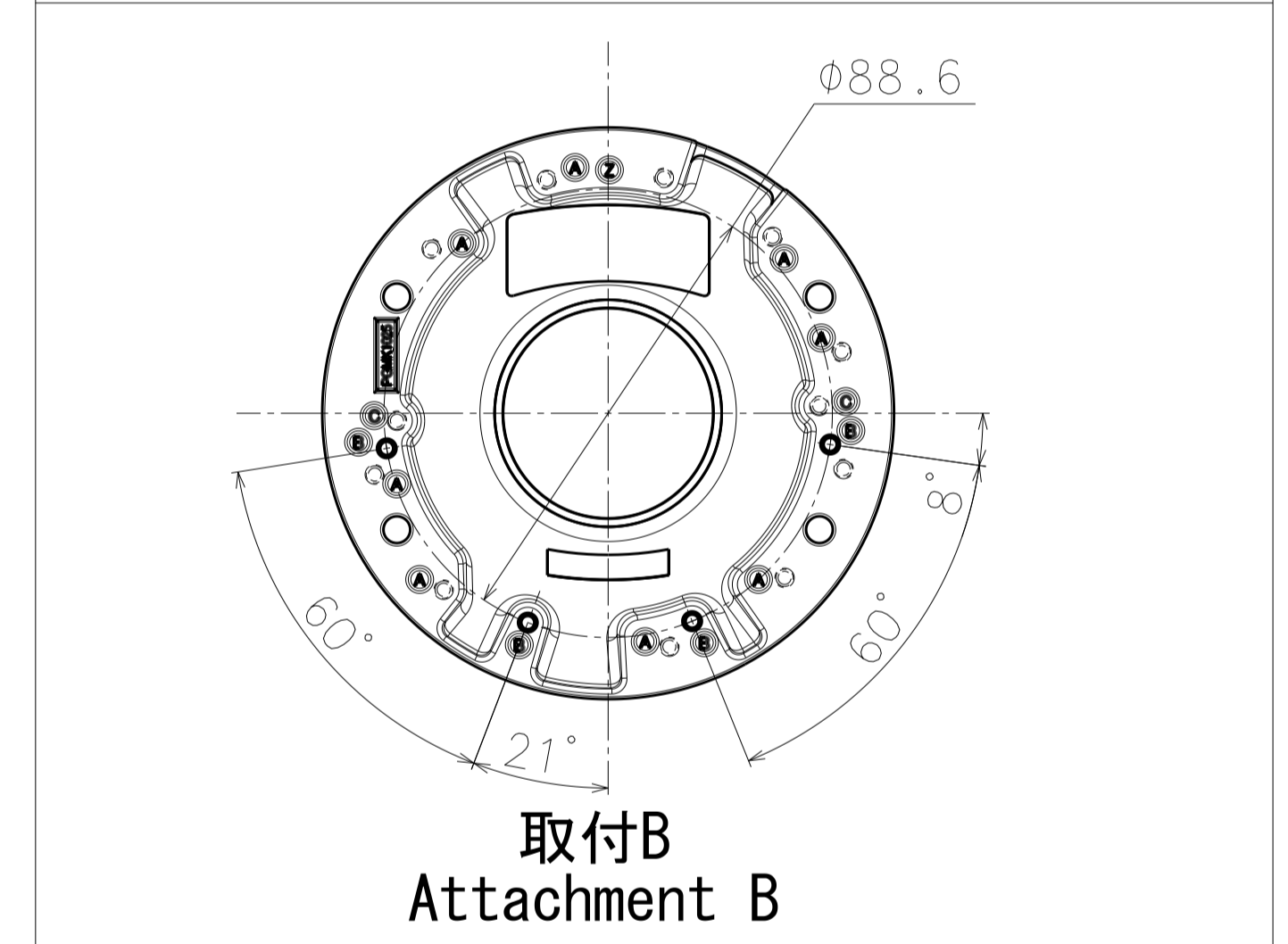
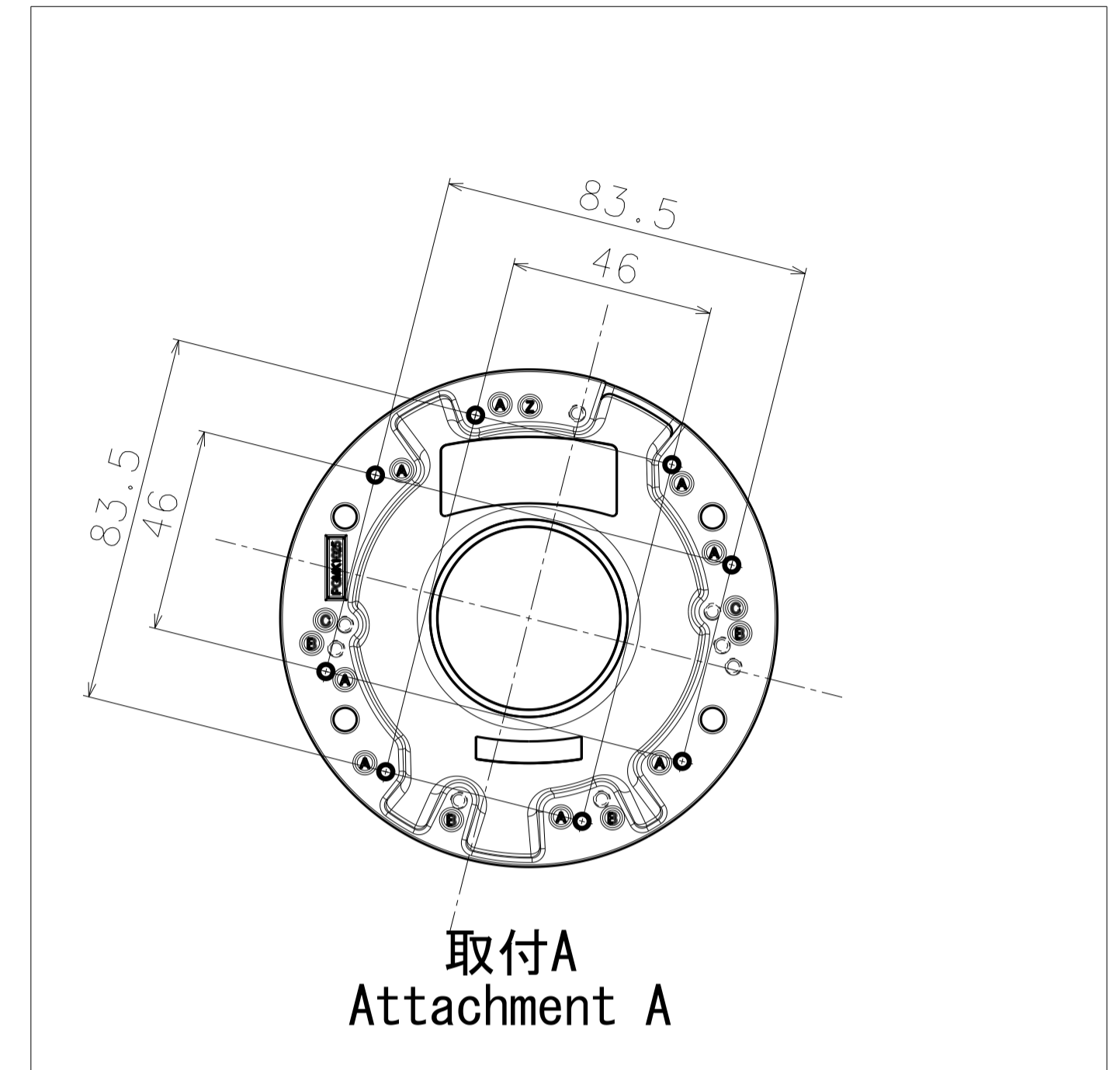
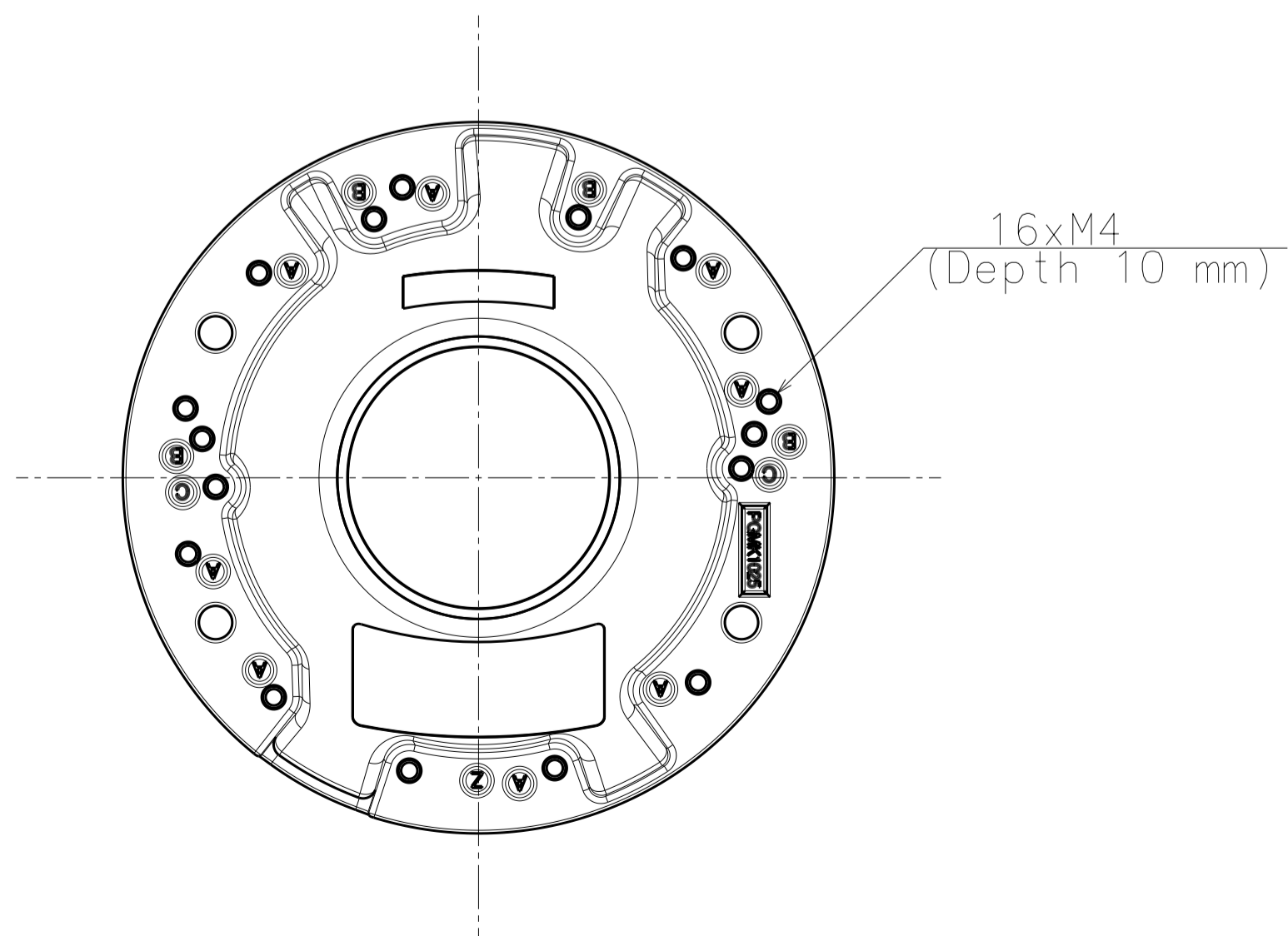
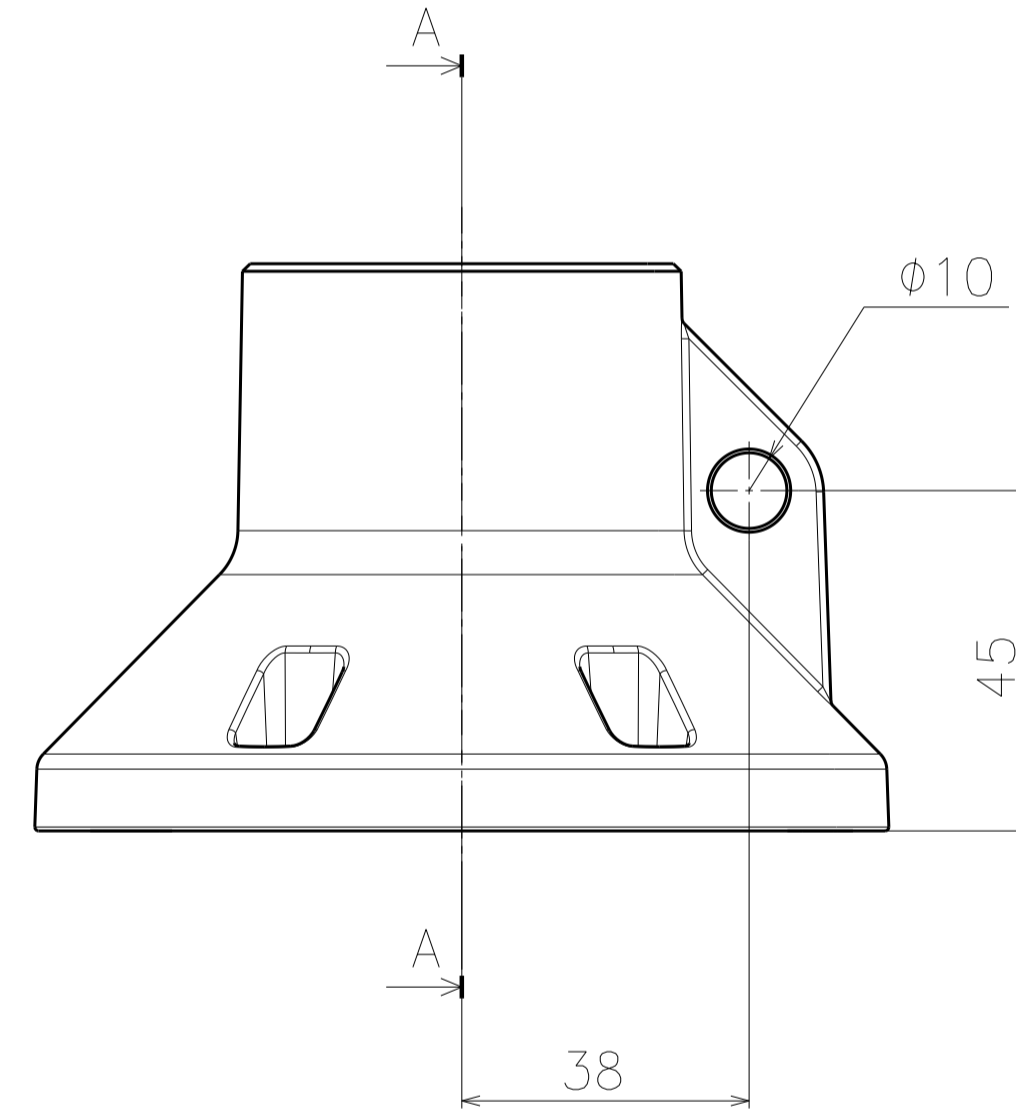
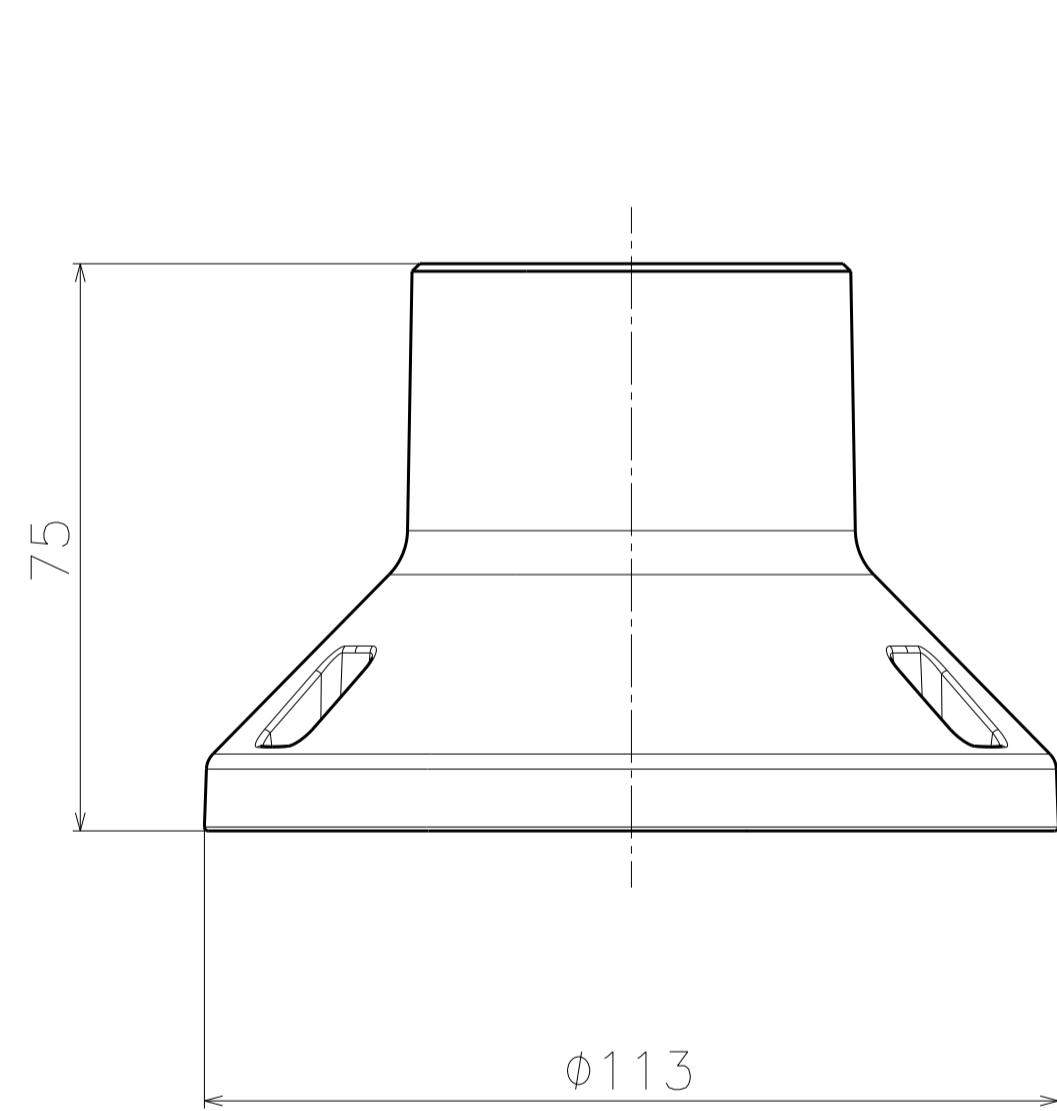
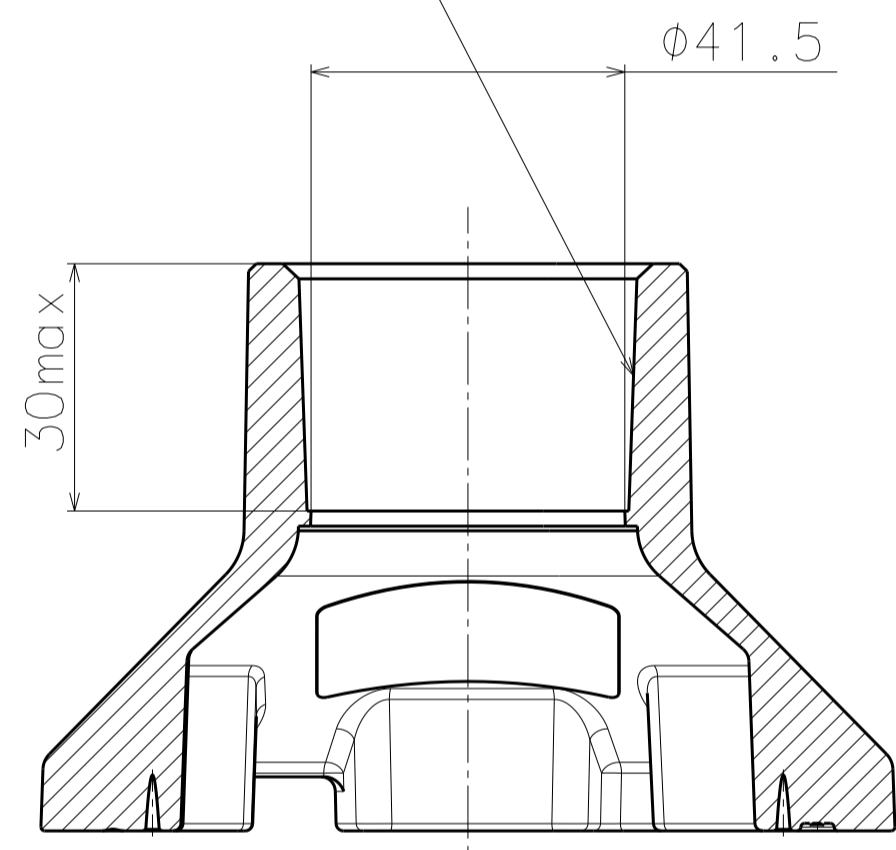


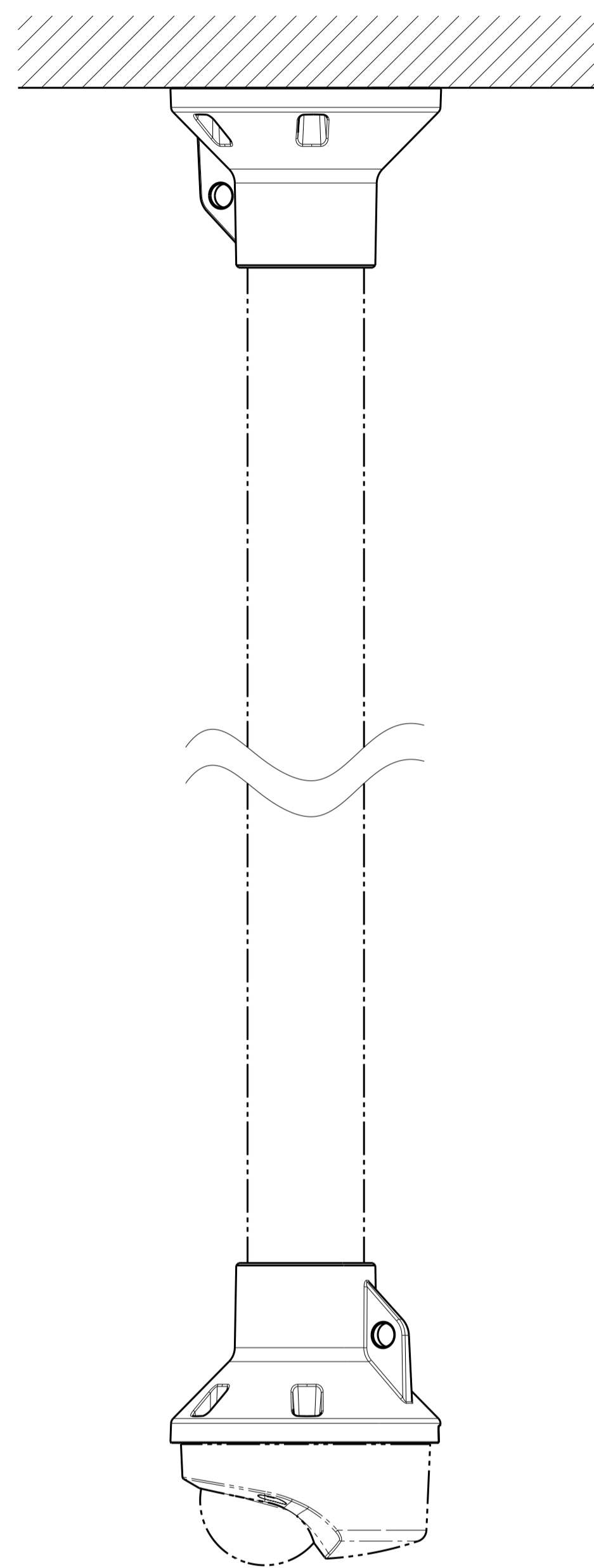
Rp 1-1/2, 11 crest,
deep 30 MAX
(Parallel pipe straight)



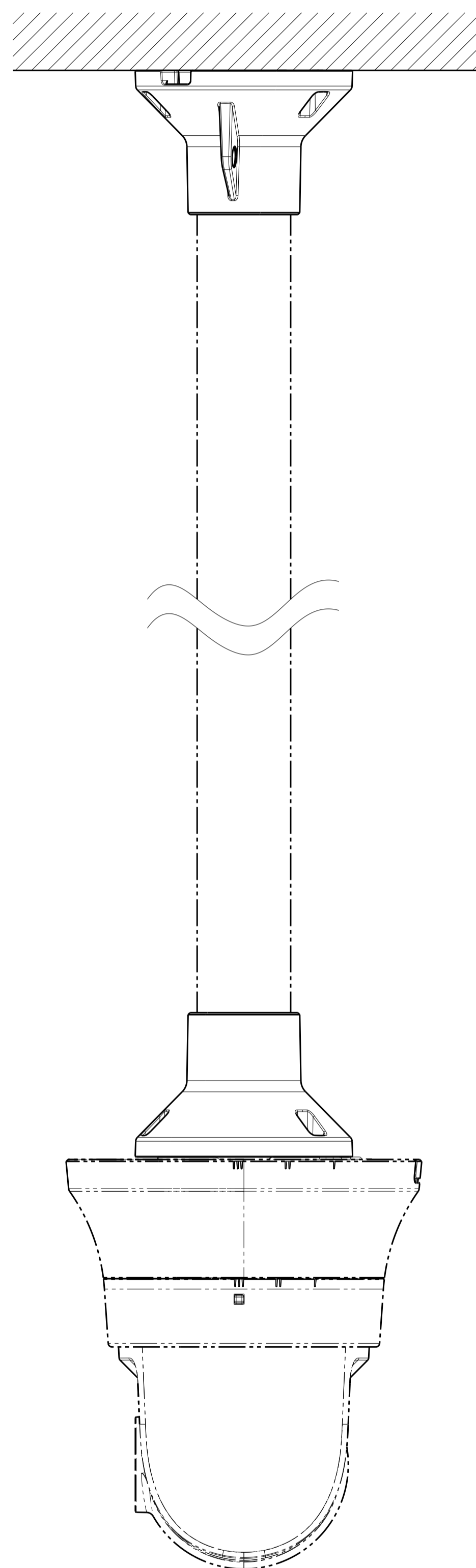
Model number	Color
WV-QCL100-W	i-PRO white
WV-QCL100-WUX	i-PRO white
WV-QCL100-B	Black

Mass : Approx. 300 g {0.66 lbs}

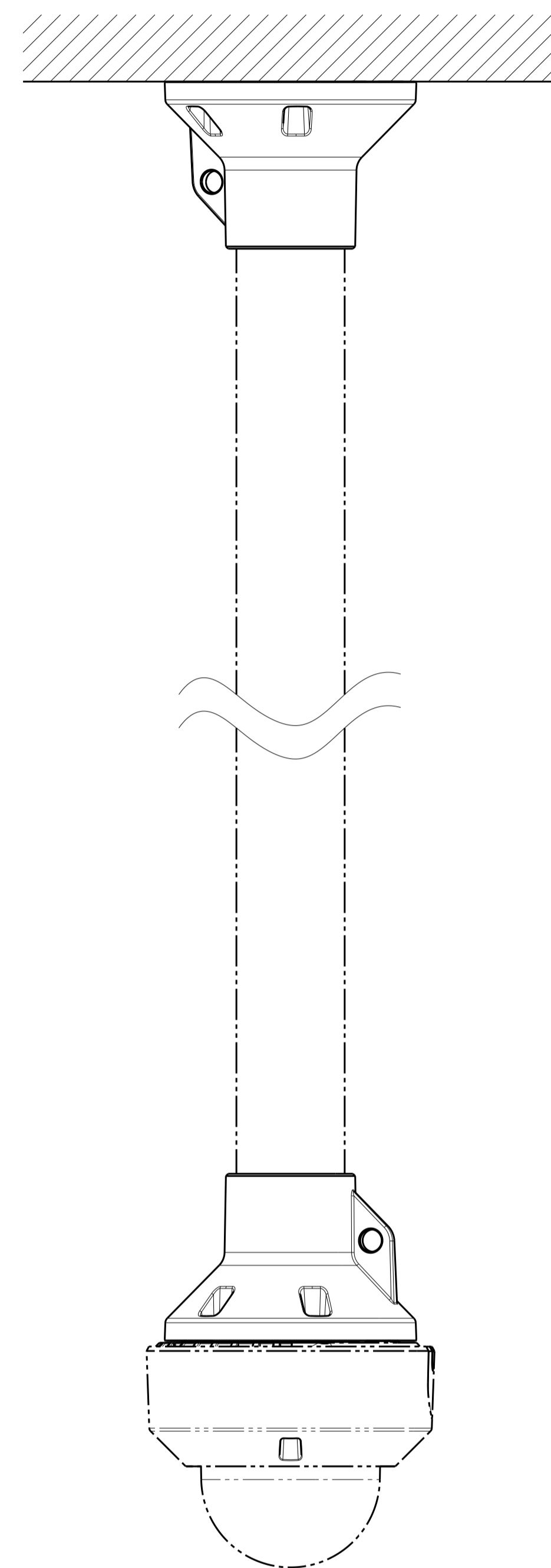
カメラとの組み合わせ例
Example of combination with a camera



Attach to WV-S313**



Attach to WV-S61302**



Attach to WV-S2135**

Model number
WV-QCL100-W
WV-QCL100-WUX
WV-QCL100-B