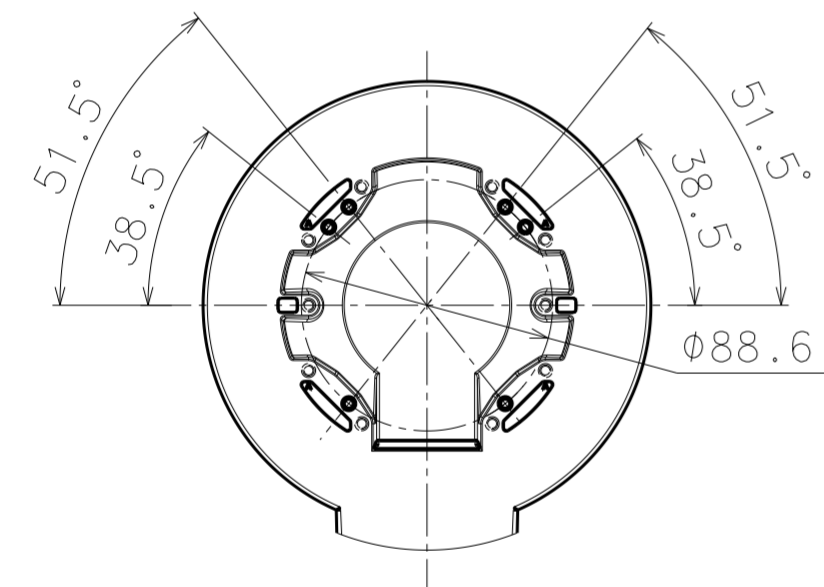
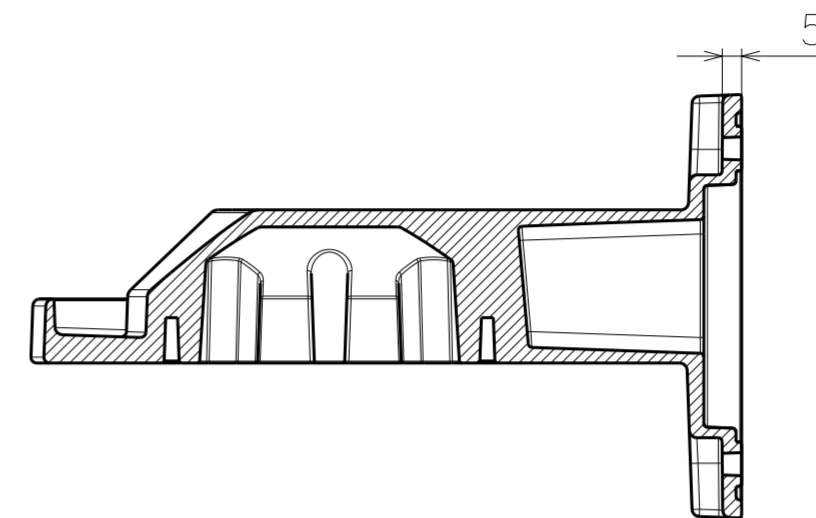
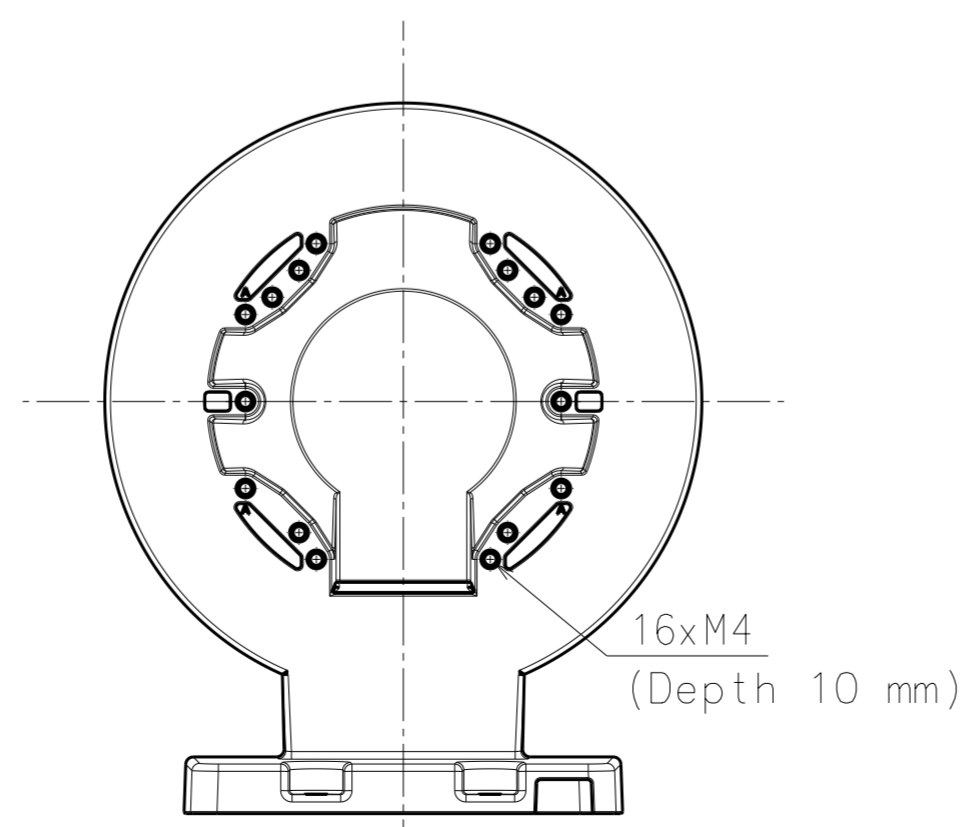
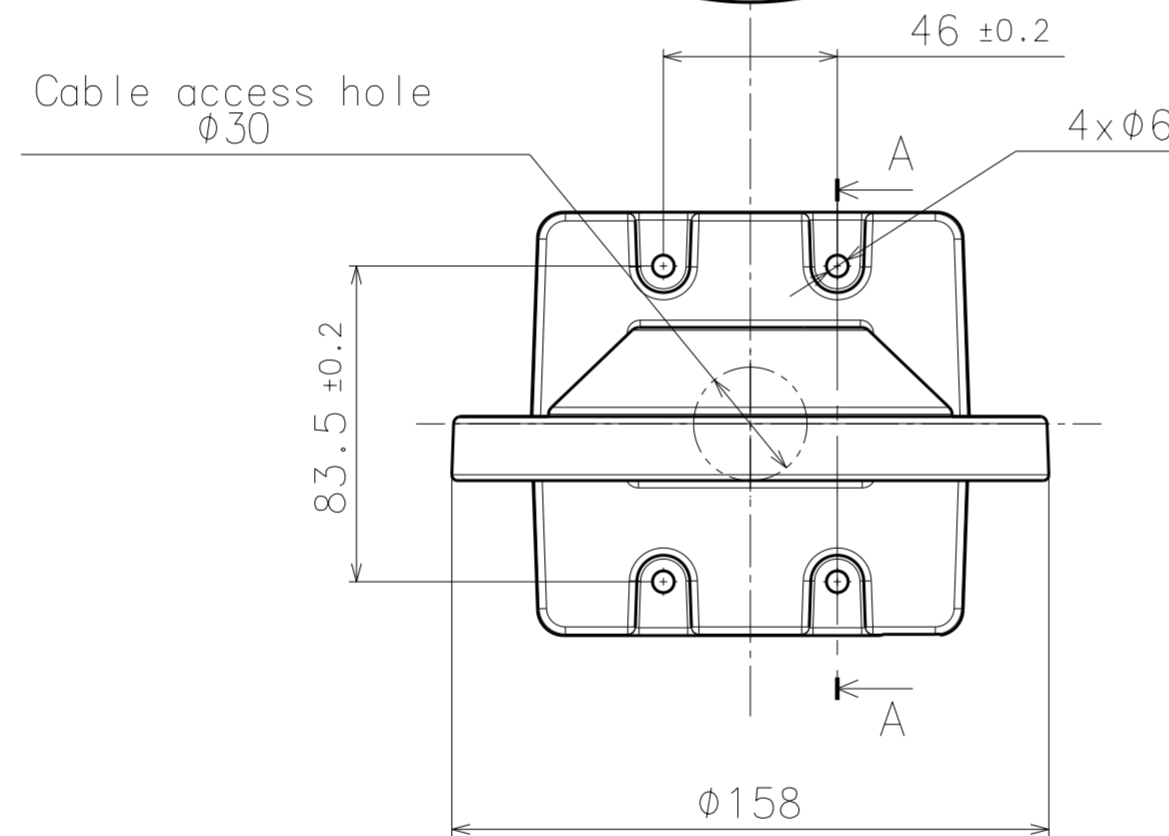
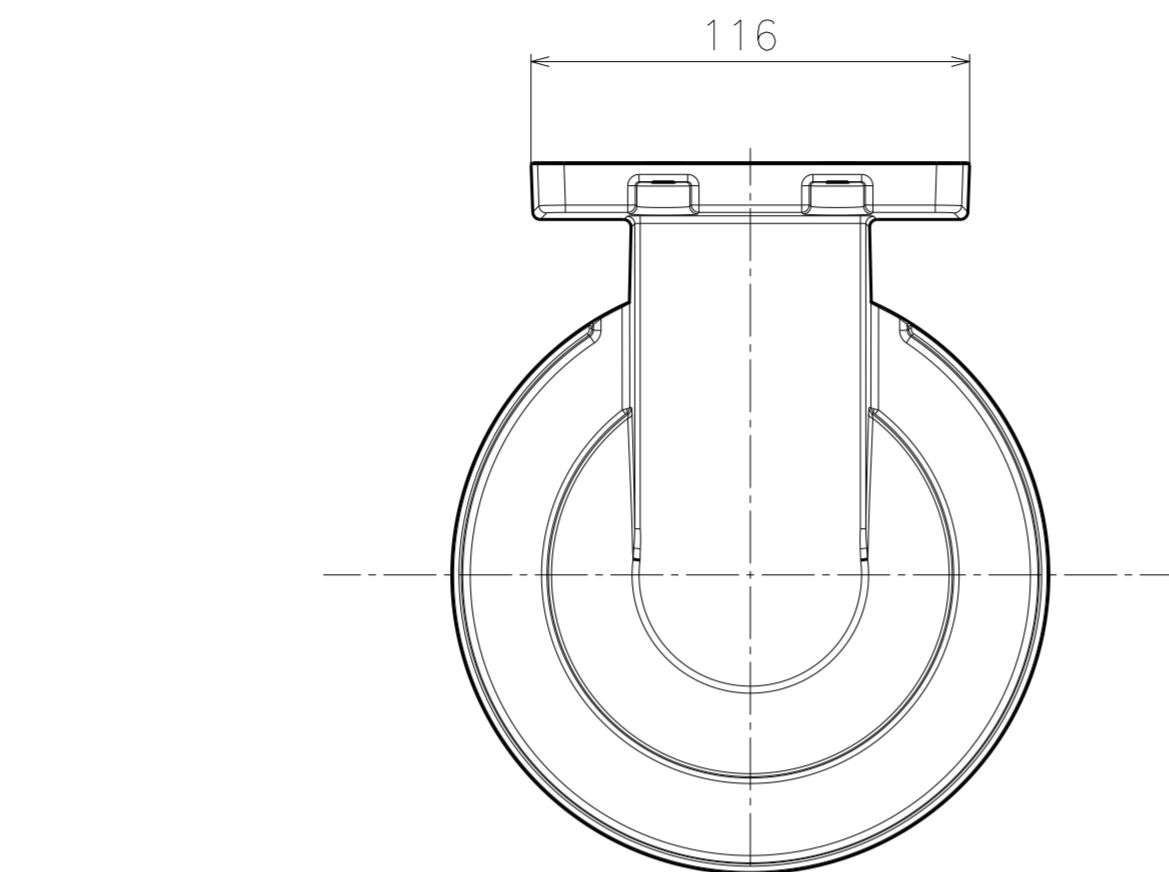


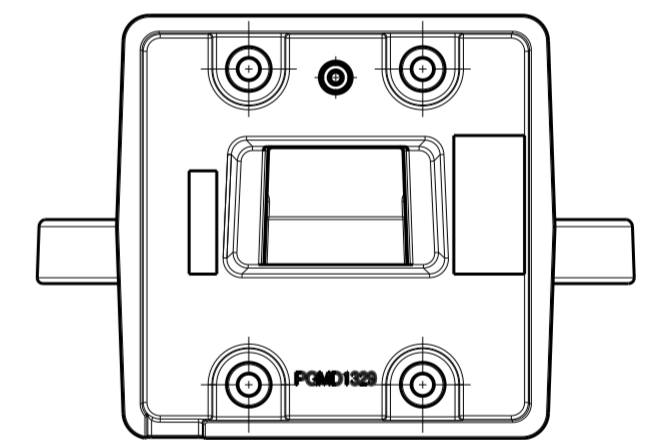
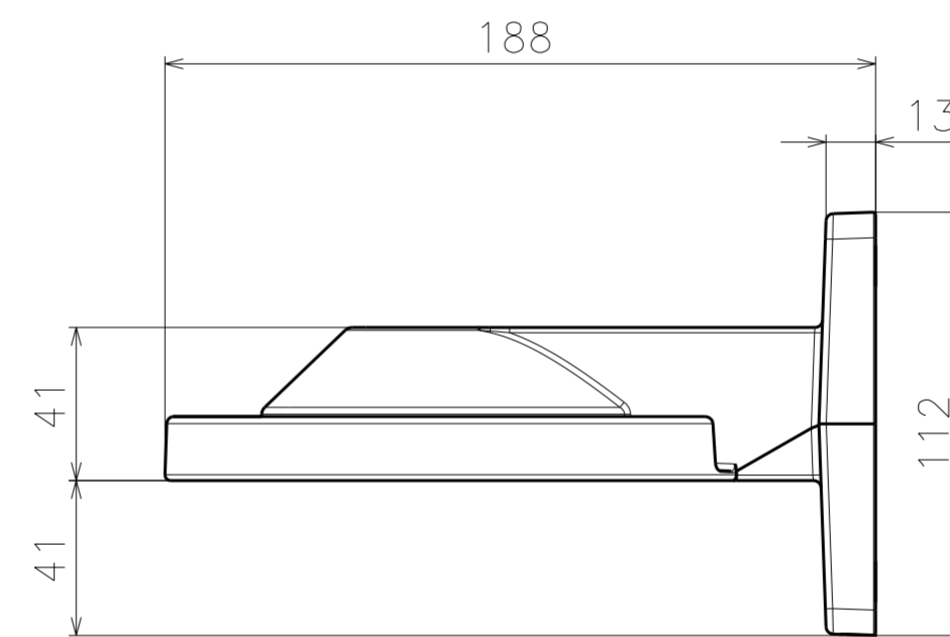
取付A  
Attachment A



取付B  
Attachment B



Sec A-A (1:2)

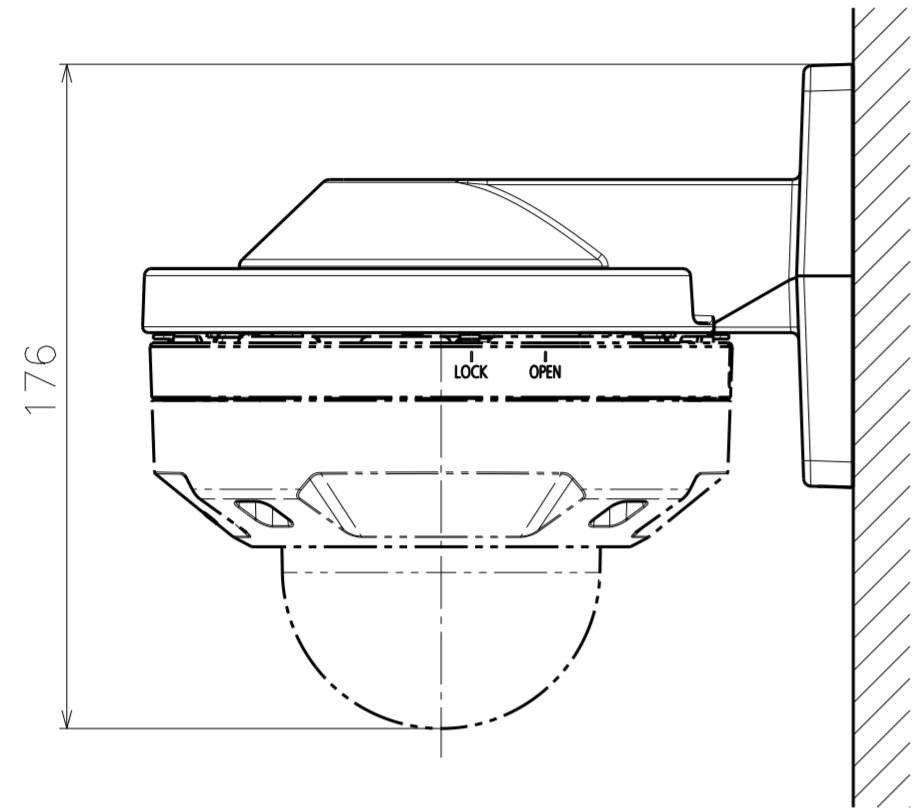


Model number	Color
WV-QWL500-W	i-PRO white
WV-QWL500-WUX	
WV-QWL500-B	Black

	投影面積/Projected area
側面図/Side-view	0.008 m <sup>2</sup>
平面図/Top-view	0.022 m <sup>2</sup>

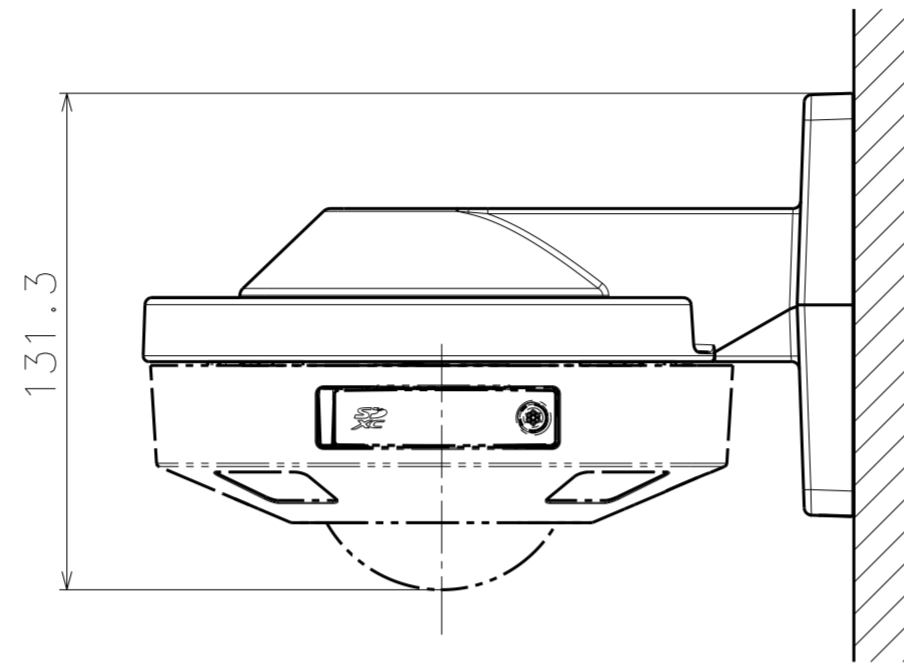
Mass : Approx. 630 g {1.39 lbs}

カメラとの組み合わせ例  
Example of combination with a camera



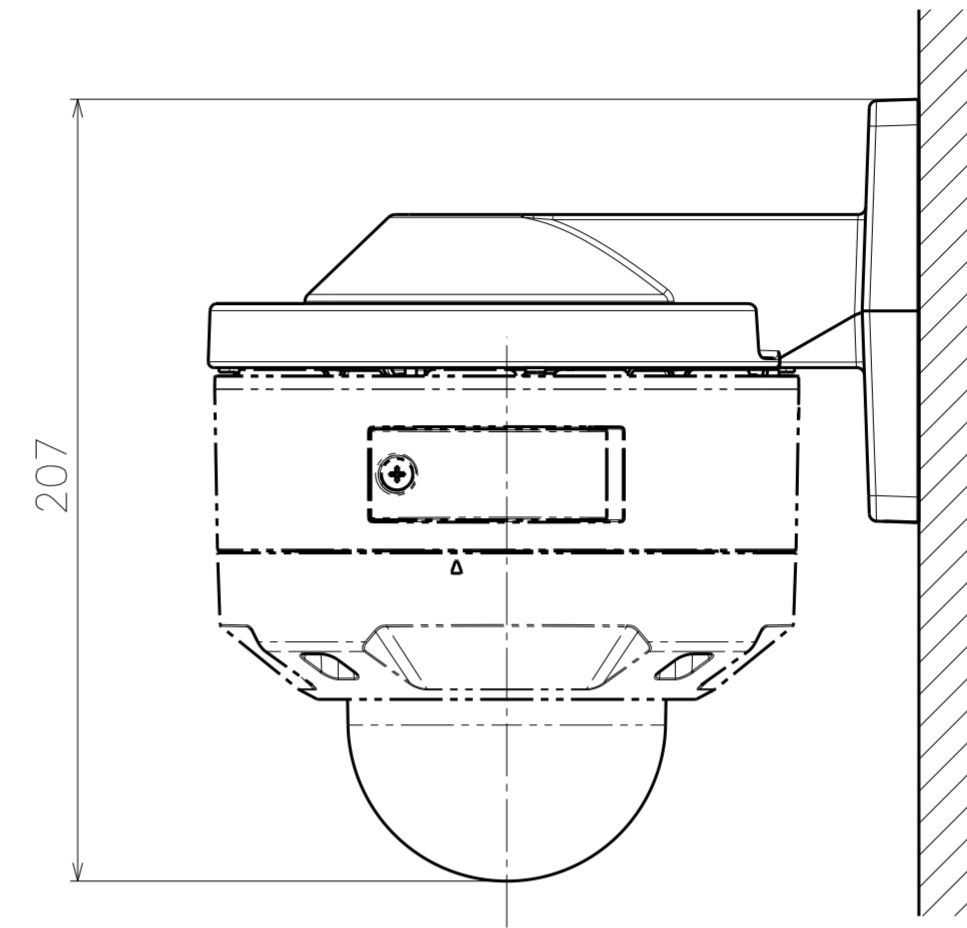
Attach to WV-S2536L\*\*

	投影面積/Projected area
側面図/Side-view	0.019 (m <sup>2</sup> )



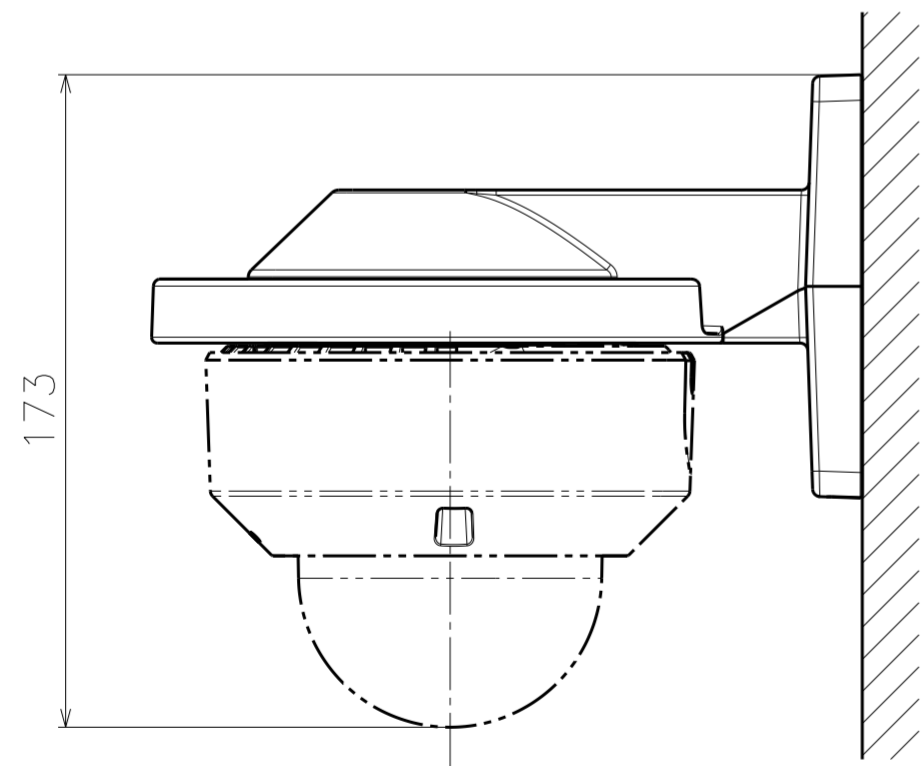
Attach to WV-S4551L

	投影面積/Projected area
側面図/Side-view	0.014 m <sup>2</sup>

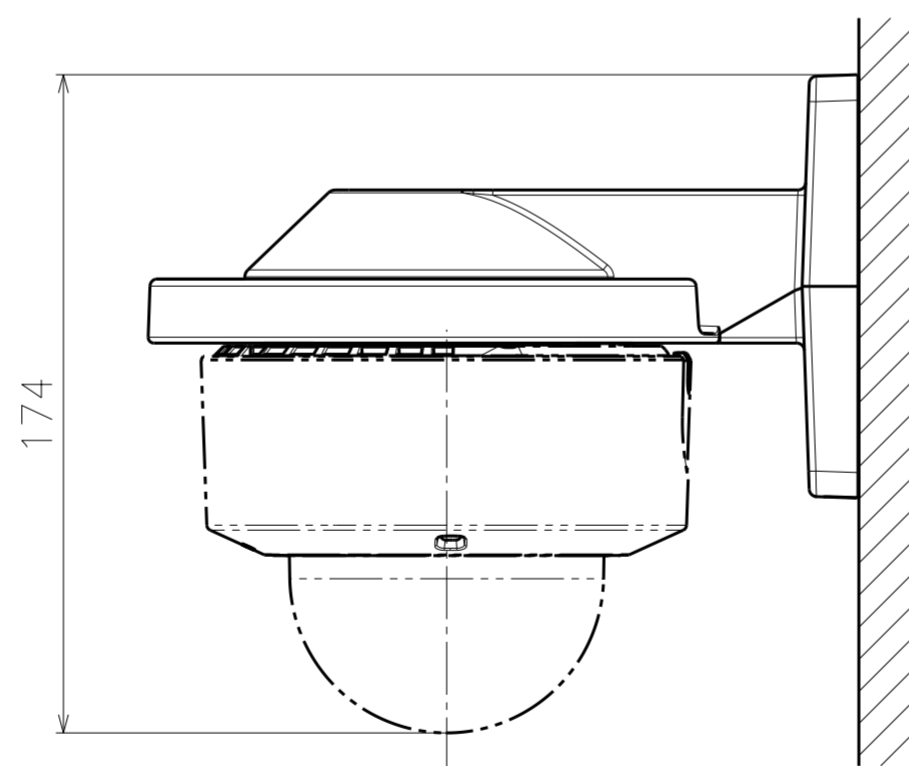


Attach to WV-U65300\*\*

	投影面積/Projected area
側面図/Side-view	0.024 (m <sup>2</sup> )



Attach to WV-S2136\*\*

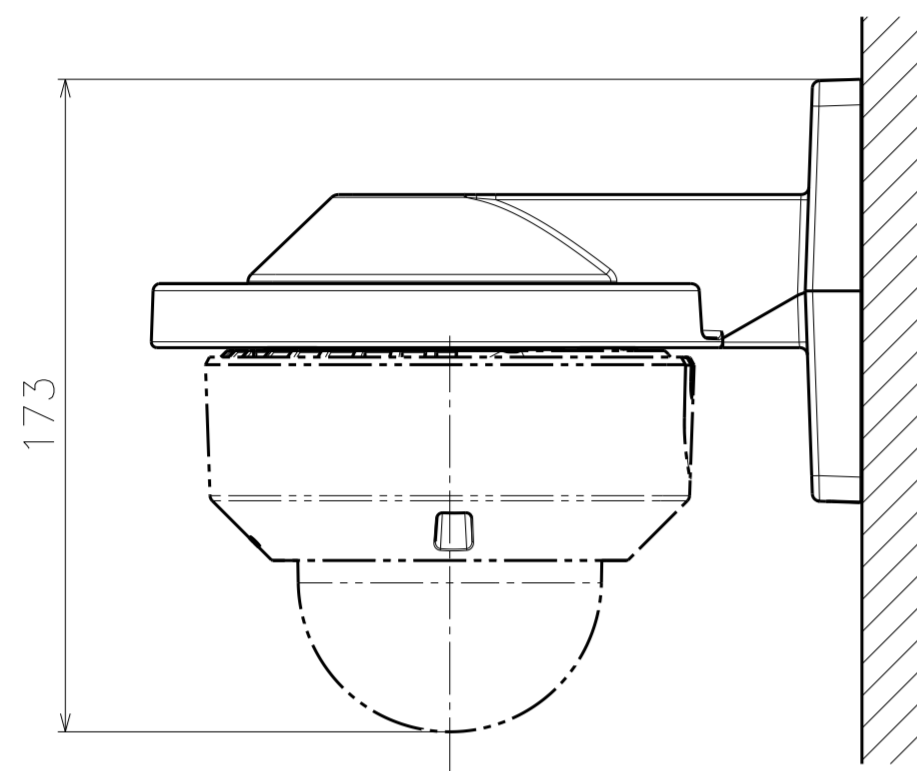


Attach to WV-S2236L\*\*

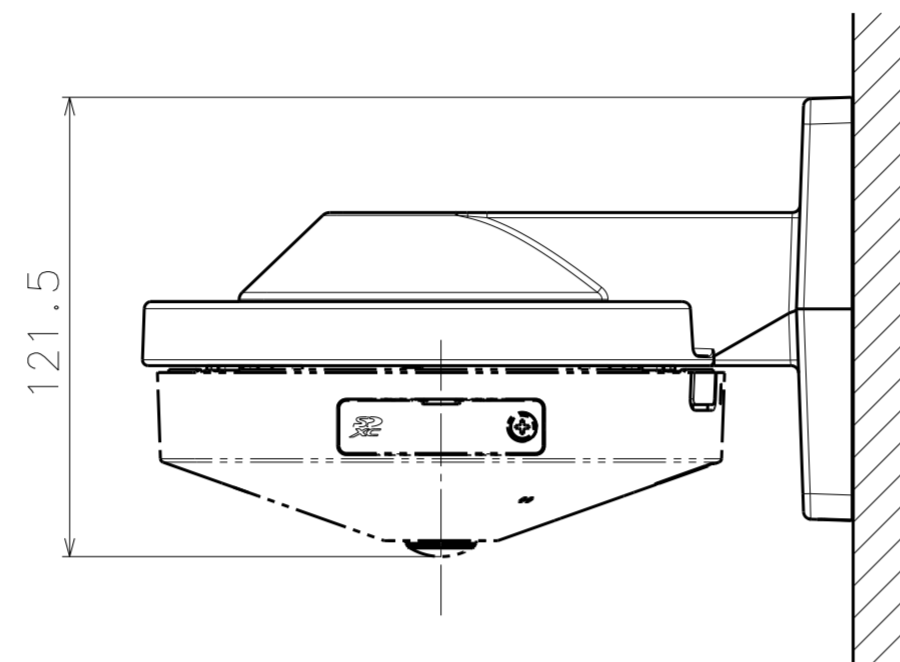
Model number
WV-QWL500-W
WV-QWL500-B

カメラとの組み合わせ例  
Example of combination with a camera

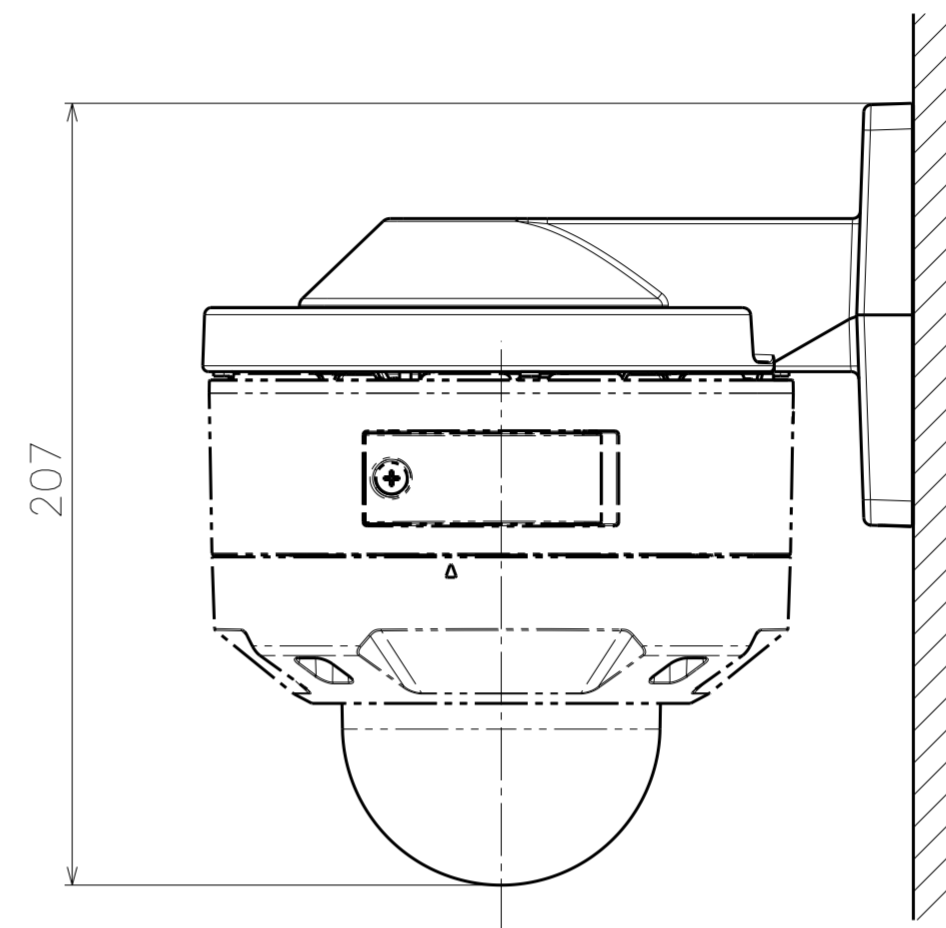
国内版  
Domestic version



Attach to WV-S2135\*\*



Attach to WV-S4151\*\*



Attach to WV-B65300\*\*

	投影面積/Projected area
側面図/Side-view	0.024 (m <sup>2</sup> )

Model number  
WV-QWL500-WUX