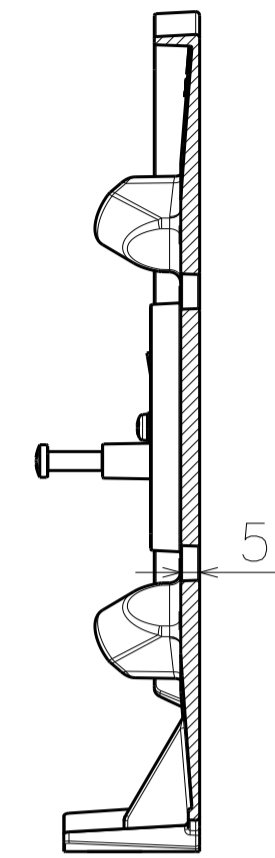
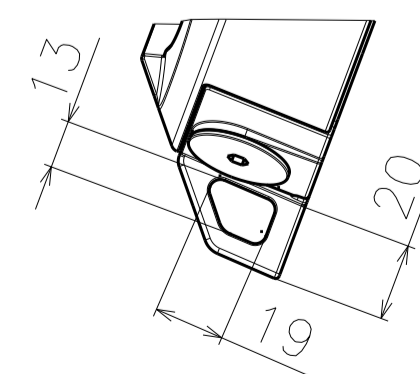
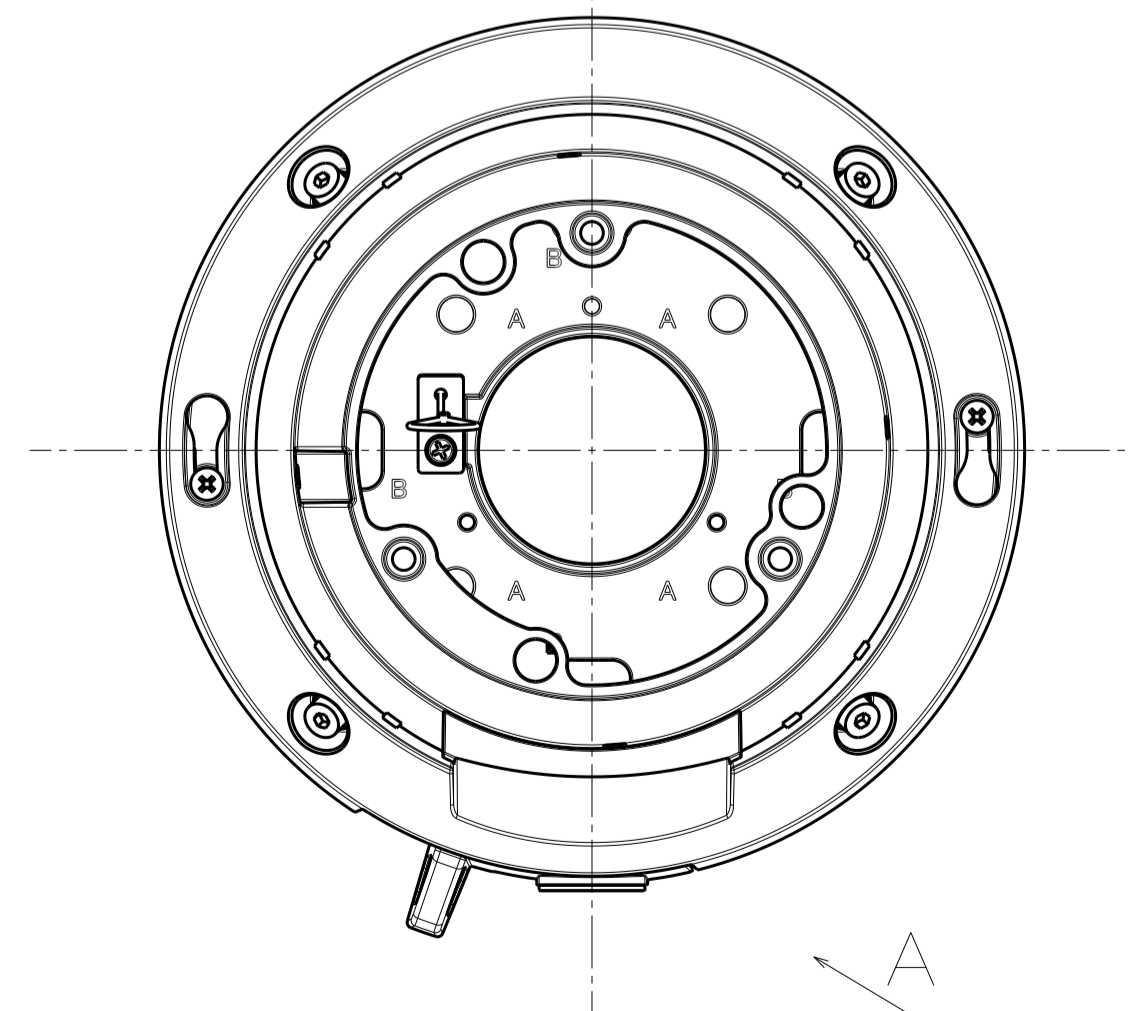
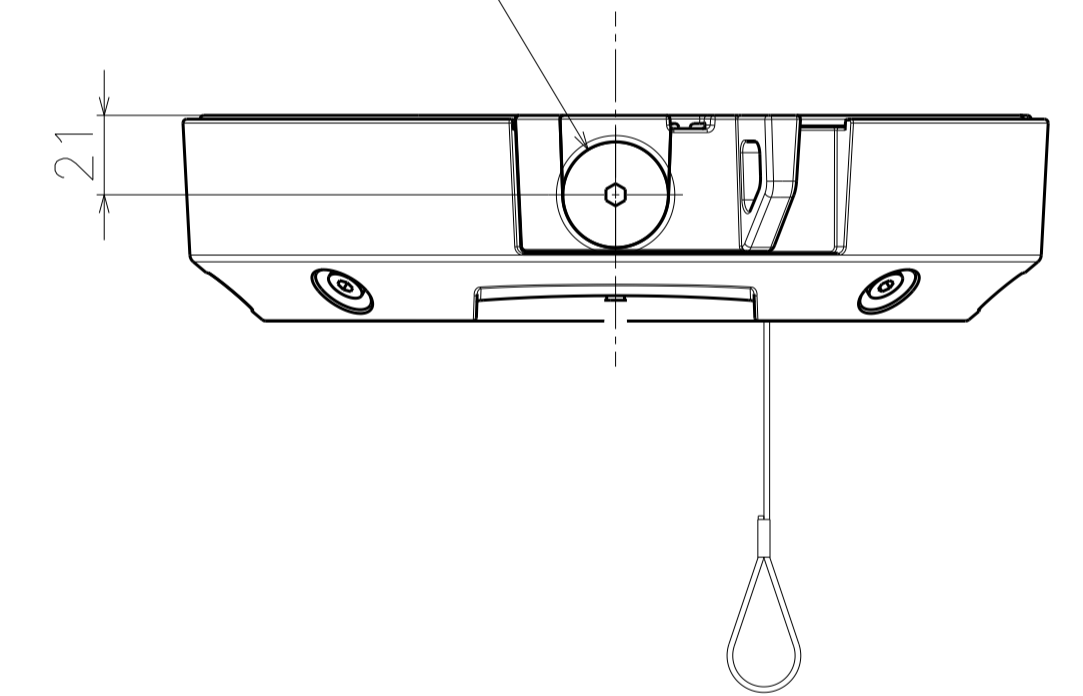
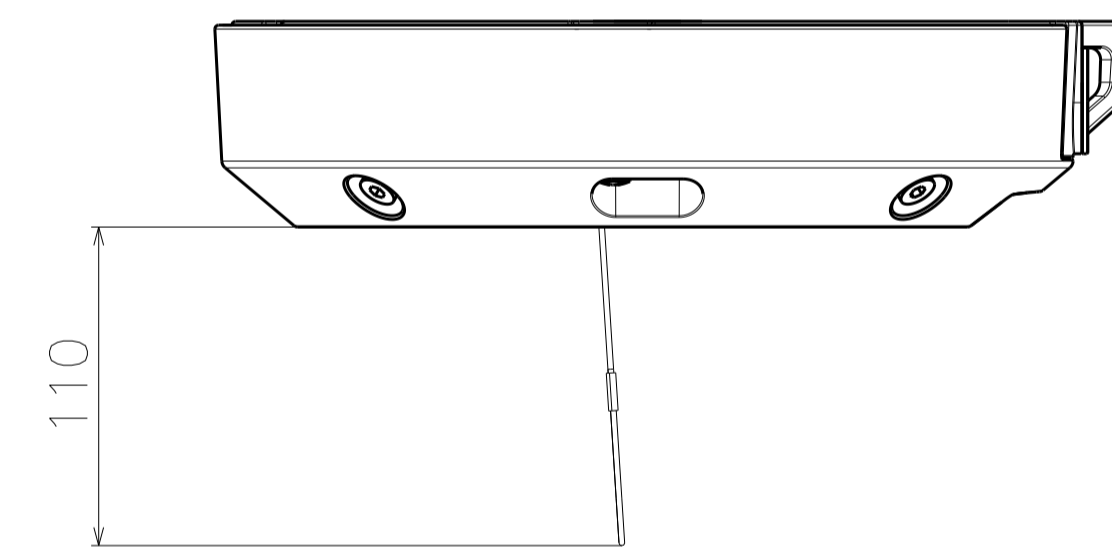
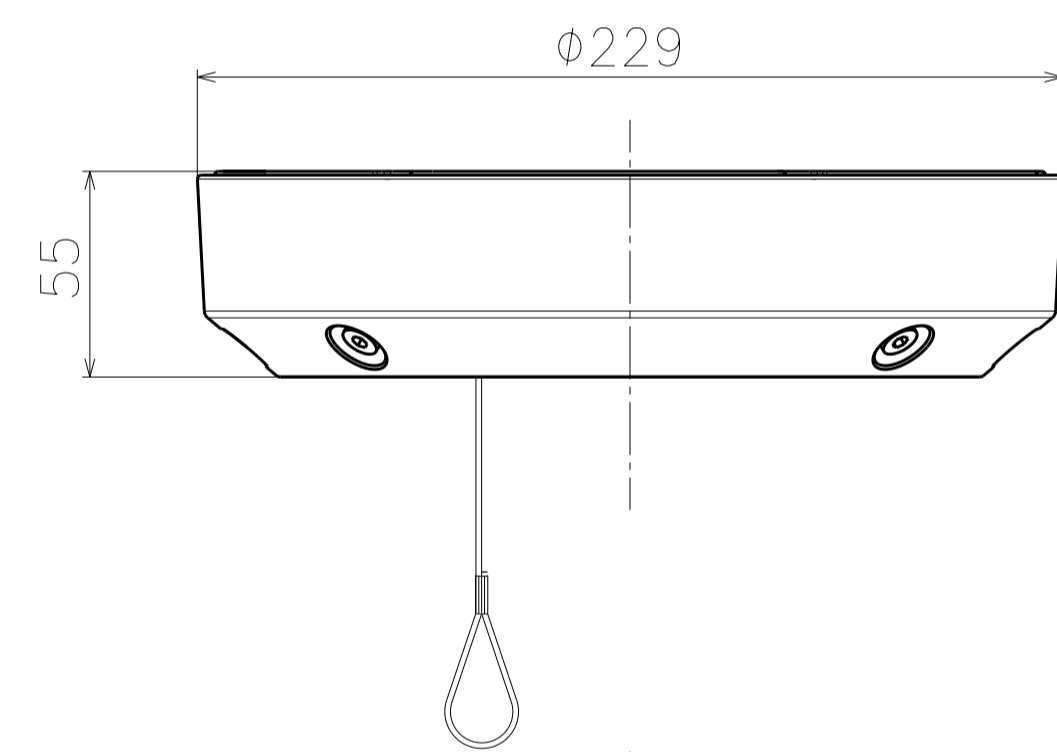
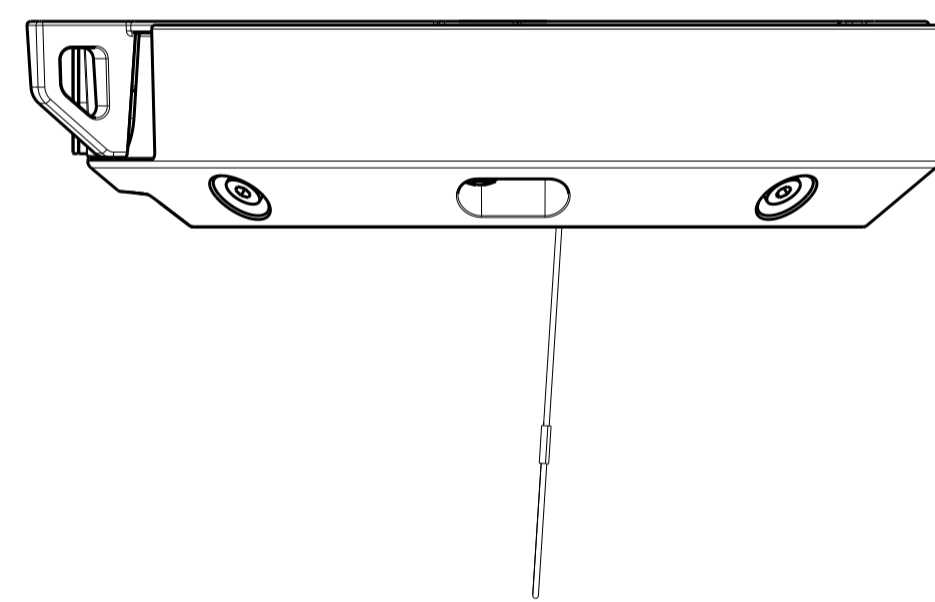
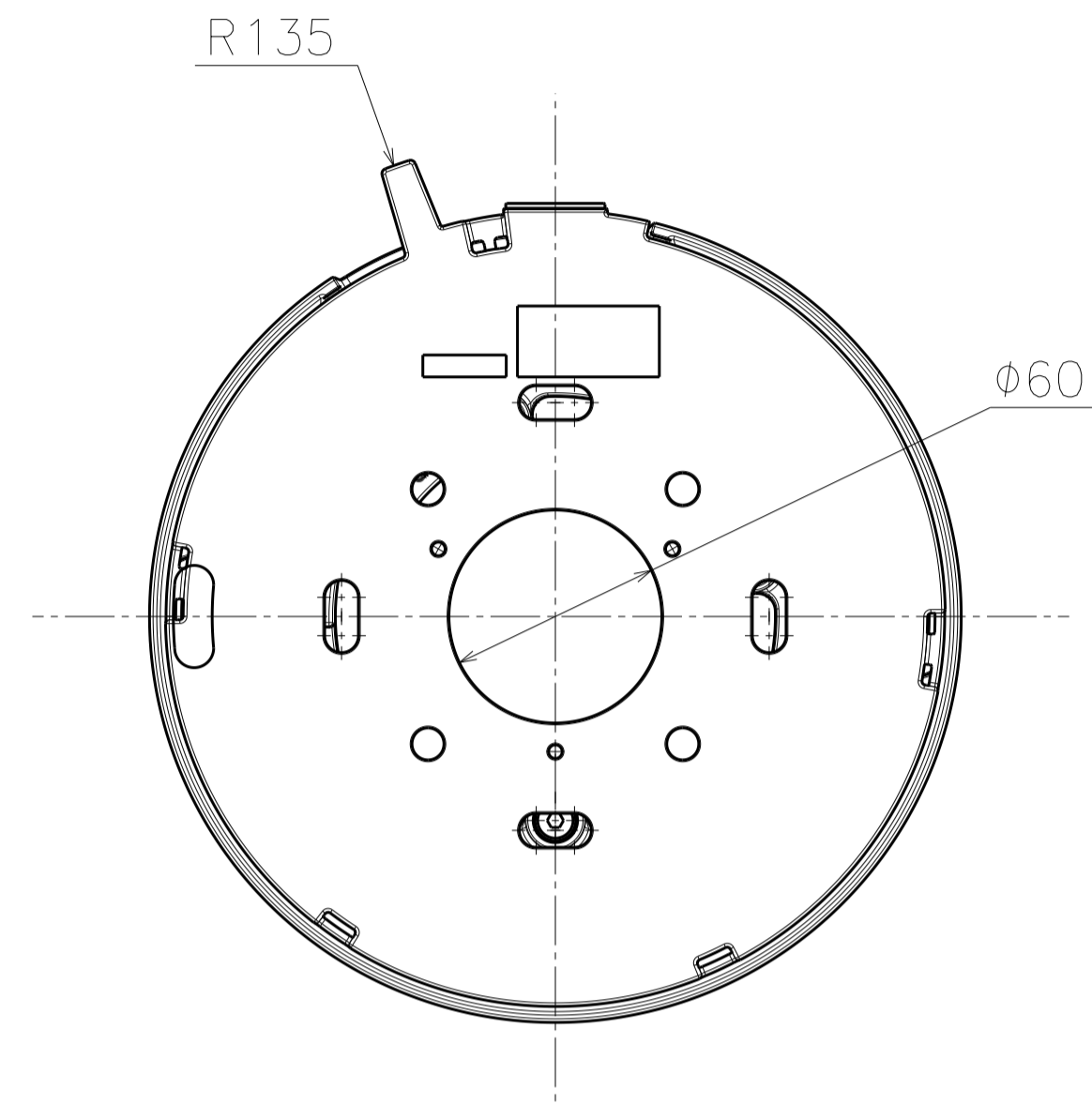


Base (Without Cover)



Sec B-B



View A-A

接続管用めねじ  
CTG22 または G 3/4  
Female thread for conduit  
NPSM 3/4 or G 3/4

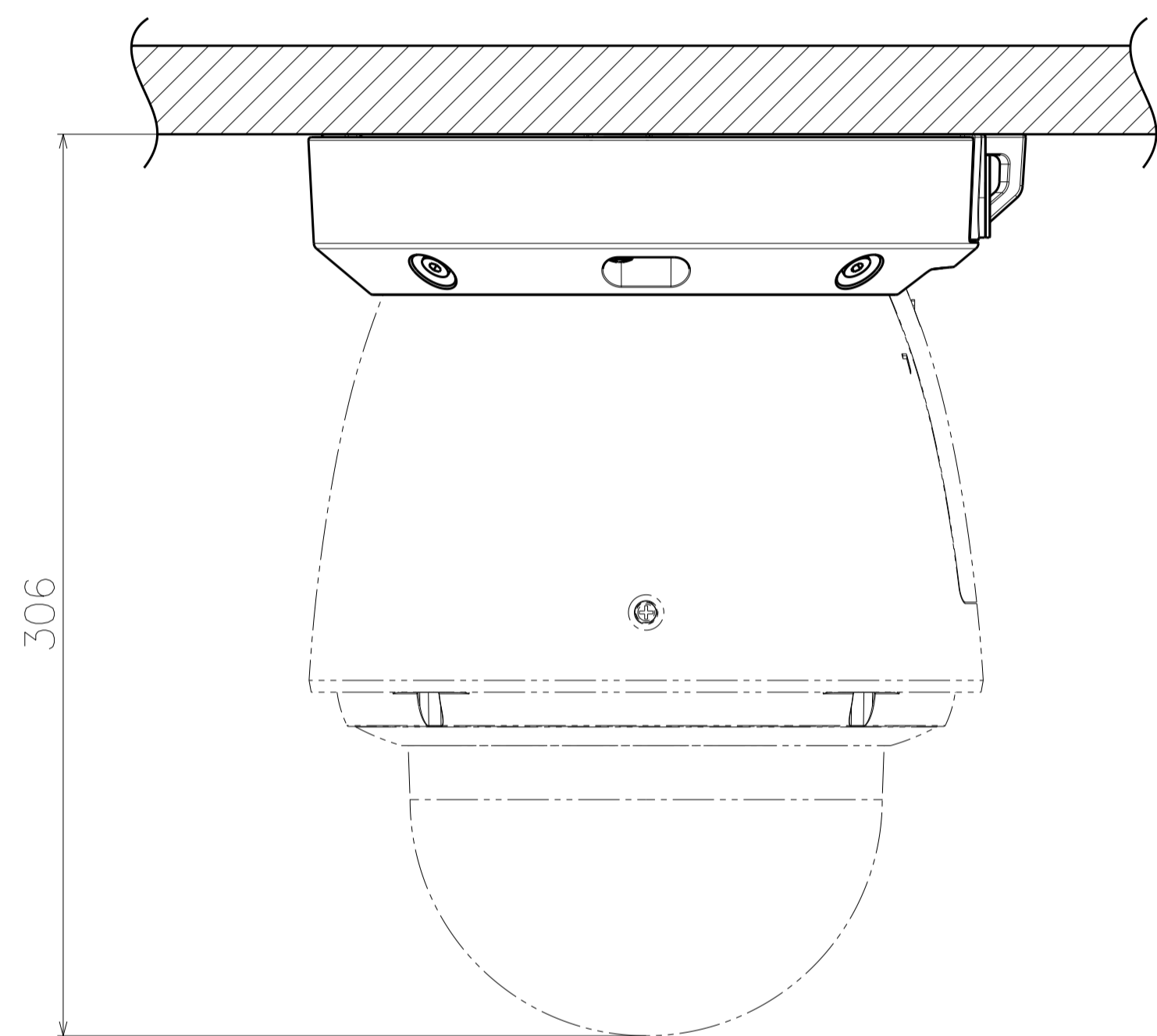
Model number	Color
WV-QCL500-S	Silver
WV-QCL500-W	i-PRO white

	投影面積/Projected area
正面図/Front-view	0.012 (m <sup>2</sup> )
側面図/Side-view	

Mass : Approx. 1.3 kg {2.87 lbs}

カメラとの組み合わせ例  
Example of combination with a camera

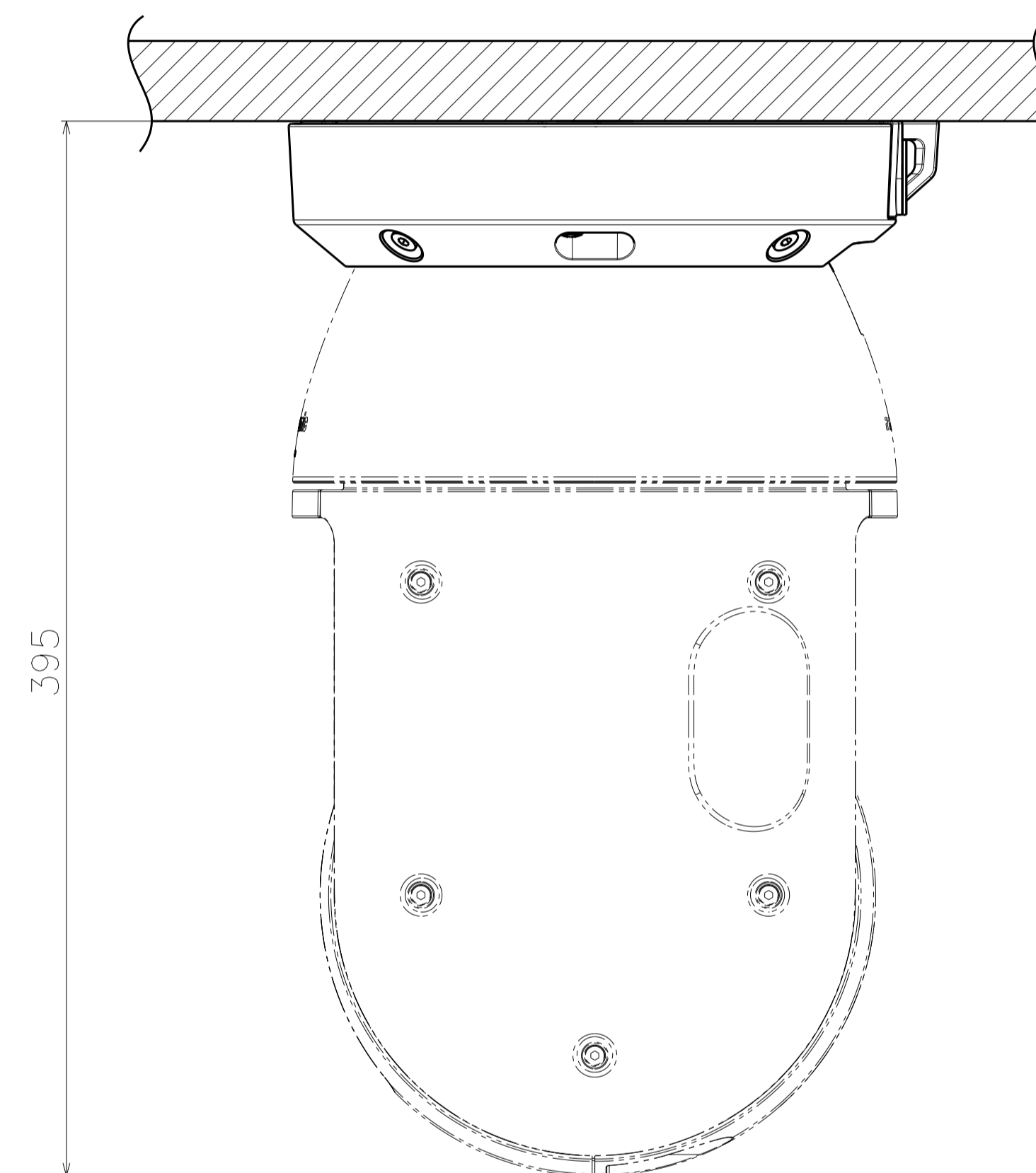
Attach to WV-X6531N\*\*



	投影面積/Projected area
正面図/Front-view	0.057 (m <sup>2</sup> )
側面図/Side-view	

注) WV-X6531N\*\*を含む。  
Note) Include WV-X6531N\*\*.

Attach to WV-X6533LN\*\*



	投影面積/Projected area
正面図/Front-view	0.083 (m <sup>2</sup> )
側面図/Side-view	0.077 (m <sup>2</sup> )

注) WV-X6533LN\*\*を含む。  
Note) Include WV-X6533LN\*\*.

Model number  
WV-QCL500-S  
WV-QCL500-W