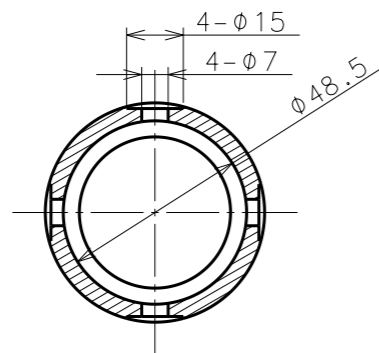
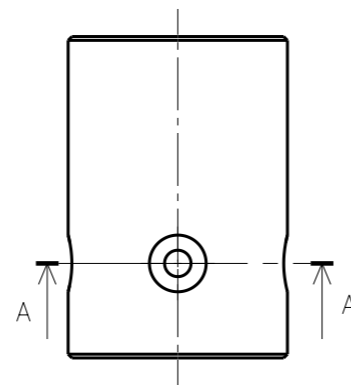
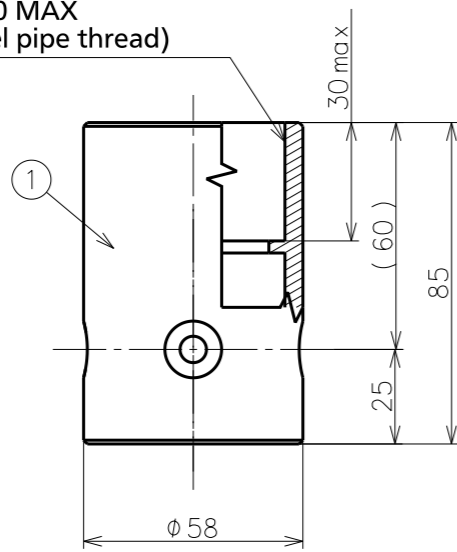


NO.	品名	Part Name	Material	Process・Remark
1	パイプ取付金具	Attachment Pipe Bracket	Aluminium die cast	Coating (Silver)

RP 1-1/2, 11 crest,
deep 30 MAX
(parallel pipe thread)



SEC A-A

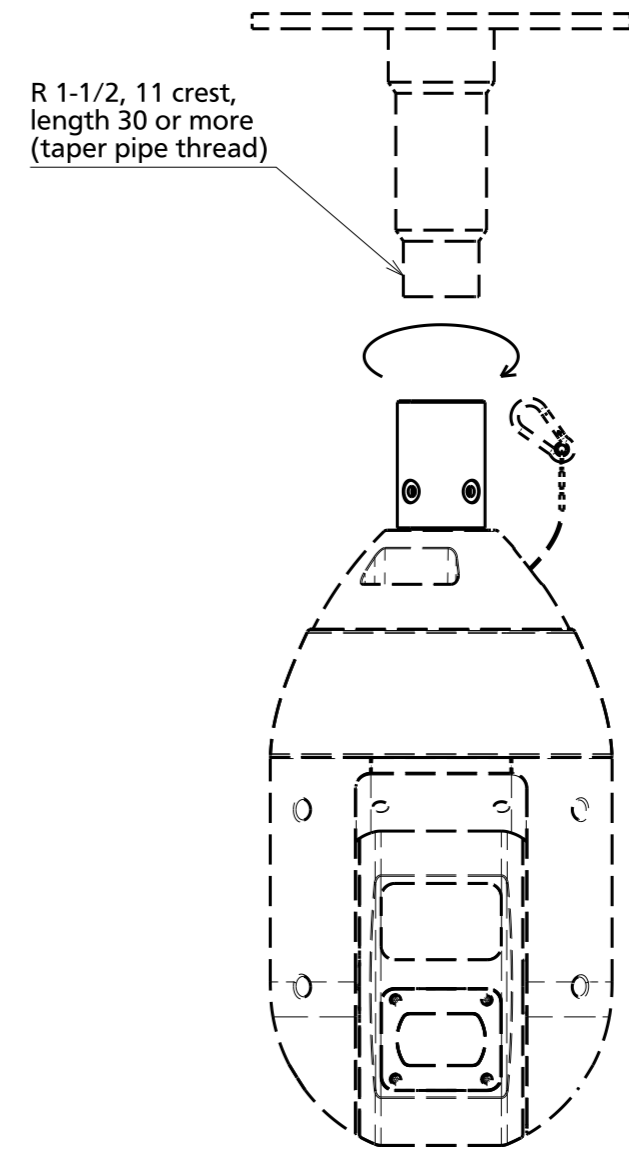
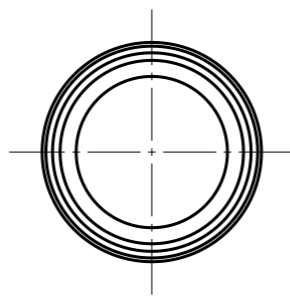


Image Figure 1:5
(with WV-X6533LN)

Weight : Approx. 200 g
WV-Q123A (WV-Q123AUYS)