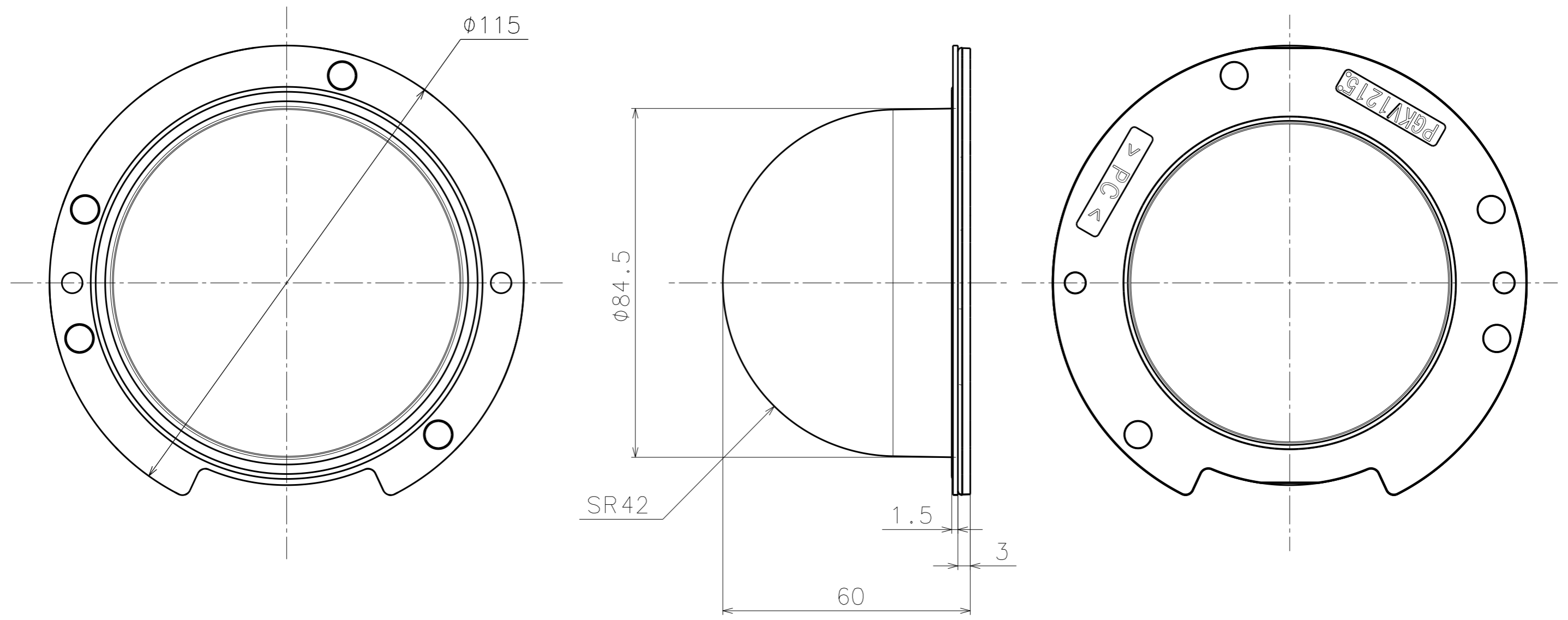


本図は付属の防水ラバーを含めた図である
This figure includes the attached waterproof rubber.



| |
|--------------|
| Model number |
| WV-CW7SN |
| WV-CW7SNUX |

Mass : Approx. 74 g {0.16 lbs} (Including Waterproof rubber)