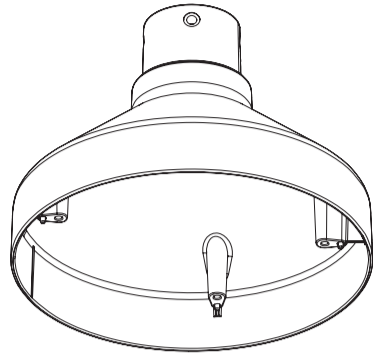


## Operating Instructions

Included Installation Instructions

### Mount Bracket

Model No. **WV-QSR501-W**



- Before attempting to connect or install this product, please read these instructions carefully and save this manual for future use.
- The external appearance and other parts shown in this manual may differ from the actual product within the scope that will not interfere with normal use due to improvement of the product.

**i-PRO Co., Ltd. assumes no responsibility for injuries or property damage resulting from failures arising out of improper installation or operation inconsistent with this documentation.**

#### For U.S. and Canada:

i-PRO Americas Inc.

#### For Europe and other countries:

i-PRO EMEA B.V.

<https://www.i-pro.com/>

© i-PRO Co., Ltd. 2022



Ls0520-1042  
Printed in China

#### Caution:

- Before attempting to connect or operate this product, please read these instructions carefully

#### Notice:

- This product is not suitable for use in locations where children are likely to be present.
- Do not install this product in locations where ordinary persons can easily reach.
- For information about screws and brackets required for installation, refer to the corresponding section of this document.

### Precautions

#### ■ Do not use this bracket except with specified cameras and brackets.

Failure to observe this may cause a drop resulting in injury or accidents.

#### ■ Refer installation work to the dealer.

Installation work requires technique and experiences. Failure to observe this may cause fire, electric shock, injury, or damage to the product. Be sure to consult the dealer.

#### ■ Install the product securely on the bracket in accordance with the installation instructions.

Failure to observe this may cause injury or accidents.

#### ■ The measures of protection against snowfall shall be taken.

Weight of snow may cause a fall of the product resulting in injury or accidents. Protect the product against snowfall by installing under eaves.

#### ■ Do not rub the edges of metal parts with your hand.

Strong rubbing may cause injury.

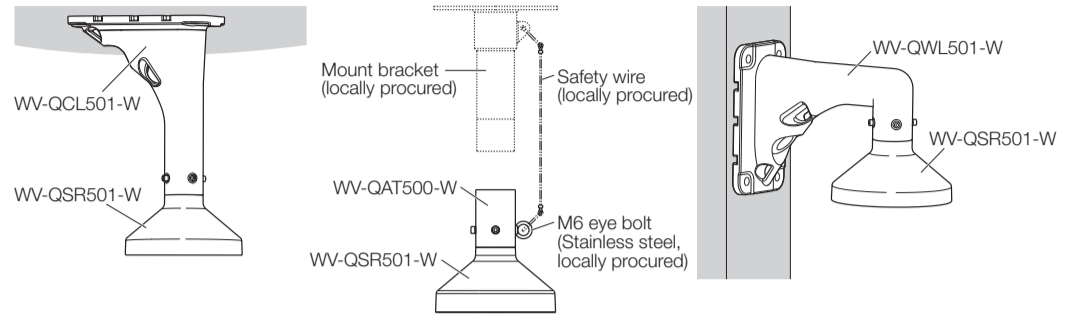
#### ■ When using this product, also read the "Precautions" described in the operating instructions for the camera to be attached.

### Preface

This product is designed to be used to install a outdoor or indoor dome type camera for use in the following ways.

- When installing to the ceiling in combination with WV-QCL501-W (Ceiling Mount Bracket)
- When installing on a wall using together with WV-QWL501-W (Wall Mount Bracket)
- When installing to a bracket locally procured in combination with WV-QAT500-W (Attachment Pipe Bracket)

For the latest information on cameras and brackets which can be installed, refer to our support website ([https://i-pro.com/global/en/surveillance/training\\_support/support/technical\\_information](https://i-pro.com/global/en/surveillance/training_support/support/technical_information) <Control No.: C0501 and C0112>).



### Specifications

Ambient operating temperature: -50 °C to +60 °C {-58 °F to 140 °F}

Dimensions: Maximum diameter: ø176 mm {6-15/16 inches}  
Height: 131 mm {5-5/32 inches}  
When base guide bracket and other components installed: Height 135.5 mm {5-11/32 inches}

Mass: Main body: Approx.480 g {1.06 lbs}  
Base guide plate and others: Approx.140 g {0.31 lbs}

Finish: Main body: Aluminum die cast i-PRO White

### Precautions for installation

#### ■ In order to prevent injury, this product must be securely mounted to a specialized bracket in according to the Installation Guide of this bracket.

#### ■ Mounting method for this product

This product is designed to be used as a pendant mount camera. If the product is mounted on a desktop or at a slant, it may not work correctly and its lifetime may be shortened.

#### ■ Screw tightening

- Do not use an impact driver. Use of an impact driver may damage the screws or cause tightening excessively.

#### ■ When installing to a bracket locally procured in combination with WV-QAT500-W

- Procure an M6 eye bolt (stainless steel) locally. (Recommended tightening torque: 2.45 N·m {1.81 lbf·ft})
- The bracket locally procured must be the one to which the safety wire can be attached in order to prevent the camera from dropping.
- Connect the M6 eye bolt and the bracket locally procured with the safety wire.
- Check that WV-QAT500-W and the mounting surface of the bracket tolerate the loads of this product and the camera to be connected.

#### ■ Make sure to remove this product if it will no longer be used.

### Standard accessories

Operating Instructions (this document).....	1 set
Inner cover .....	1 pc.
Screw A (Fixing screw for the inner cover: M3×8 mm {5/16 inches}) .....	4 pcs. (of them, 1 for spare)
Base guide plate.....	1 pc.
Screw B (Fixing screw for the base guide bracket: M4×8 mm {5/16 inches}) .....	5 pcs. (of them, 1 for spare)
Screw C (Fixing screw for the attachment plate: M4×8 mm {5/16 inches}).....	5 pcs. (of them, 1 for spare)

# Installation

Be sure to read "Precautions" and "Precautions for installation" before installation.  
**Refer to the operating instructions of the camera for details on the camera installation (including the camera mounting, cable connection and adjustment).**

## [1] Fix the wall mount bracket (WV-QWL501-W) on a wall and attach the cover of the mount bracket (WV-QSR501-W) to the WV-QWL501-W

- Pass the cables from the wall to the WV-QWL501-W. Adjust the length of the cables so that the cables of approx. 300 mm {11-13/16 inches} come out from the opening of the WV-QWL501-W.

**Note:**

- Do not bundle the cables (Ethernet cable, power cable, etc.) during installation. Mounting of inner cover (accessory) may become difficult. (The provided illustration shows the Ethernet cable as a representative image.)

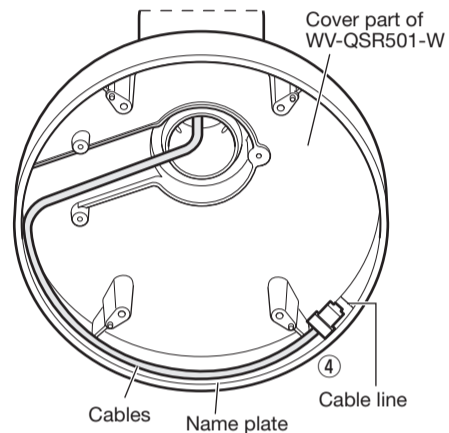
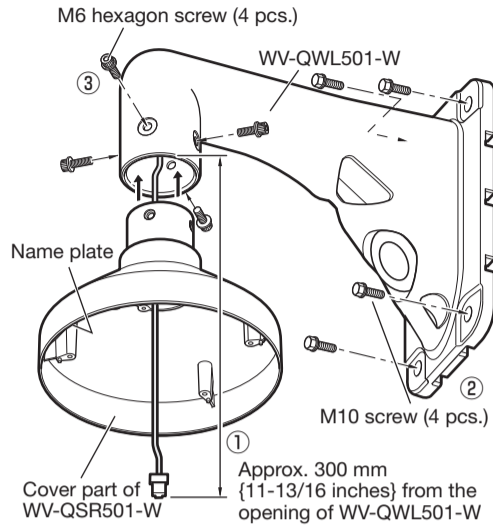
- Fix the WV-QWL501-W on a wall with fixing screws (4 pcs.) (M10: locally procured). Minimum pull-out strength: 823 N {185 lbf}/ per 1 pc.

If the product is installed outdoors, the waterproofing treatment is necessary. Refer to the operating instructions of used mounting bracket for further information on how to fix.

- Attach the cover part of this product to the WV-QWL501-W, and then fix it with M6 hexagon screws (4 pcs.) (provided with WV-QWL501-W). (A hexagon wrench with a width of 5 mm is required.) (Recommended tightening torque: 2.45 N·m {1.81 lbf-ft})

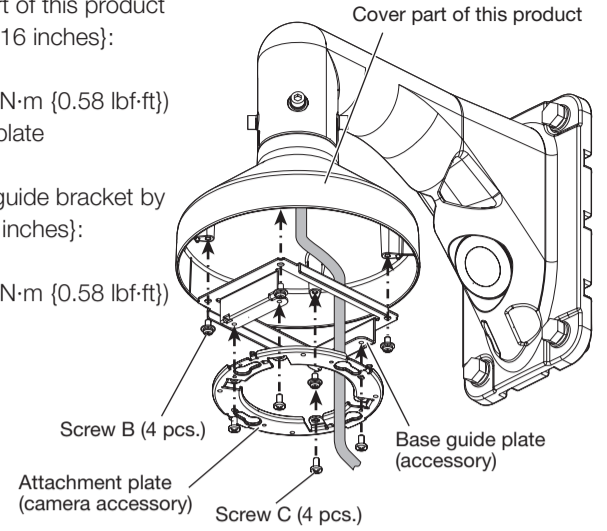
\* Fix the cover so that the name plate of this product comes in front of the WV-QWL501-W.

- After fixing this product on the WV-QWL501-W, lay the cables as shown in the upper right illustration and confirm that the ends of the cables reach the cable line inside the cover of this product.



## ■ When installing an indoor dome type camera (When installing an indoor type camera, install the combined brackets indoors.)

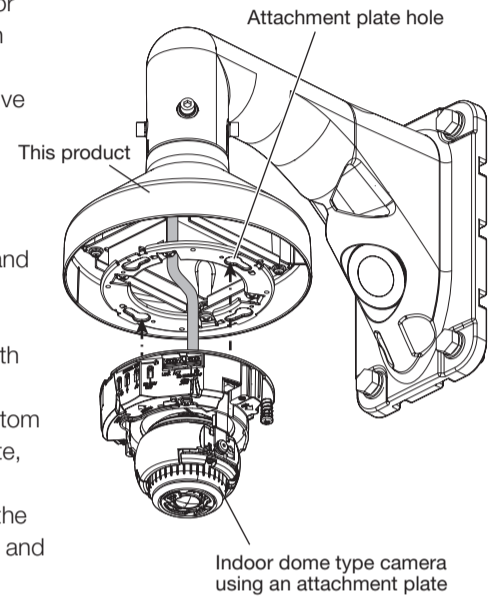
- Pass the cable through the base guide plate (accessory).
- Fix the base guide plate to the cover part of this product by using Screw B (4 pcs) (M4×8 mm {5/16 inches}; accessory). (Recommended tightening torque: 0.78 N·m {0.58 lbf-ft})
- Pass the cable through the attachment plate (camera accessory).
- Fix the attachment bracket to the base guide bracket by using Screw C (4 pcs) (M4×8 mm {5/16 inches}; accessory). (Recommended tightening torque: 0.78 N·m {0.58 lbf-ft})



→ Refer to the operating instructions of the camera for details on the following preparations and details on how to mount the camera.

- Remove the enclosure, cushion wrap, and protective sheet from the camera body before attaching the camera to this product.
- As required, remove the power cord plug (camera accessory) and EXT I/O terminal plug (camera accessory) that are attached to the camera body and install the SD memory card.
- Connect the cables to the camera.
- Align the OPEN mark on the side of the camera with the claws of the attachment plate, insert the attachment mounting screws (2 places) on the bottom of the camera into the holes of the attachment plate, and rotate it about 15° to temporarily fix it.

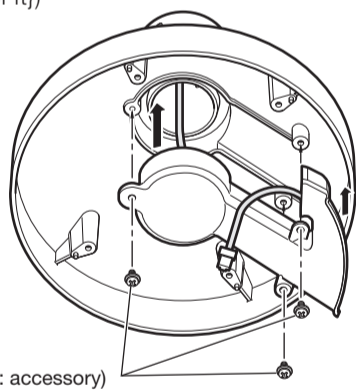
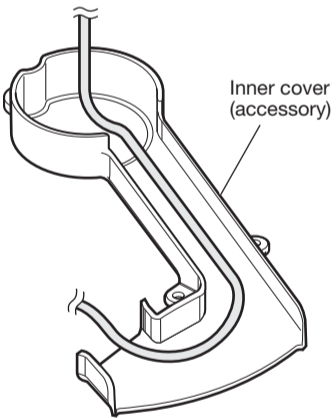
→ Therein after, refer to the operating instructions of the camera to fix the camera, adjust the angle of view, and for the parts to fit the enclosure.



\* The enclosure part is omitted from the illustration on the upper right.

## [2] Fix the cable with the inner cover

- Wire the cables as shown below.
- Fix inner cover (accessory) using Screw A (3 pcs.) (M3 × 8mm {5/16 inches}; accessory). (Recommended tightening torque: 0.78 N·m {0.58 lbf-ft})



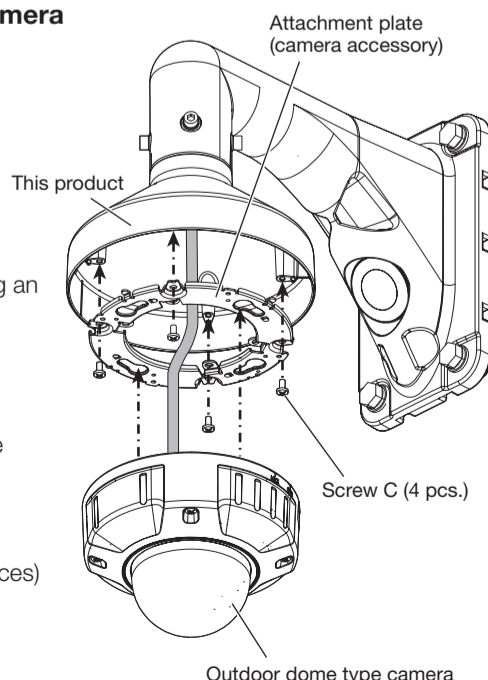
Screw A (3 pcs.) (M3: accessory)

## [3] Attach the bracket to the cover part of this product, and fix the camera

### ■ When installing an outdoor dome type camera

- Pass the cables from this product through the attachment plate (camera accessory).
- Secure the attachment plate to the cover of this product with Screw C (4 pcs) (M4×8 mm {5/16 inches}; accessory). (Recommended tightening torque: 0.78 N·m {0.58 lbf-ft})  
 \* The illustration on the right is an example of fixing an attachment plate that has 4 holes for fixing the camera.
- Connect the cables to the camera. The cable connector is waterproofed. For details about this treatment, refer to the operating instructions of the camera you are using.
- Align the OPEN mark on the side of the camera enclosure with the claw of the attachment plate, insert the attachment mounting screws (2 or 3 places) on the bottom of the camera into the holes of the attachment plate, and rotate it about 15° to temporarily fix it.

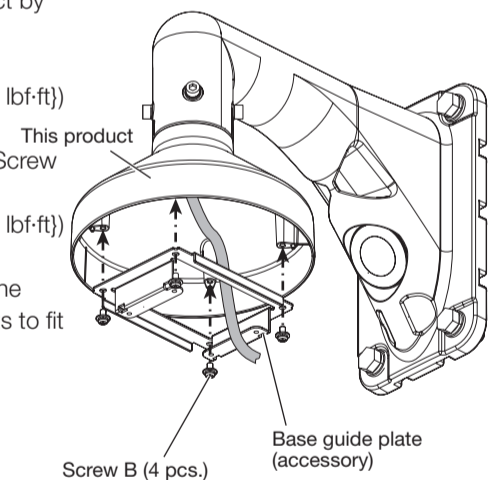
→ Refer to the operating instructions of the camera for the parts to remove the enclosure, fix the camera, adjust the angle of view, and install the enclosure.



### ■ When installing an indoor dome type camera without an attachment plate (When installing an indoor type camera, install the combined bracket indoors.)

- Pass the cable through the base guide plate (accessory).
- Fix the base guide plate to the cover of this product by using Screw B (4 pcs.) (M4×8 mm {5/16 inches}; accessory). (Recommended tightening torque: 0.78 N·m {0.58 lbf-ft})
- Connect the cables to the camera.
- Fix the camera to the base guide plate using 2 of Screw C (M4×8mm {5/16 inches}; accessory). (Recommended tightening torque: 0.78 N·m {0.58 lbf-ft})

→ Therein after, refer to the operating instructions of the camera to adjust the angle of view, and for the parts to fit the enclosure.



\* The enclosure part is omitted from the illustration on the lower right.

