

# WV-S8530N

4 x FHD(8MP) iA H.265 Multi-Directional Camera

## i-PRO Extreme H.265 Multi-Directional Camera

The WV-S8530N captures the highest quality images in even very challenging and dynamic environments.



- 4 x FHD(8MP) 1600x1200 / 1920x1080 up to 30fps
- iA (intelligent Auto)
- Super Dynamic 108dB
- Color night vision (0.006 to 0.09 lx)
- H.265 Smart Coding
- ClearSight Coating
- Wide range tilt angle adjustment mechanism



# SPECIFICATIONS

Camera	
Image Sensor	1/3 type CMOS image sensor
Minimum Illumination	Color : 0.09 lx, BW : 0.04 lx (F2.2, Maximum shutter : Off (1/30s), AGC : 11) Color : 0.006 lx, BW : 0.003 lx (F2.2, Maximum shutter : max. 16/30s, AGC : 11)
Intelligent Auto	On / Off
Maximum Shutter	Max.1/10000s to Max.16/30s
Super Dynamic	On / Off, the level can be set in the range of 0 to 31.
Dynamic Range	Max.108 dB typ. (Super Dynamic : On, level : 31)
Image Settings	Gain (AGC), White balance
Image Compensation	Adaptive black stretch, Back light compensation (BLC), High light compensation (HLC), Fog compensation, Digital noise reduction
Color/BW (ICR)	Off / On / Auto1 (Normal) / Auto2 (IR Light) / Auto3 (SCC)
Video Motion Detection (VMD)	On / Off, 4 areas available
Privacy Zone	On / Off (up to 8 zones available)
Upside-down	On / Off
Camera Title (OSD)	On / Off, Up to 20 characters (alphanumeric characters, marks)
Adjusting angle	Camera 1, 2, 3 : Horizontal (PAN) angle : 360 ° Vertical (TILT) angle : +30 ° to + 80 ° Azimuth (YAW) angle : ±50 ° Camera 4 : Horizontal (PAN) angle : 360 ° Vertical (TILT) angle : -15 ° to + 80 ° Azimuth (YAW) angle : ±50 ° *The above is the adjustable range of a single camera. The adjustable range of each camera varies according to the positional relationship with other cameras.
Lens	
Zoom Ratio	1.8x Optical (Manual zoom / Manual focus)
Digital (electronic) zoom	Choose from 3 levels of x1, x2, x4
Focal length	3.2 mm – 5.7 mm {1/8 inches - 7/32 inches}
Maximum Aperture Ratio	1 : 2.2 (WIDE) – 1 : 3.1 (TELE)
Focus range	1.5 m {4.92 feet} – ∞
Angular Field of View	[16 : 9] Horizontal : 53 ° (TELE) – 99 ° (WIDE) Vertical : 30 ° (TELE) – 54 ° (WIDE) [ 4 : 3] Horizontal : 44 ° (TELE) – 81 ° (WIDE) Vertical : 33 ° (TELE) – 60 ° (WIDE)
Browser GUI	
Camera Control	Brightness

GUI / Setup Menu Language	English, Italian, French, German, Spanish, Portuguese, Russian, Chinese, Japanese
---------------------------	---

Network	
Network IF	10Base-T / 100Base-TX / 1000Base-T, RJ45 connector
Resolution with one lens	[16 : 9 mode] 1920 x 1080 / 1280 x 720 / 640 x 360 / 320 x 180 [ 4 : 3 mode] 1600 x 1200 / 1280 x 960 / 640 x 480 / 320 x 240
H.265/H.264	[Transmission Mode] Constant bit rate / VBR / Frame rate / Best effort [Transmission Type] Unicast / Multicast
JPEG	[Image Quality] 10 steps
Smart Coding	GOP (Group of pictures) control : On (Frame rate control)* / On (Advanced)* / On (Mid) / On (Low) / Off *On (Frame rate control) and On (Advanced) are only available with H.265. Auto VIQS : On / Off
Supported Protocol	IPv6 : TCP/IP, UDP/IP, HTTP, HTTPS, FTP (Server), SMTP, DNS, NTP, SNMP, DHCPv6, RTP, MLD, ICMP, ARP, IEEE 802.1X, DiffServ IPv4 : TCP/IP, UDP/IP, HTTP, HTTPS, RTSP, RTP, RTP/RTCP, FTP (Server), SMTP, DHCP, DNS, DDNS, NTP, SNMP, UPnP, IGMP, ICMP, ARP, IEEE 802.1X, DiffServ
Maximum concurrent access number	Up to 24 users (Depends on network conditions)
SDXC/SDHC/SD Memory Card (Option)	H.265 / H.264 recording : Manual REC / Alarm REC (Pre/Post) / Schedule REC / Backup upon network failure Compatible SDXC/SDHC/SD card : Panasonic 2 GB, 4 GB*, 8 GB*, 16 GB*, 32 GB*, 64 GB**, 128 GB**, 256 GB**model *SDHC card, ** SDXC card (except miniSD card and microSD card)
Mobile Terminal Compatibility	iPad / iPhone, Android™ terminals

Alarm	
Alarm Source	VMD alarm, Command alarm
Alarm Actions	SDXC/SDHC/SD memory recording, E-mail notification, HTTP alarm notification, Indication on browser, Panasonic alarm protocol output

General	
Safety	UL (UL60950-1), c-UL (CSA C22.2 No.60950-1), CE, IEC60950-1
EMC	FCC (Part15 ClassA), ICES003 ClassA, EN55032 ClassB, EN55024
Power Source and Power Consumption	PoE (IEEE802.3af compliant) Device : DC 48 V 210 mA/Approx. 10.1 W (Class 0 device)
Ambient Operating Temperature	-40 °C to +60 °C {-40 °F to +140 °F} {Power On range : -20 °C to +60 °C (-4 °F to +140 °F)}
Ambient Operating Humidity	10 to 100 % (no condensation)
Water and Dust Resistance	IP66 (IEC60529), Type 4X (UL50), NEMA 4X compliant
Shock Resistance	IK10 (IEC62262)
Dimensions	When using the attachment plate only : ø230 mm x 196 mm (H) {ø9-1/16 inches x 7-23/32 inches (H)}, Dome radius 80 mm {3-5/32 inches} When using the base bracket : ø230 mm x 232 mm (H) {ø9-1/16 inches x 9-1/8 inches (H)}, Dome radius 80 mm {3-5/32 inches}
Mass (Approx.)	When using the attachment plate only : Approx. 2.7 kg {5.95 lbs} When using the base bracket : Approx. 3.2 kg {7.05 lbs}

---

Finish

Main body : Aluminum die cast, Light gray.  
Outer fixing screws : Stainless steel (Corrosion-resistant treatment)  
Dome cover : Polycarbonate resin (with ClearSight coating), Clear

---

## NOTES

### Important

- Safety Precautions : Carefully read the Basic Information, Installation Guide and Operating Instructions before using this product.
- i-PRO Co., Ltd. cannot be held responsible for the performance of the network and/or other manufacturers' products used on the network.
- Masses and dimensions are approximate. Specifications are subject to change without notice.

### Trademarks and registered trademarks

- iPad and iPhone are trademarks of Apple Inc., registered in the U.S. and other countries. - Android is a trademark of Google LLC.
- ONVIF is a trademark of ONVIF, Inc.
- All other trademarks identified herein are the property of their respective owners

©i-PRO Co., Ltd All rights reserved / November 2022

## OPTIONAL ACCESSORIES

Select a compatible accessory

[Accessory Selector \(i-pro.com\)](http://i-pro.com).



WV-Q185  
Mount Bracket



WV-Q187  
Mount Bracket



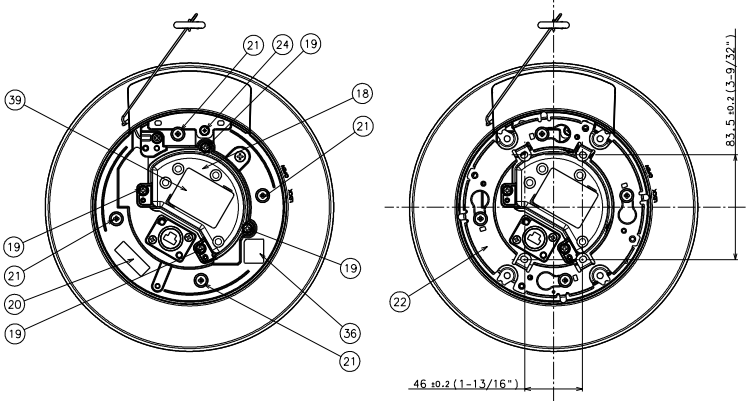
WV-Q182  
Mount Bracket



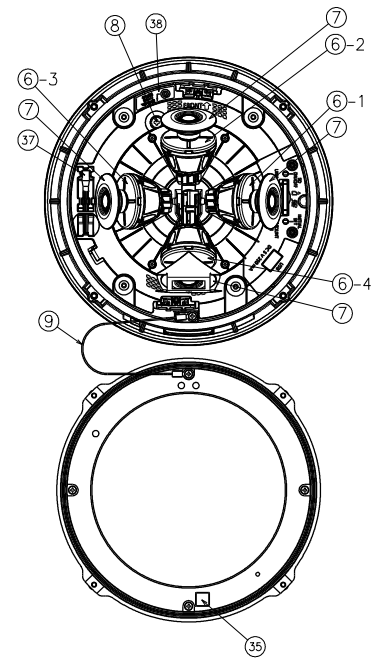
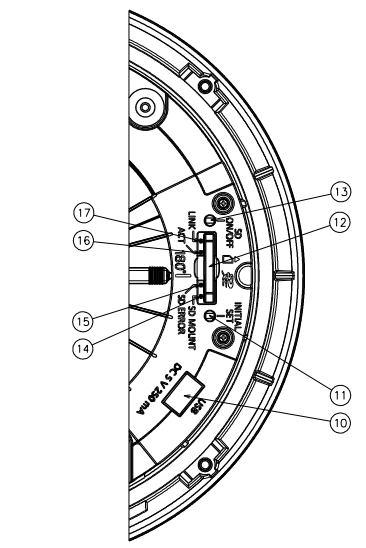
WV-Q183  
Mount Bracket



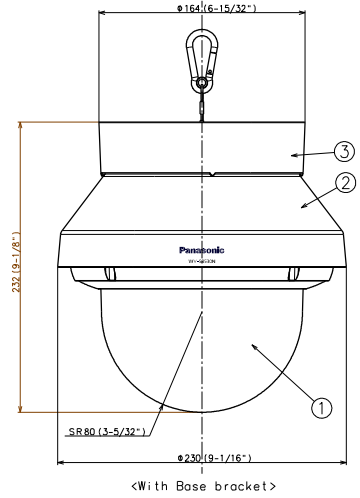
WV-Q178  
Mount Bracket



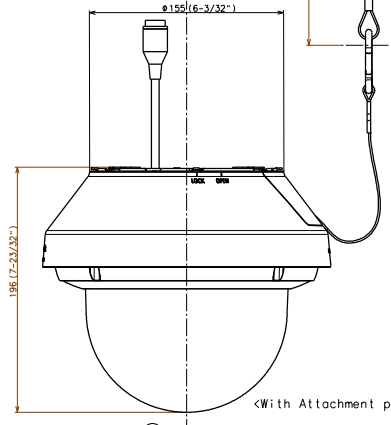
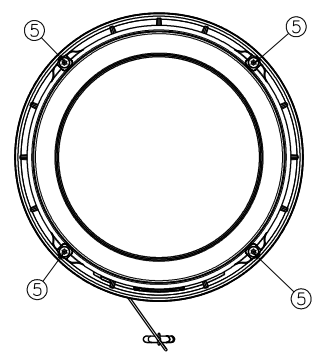
<With Attachment plate>



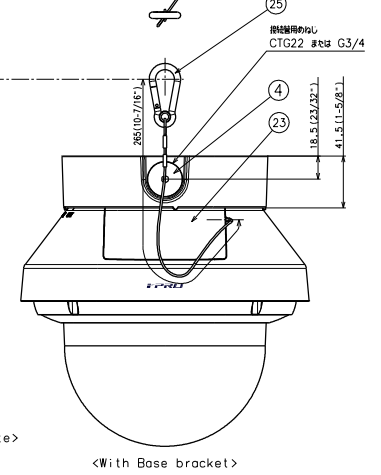
No.	Part Name	Material	Process/Remark
1	ドームカバー	PC(Clear)	Clear/Slight cooling
2	下蓋	Aluminium die cast	Coating (Light Gray) -Printing
3	ベースブラケット	Aluminium die cast	Coating (Light Gray)
4	導線固定用キャップ	PA	Coating (Light Gray)
5	ドームカバー固定ネジ	Stainless Steel	Corrosion-resistant treatment
6-1	カメラユニット 1		
6-2	カメラユニット 2		
6-3	カメラユニット 3		
6-4	カメラユニット 4		
7	遮光リング	Silicone rubber	
8	カメラ固定ネジ	Stainless Steel	Corrosion-resistant treatment
9	補助ワイヤ	Stainless Steel	
10	USB端子		
11	INITIAL SETボタン		
12	SD窓		
13	SD ON/OFFボタン		
14	SD MOUNTインジケータ		
15	SD ERRORインジケータ		
16	ACTインジケータ		
17	LINKインジケータ		
18	ケーブルカバー	PC	Black
19	ケーブルカバー固定ネジ	Stainless Steel	Corrosion-resistant treatment
20	コードラベル	Polyester Film	Printing
21	取り付けブラケット固定ネジ	Stainless Steel	Corrosion-resistant treatment
22	取り付けプレート	Stainless Steel	
23	リアカバー	PC/ABS	Coating (Light Gray)
24	リアカバー固定ネジ	Stainless Steel	Corrosion-resistant treatment
25	安全ワイヤ	Stainless Steel	
26	延長安全ワイヤ	Stainless Steel	
27	除湿装置		
28	RJ45ネットワークケーブル		
29	ズームロックノブ		
30	ズームロックノブ		
31	銘板	Polyester Film	Printing
32	シリアル番号ラベル	Polyester Film	Printing
33	目撃者シール	Polyester Film	Printing
34	カメラ番号ラベル	Polyester Film	Printing
35	ドットマトリクスラベル	Polyester Film	Printing
36	FCラベル	Polyester Film	Printing
37	補助ハンズ	PC	Black
38	説明ラベル	Polyester Film	Printing
39	説明ラベル	Polyester Film	Printing



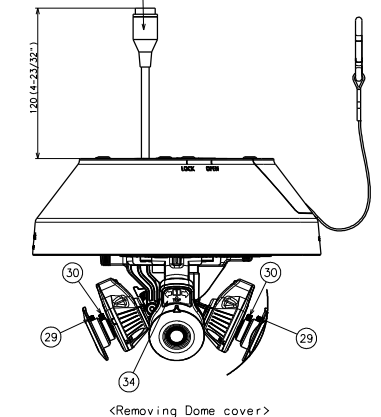
<With Base bracket>



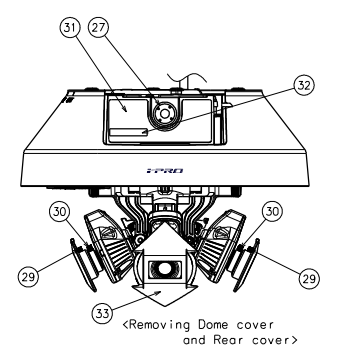
<With Attachment plate>



<With Base bracket>



<Removing Dome cover>



<Removing Dome cover and Rear cover>

	投影面積/Projected area	
	(With Base bracket)	(Without Base bracket)
正面図/Front-view	0.038 m <sup>2</sup>	0.032 m <sup>2</sup>
側面図/Side-view		
上面図/Top-view	0.041 m <sup>2</sup>	